



US00D433000S

# United States Patent [19] Frye

[11] **Patent Number: Des. 433,000**

[45] **Date of Patent: \*\* Oct. 31, 2000**

[54] **HANDHOLE LID**  
[75] Inventor: **James Wesley Frye**, Kingston, Okla.

D. 390,825 2/1998 Chen ..... D13/184  
4,496,067 1/1985 Benscoter ..... 220/3.3 X  
5,317,462 5/1994 Kakizaki ..... 174/52.3 X

[73] Assignee: **Lightwave Spectrum International Inc.**, Chantilly, Va.

*Primary Examiner*—Brian N. Vinson  
*Attorney, Agent, or Firm*—Swidler Berlin Shereff Friedman LLP

[\*\*] Term: **14 Years**

### [57] CLAIM

[21] Appl. No.: **29/109,018**

The ornamental design for a handhole lid, as shown.

[22] Filed: **Aug. 9, 1999**

### DESCRIPTION

[51] **LOC (7) Cl.** ..... **13-99**

[52] **U.S. Cl.** ..... **D13/184**

[58] **Field of Search** ..... D13/184, 173,  
D13/152, 156, 199; D99/28, 99; 174/48,  
50, 50.51, 58; 361/600, 601, 602, 623,  
641; 220/3.2, 3.3, 3.8

FIG. 1 is a top, front, and left side perspective view of a handhole lid showing my new design, the broken-line disclosure being for illustrative purposes only and forming no part of the claimed design;

FIG. 2 is an enlarged top plan view thereof;

FIG. 3 is an enlarged bottom plan view thereof;

FIG. 4 is an enlarged front elevational view thereof;

FIG. 5 is an enlarged rear elevational view thereof;

FIG. 6 is an enlarged left side elevational view thereof; and,

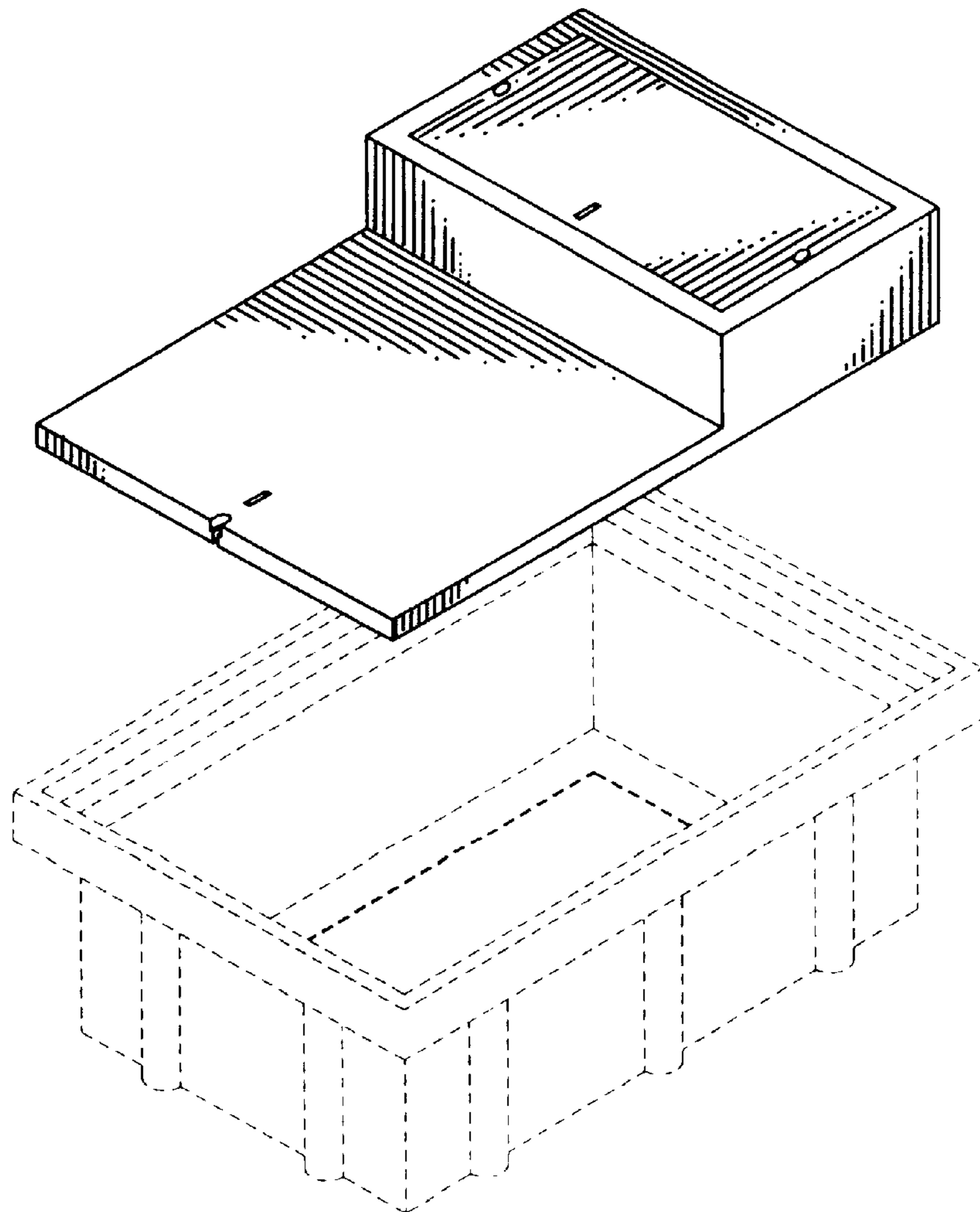
FIG. 7 is an enlarged right side elevational view thereof.

### [56] References Cited

#### U.S. PATENT DOCUMENTS

D. 270,232 8/1983 Leong ..... D13/156  
D. 305,420 1/1990 Bujak, Jr. et al. .... D13/177  
D. 332,088 12/1992 Nimpoeno et al. .... D13/184

**1 Claim, 4 Drawing Sheets**



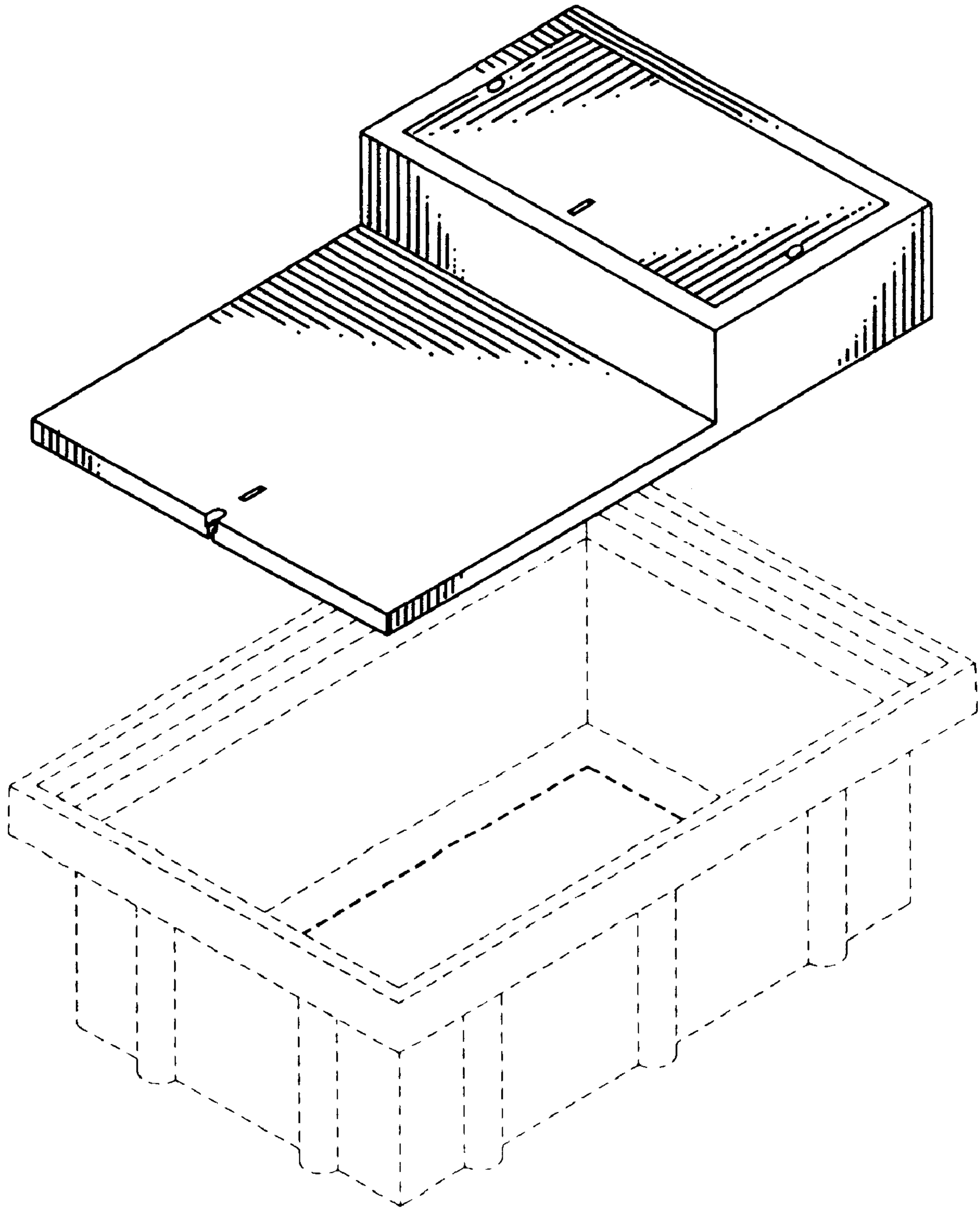


FIGURE - 1

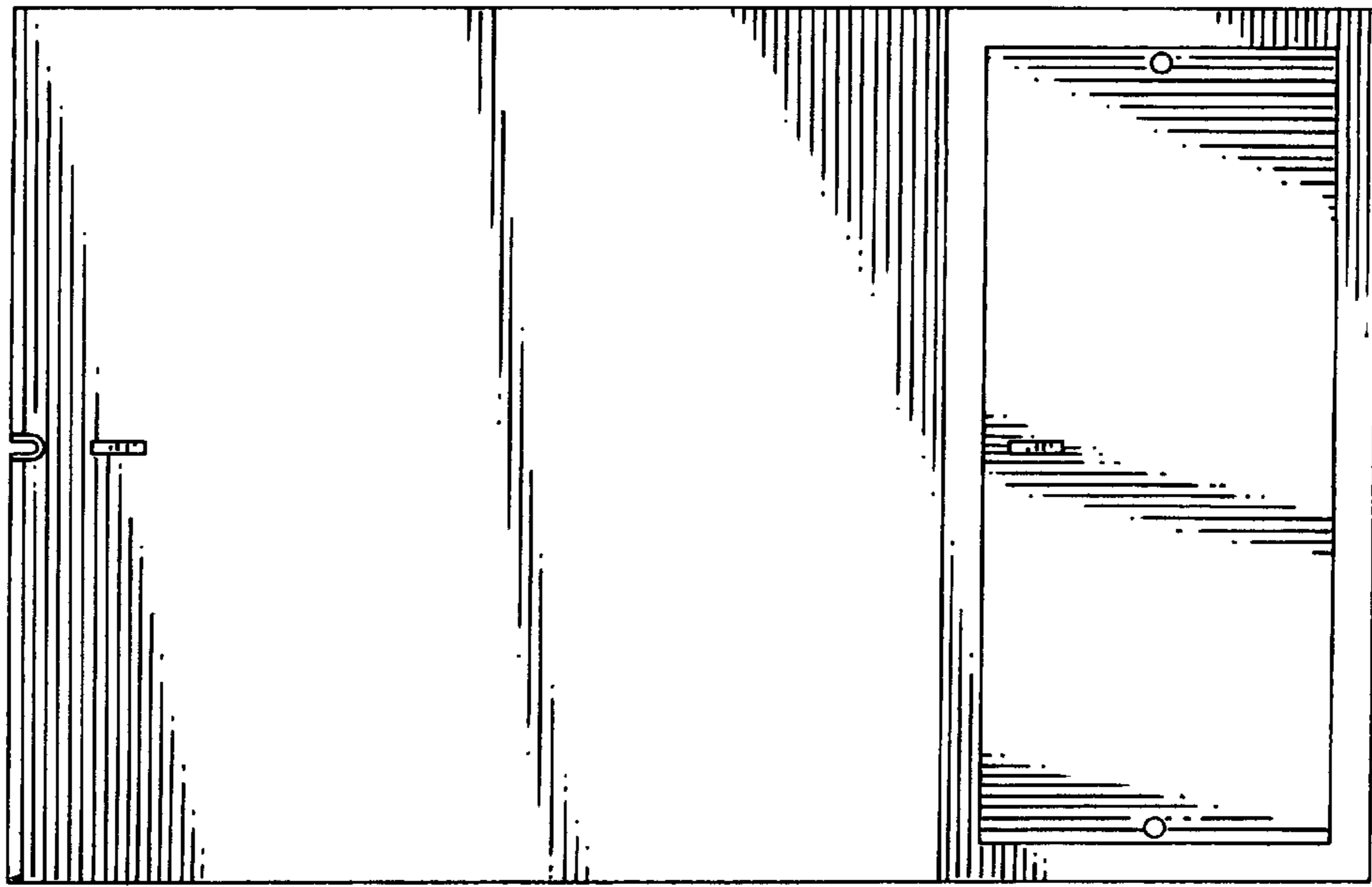


FIGURE - 2

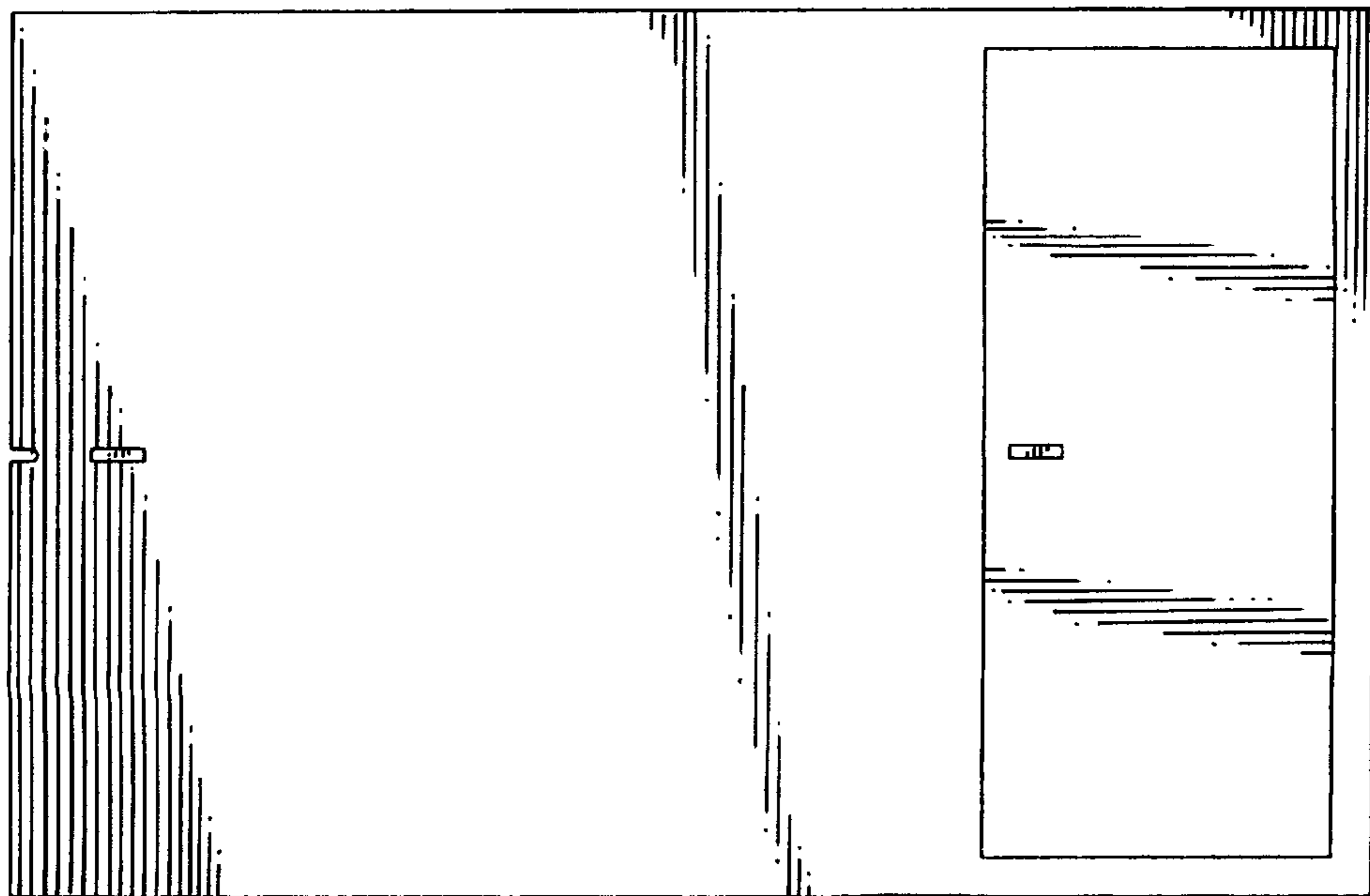


FIGURE - 3

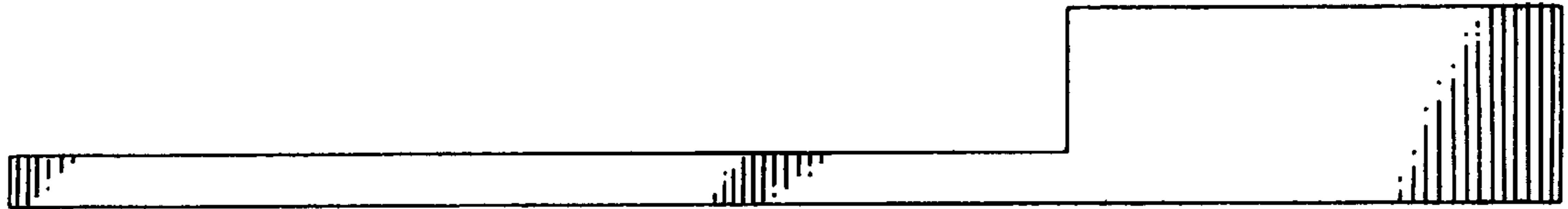


FIGURE - 4

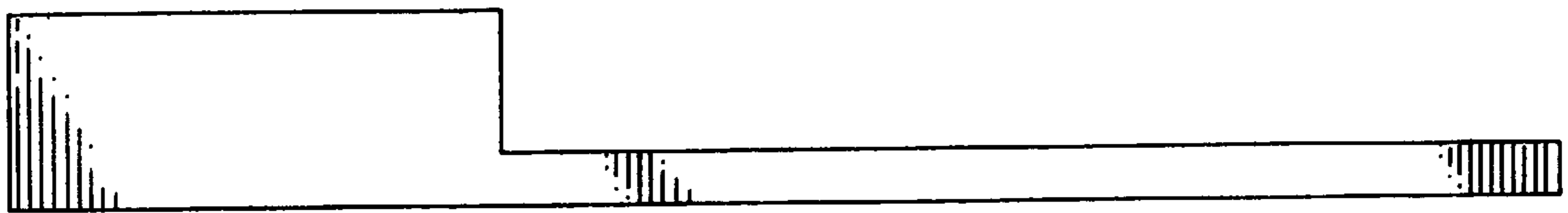


FIGURE - 5

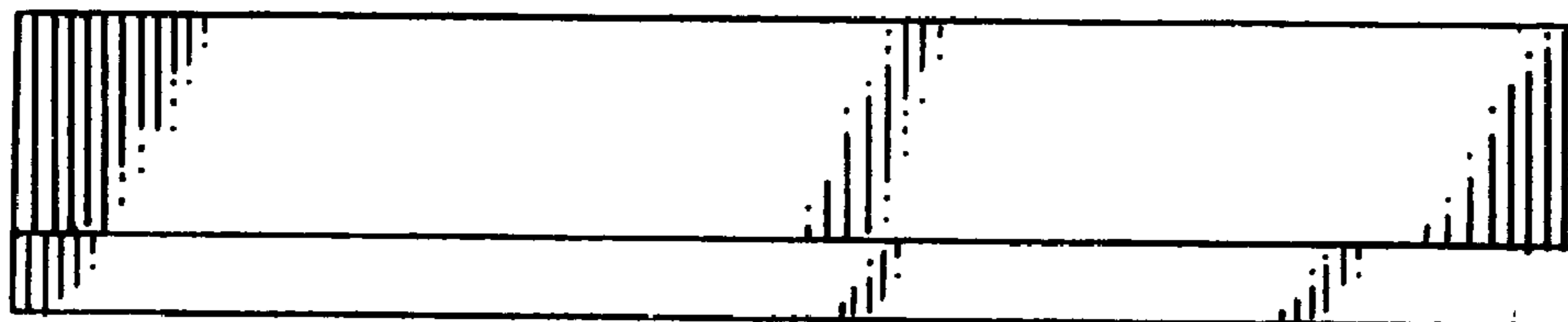


FIGURE - 6

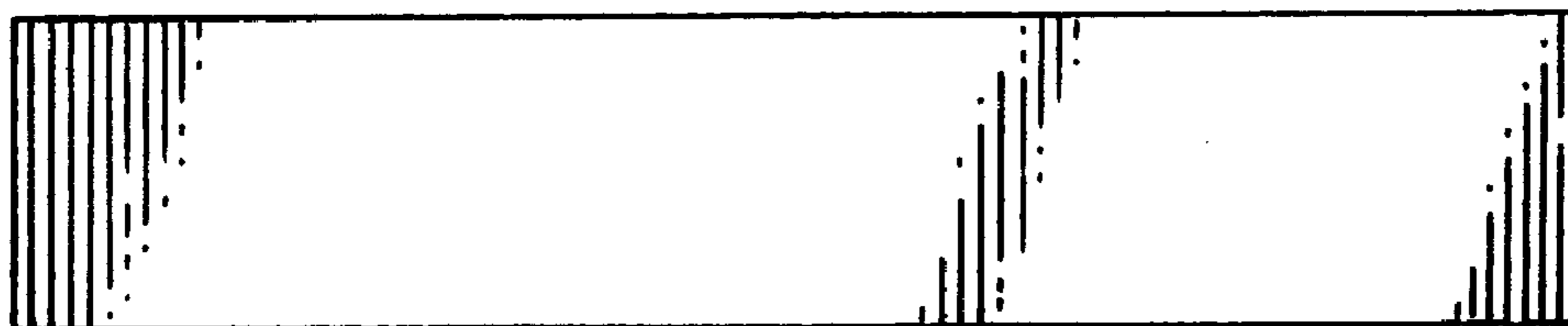


FIGURE - 7