



US00D432998S

United States Patent [19]

Decosse

[11] Patent Number: Des. 432,998

[45] Date of Patent: ** Oct. 31, 2000

[54] **BUTTON**

[75] Inventor: **Jean Decosse**, Girens, France

[73] Assignee: **Schneider Electric SA**, Boulogne Billancourt, France

[**] Term: **14 Years**

[21] Appl. No.: **29/105,172**

[22] Filed: **May 19, 1999**

[30] Foreign Application Priority Data

Nov. 19, 1998 [FR] France 98 6760

[51] **LOC (7) Cl.** **13-03**

[52] **U.S. Cl.** **D13/174**

[58] **Field of Search** D13/174, 171;
200/237, 238, 252, 275, 293, 329, 254,
282, 333, 341

[56] References Cited

U.S. PATENT DOCUMENTS

D. 233,892 12/1974 Kay D13/174
D. 297,727 9/1988 Saito D13/174

D. 362,841 10/1995 Roza D13/171
4,590,342 5/1986 Schlegel 200/341 X
5,055,643 10/1991 Pardini 200/341 X
5,495,081 2/1996 Ipcinski 200/341 X

Primary Examiner—Brian N. Vinson
Attorney, Agent, or Firm—Oblon, Spivak, McClelland,
Maier & Neustadt, P.C.

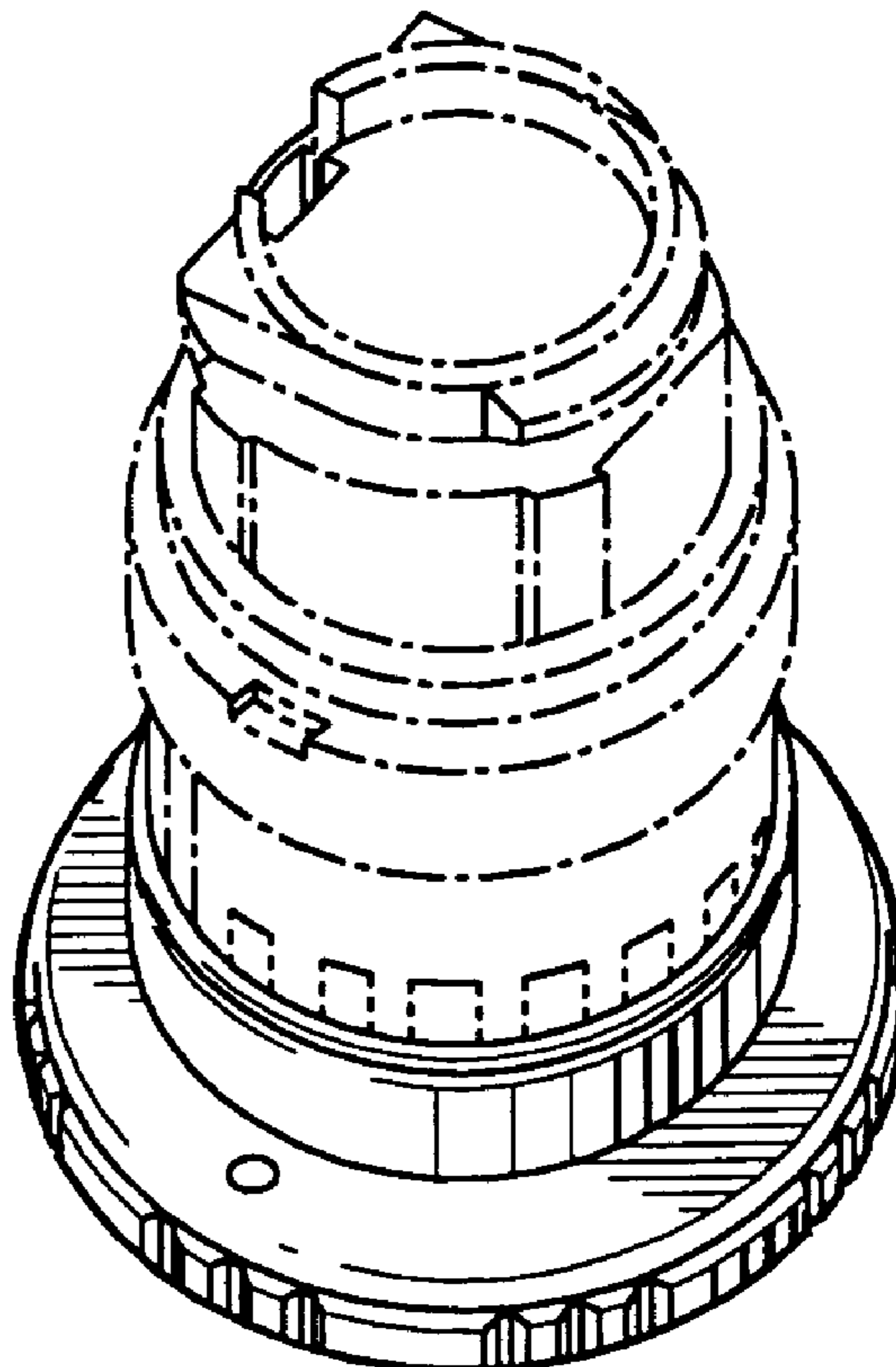
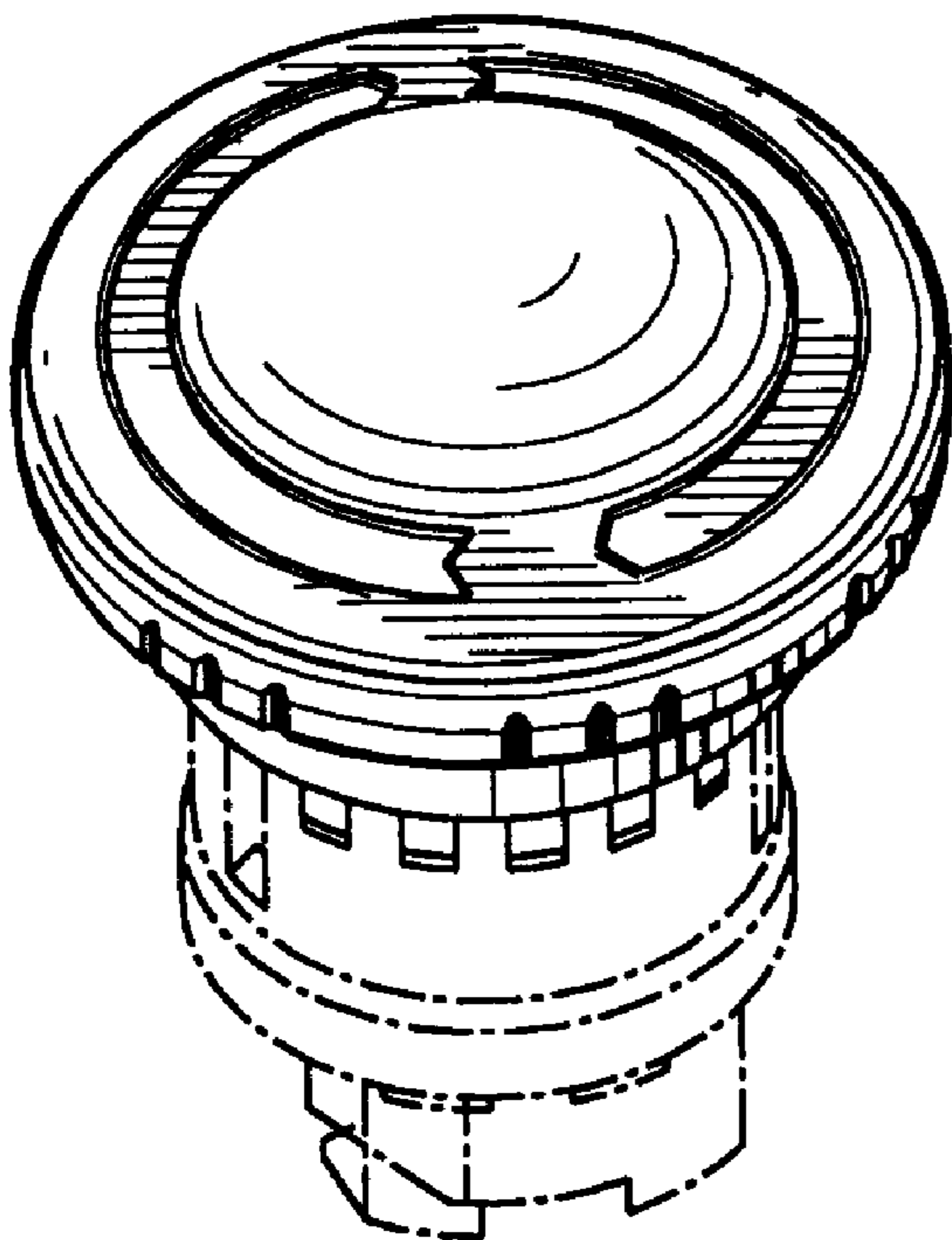
[57] CLAIM

The ornamental design for a button, as shown and described.

DESCRIPTION

FIG. 1 is a front elevational view of button embodying the new design thereof;
FIG. 2 is a rear elevational view thereof;
FIG. 3 is a left side elevational view thereof, the right side view being a mirror image of the view shown;
FIG. 4 is a top plan view thereof;
FIG. 5 is a bottom plan view thereof;
FIG. 6 is a top, front, left perspective view thereof; and,
FIG. 7 is a bottom, rear, left perspective view thereof.
The phantom line showing in the figures is for illustrative purposes only and forms no part of the claimed design.

1 Claim, 4 Drawing Sheets



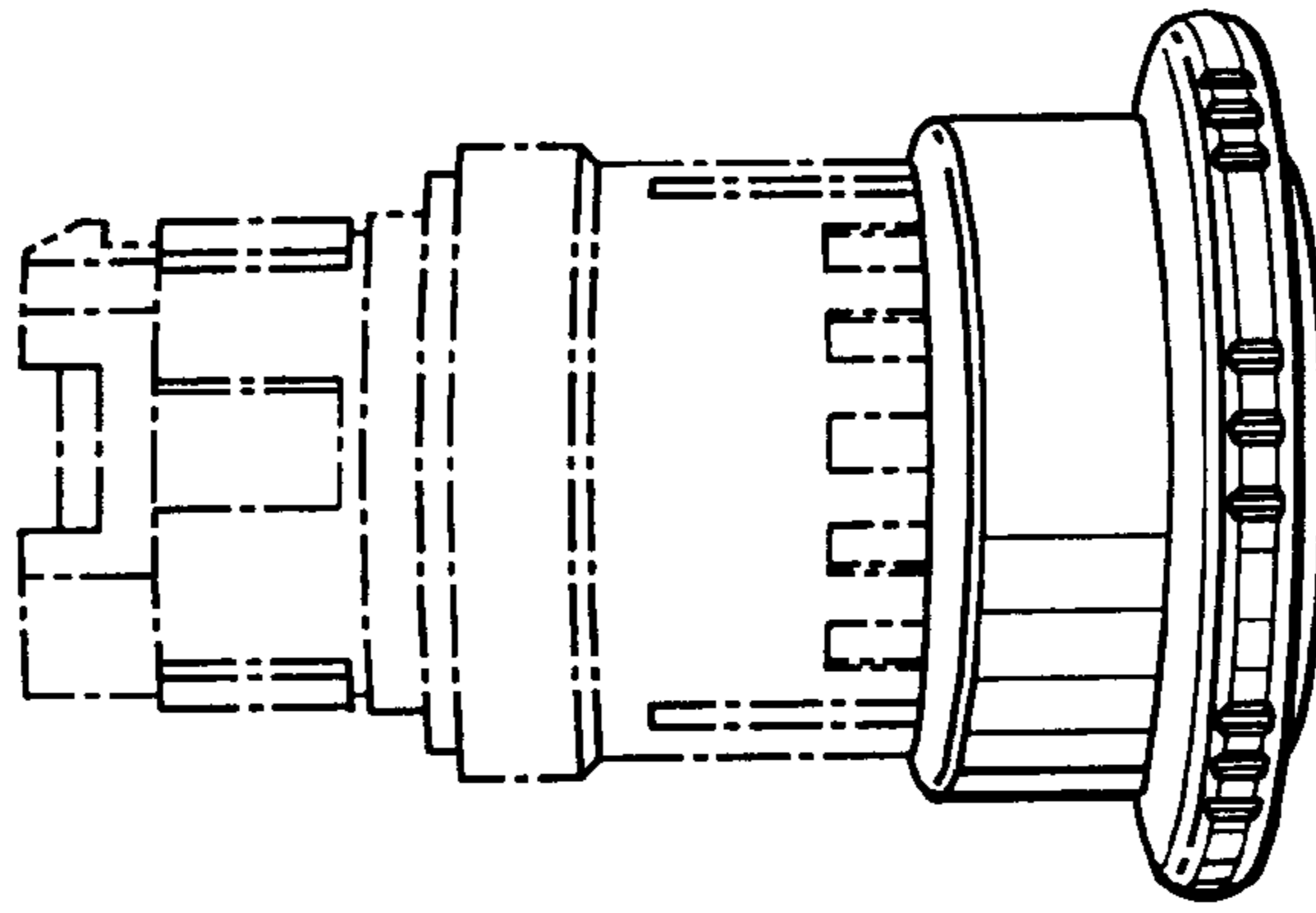


FIG. 1

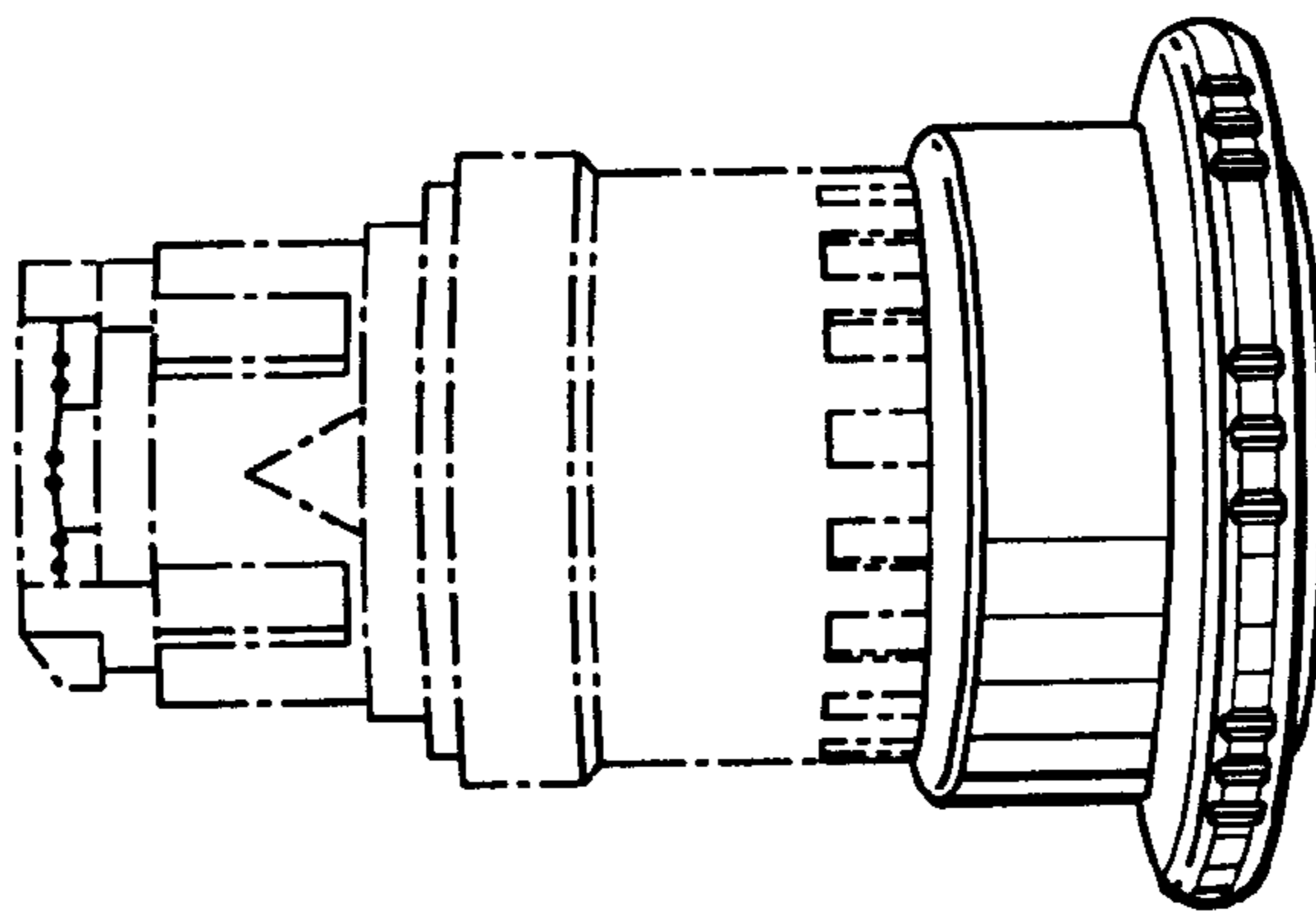


FIG. 2

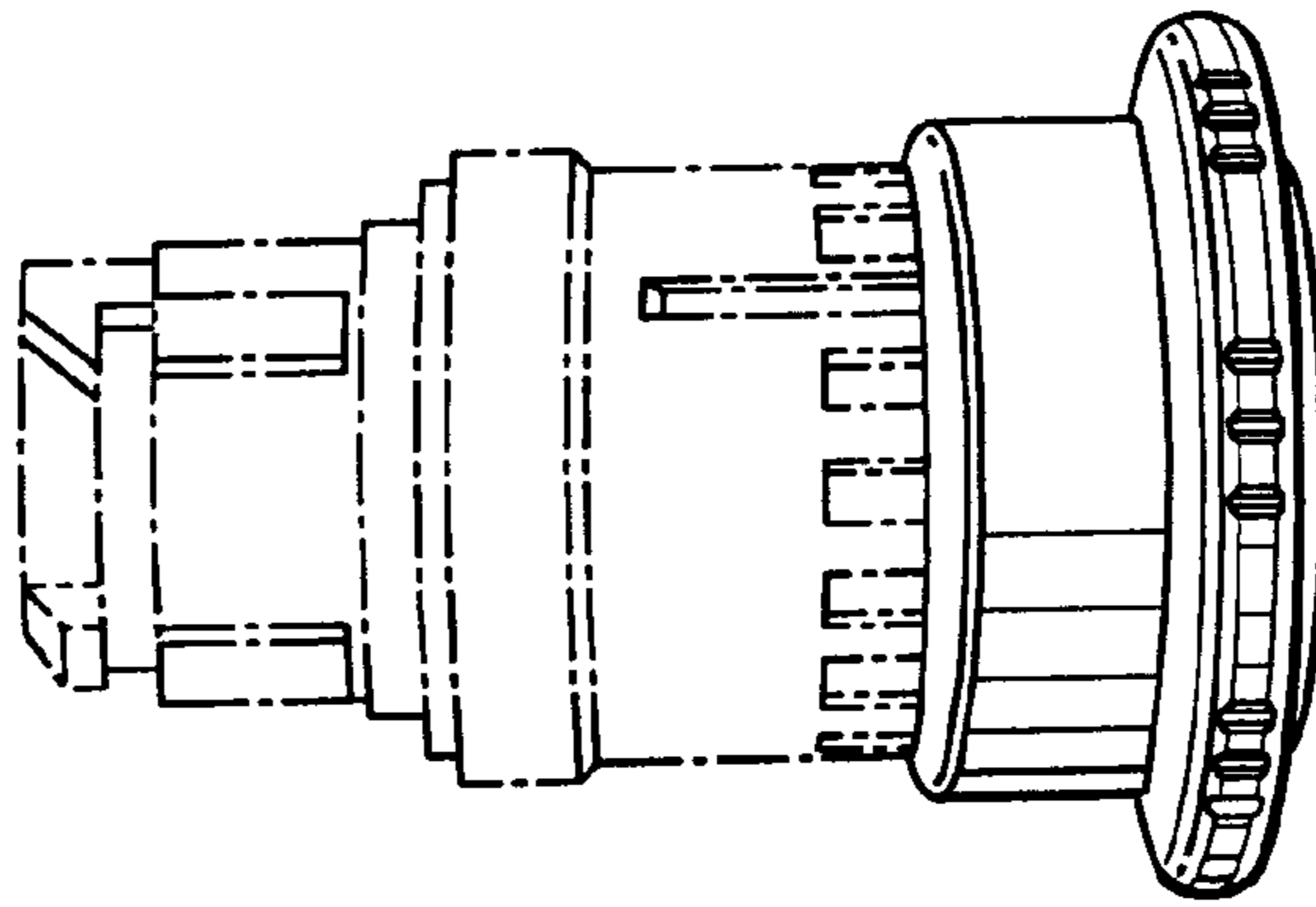


FIG. 3

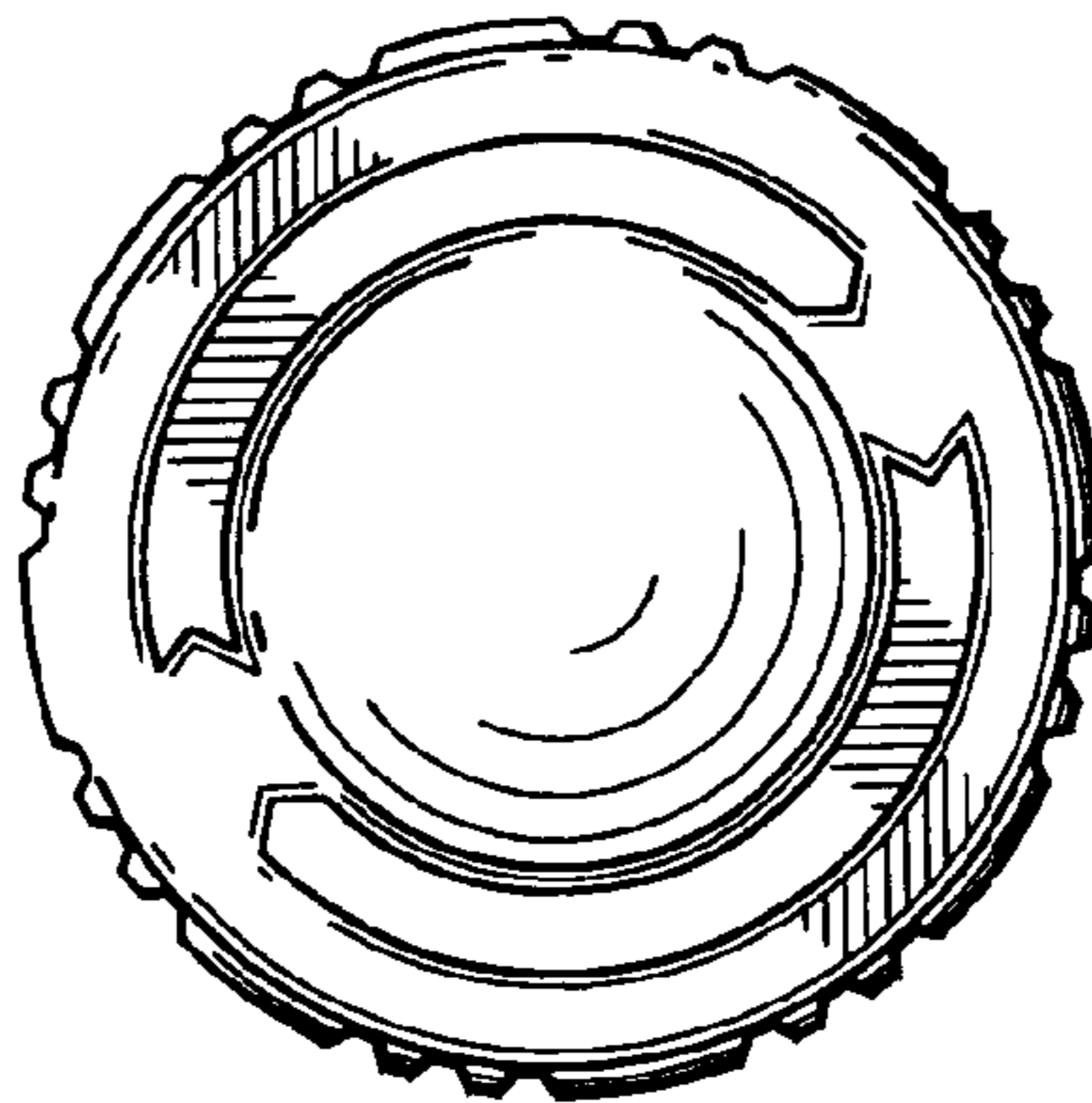


FIG. 4

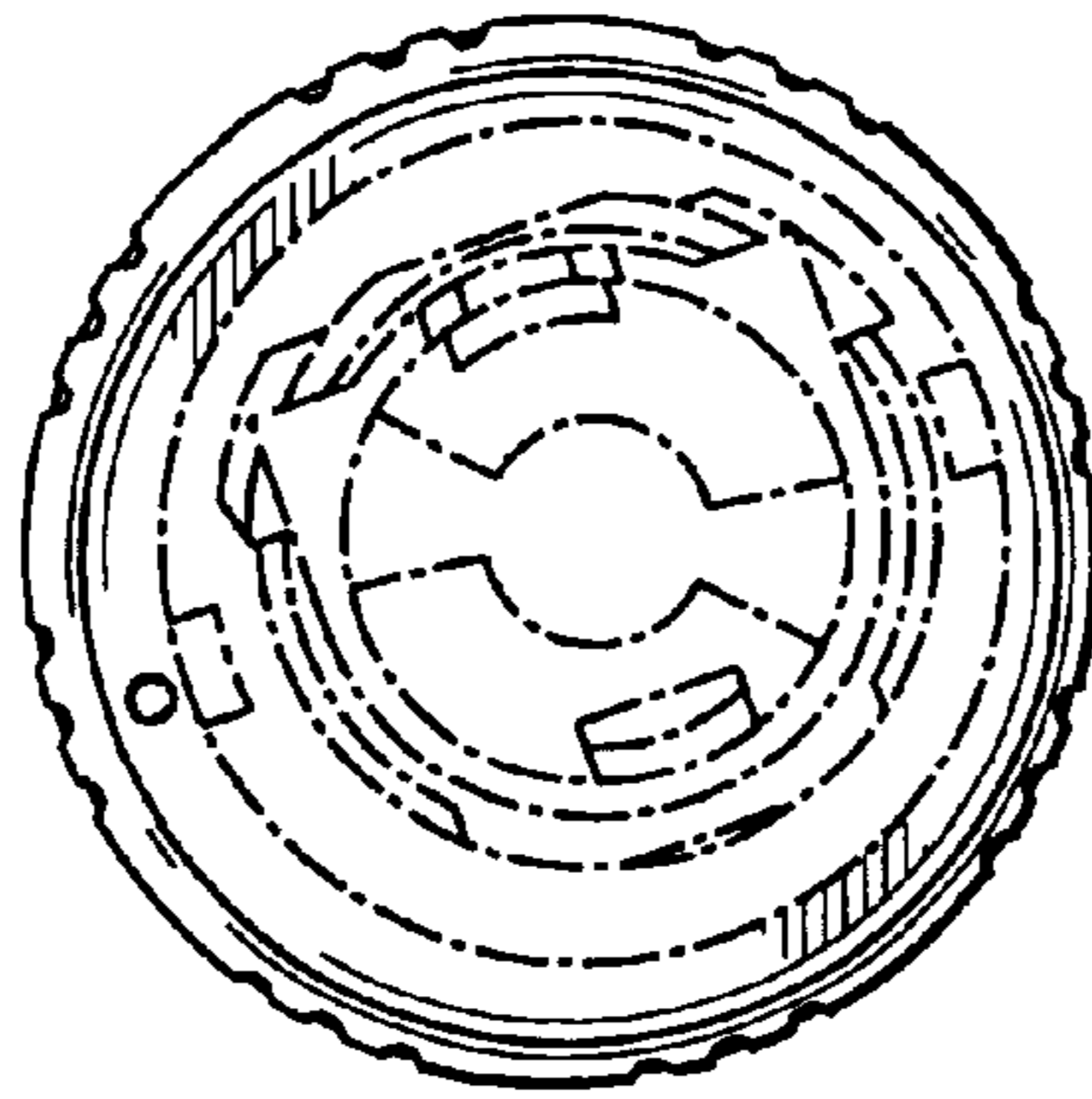


FIG. 5

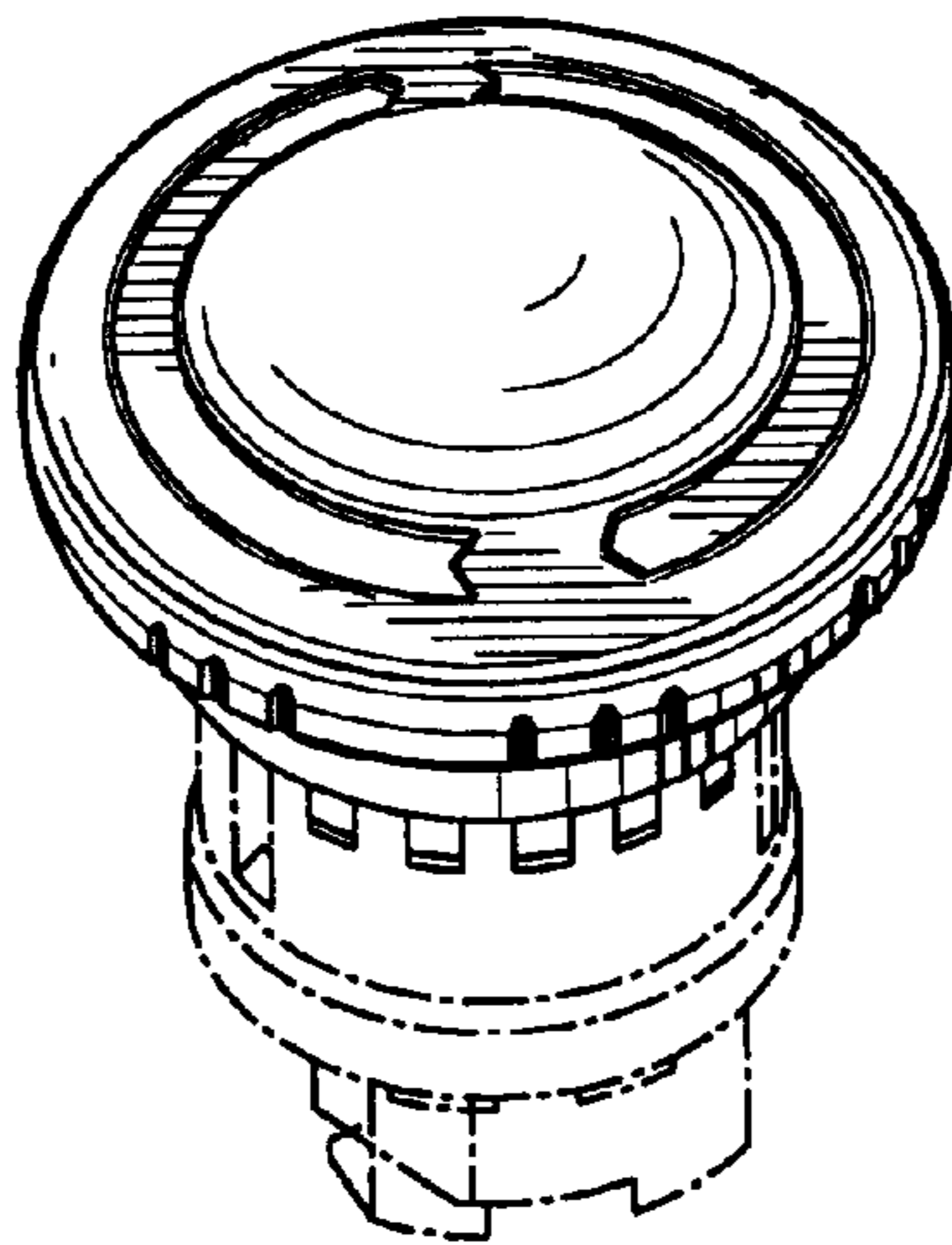


FIG. 6

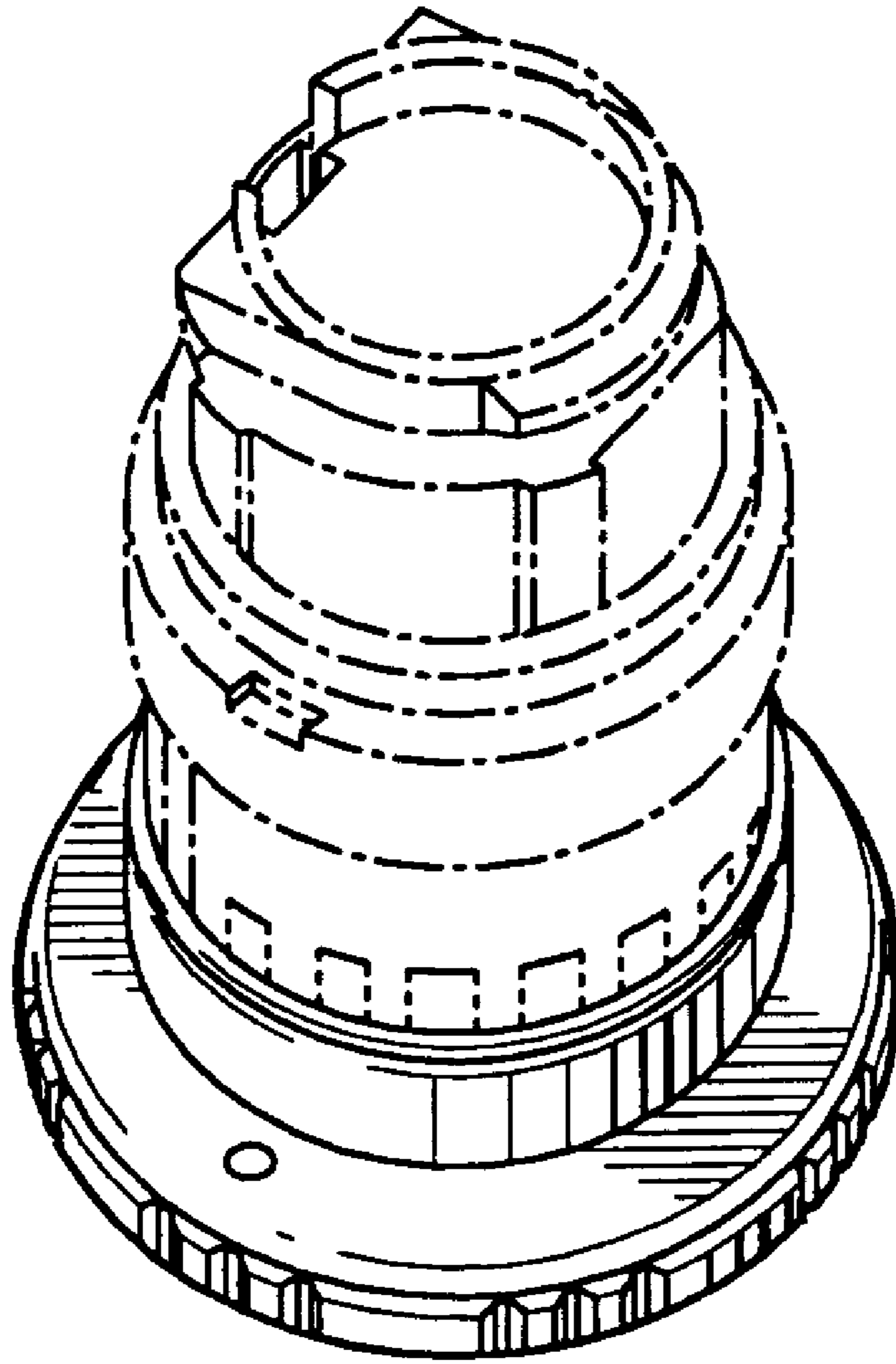


FIG. 7