



US00D432997S

United States Patent [19]
Bonn

[11] **Patent Number: Des. 432,997**
[45] **Date of Patent: ** Oct. 31, 2000**

[54] **FRONT ELEMENT FOR AN ELECTRICAL CONTROL AND SIGNALING UNIT**

D. 362,841 10/1995 Roza D13/171
D. 377,337 1/1997 Schaeffer D13/171

[75] Inventor: **Alfred Bonn**, Bonn, Germany

Primary Examiner—Brian N. Vinson
Attorney, Agent, or Firm—Kenyon & Kenyon

[73] Assignee: **Moeller GmbH**, Bonn, Germany

[57] **CLAIM**

[**] Term: **14 Years**

The ornamental design for a front element for an electrical control and signaling unit, as shown and described.

[21] Appl. No.: **29/099,186**

[22] Filed: **Jan. 15, 1999**

DESCRIPTION

[30] **Foreign Application Priority Data**

Jul. 15, 1998 [XH] Hague Agreement DM/044798

FIG. 1 is a top, front, and left side perspective view of a front element for an electrical control and signaling unit showing the first embodiment of my new design, the rear and right sides being identical in appearance; and,

[51] **LOC (7) Cl.** **13-03**

[52] **U.S. Cl.** **D13/174**

[58] **Field of Search** D13/174, 171;
200/237, 238, 252, 275, 293, 325

FIG. 2 is a top, front, and left side perspective view of a front element for an electrical control and signaling unit showing the second embodiment of my new design, the rear and right sides being identical in appearance.

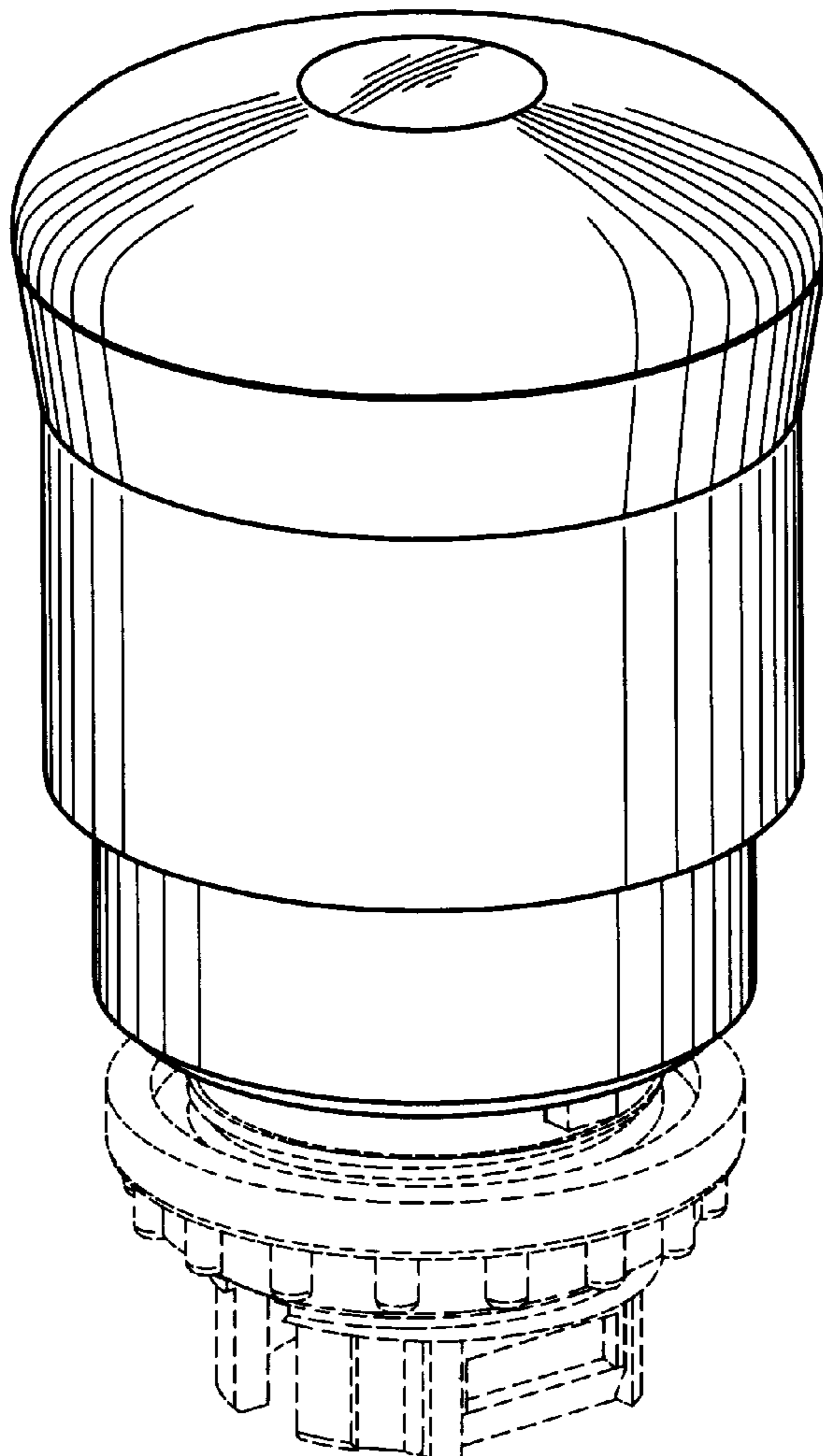
The broken-line showing of the electrical control and signaling unit in the views is for illustrative purposes only and forms no part of the claimed design.

[56] **References Cited**

U.S. PATENT DOCUMENTS

D. 344,930 3/1994 Schaeffer D13/171

1 Claim, 1 Drawing Sheet



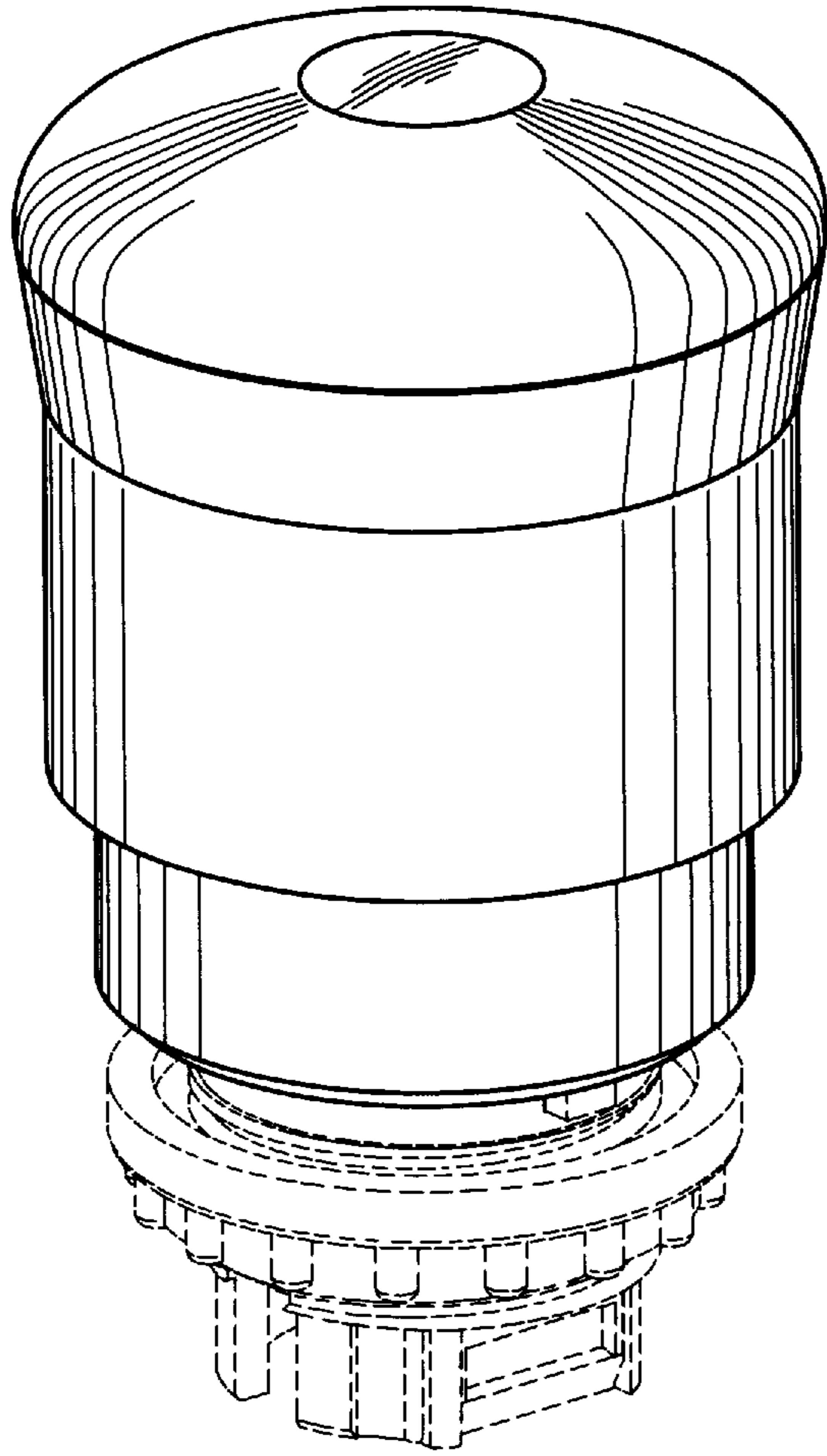


Fig. 1

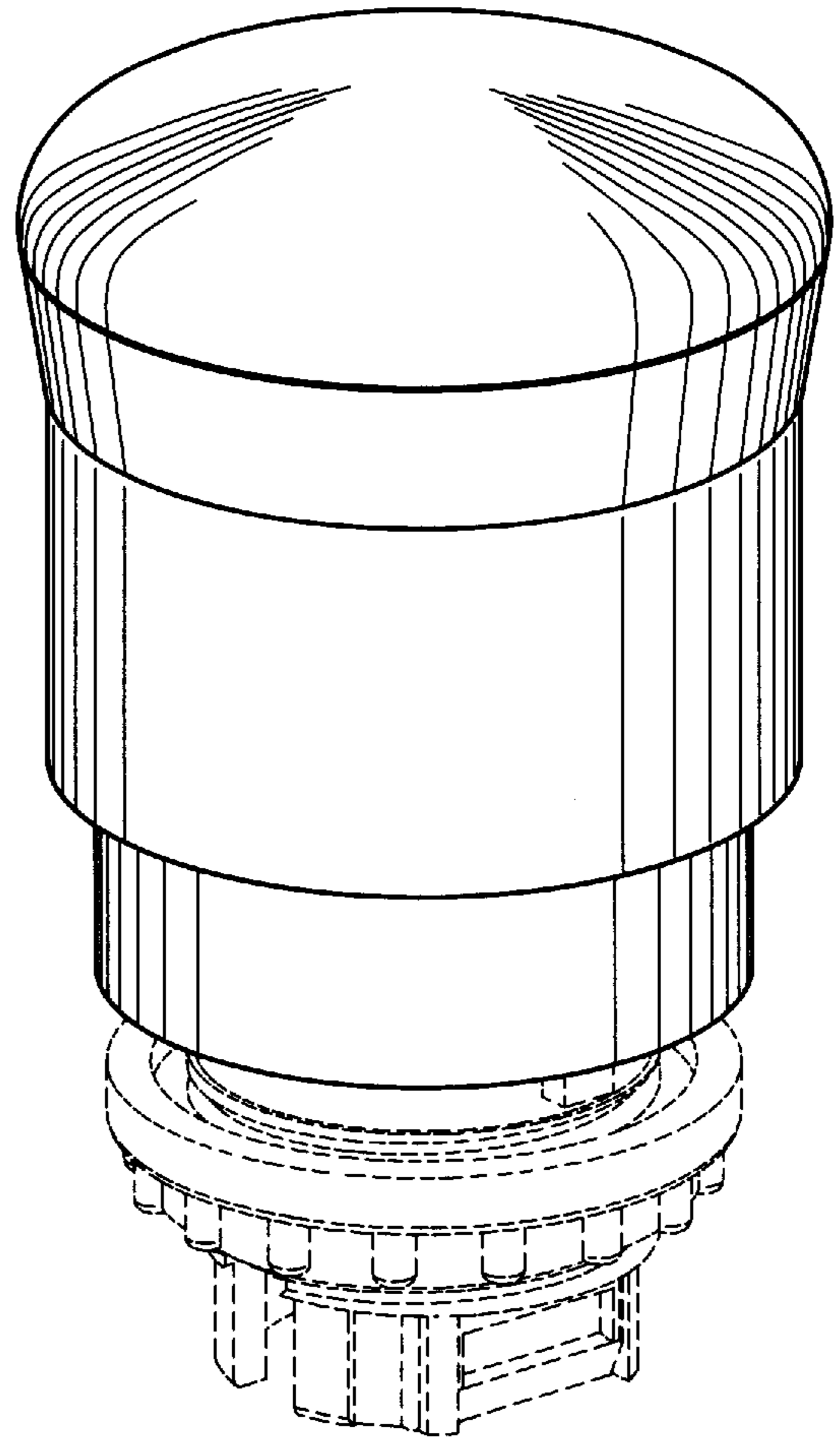


Fig. 2