



US00D432996S

United States Patent [19]

Monaco et al.

[11] Patent Number: **Des. 432,996**

[45] Date of Patent: **** Oct. 31, 2000**

[54] **SMALL CLOSING BOTTOM FOR AN INSTRUMENT CONTAINER FOR CONDITIONING AND REFRIGERATING UNITS**

[75] Inventors: **Frank Anthony Monaco**, Rome;
Stefano Dal Farra, Belluno, both of Italy

[73] Assignee: **Invensys Climate Controls SpA**, Via dell'Artigianto, Italy

[**] Term: **14 Years**

[21] Appl. No.: **29/113,662**

[22] Filed: **Nov. 10, 1999**

Related U.S. Application Data

[62] Division of application No. 29/100,168, Feb. 5, 1999.

Foreign Application Priority Data

Jul. 8, 1998 [XH] Hague Agreement DM/044877

[51] **LOC (7) Cl.** **13-03**

[52] **U.S. Cl.** **D13/162**

[58] **Field of Search** D10/46, 50, 57;
D13/162-164, 184; 62/89, 129, 180, 186,
187, 126, 127, 128, 130, 208, 230, 229,
408; 236/37, 94; 165/11.1; 364/184, 187

[56] References Cited

U.S. PATENT DOCUMENTS

D. 416,515	1/2000	Tucker et al.	D14/240
5,809,790	9/1998	Kwon	62/89
5,924,295	7/1999	Park	62/126
5,960,857	10/1999	Oswalt et al.	165/11.1
5,992,165	11/1999	Kim et al.	62/187

Primary Examiner—Antoine Duval Davis
Attorney, Agent, or Firm—Antonelli, Terry, Stout & Kraus, LLP

[57] CLAIM

The ornamental design for a small closing bottom for an instrument container for conditioning and refrigerating units, as shown.

DESCRIPTION

FIG. 1 is a perspective view of a small closing bottom for an instrument container for conditioning and refrigerating units;
FIG. 2 is a front view of the closing bottom of FIG. 1;
FIG. 3 is a rear view of the closing bottom of FIG. 1;
FIG. 4 is a top view of the closing bottom of FIG. 1;
FIG. 5 is a bottom view of the closing bottom of FIG. 1;
FIG. 6 is a first side view of the closing bottom of FIG. 1; and,
FIG. 7 is a second side view of the closing bottom of FIG. 1.

1 Claim, 3 Drawing Sheets

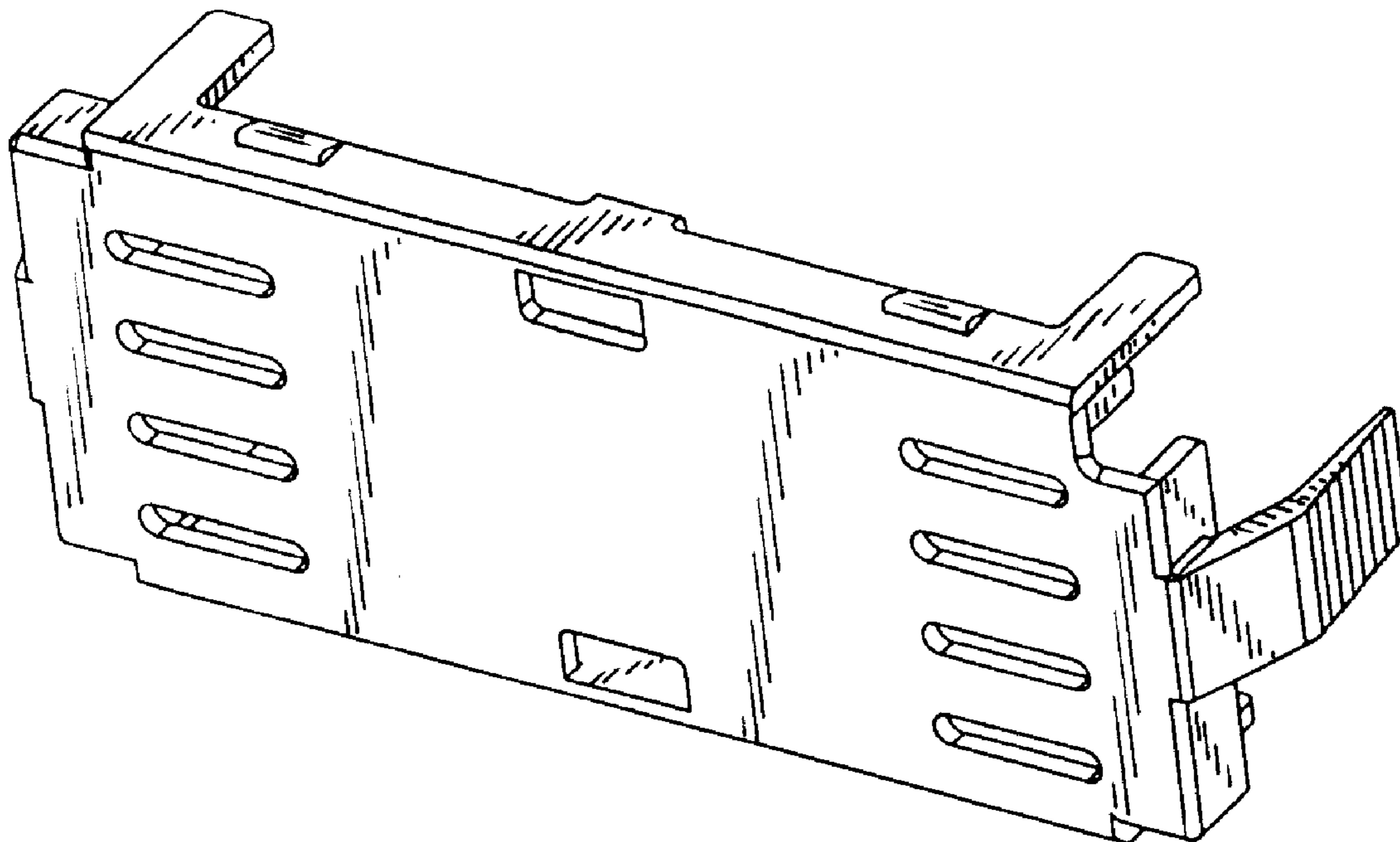


FIG. 1

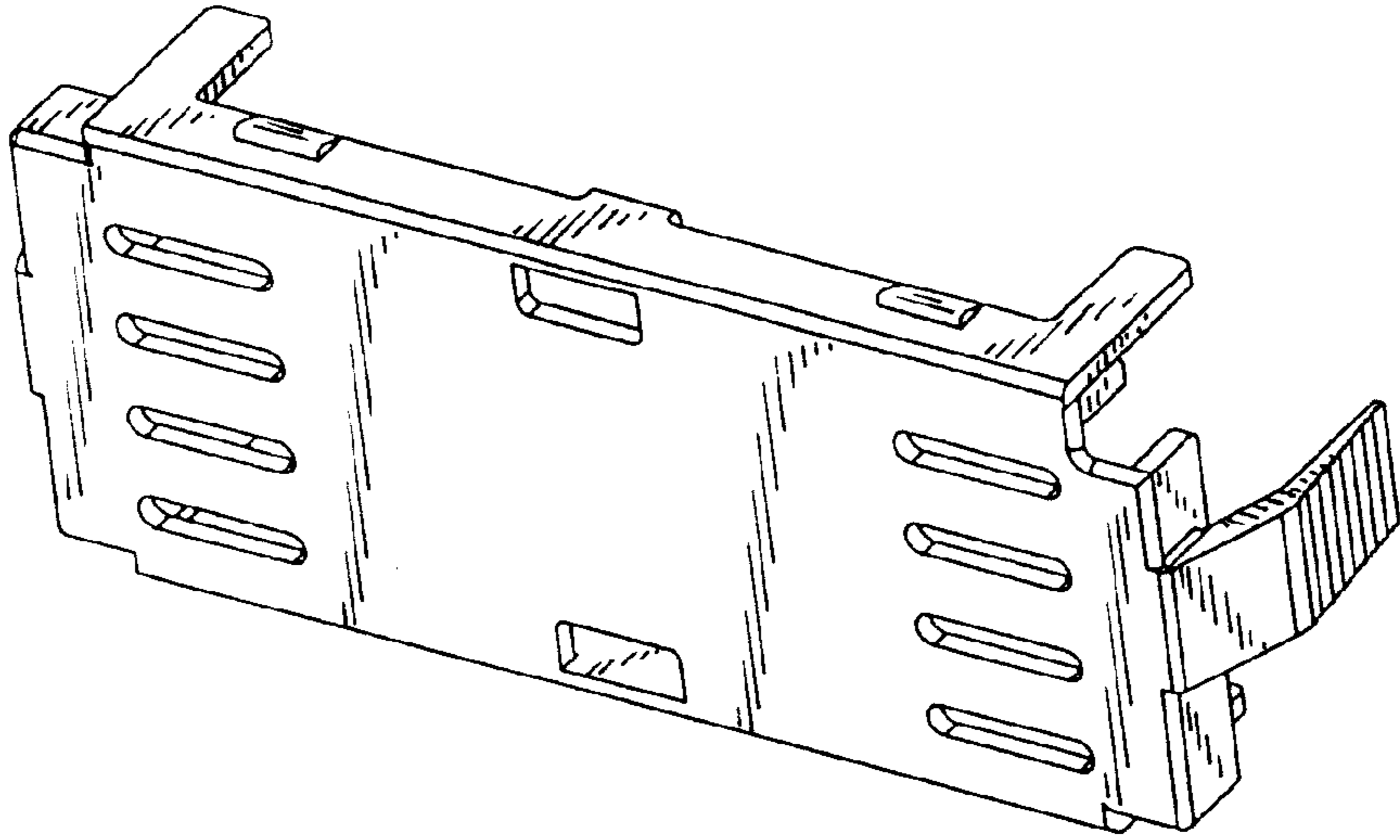


FIG. 2

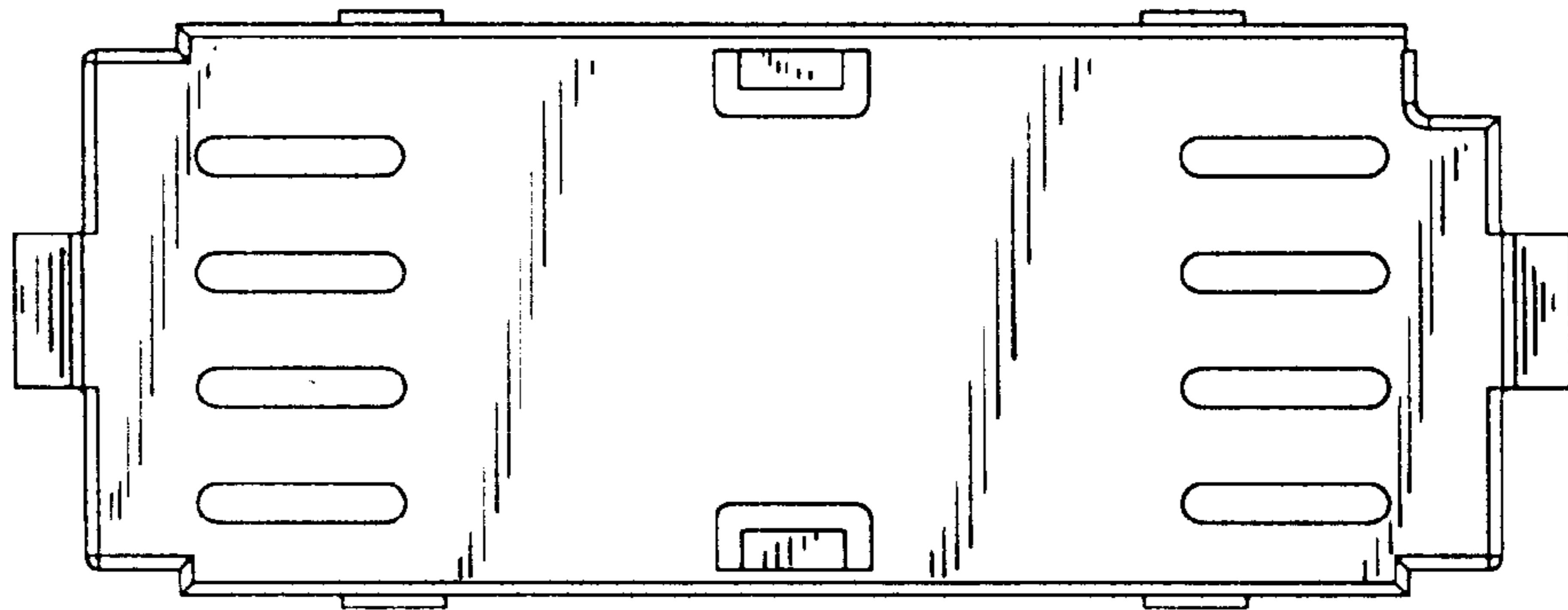


FIG. 3

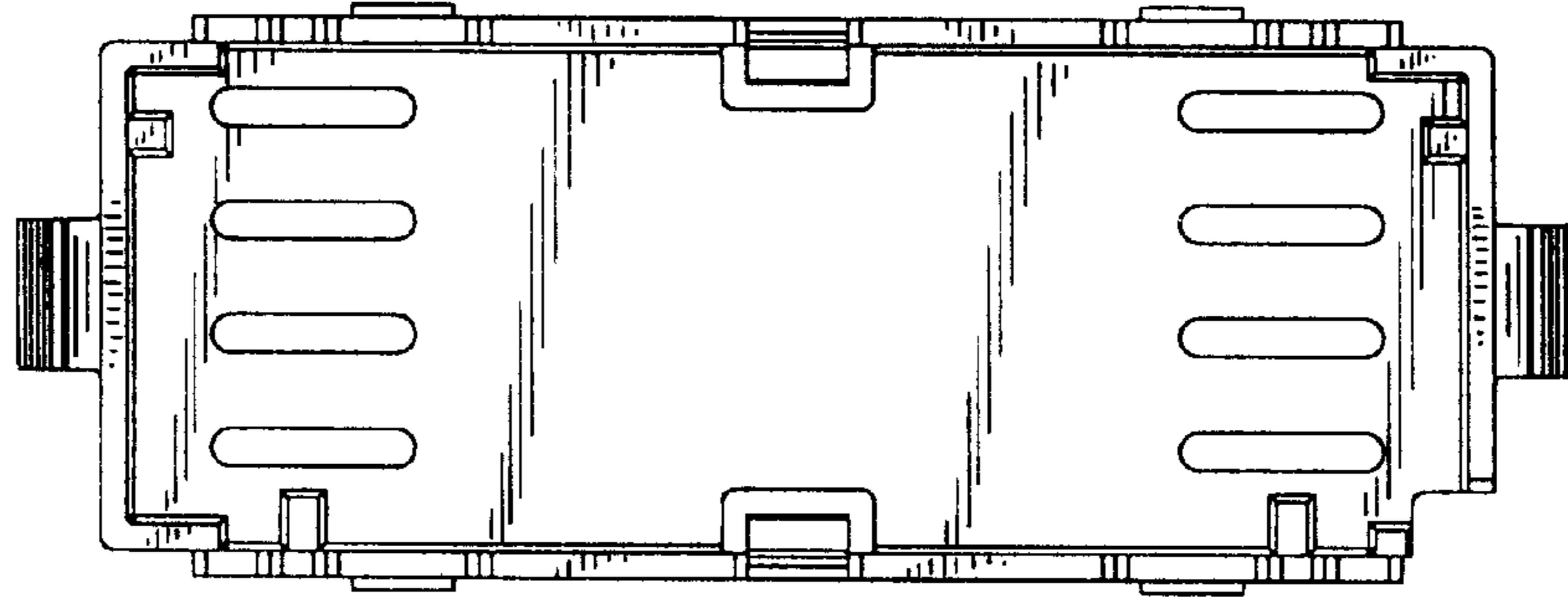


FIG. 4

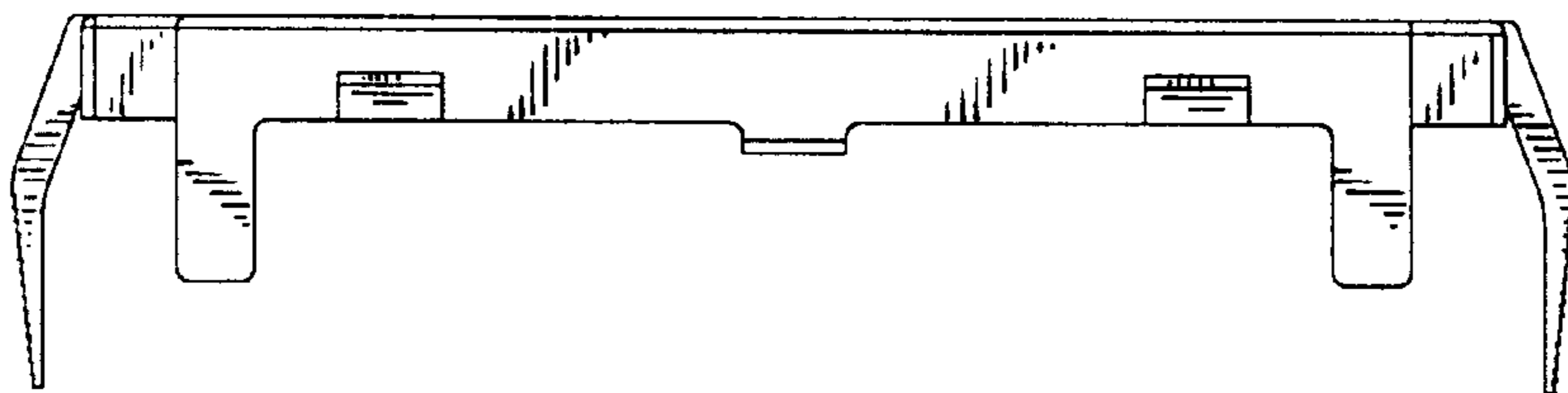


FIG. 5



FIG. 6

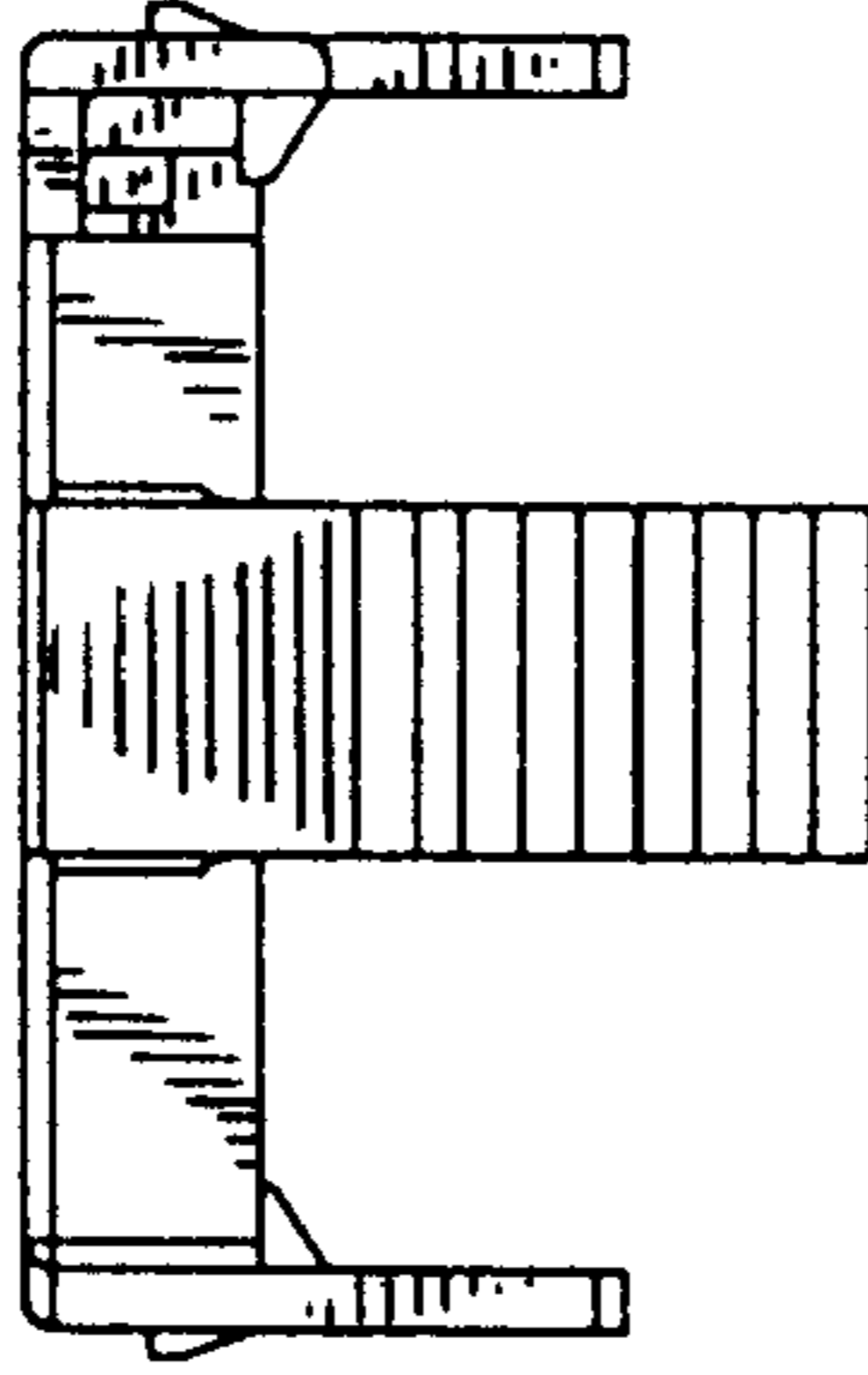


FIG. 7

