



US00D432993S

**United States Patent** [19]  
**Palinkas**

[11] **Patent Number: Des. 432,993**

[45] **Date of Patent: \*\* Oct. 31, 2000**

[54] **FILTER NUT FOR A HIGH-PASS FILTER ASSEMBLY**

5,453,756 9/1995 Lowrey ..... 343/892  
5,651,698 7/1997 Locati et al. .... 439/578

[75] Inventor: **Raymond Palinkas**, Canastota, N.Y.

*Primary Examiner*—Joel Sincavage  
*Attorney, Agent, or Firm*—Duane Morris & Heckscher LLP

[73] Assignee: **John Mezzalingua Associates, Inc.**, East Syracuse, N.Y.

[57] **CLAIM**

[\*\*] Term: **14 Years**

The ornamental design for a filter nut for a high-pass filter assembly, as shown and described.

[21] Appl. No.: **29/115,769**

**DESCRIPTION**

[22] Filed: **Dec. 20, 1999**

[51] **LOC (7) Cl.** ..... **13-03**

[52] **U.S. Cl.** ..... **D13/154**

[58] **Field of Search** ..... D13/151, 154;  
D23/262; 333/185; 439/578, 583, 584

FIG. 1 is a front isometric view of a filter nut for a high-pass filter assembly showing my new design in solid lines, with the broken lines showing environmental features that form no part of the claimed design;

FIG. 2 is a rear isometric view thereof;

FIG. 3 is a front isometric view of the filter nut shown in FIG. 1;

FIG. 4 is a rear isometric view thereof;

FIG. 5 is a bottom plan view thereof

FIG. 6 is a side elevational view thereof; and,

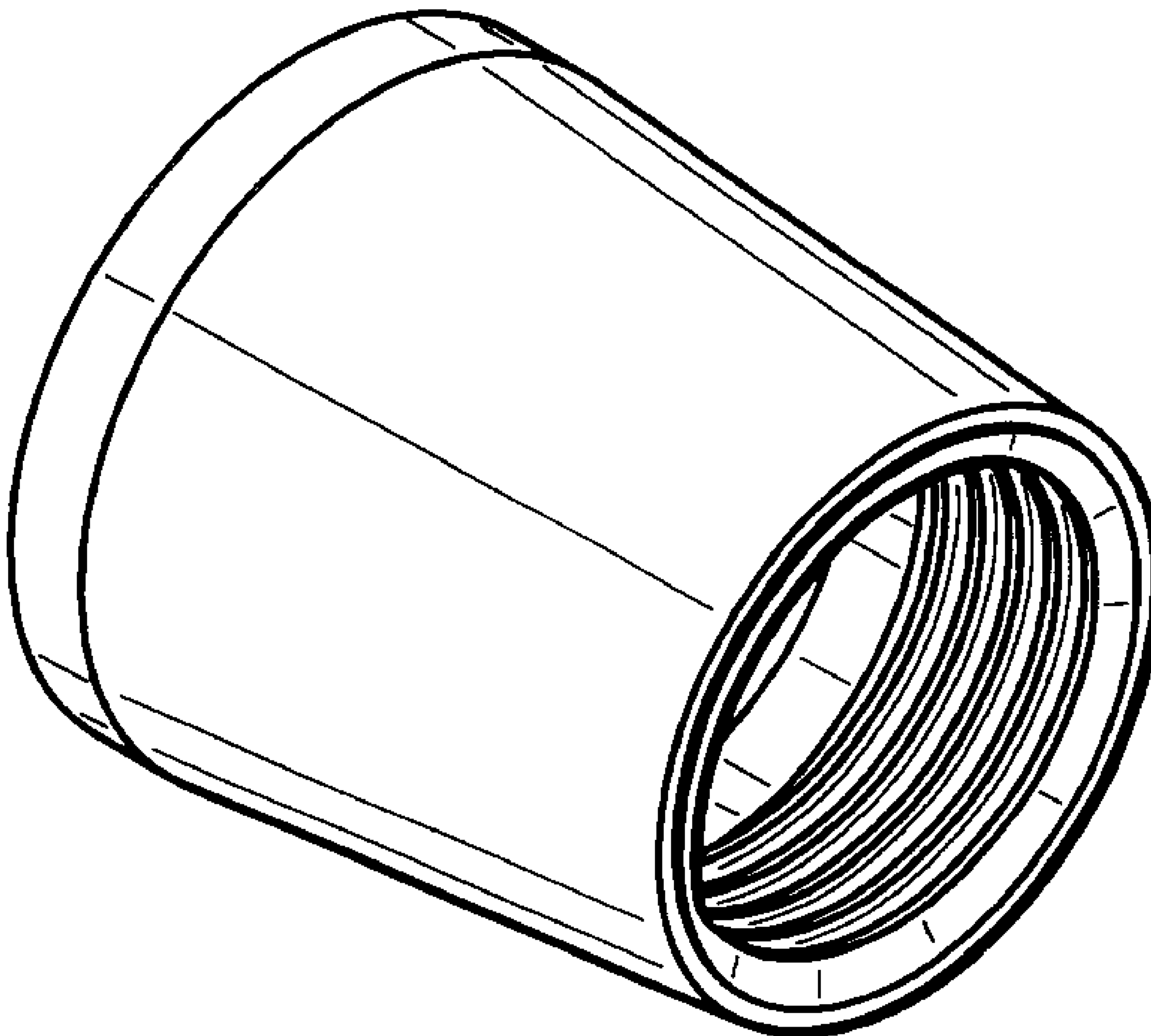
FIG. 7 is a top plan view thereof.

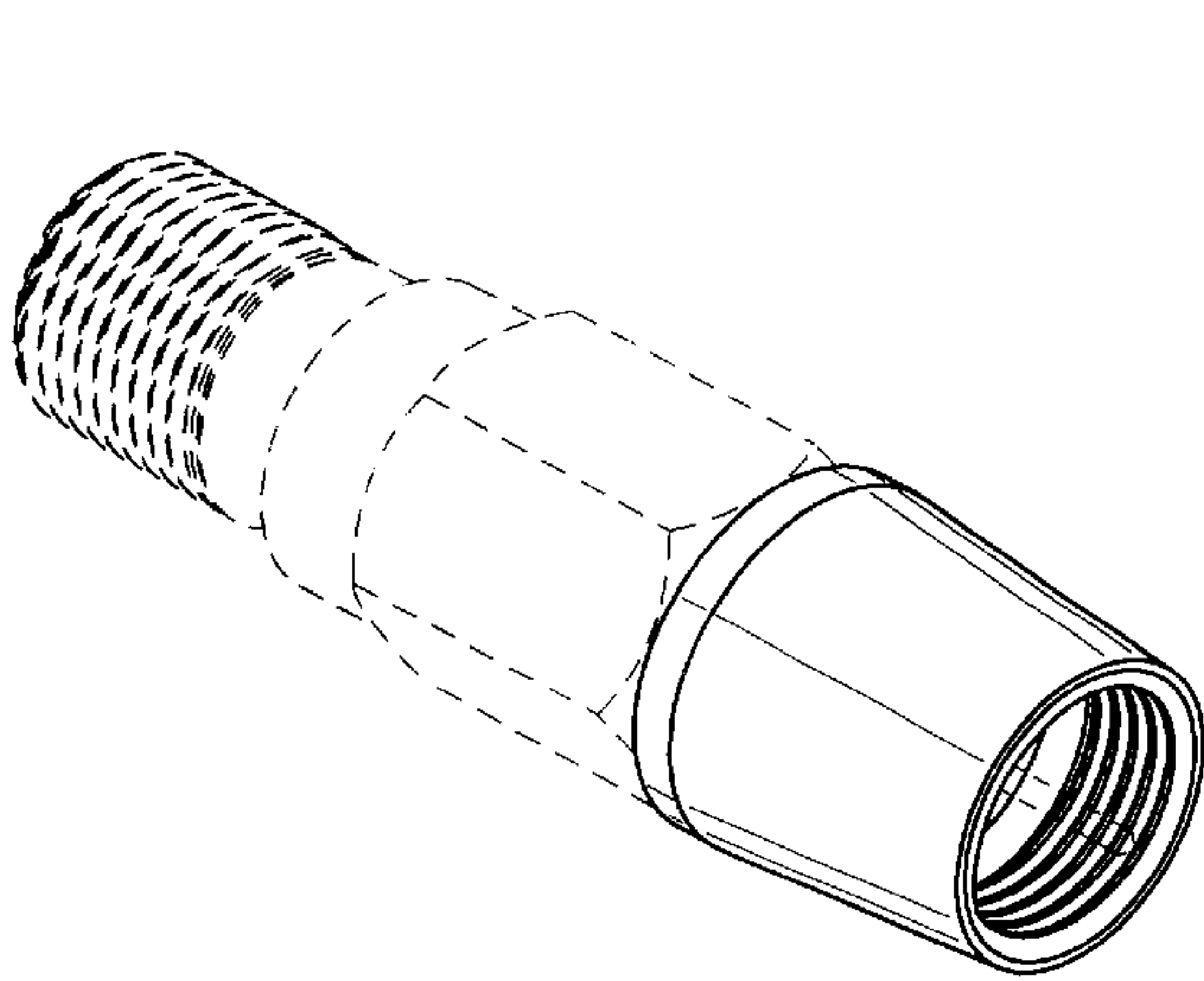
[56] **References Cited**

**U.S. PATENT DOCUMENTS**

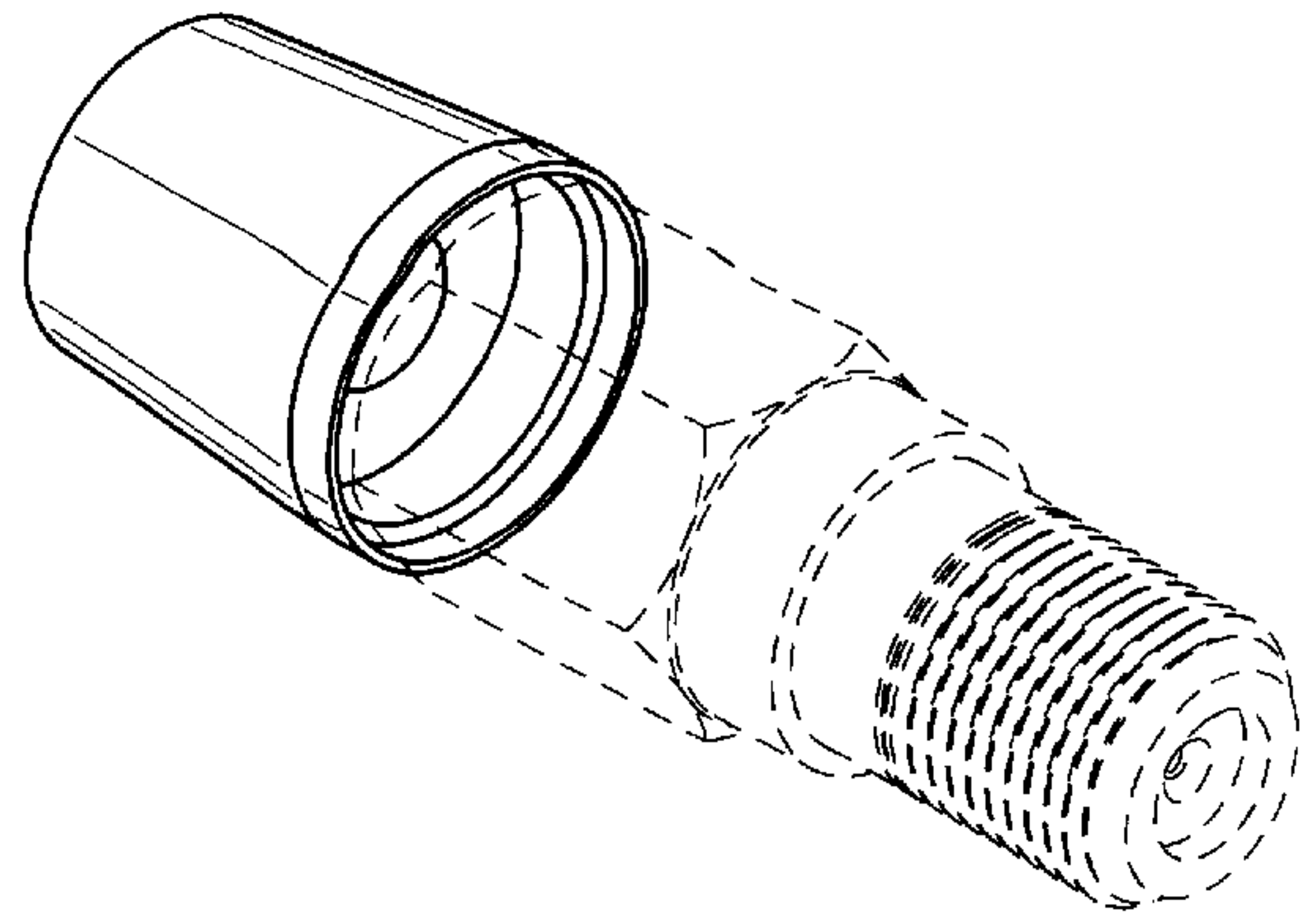
D. 274,453	6/1984	Hayes	.....	D23/262
3,668,612	6/1972	Nepovim	.....	439/584
4,045,113	8/1977	Iacono	.....	439/578
5,423,834	6/1995	Ahmed	.....	606/140

**1 Claim, 1 Drawing Sheet**

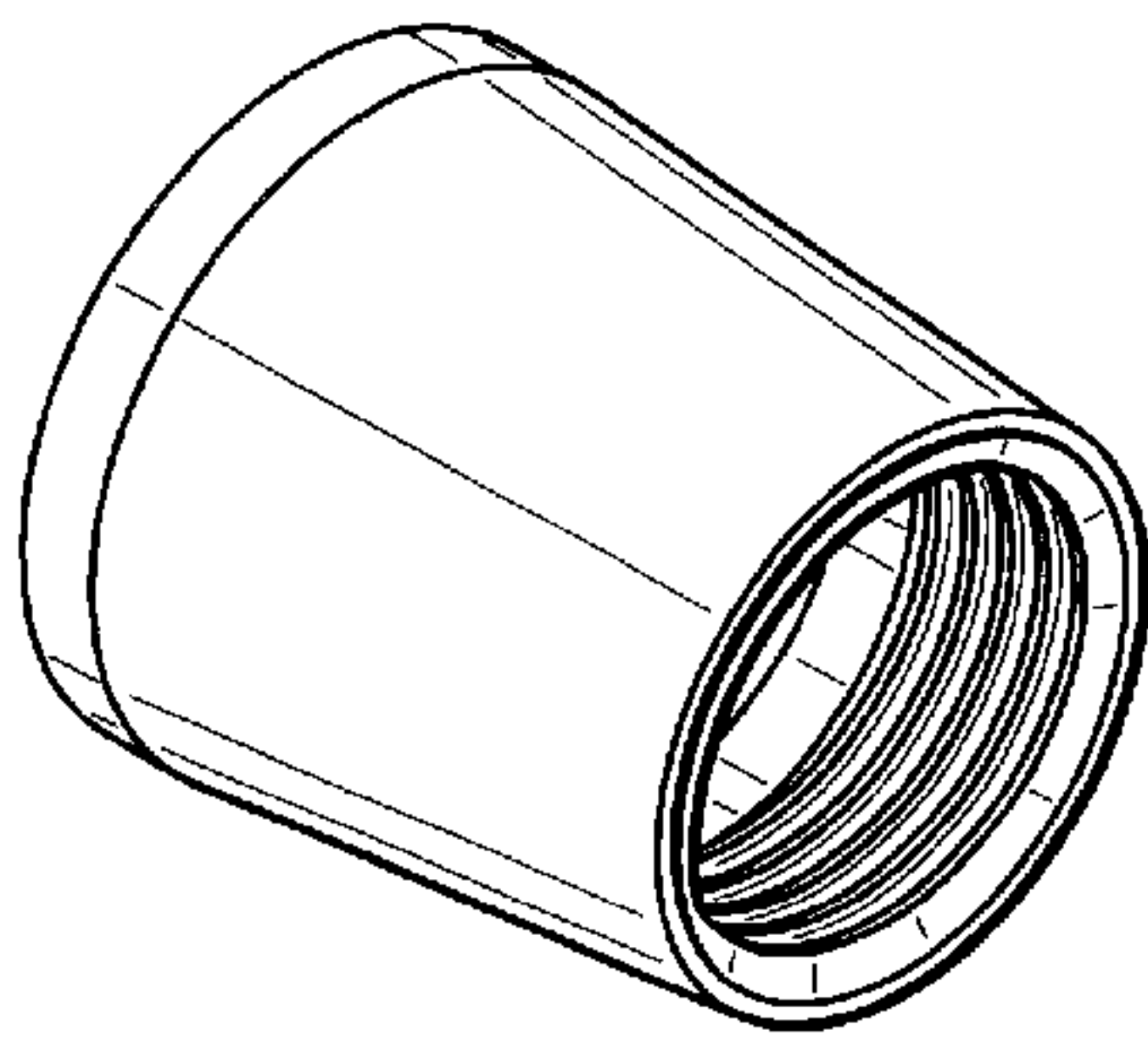




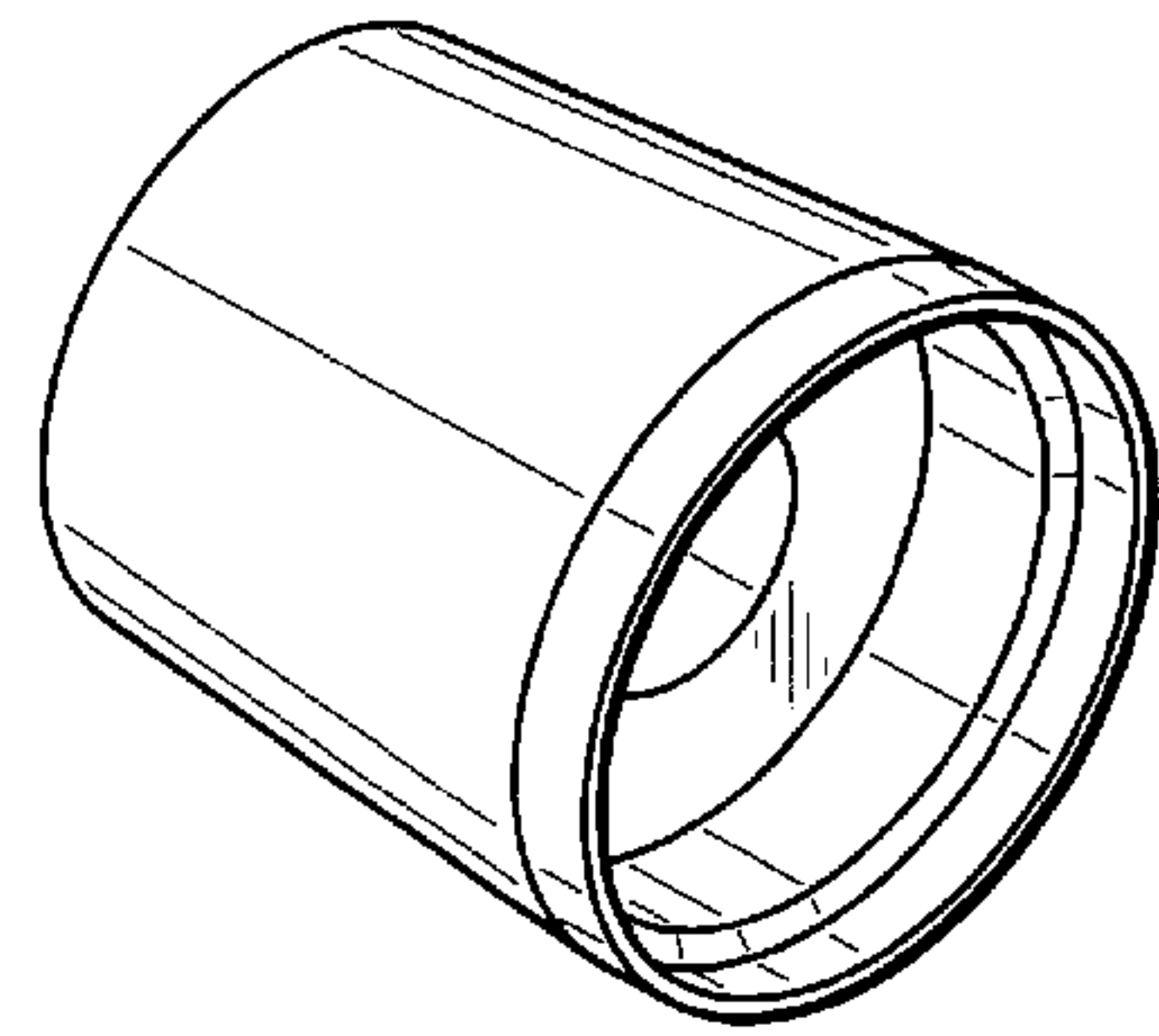
**FIG. 1**



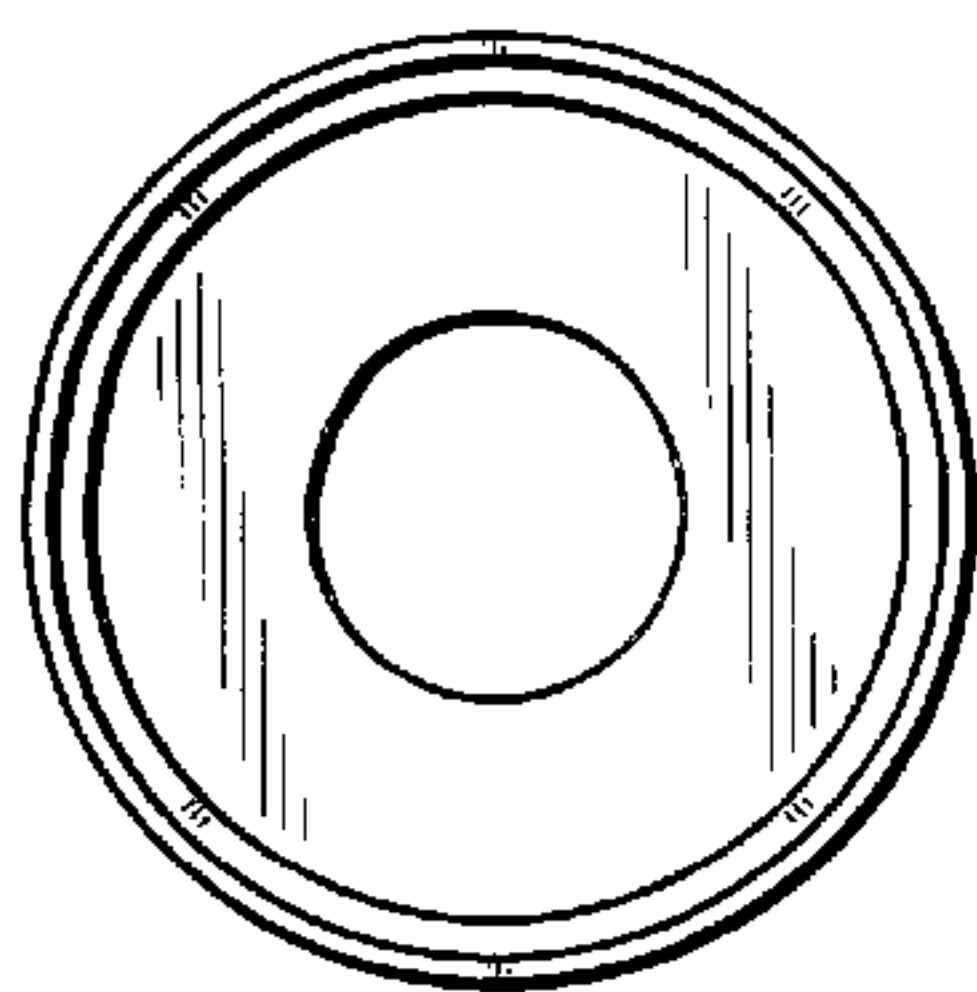
**FIG. 2**



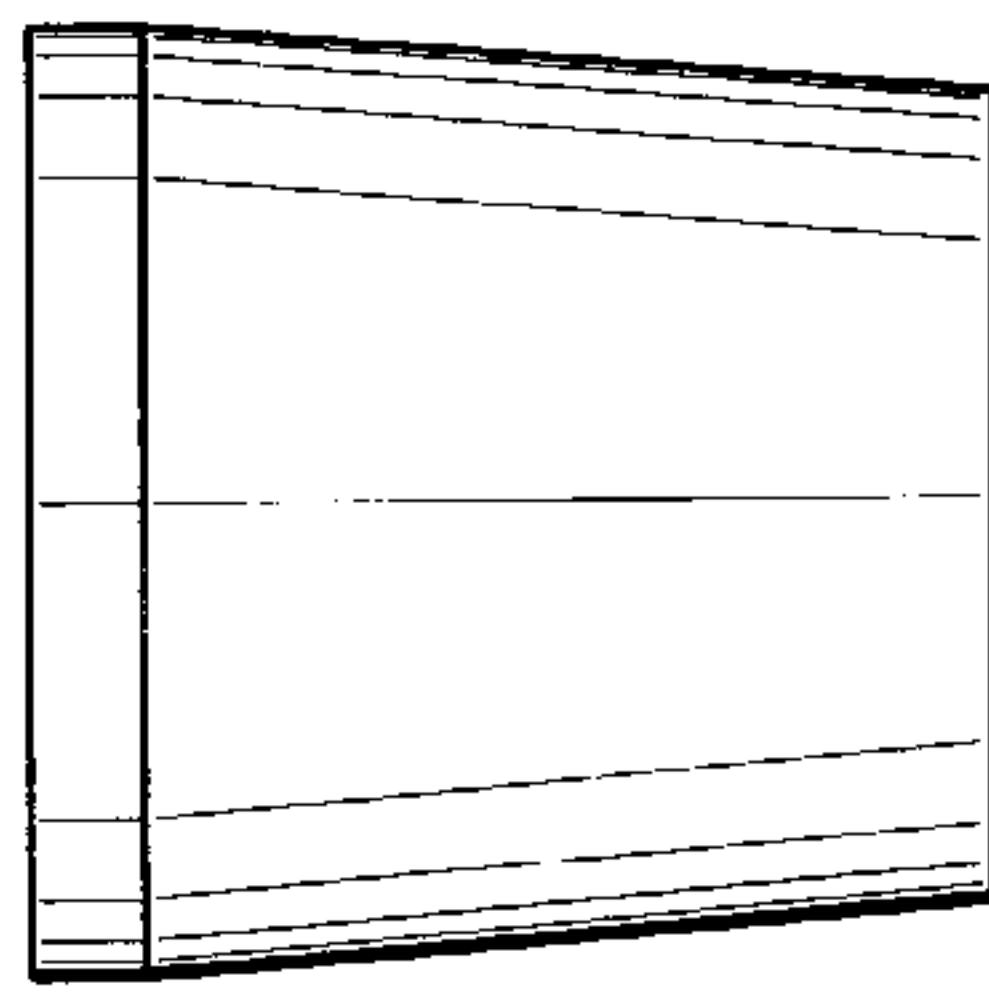
**FIG. 3**



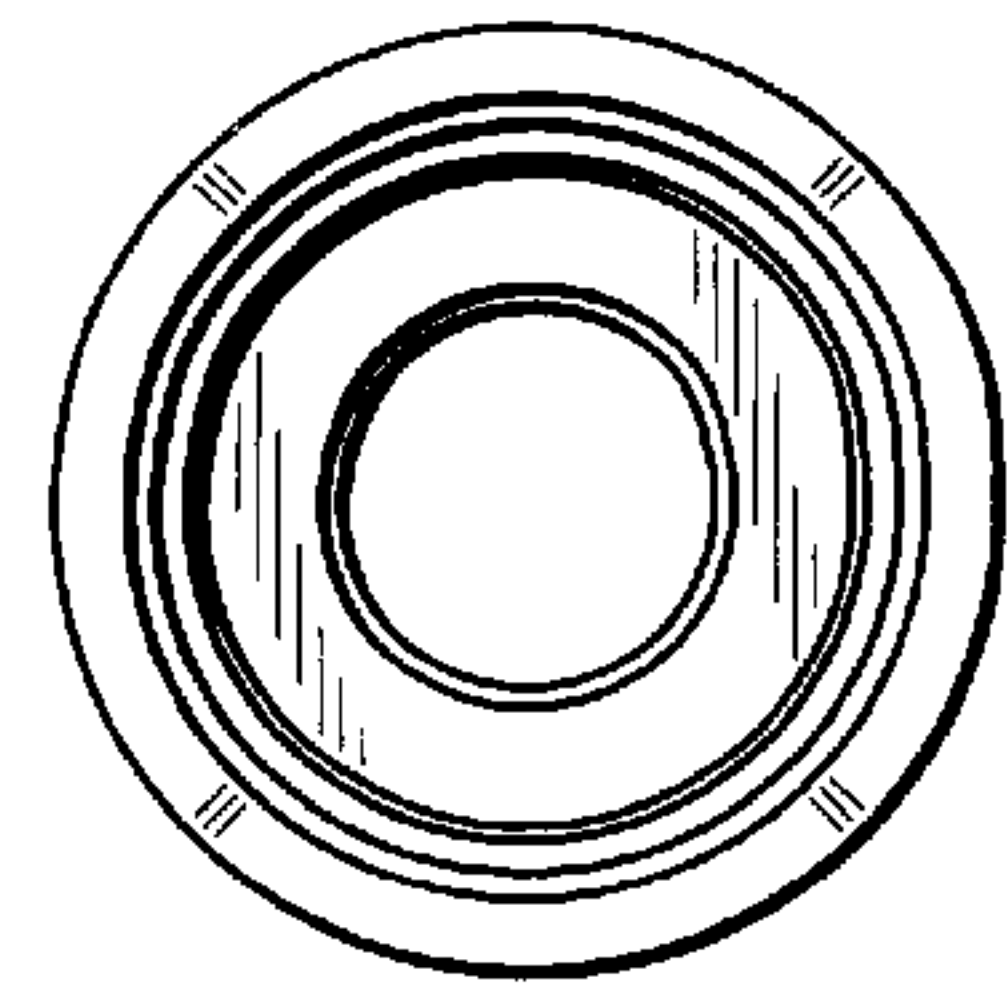
**FIG. 4**



**FIG. 5**



**FIG. 6**



**FIG. 7**