



US00D432992S

United States Patent [19] Lok

[11] **Patent Number: Des. 432,992**

[45] **Date of Patent: ** Oct. 31, 2000**

[54] **ELECTRICAL CONNECTOR**

5,125,849 6/1992 Briggs et al. D13/146 X
5,938,473 8/1999 Nishio et al. 439/607 X
6,007,382 12/1999 Wu 439/607

[75] Inventor: **Gordon Lok**, La Habra, Calif.

[73] Assignee: **Hon Hai Precision Ind. Co., Ltd.**,
Taipei Hsien, Taiwan

Primary Examiner—Joel Sincavage
Attorney, Agent, or Firm—Wei Te Chung

[**] Term: **14 Years**

[57] **CLAIM**

[21] Appl. No.: **29/123,556**

The ornamental design for an electrical connector, as shown.

[22] Filed: **May 17, 2000**

DESCRIPTION

[51] **LOC (7) Cl.** **13-03**

[52] **U.S. Cl.** **D13/147**

[58] **Field of Search** D13/146, 147;
439/607-610

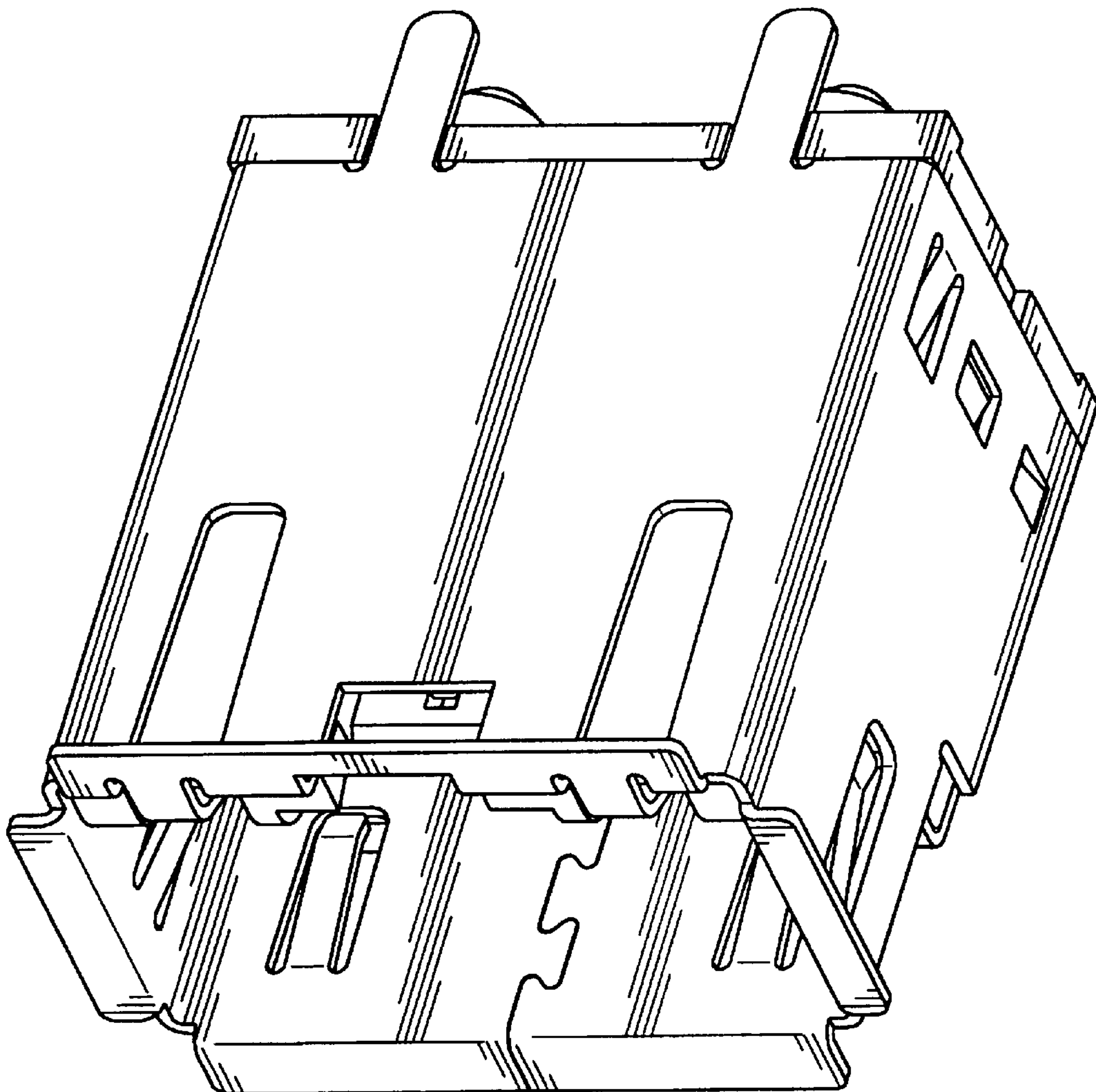
FIG. 1 is a front, top and right side perspective view of an electrical connector showing my new design;
FIG. 2 is a front elevational view thereof;
FIG. 3 is a rear elevational view thereof;
FIG. 4 is a left side elevational view thereof;
FIG. 5 is a right side elevational view thereof;
FIG. 6 is a top plan view thereof; and,
FIG. 7 is a bottom plan view thereof.

[56] **References Cited**

U.S. PATENT DOCUMENTS

D. 409,570 5/1999 Wu D13/147
D. 427,975 7/2000 Zhu et al. D13/147

1 Claim, 7 Drawing Sheets



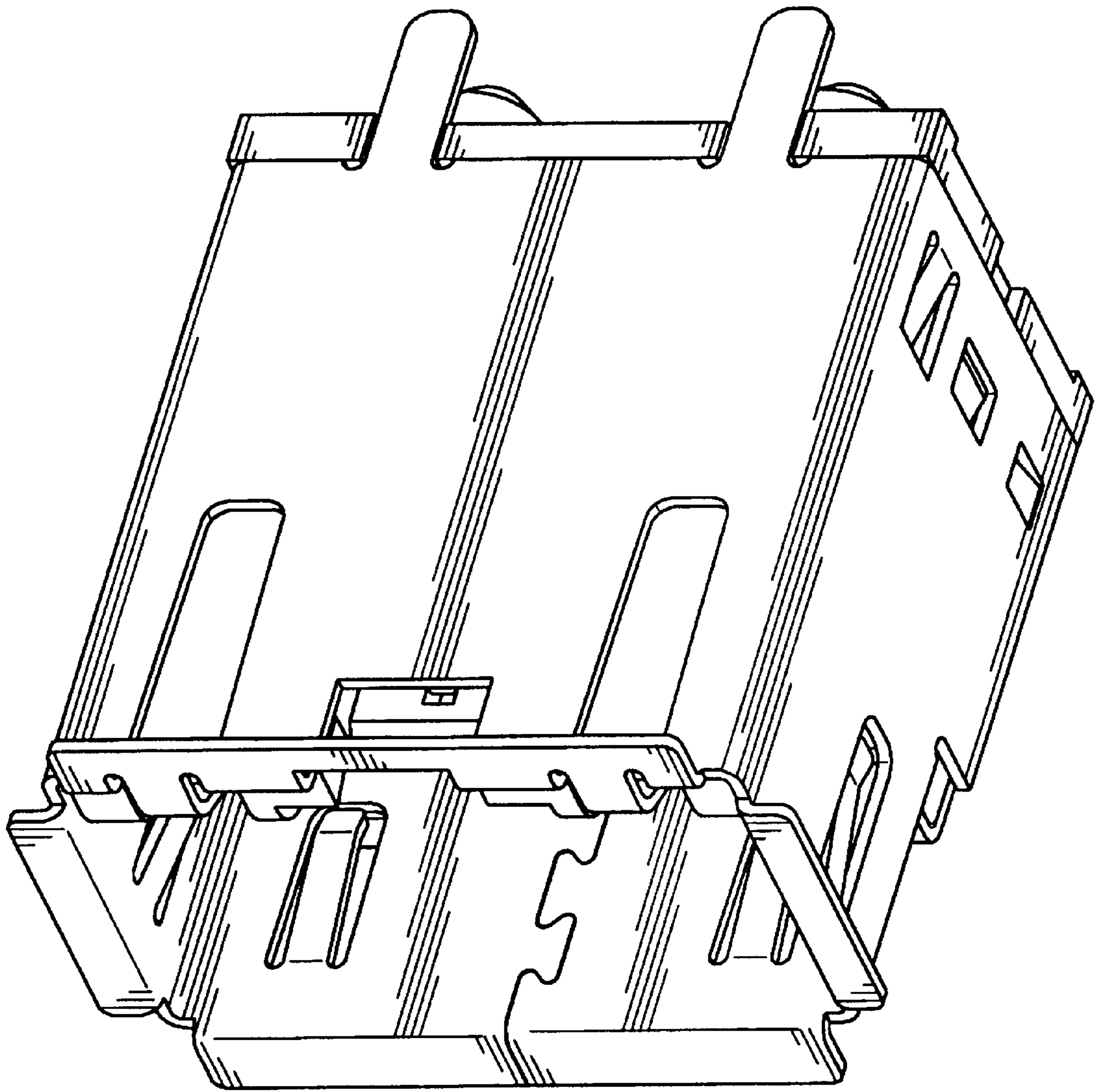


FIG. 1

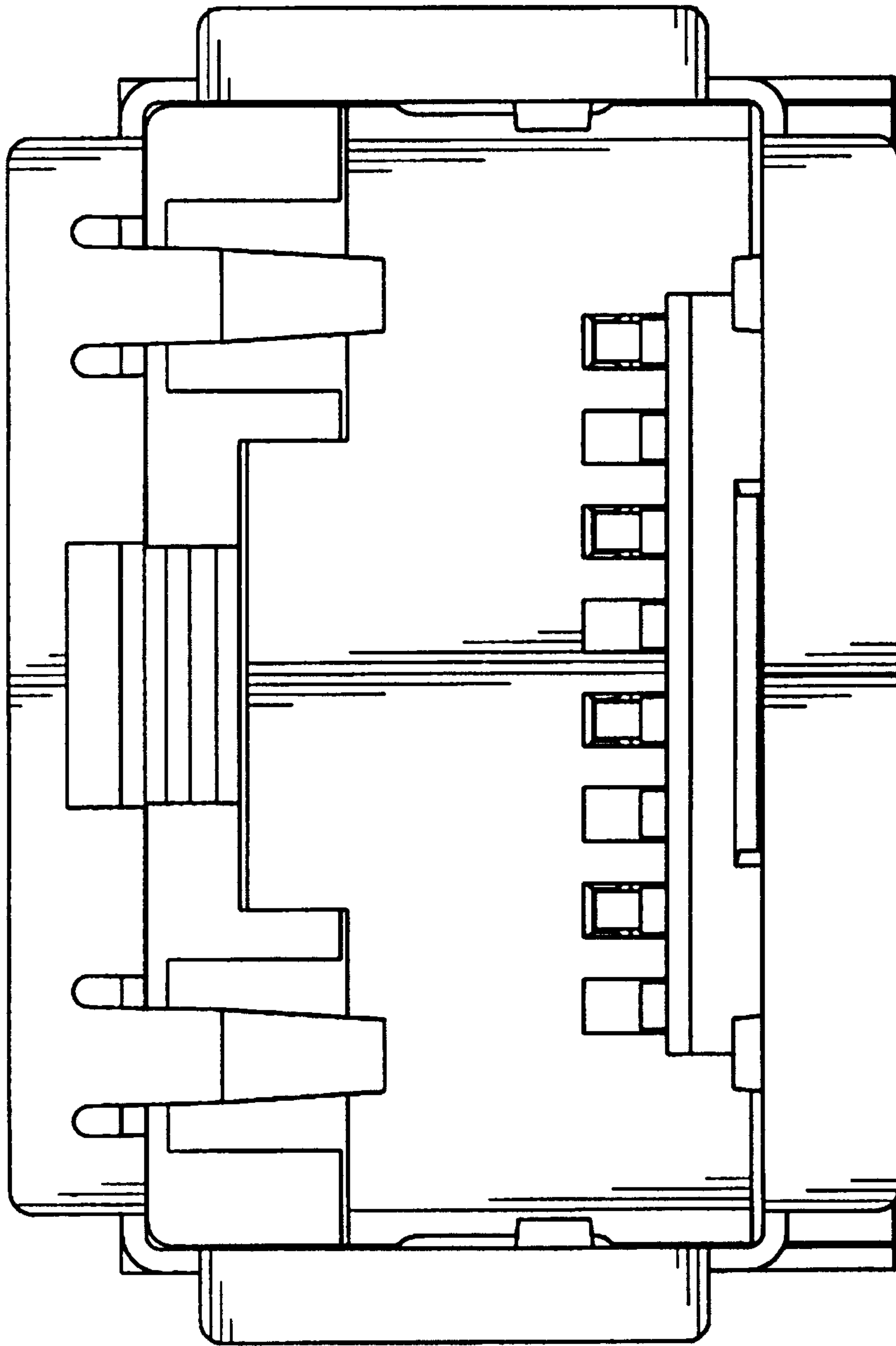


FIG. 2

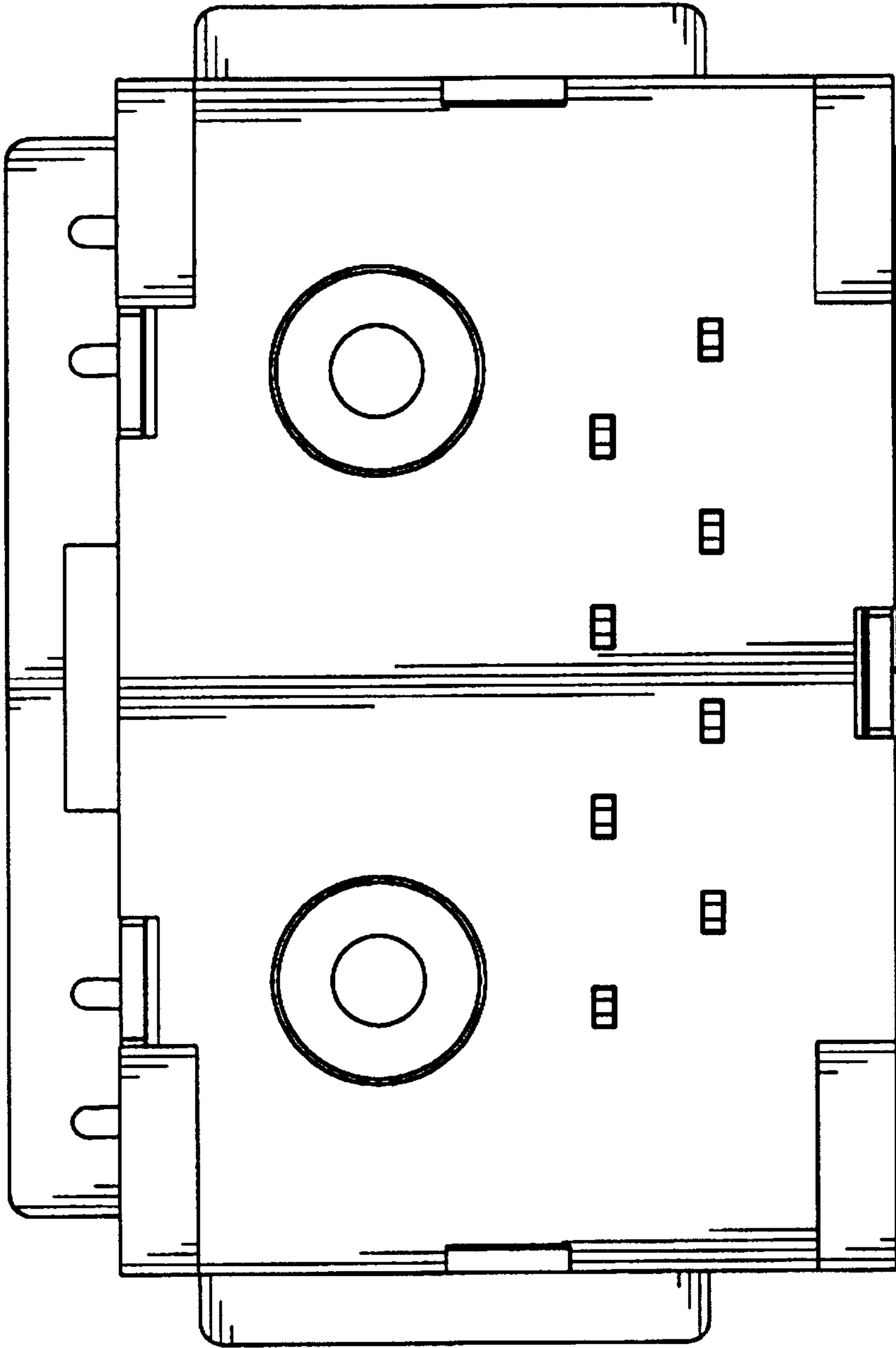


FIG. 3

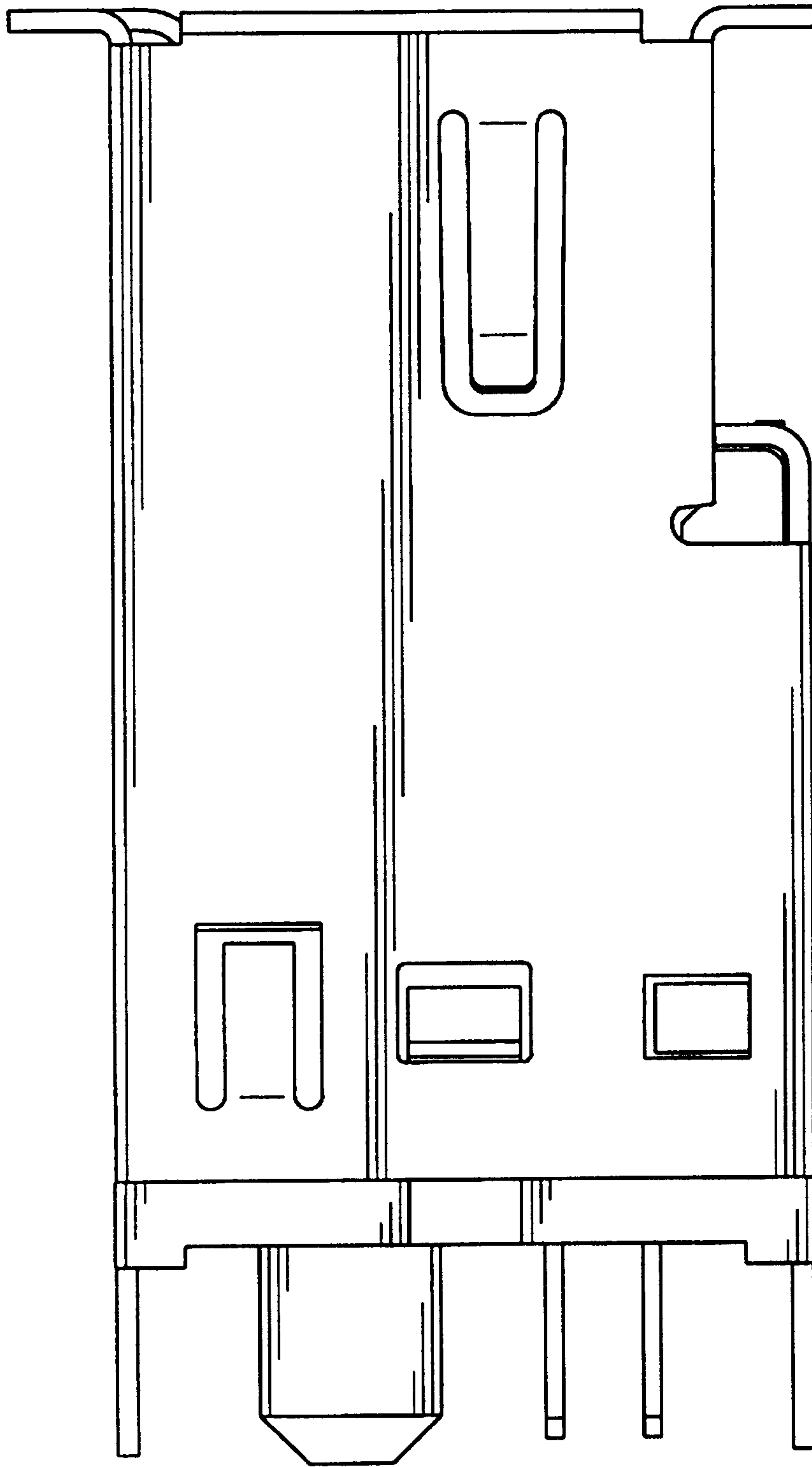


FIG. 4

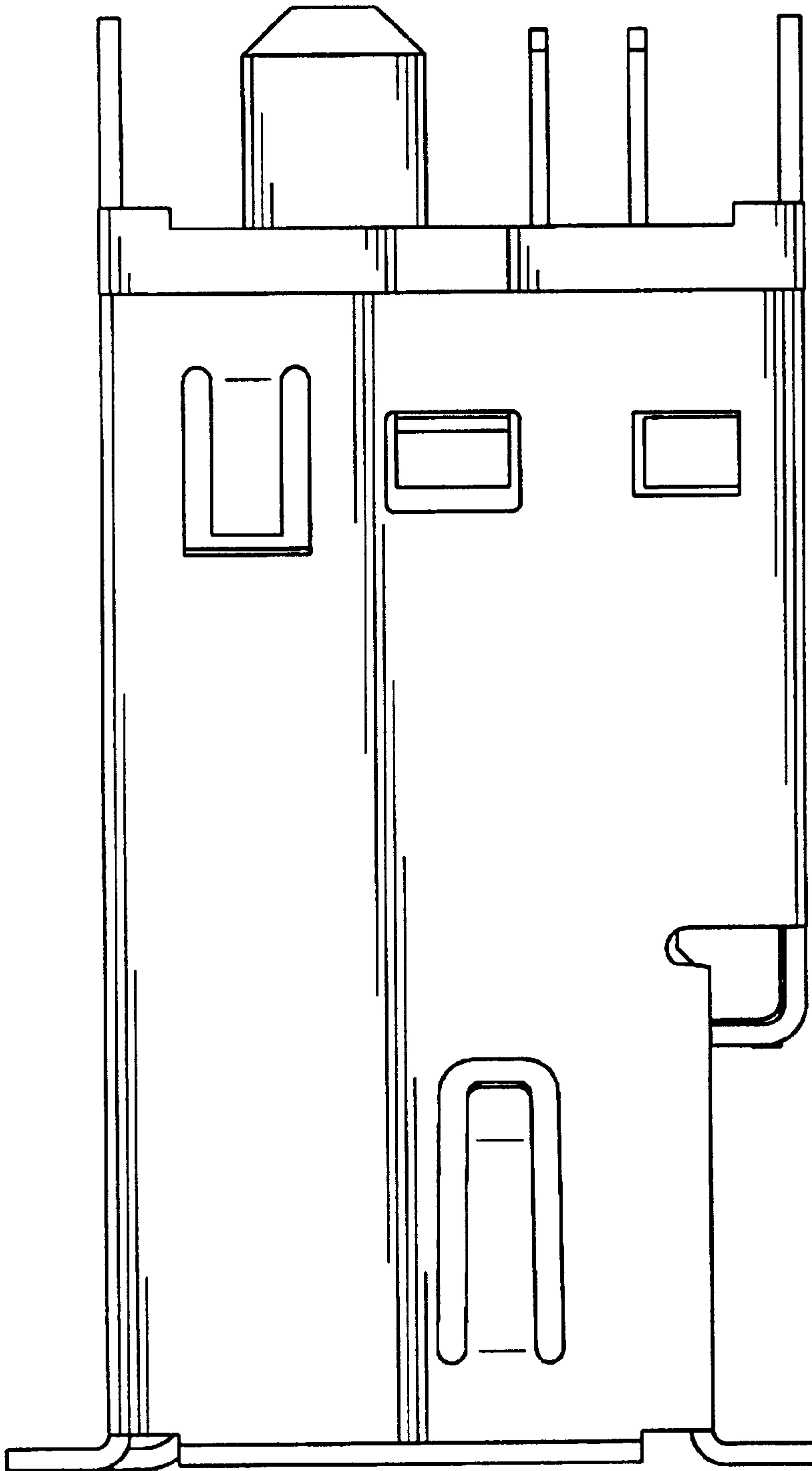


FIG. 5

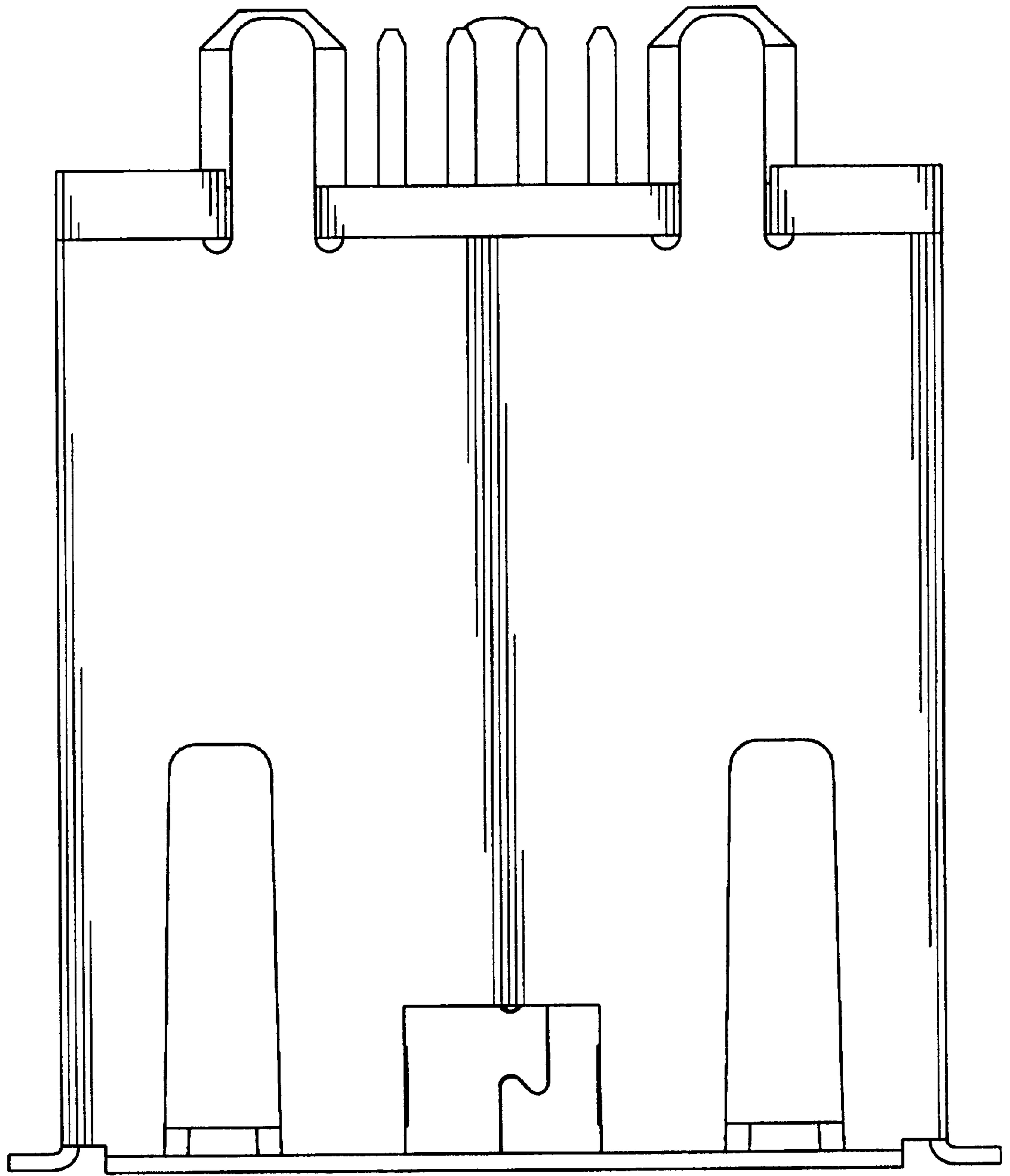


FIG. 6

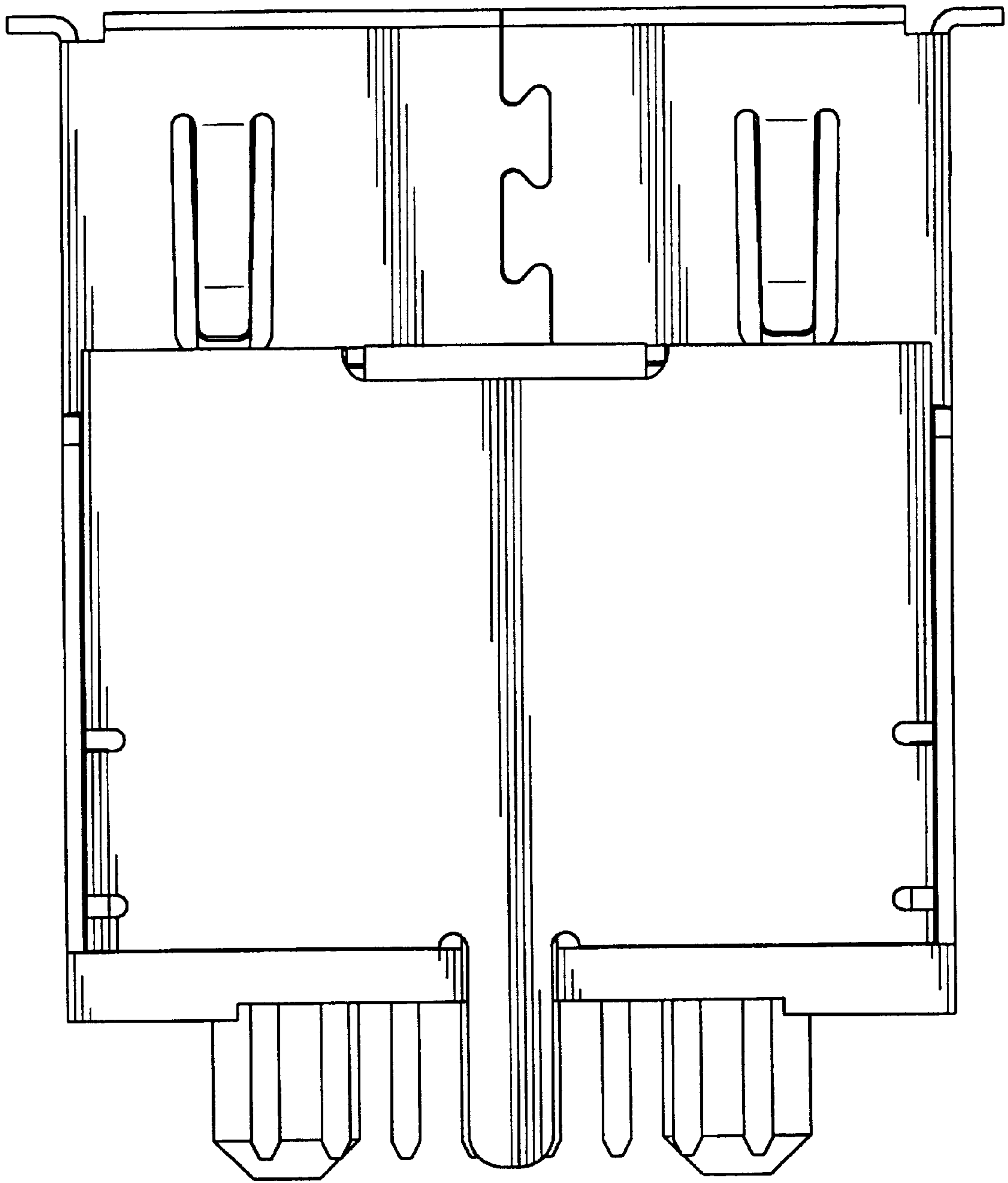


FIG. 7