



US00D432991S

# United States Patent [19] Taguchi

[11] Patent Number: **Des. 432,991**

[45] Date of Patent: **\*\* Oct. 31, 2000**

[54] **GANGED RJ-45 INTERCONNECT**

[75] Inventor: **Gary H. Taguchi**, Bellflower, Calif.

[73] Assignee: **Thomas & Betts International, Inc.**, Sparks, Nev.

[\*\*] Term: **14 Years**

[21] Appl. No.: **29/121,676**

[22] Filed: **Apr. 11, 2000**

[51] **LOC (7) Cl.** ..... **13-03**

[52] **U.S. Cl.** ..... **D13/147**

[58] **Field of Search** ..... D13/146, 147;  
439/607-610, 701, 712, 676

[56] **References Cited**

**U.S. PATENT DOCUMENTS**

D. 303,246	9/1989	Freeman et al. ....	D13/147
D. 421,964	3/2000	Nagasawa et al. ....	D13/147
D. 426,812	6/2000	Hwang et al. ....	D13/147
4,718,867	1/1988	Seidel et al. ....	439/609
5,328,390	7/1994	Johnston et al. ....	439/638
5,480,326	1/1996	Chen ....	439/607

5,879,199	3/1999	Belopolsky .....	439/701
5,984,731	11/1999	Laity .....	439/676
6,017,238	1/2000	Johnston .....	439/404

*Primary Examiner*—Joel Sincavage  
*Attorney, Agent, or Firm*—G. Andrew Barger

[57] **CLAIM**

The ornamental design for a ganged RJ-45 interconnect, as shown and described.

**DESCRIPTION**

FIG. 1 is a perspective view of the ganged RJ-45 interconnect taken from the top and right.

FIG. 2 is another perspective view of the ganged RJ-45 interconnect taken from the bottom and left.

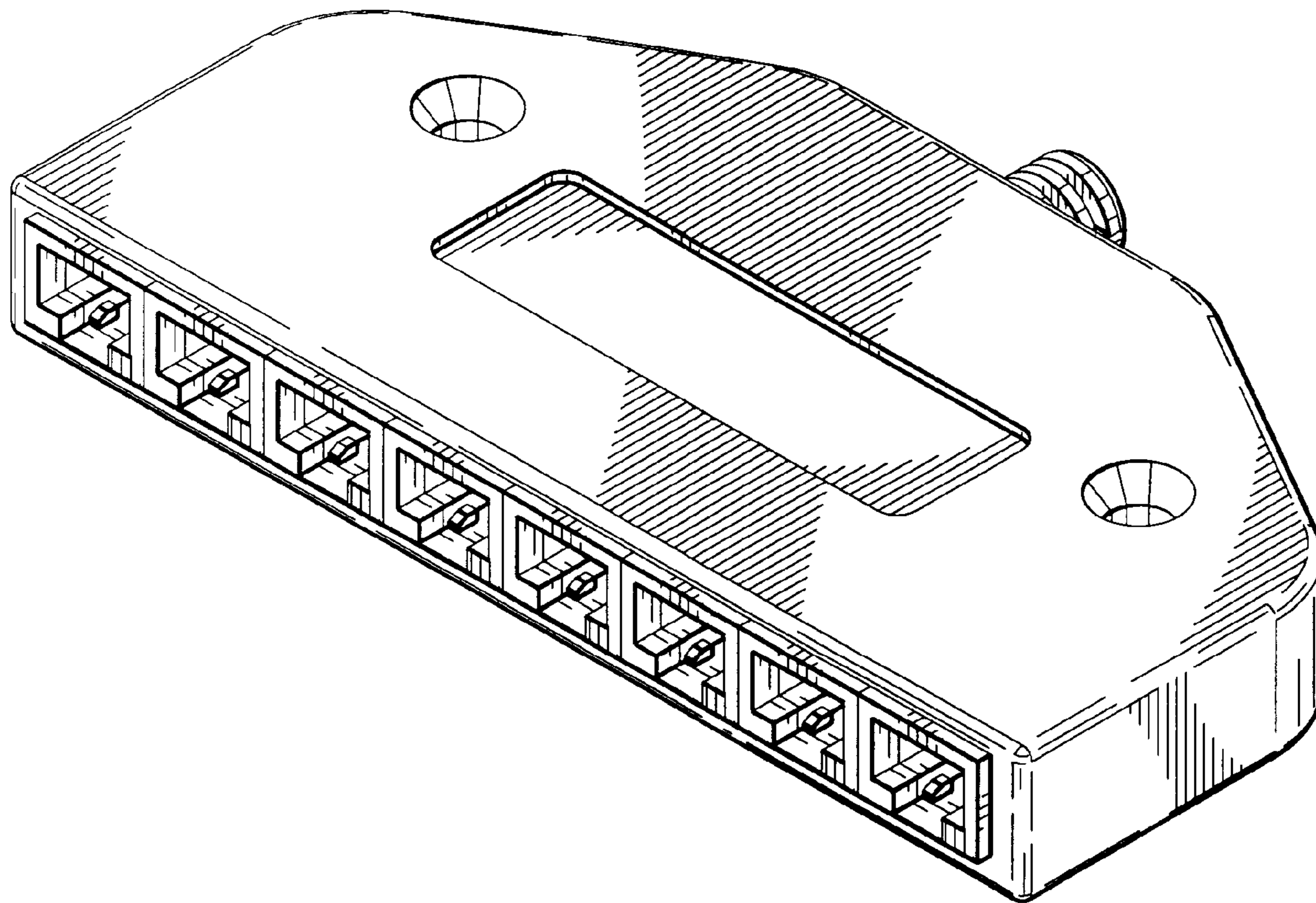
FIG. 3 is a front elevational view of the ganged RJ-45 interconnect.

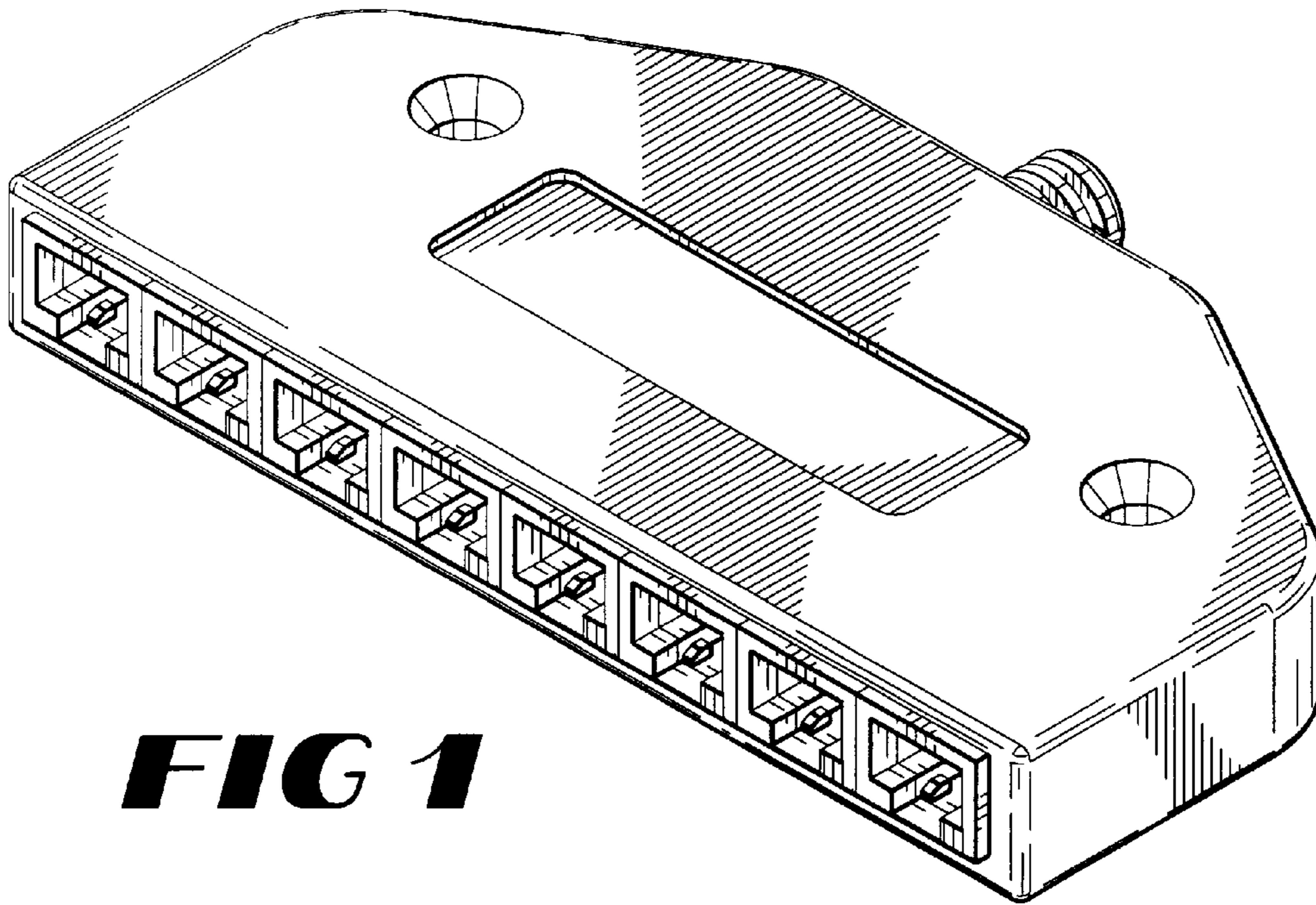
FIG. 4 is a right elevational view of the ganged RJ-45 interconnect with the left side being a mirror image.

FIG. 5 is a rear elevational view of the ganged RJ-45 interconnect; and,

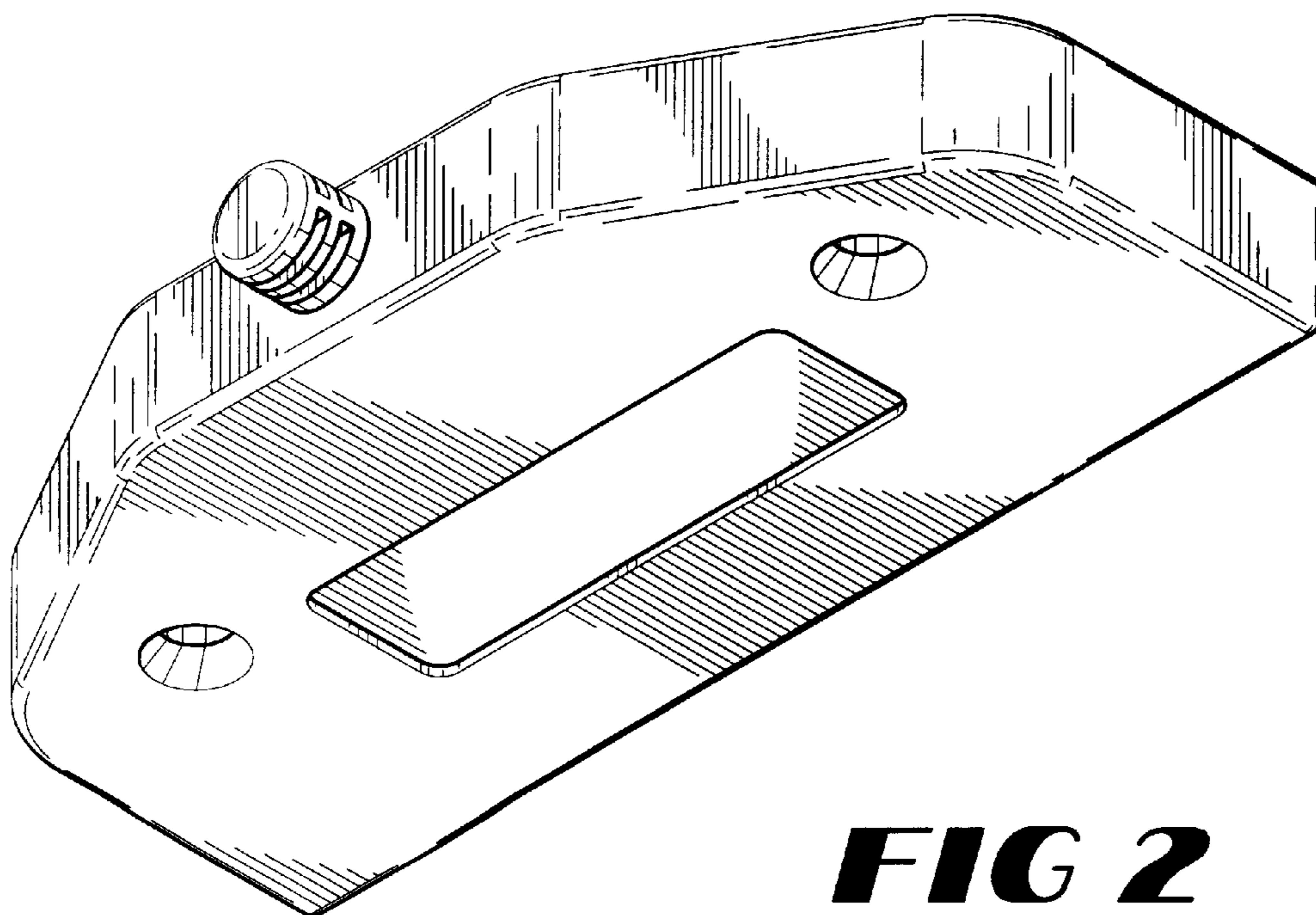
FIG. 6 is a top plan view of the ganged RJ-45 interconnect with the bottom being a mirror image.

**1 Claim, 2 Drawing Sheets**

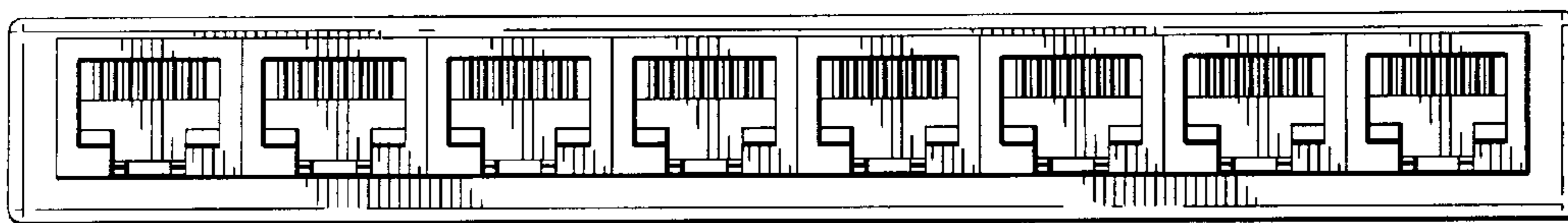




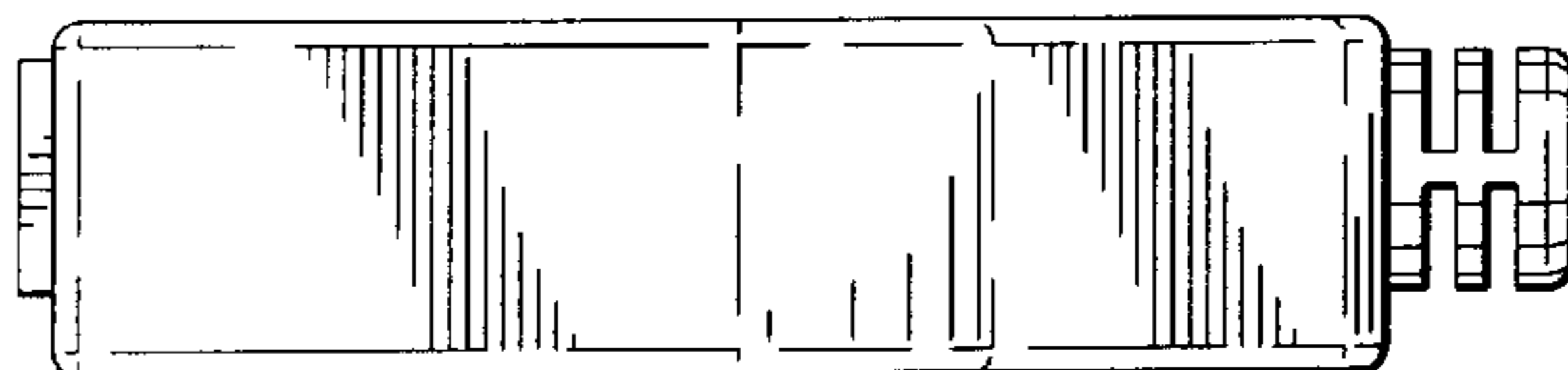
**FIG 1**



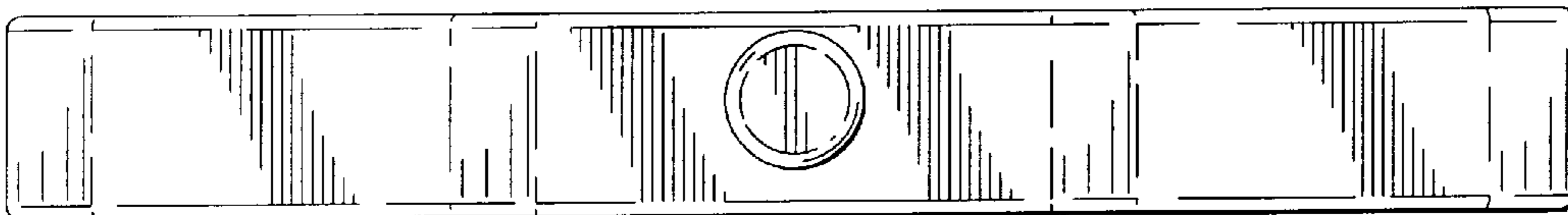
**FIG 2**



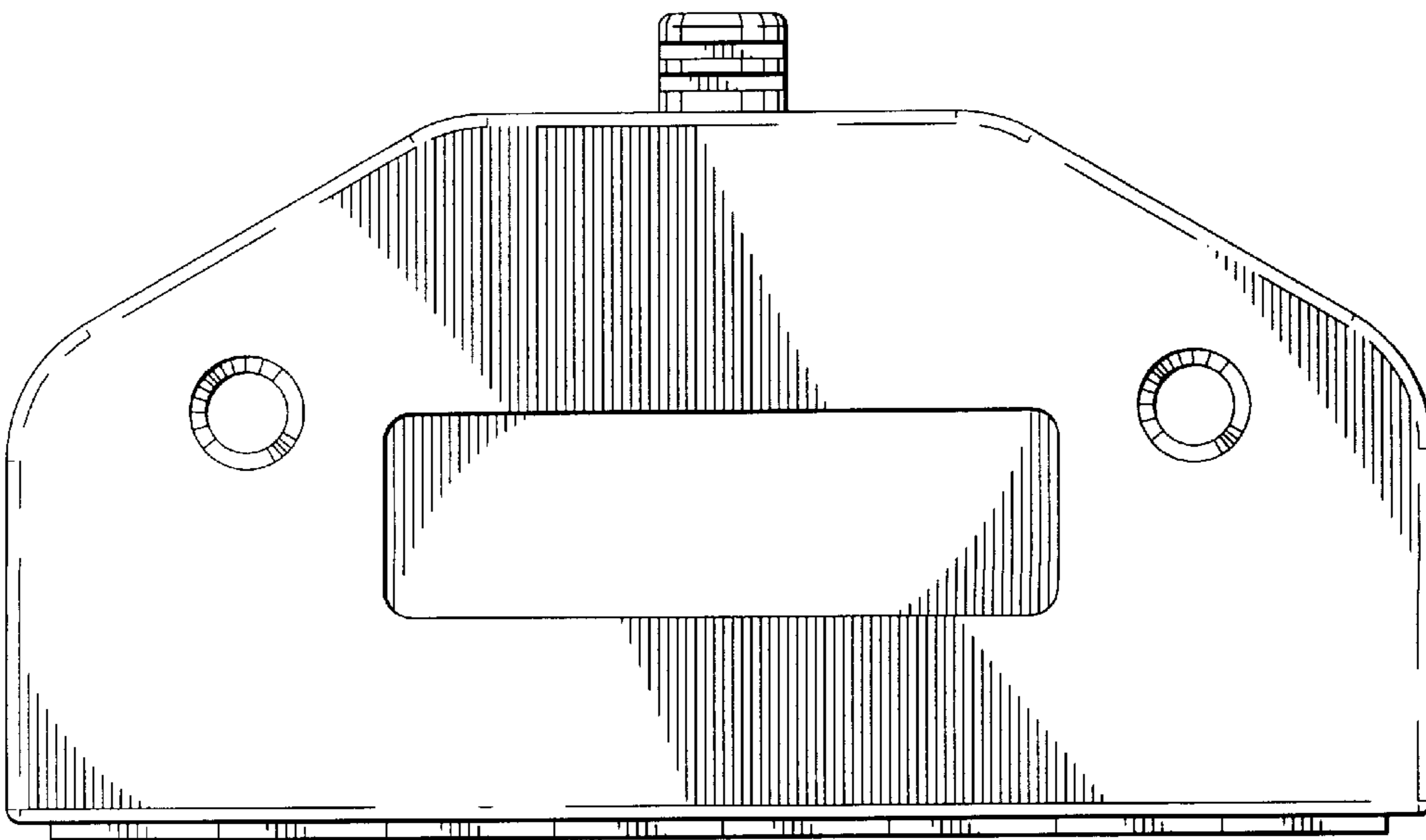
**FIG 3**



**FIG 4**



**FIG 5**



**FIG 6**