



US00D432989S

United States Patent [19]

Rossman et al.

[11] Patent Number: Des. 432,989

[45] Date of Patent: ** Oct. 31, 2000

[54] SURGE PROTECTOR

[75] Inventors: Jon R. Rossman, Chelmsford; Bryan R. Hotaling, Arlington, both of Mass.; Michael P. Clay, Bedminster, N.J.

[73] Assignee: Curtis Computer Products, Inc., Provo, Utah

[**] Term: 14 Years

[21] Appl. No.: 29/102,799

[22] Filed: Mar. 31, 1999

[51] LOC (7) Cl. 13-03

[52] U.S. Cl. D13/137.2; D13/139.6

[58] Field of Search D13/137.1, 137.2, D13/137.3, 137.4, 139.1, 139.6-139.8, 156; 174/67; 439/142, 143, 144, 139, 650-654, 501, 638, 954

[56] References Cited

U.S. PATENT DOCUMENTS

D. 350,940	9/1994	Rossman et al.	D13/139.8
D. 397,086	8/1998	Lin	D13/137.2
D. 410,626	6/1999	Huang	D13/139.6
D. 411,981	7/1999	Jeon-Chapman et al.	D13/139.6
5,071,367	12/1991	Luu	439/501
5,629,826	5/1997	Roca et al.	439/501 X
5,816,824	10/1998	White et al.	439/142 X
5,899,761	5/1999	Crane et al.	439/142

Primary Examiner—Susan J. Lucas
Assistant Examiner—Jennifer Rivard
Attorney, Agent, or Firm—Pennie & Edmonds LLP

[57] CLAIM

The ornamental design for a surge protector, as shown and described.

DESCRIPTION

FIG. 1 is a top, front, and right perspective view of the first embodiment of a surge protector according to the present invention;

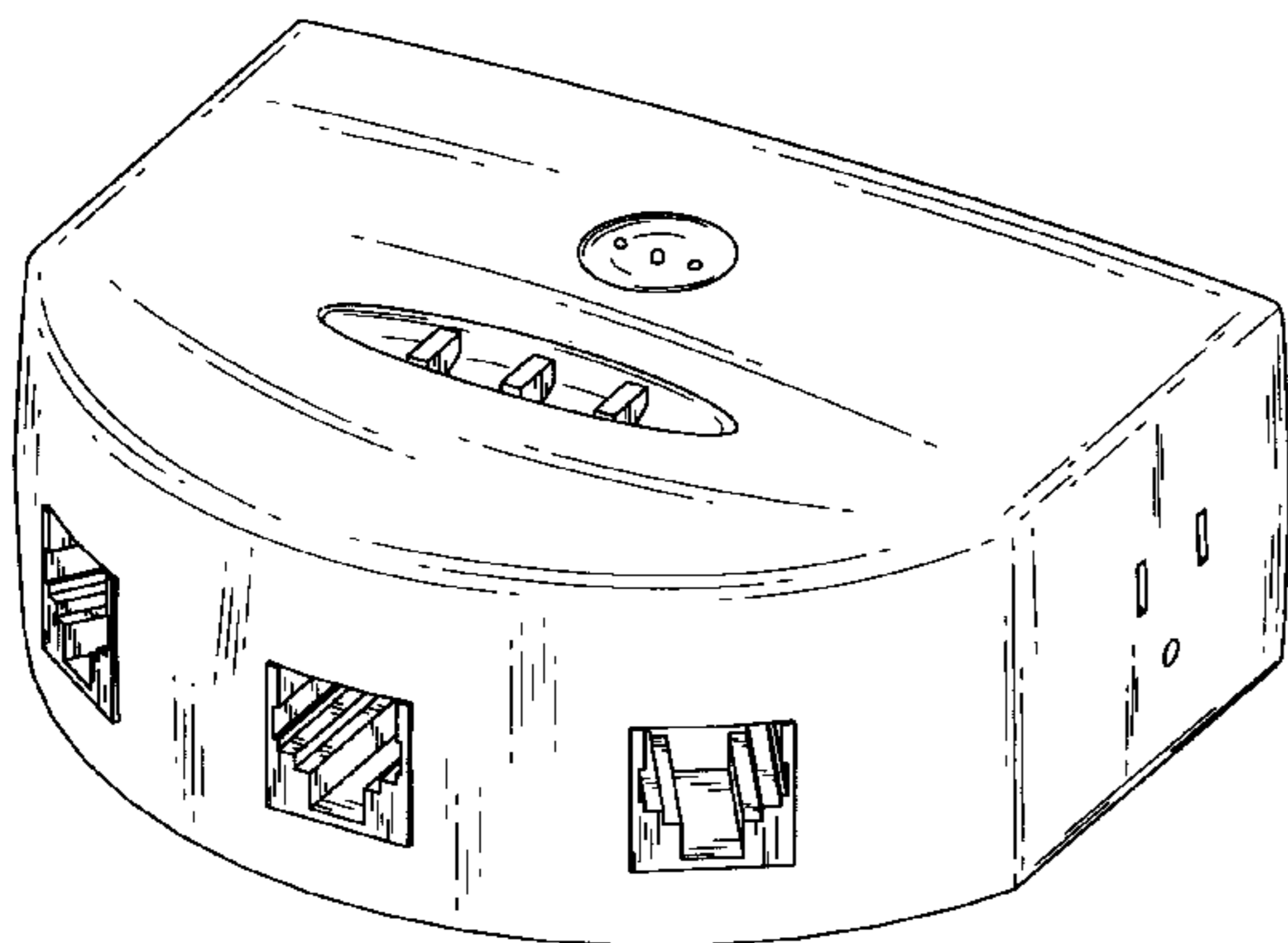
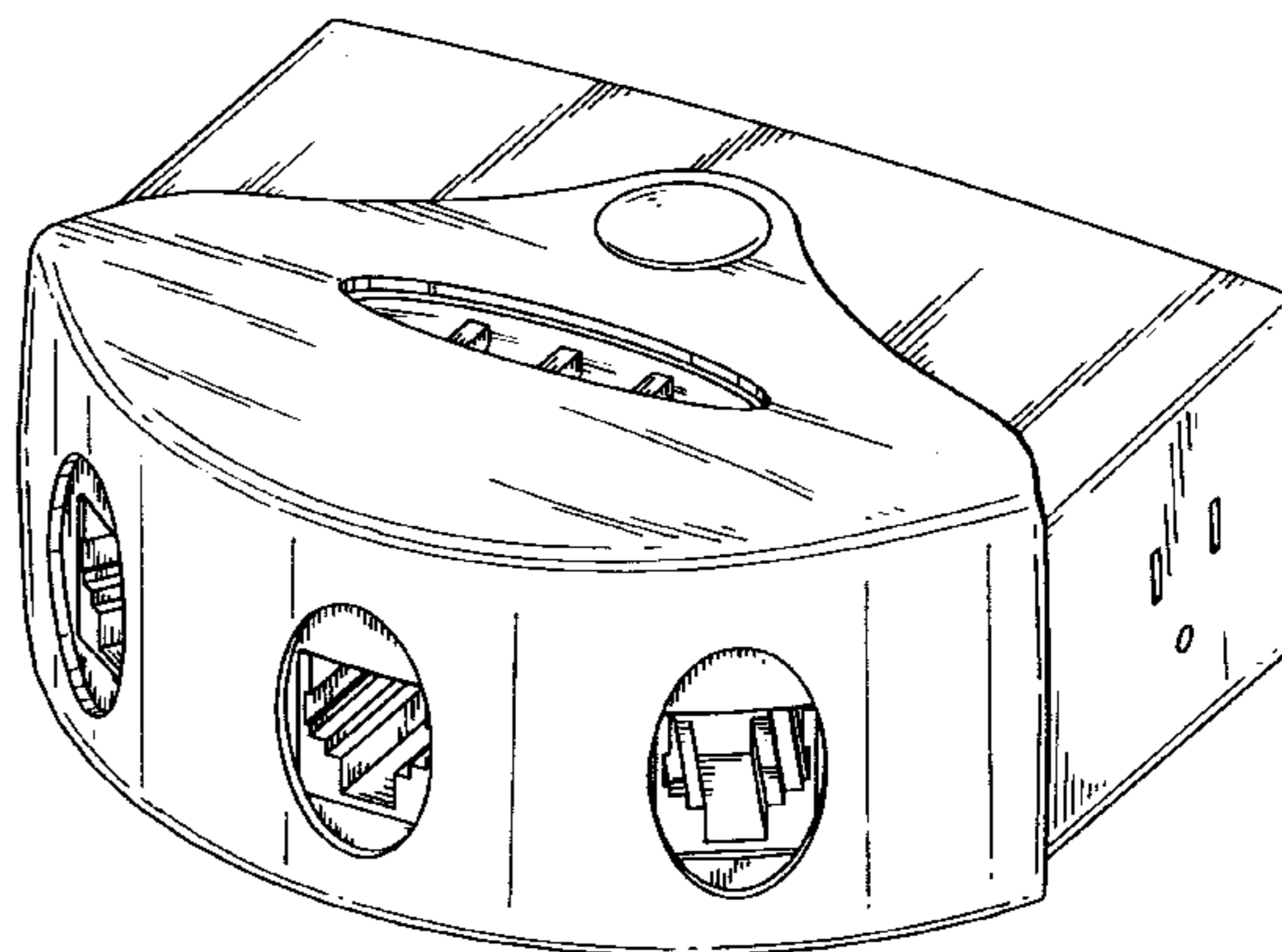


FIG. 2 is a top view thereof;
 FIG. 3 is a bottom view thereof;
 FIG. 4 is a left side elevational view thereof, the right side elevational view being a mirror image thereof;
 FIG. 5 is a front elevational view thereof;
 FIG. 6 is a rear elevational view thereof;
 FIG. 7 is a top, front, and right perspective view of the second embodiment of a surge protector with a pivotable cover element according to the present invention, the cover element being shown in a position over the front end of the surge protector;
 FIG. 8 is a top view of the surge protector with cover element of FIG. 7;
 FIG. 9 is a bottom view of the surge protector with cover element of FIG. 7;
 FIG. 10 is a left side elevational view of the surge protector with cover element of FIG. 7, the right side elevational view being a mirror image thereof;
 FIG. 11 is a front elevational view of the surge protector with cover element of FIG. 7;
 FIG. 12 is a rear elevational view of the surge protector with cover element of FIG. 7;
 FIG. 13 is a top, rear, and left perspective view of the third embodiment of a surge protector with the cord reel accessory mounted on the surge protector, the cord on the cord reel accessory being shown in broken lines and therefore not constituting a part of the claimed design;
 FIG. 14 is a top, rear, and left perspective view of the fourth embodiment of a surge protector with the cord reel accessory mounted on the surge protector; the pivotable cover element shown in position over the cord reel accessory and the cord on the cord reel accessory being shown in broken lines and therefore not constituting a part of the claimed design; and,
 FIG. 15 is a top, rear, and left perspective view of the fourth embodiment of a surge protector with the pivotable cover element being shown in a position over the front end of the surge protector; the cord on the cord reel accessory being shown in broken lines and therefore not constituting a part of the claimed design.

The surfaces or portions of the article not shown in the drawing or described in the specification form no part of the claimed design.

1 Claim, 11 Drawing Sheets



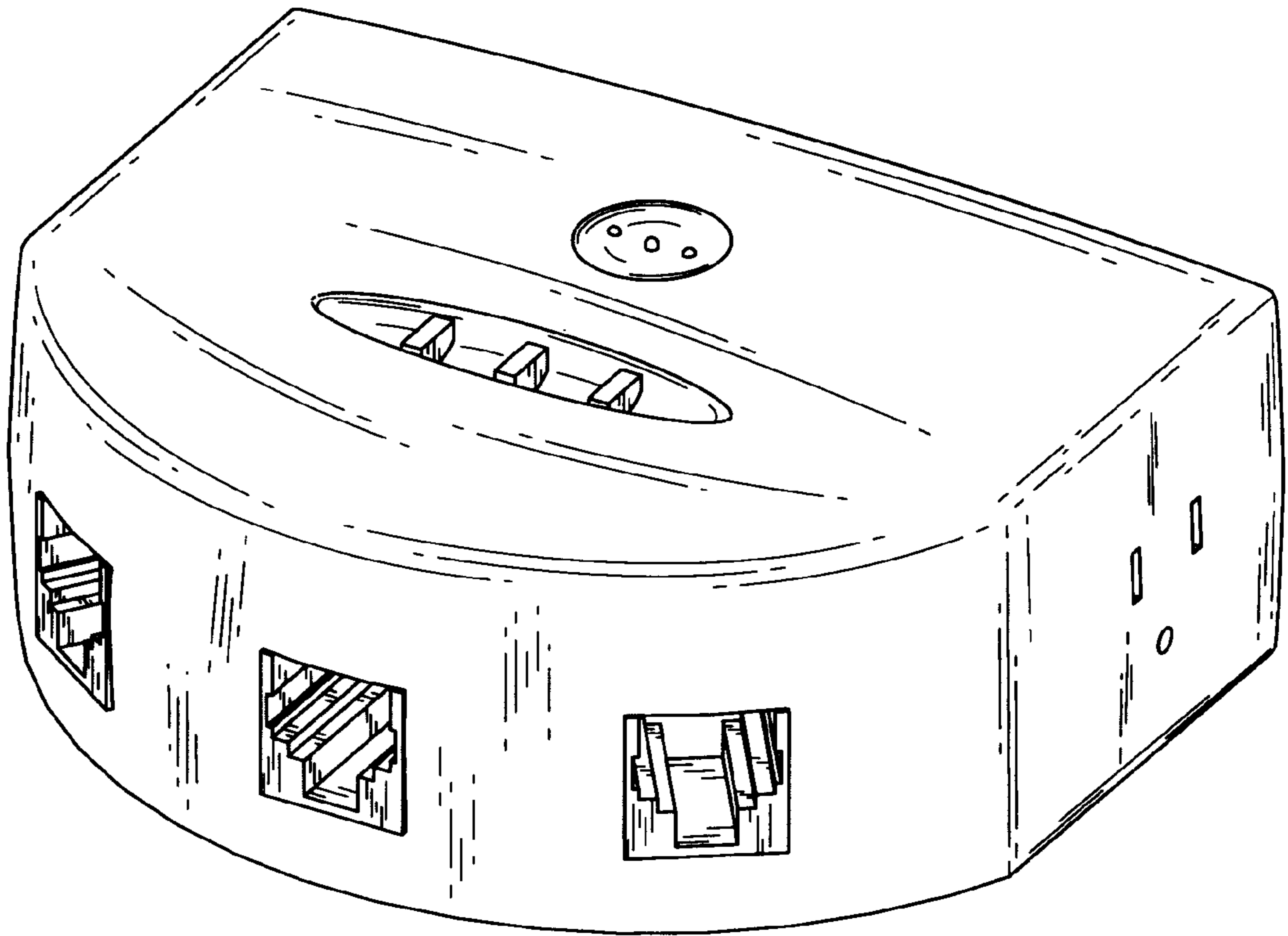


FIG. 1

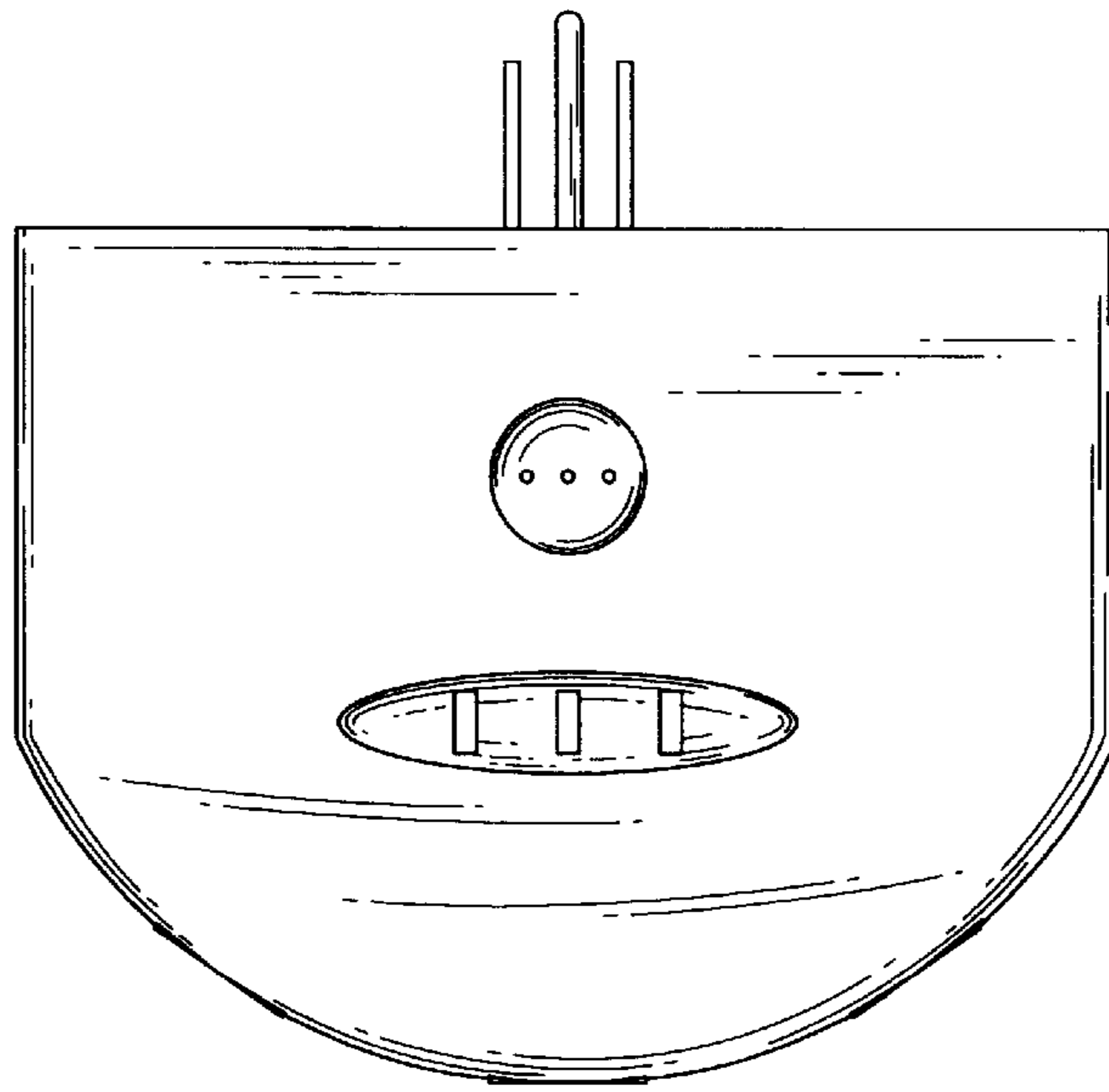


FIG. 2

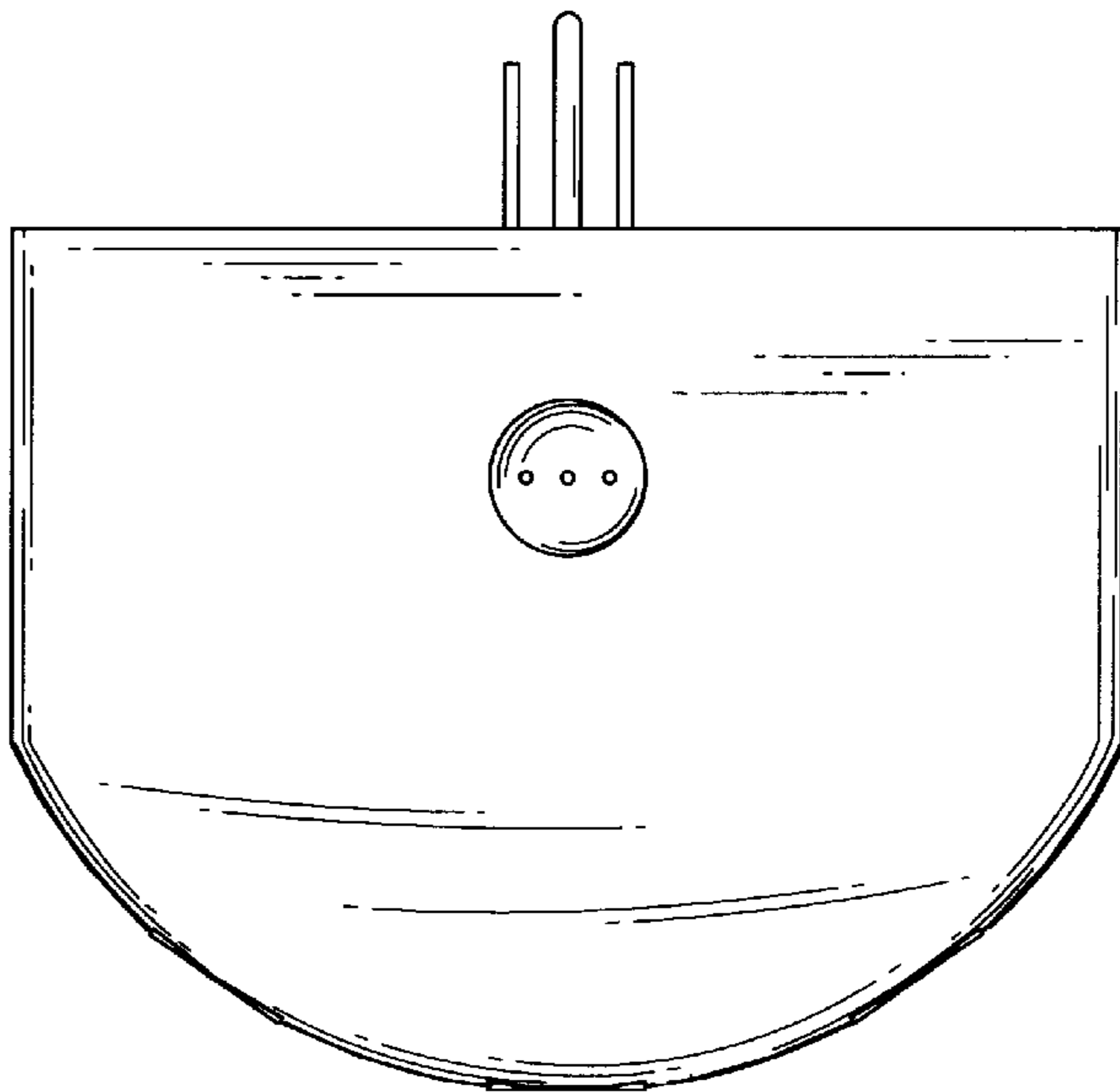


FIG. 3

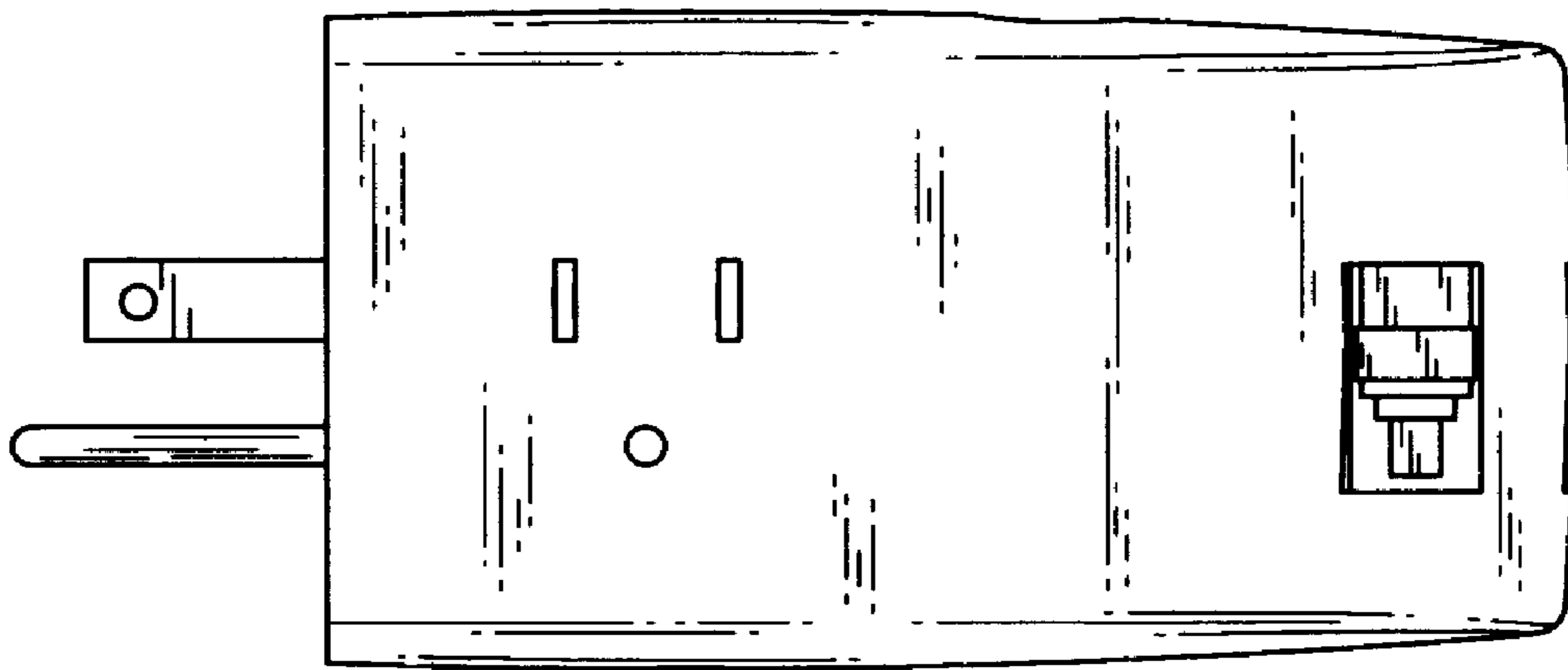


FIG. 4

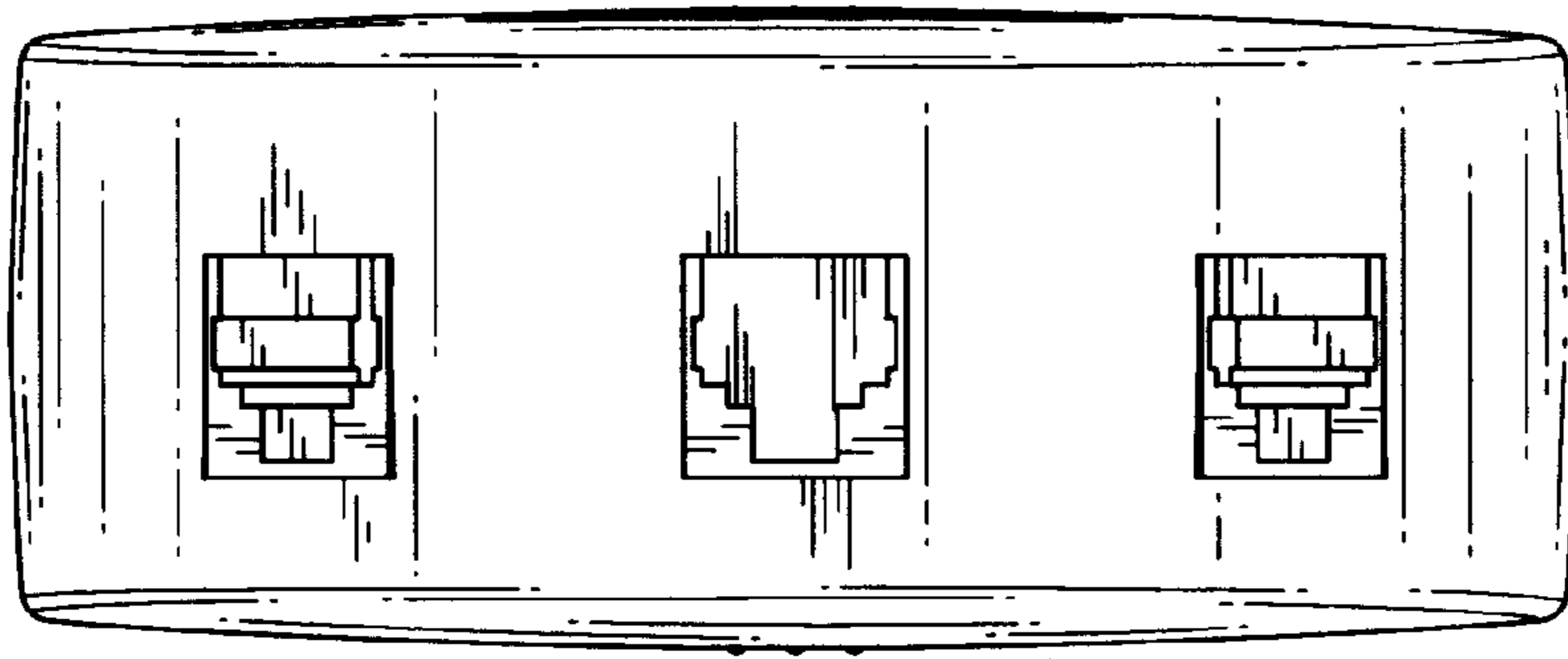


FIG. 5

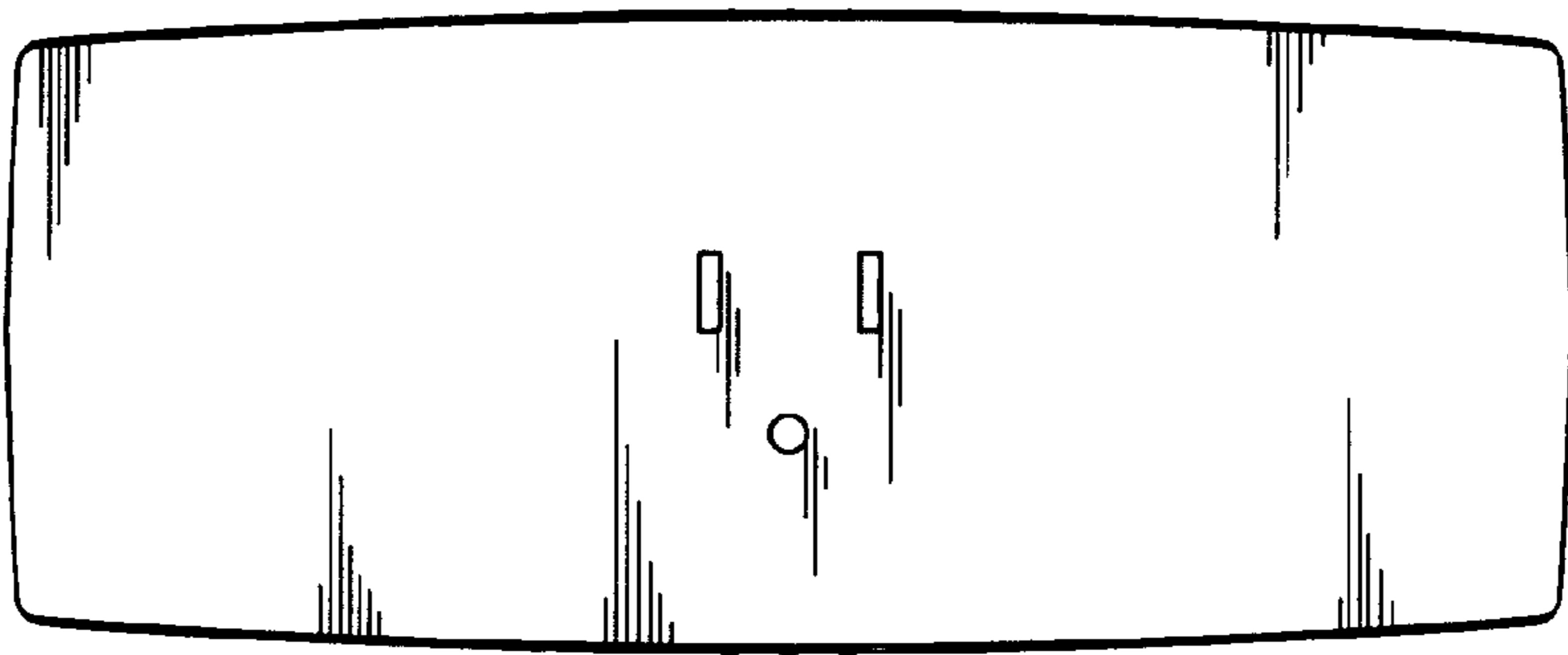


FIG. 6

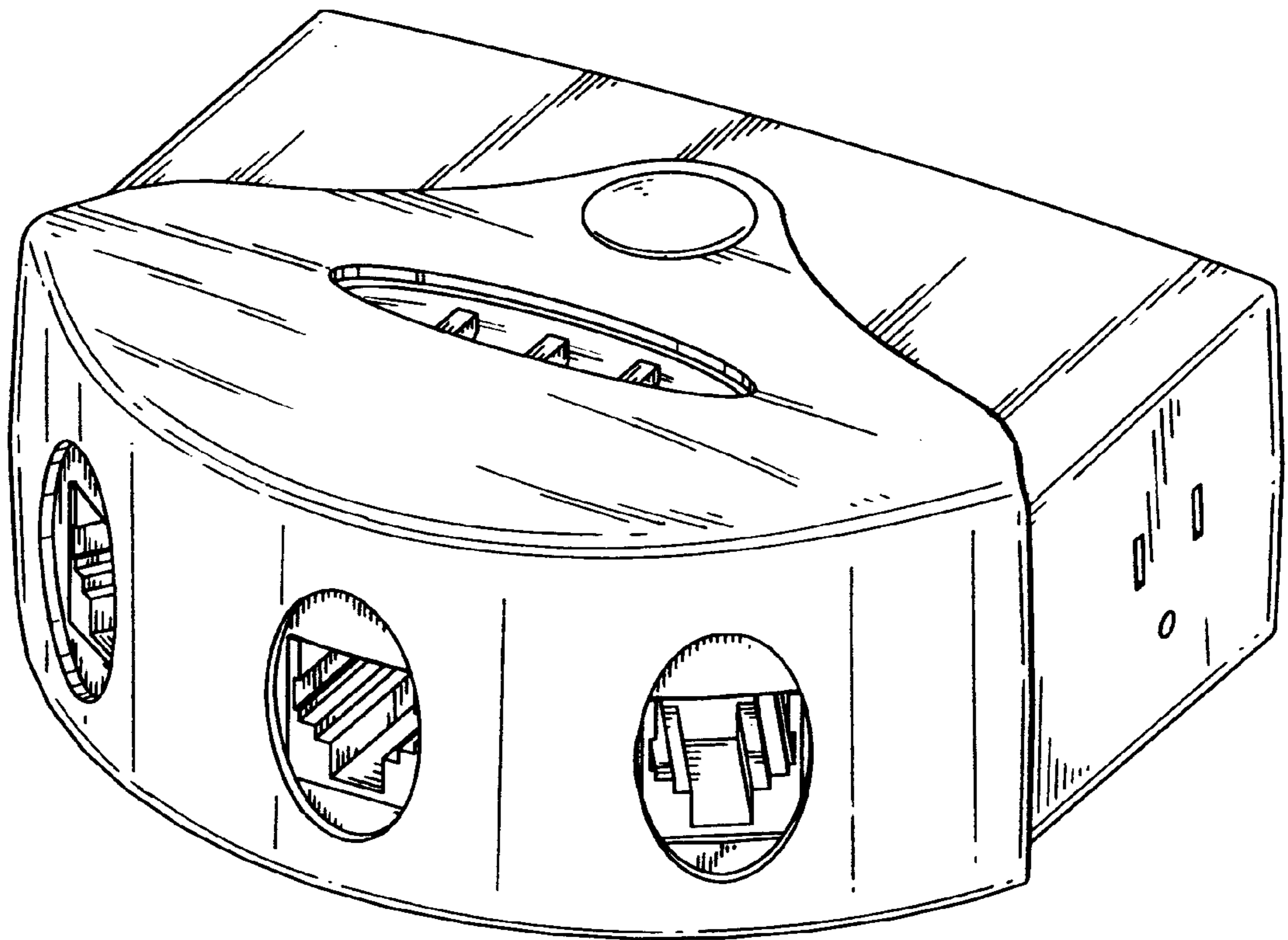


FIG. 7

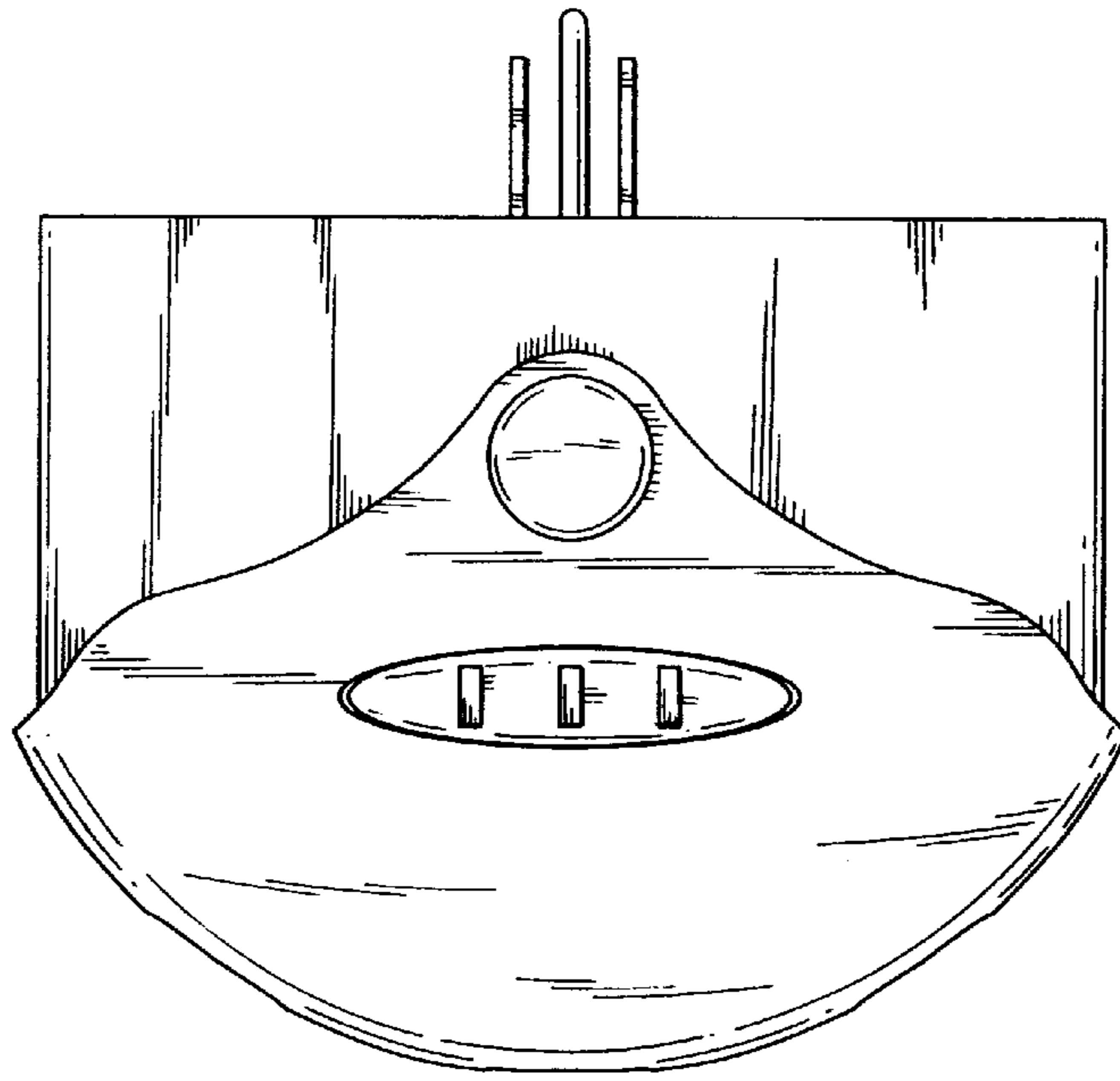


FIG. 8

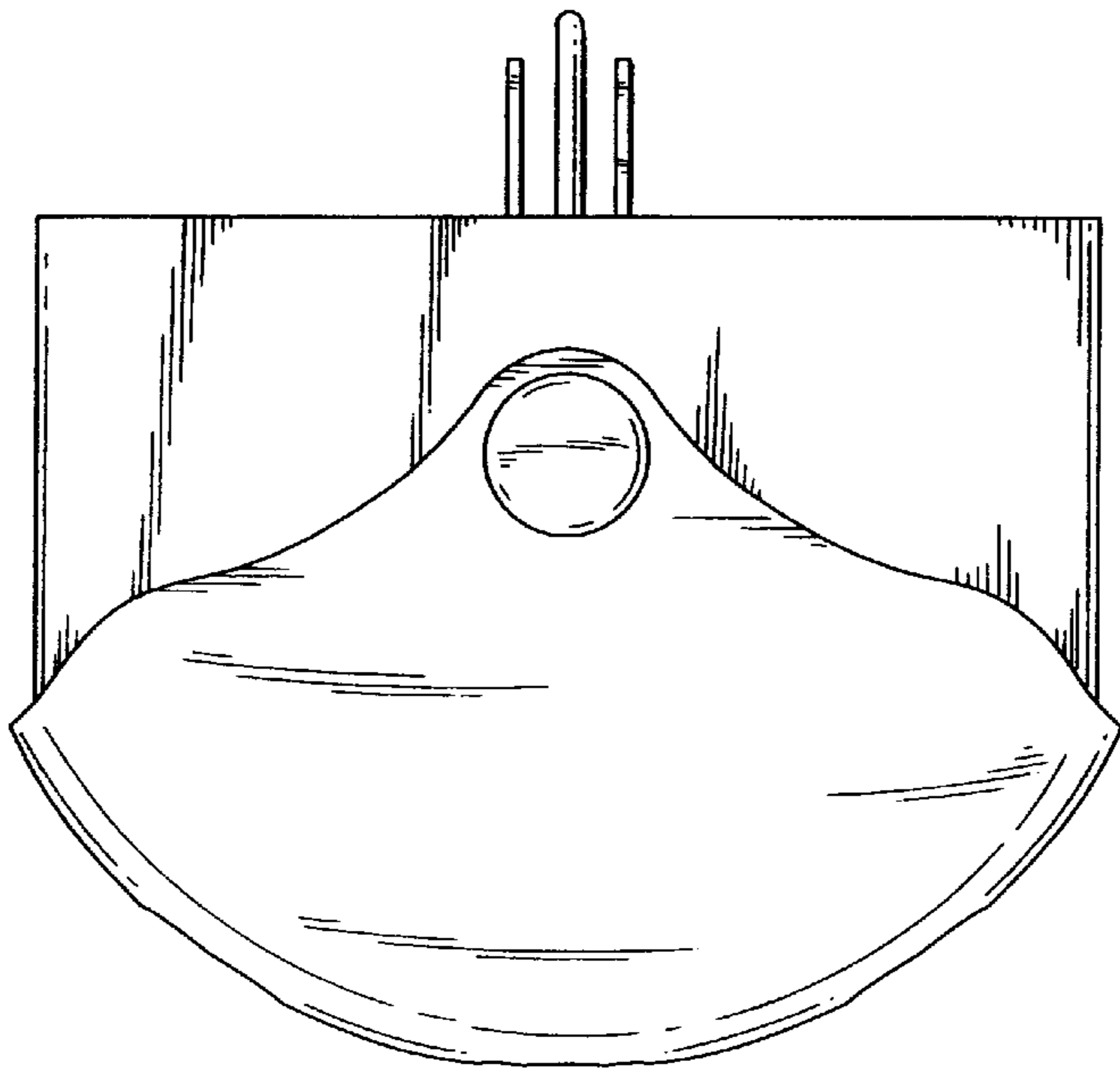


FIG. 9

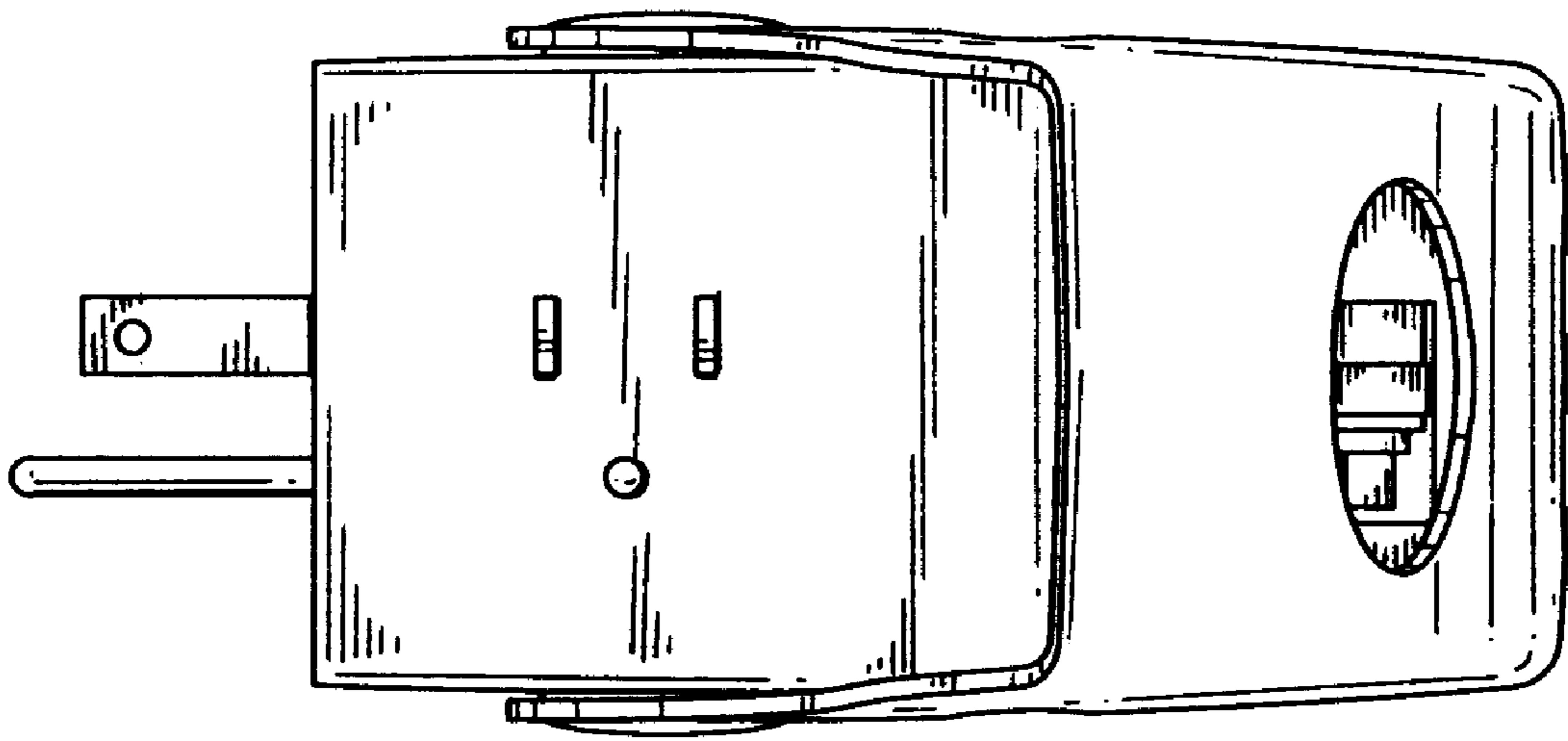


FIG. 10

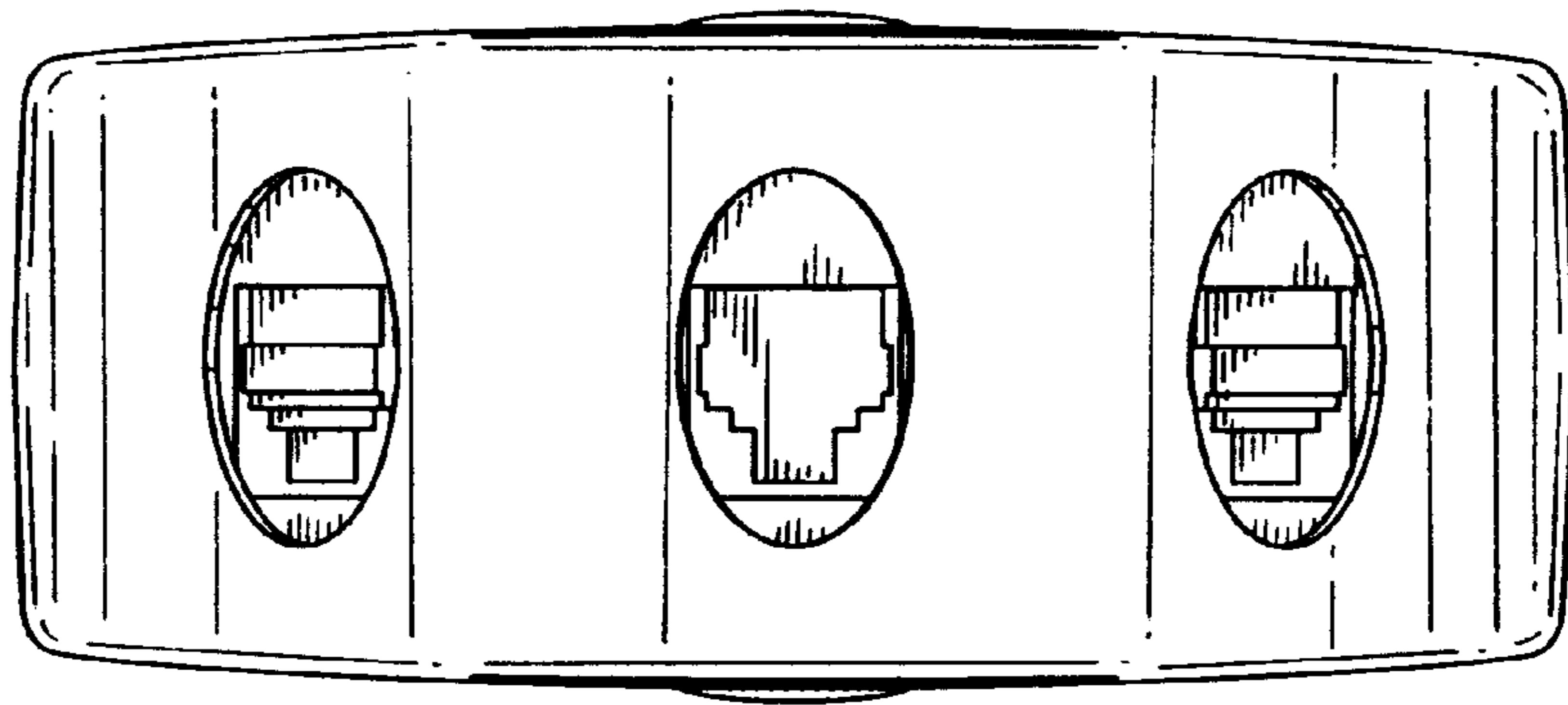


FIG. 11

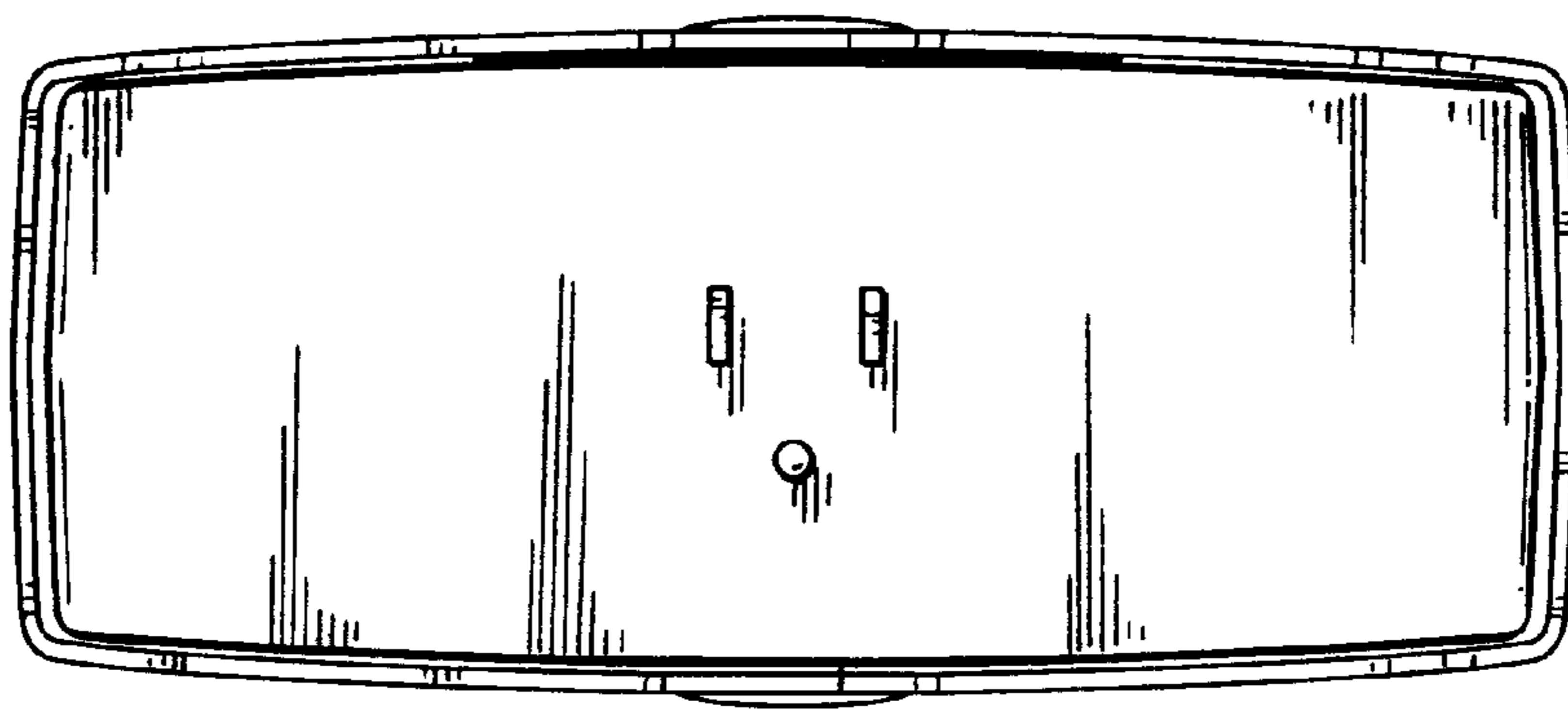


FIG. 12

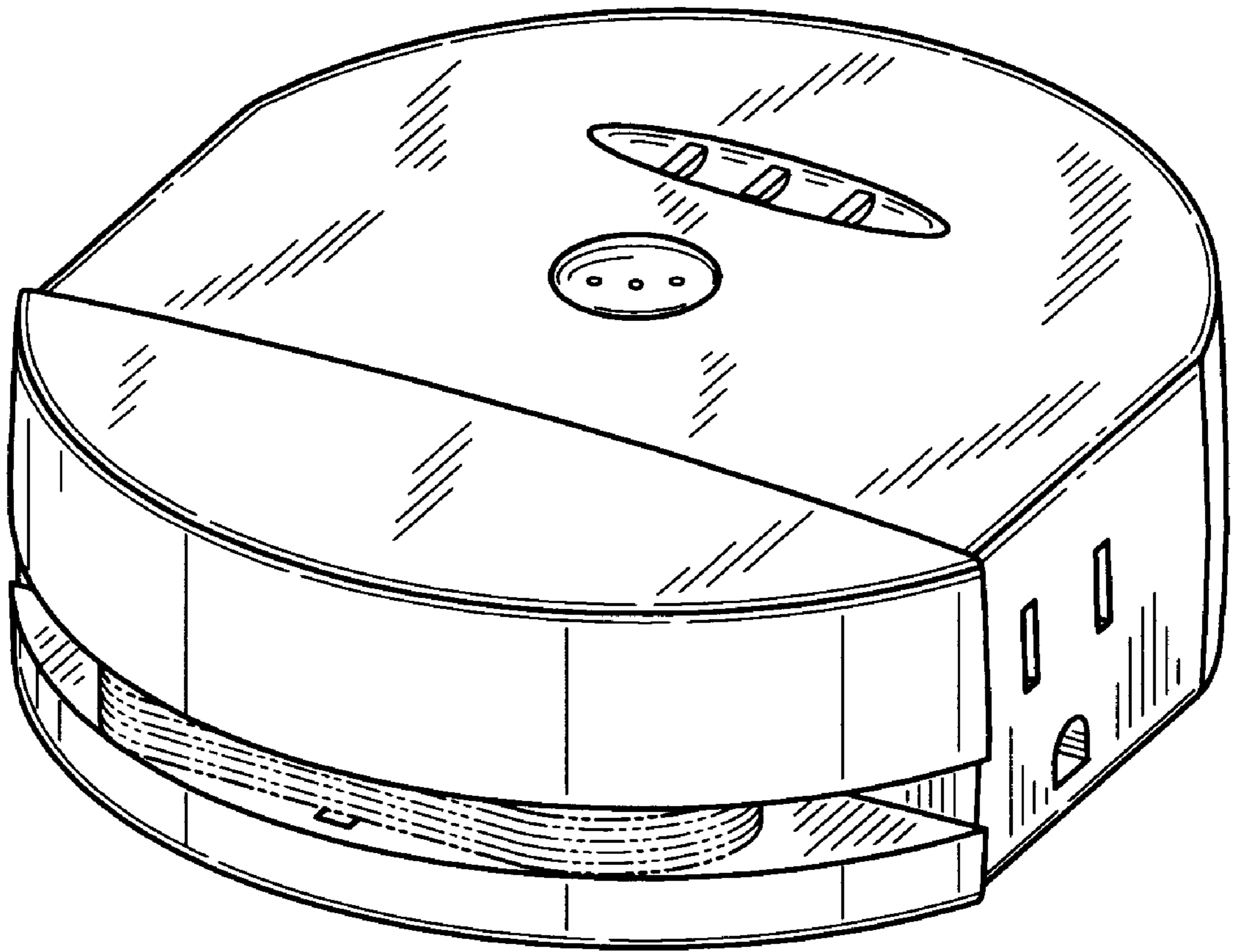


FIG. 13

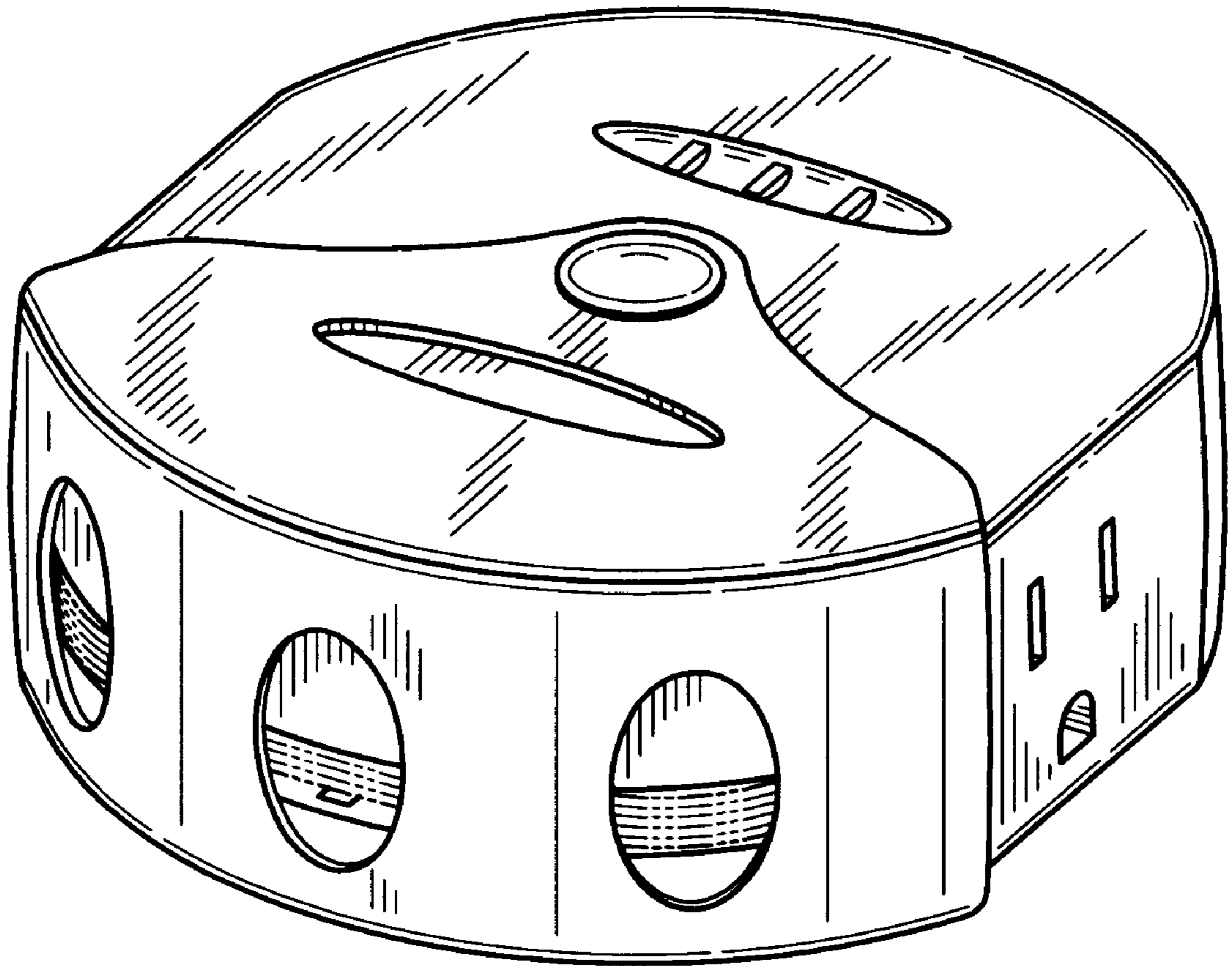


FIG. 14

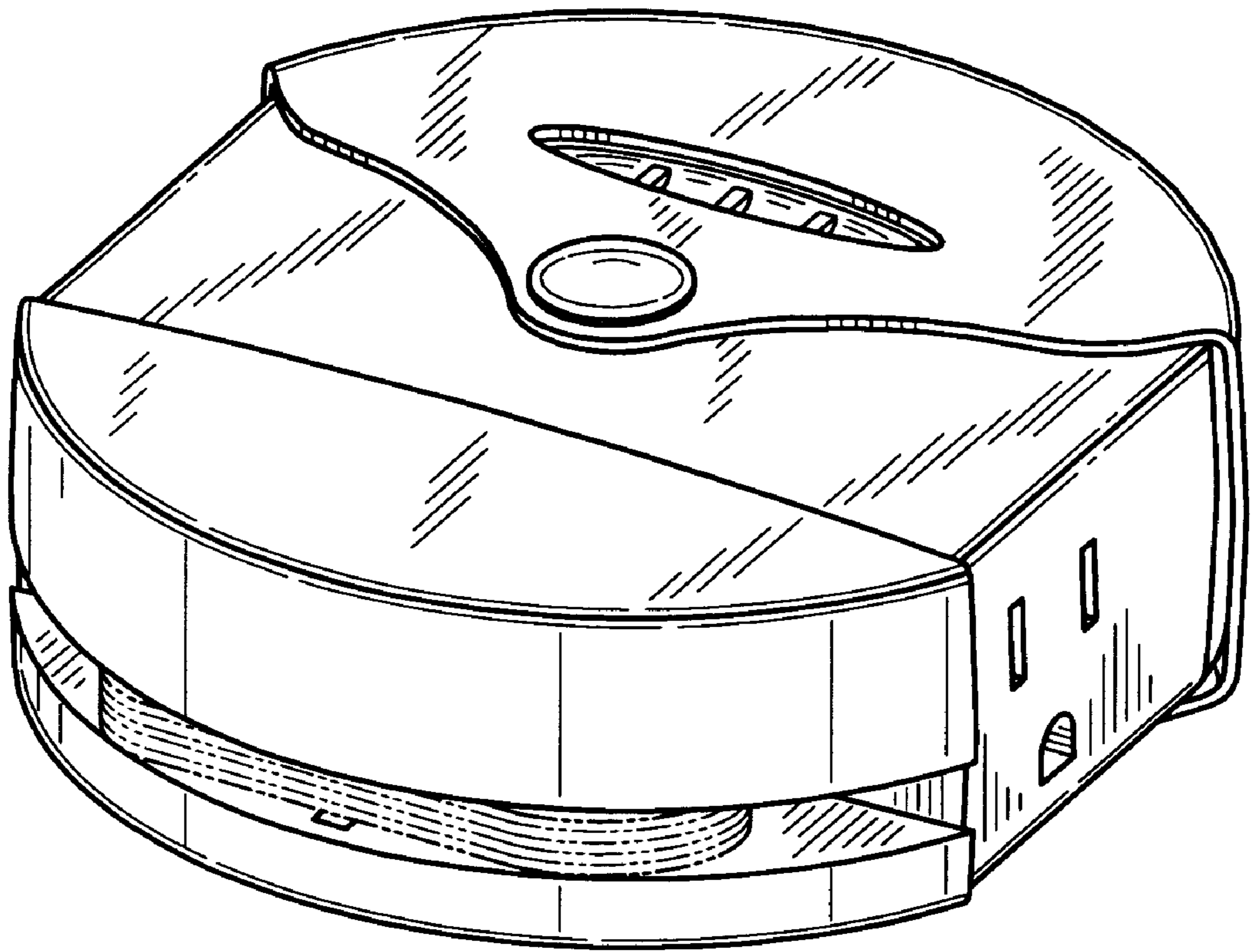


FIG. 15