



US00D432988S

# United States Patent [19] Kuroda

[11] **Patent Number: Des. 432,988**

[45] **Date of Patent: \*\* Oct. 31, 2000**

[54] **CONNECTOR HOUSING**

[75] Inventor: **Keiji Kuroda**, Amagasaki, Japan

[73] Assignee: **Japan Solderless Terminal Mfg. Co., Ltd.**, Osaka, Japan

[\*\*] Term: **14 Years**

[21] Appl. No.: **29/108,141**

[22] Filed: **Jul. 22, 1999**

[30] **Foreign Application Priority Data**

Jan. 28, 1999 [JP] Japan ..... 11-2178

[51] **LOC (7) Cl.** ..... **13-03**

[52] **U.S. Cl.** ..... **D13/133**

[58] **Field of Search** ..... D13/133; 439/578, 439/596, 682, 686, 691, 695, 752, 879

[56] **References Cited**

**U.S. PATENT DOCUMENTS**

3,673,542	6/1972	Stefano et al. ....	439/682
4,556,275	12/1985	Hamsher, Jr. ....	439/736
4,627,674	12/1986	Hamsher, Jr. et al. ....	439/695 X
4,767,361	8/1988	Hoshino et al. ....	439/752 X
5,184,965	2/1993	Myschik et al. ....	439/578
5,474,471	12/1995	Tanaka ....	439/596

*Primary Examiner*—Joel Sincavage  
*Attorney, Agent, or Firm*—Antonelli, Terry, Stout & Kraus, LLP

[57] **CLAIM**

The ornamental design for a connector housing, as shown and described.

**DESCRIPTION**

FIG. 1 is a top plan view of a connector housing showing my new design;  
 FIG. 2 is a bottom plan view thereof;  
 FIG. 3 is a front elevation thereof;  
 FIG. 4 is a rear elevation thereof;  
 FIGS. 5 and 6 are right-hand and left-hand elevations, respectively;  
 FIG. 7 is a cross section taken along the line 7—7 in FIG. 5;  
 FIG. 8 is a cross section corresponding to FIG. 7 but including the adjacent parts of relevant members that may be involved when using the connector housing; the broken lines showing the wire ends and socket contacts are included for the purpose of illustrating environmental structure only and form no part of the claimed design; and,  
 FIG. 9 is a perspective view of the connector housing, with one part thereof being shown in a disassembled state; the claimed design is directed to the connector housing in its assembled state and is shown partially disassembled for the purpose of clarifying aspects of the assembled appearance that might not otherwise be apparent from the other views.

**1 Claim, 3 Drawing Sheets**

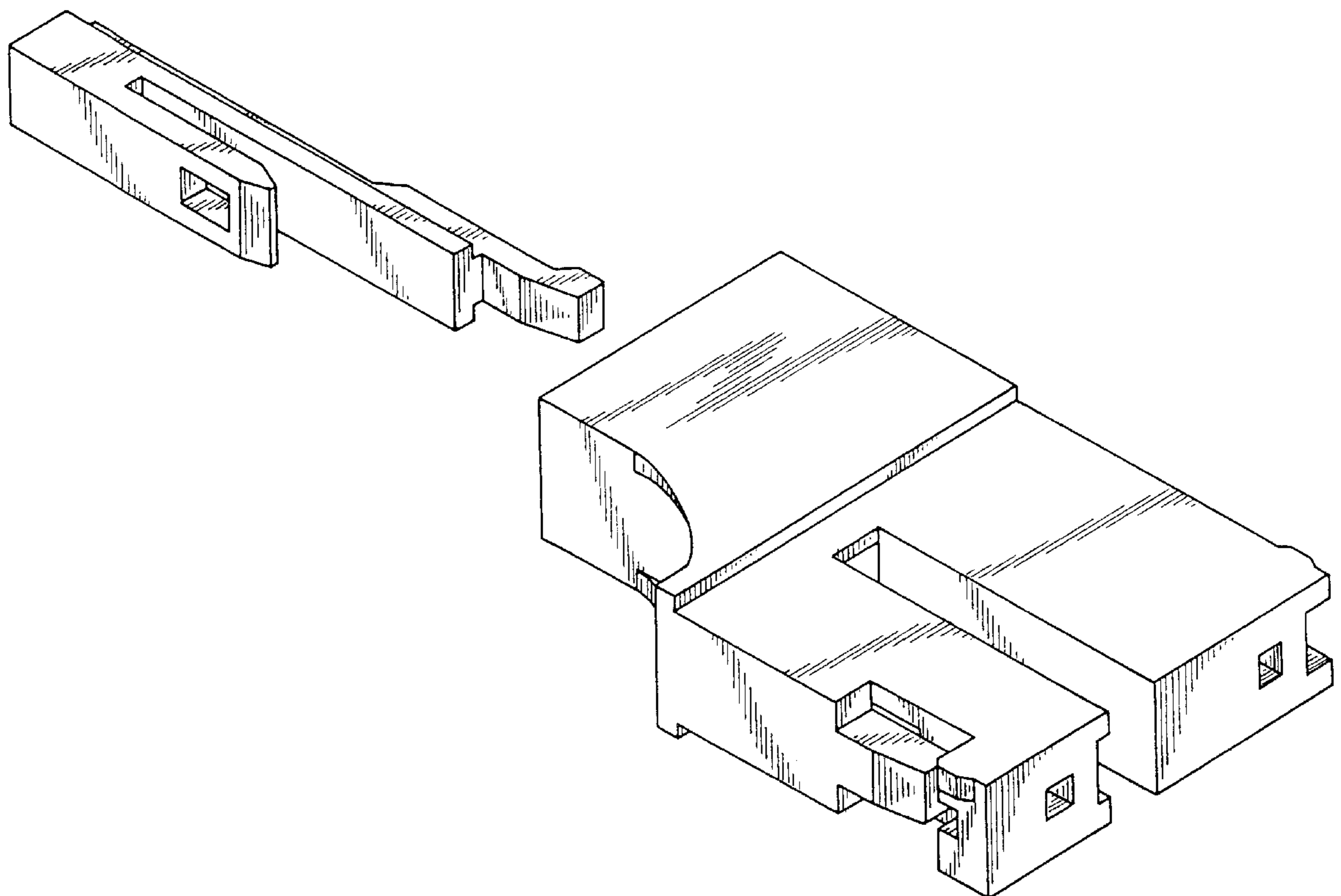


FIG. 1

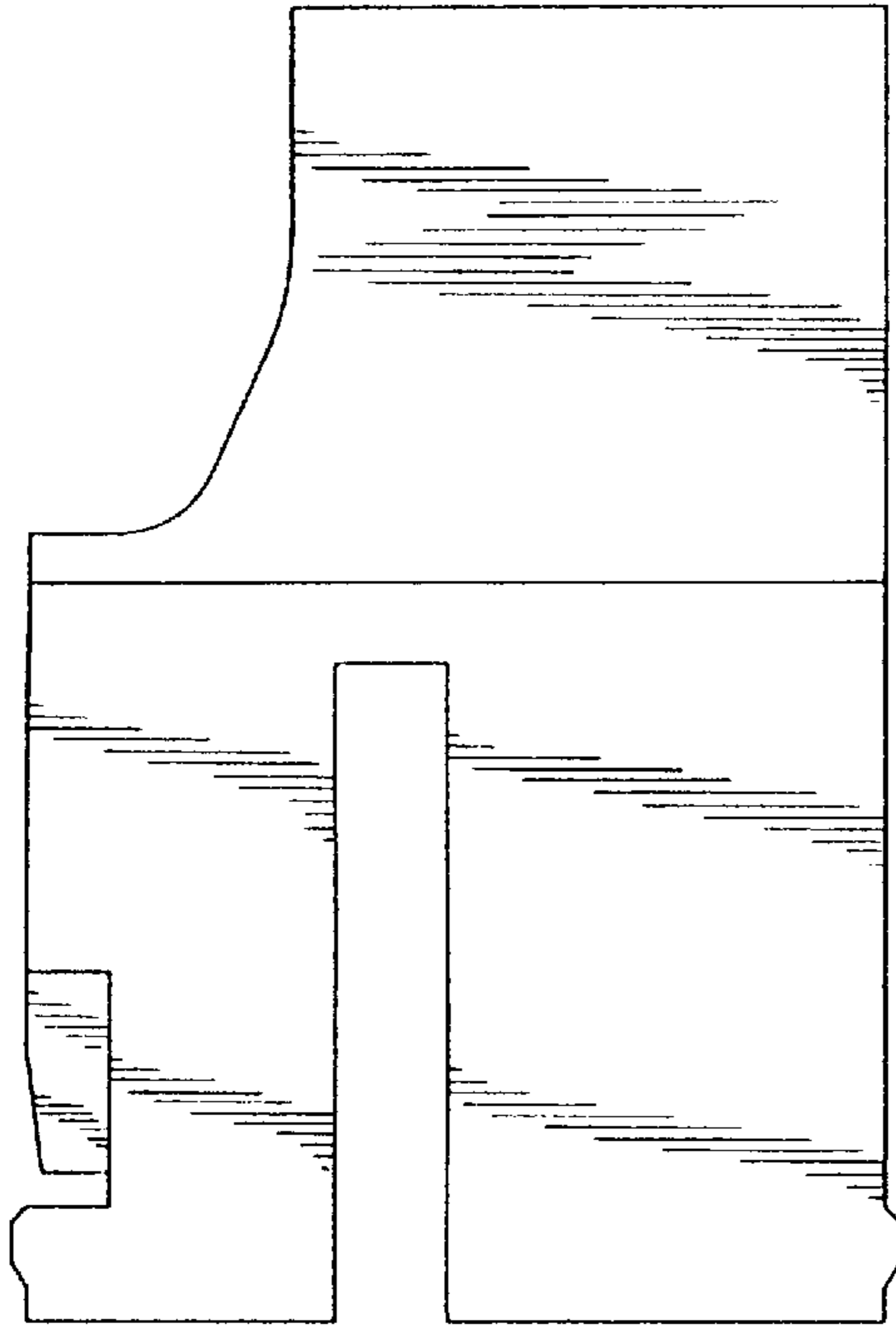


FIG. 2

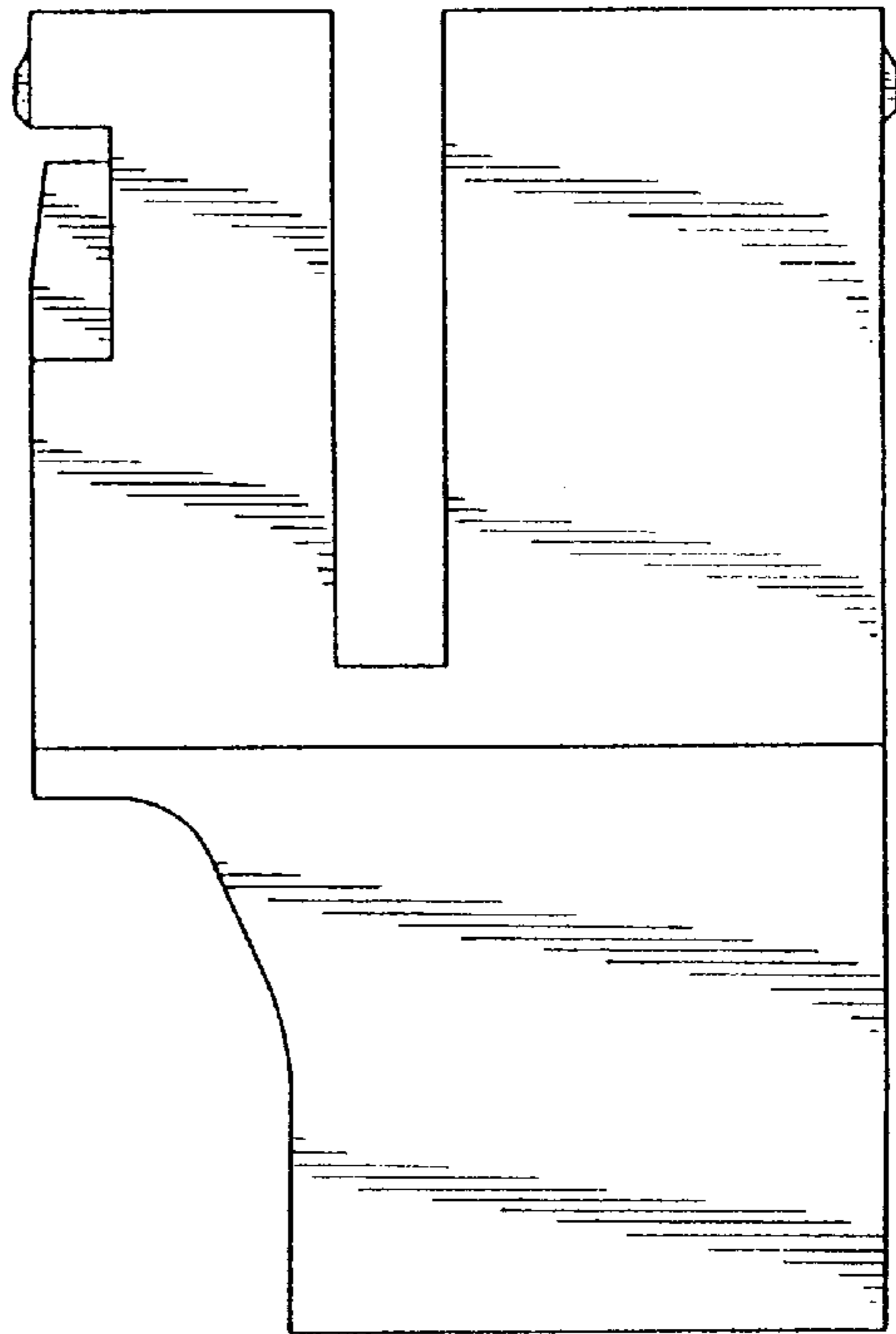


FIG. 3

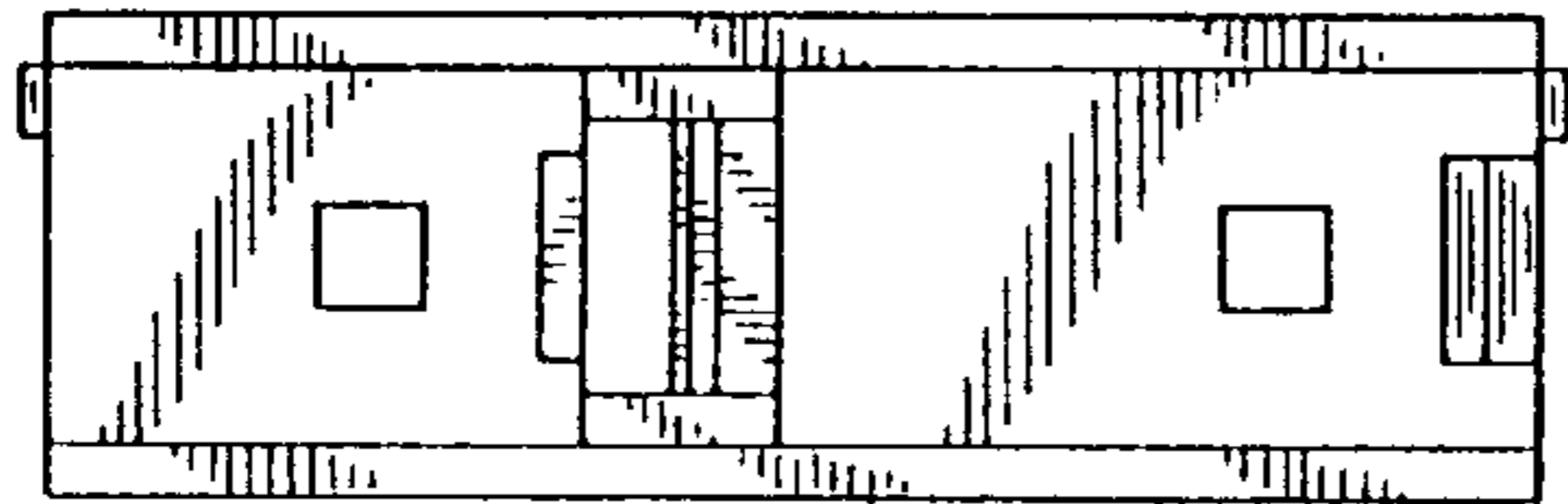


FIG. 4

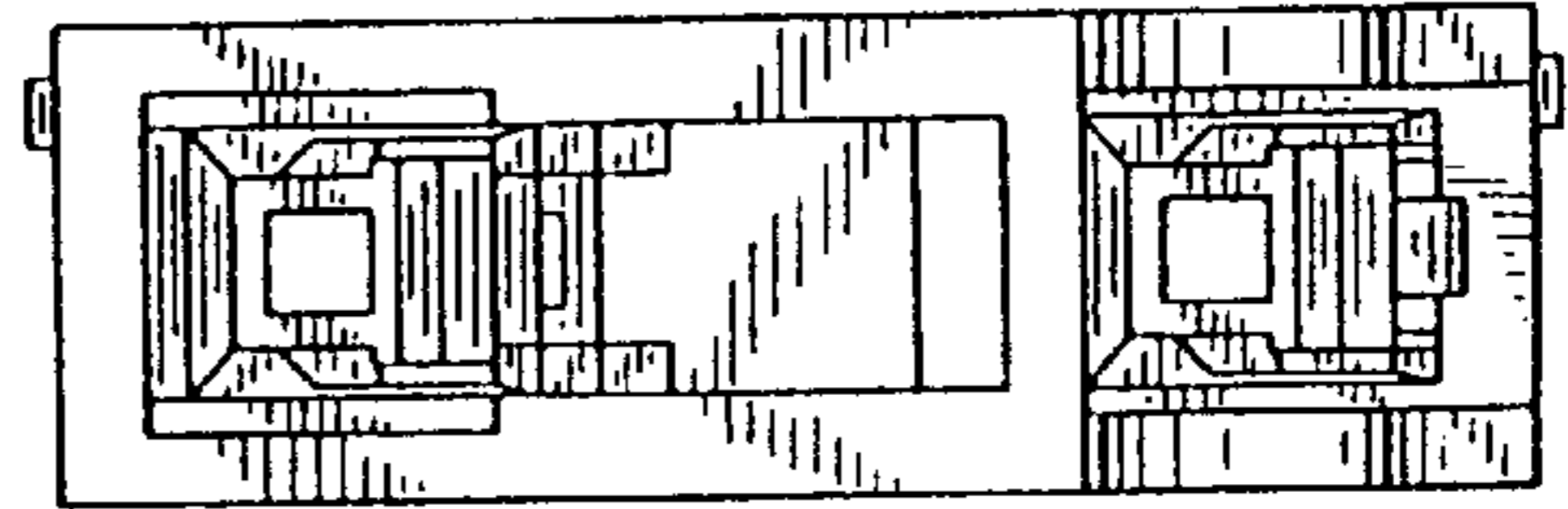


FIG. 5

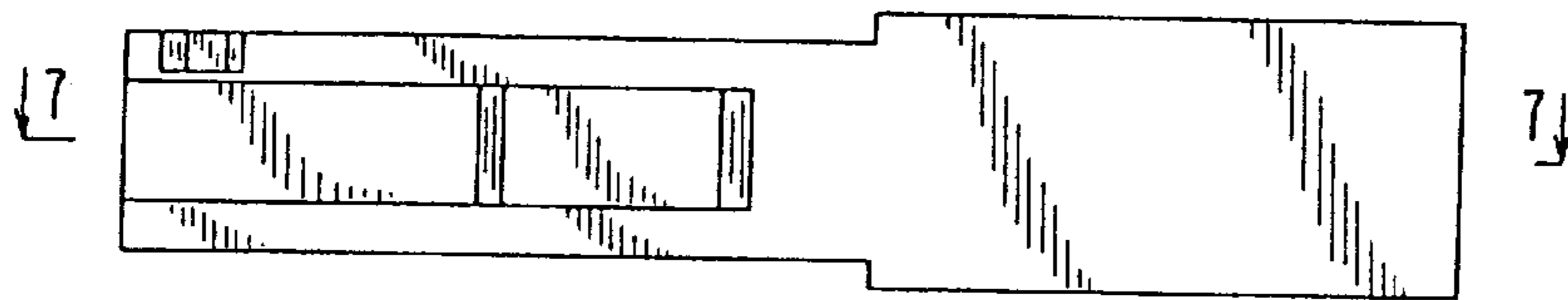


FIG. 6

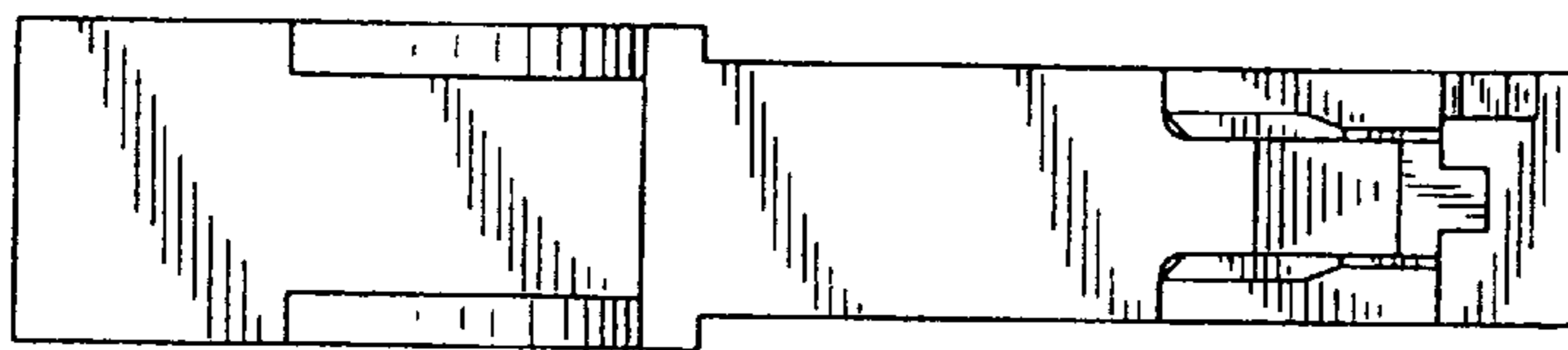


FIG. 7

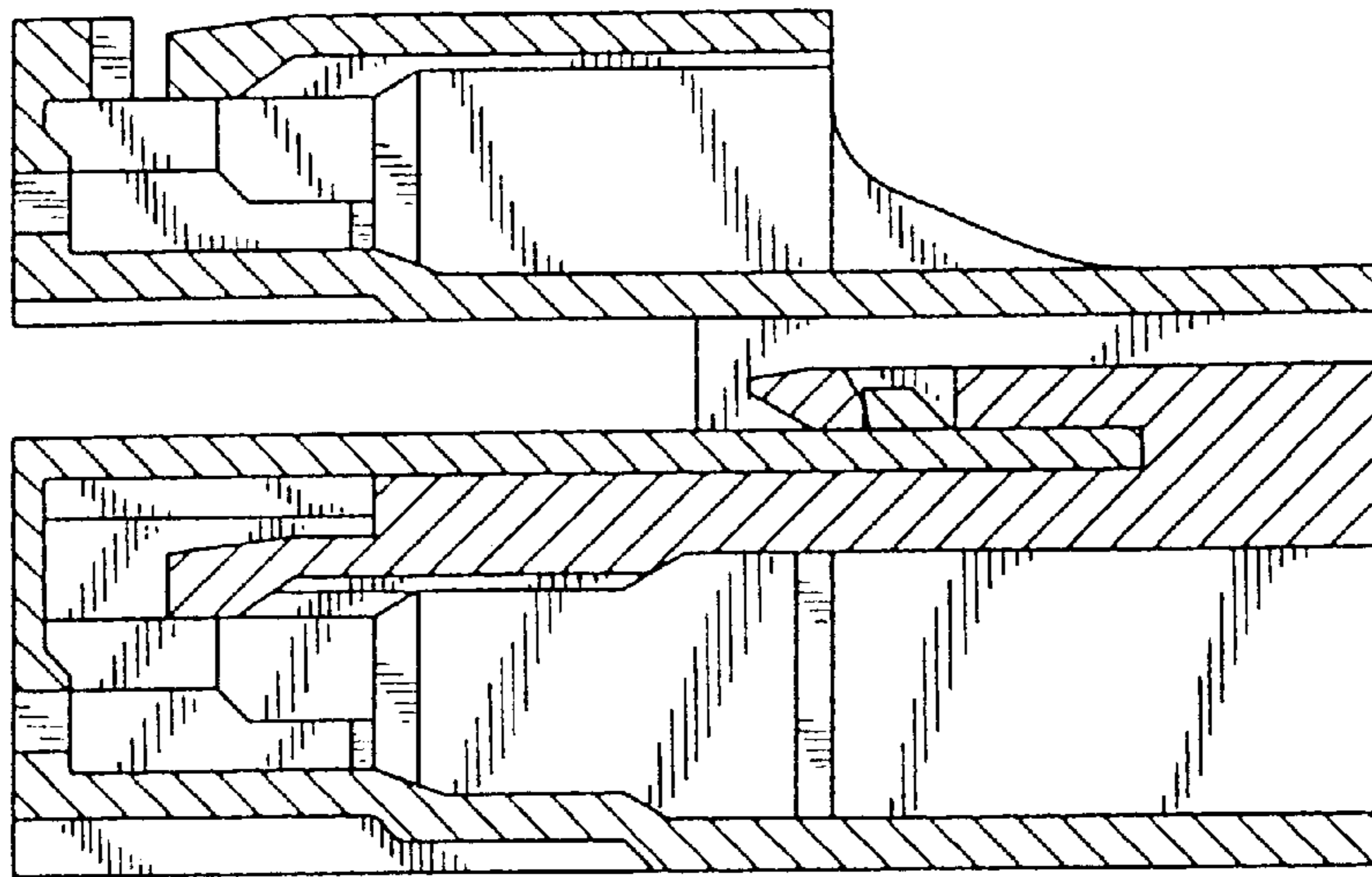


FIG. 8

