



US00D432987S

United States Patent [19]

Seo et al.

[11] Patent Number: **Des. 432,987**

[45] Date of Patent: **** Oct. 31, 2000**

[54] **SIGNAL CONVERTER**

[75] Inventors: **Makoto Seo; Tetsuya Senba**, both of Ibaraki-ken, Japan

[73] Assignee: **SMC Kabushiki Kaisha**, Tokyo, Japan

[**] Term: **14 Years**

[21] Appl. No.: **29/120,641**

[22] Filed: **Mar. 23, 2000**

[30] Foreign Application Priority Data

Oct. 1, 1999 [JP] Japan 11-26663

[51] **LOC (7) Cl.** **13-02**

[52] **U.S. Cl.** **D13/123**

[58] **Field of Search** D13/123, 184, D13/162; D14/433, 434, 357, 358; 174/52.1; 137/884

[56] References Cited

U.S. PATENT DOCUMENTS

D. 350,544 9/1994 Sakuta et al. D14/240
3,904,812 9/1975 Daffron 174/52.1 X

5,020,149	5/1991	Hemie	455/325
5,029,958	7/1991	Hodge et al.	385/100
5,192,832	3/1993	Rudy, Jr. et al.	174/52.1
5,491,472	2/1996	Kurtz	137/884
5,566,718	10/1996	Nagai et al.	137/884
5,617,338	4/1997	Sugano et al.	364/558
5,617,898	4/1997	Nagai et al.	137/884
5,699,834	12/1997	Hayashi et al.	137/884

Primary Examiner—Joel Sincavage
Attorney, Agent, or Firm—Frishauf, Holtz, Goodman, Langer & Chick, P.C.

[57] CLAIM

The ornamental design for a signal converter, as shown.

DESCRIPTION

FIG. 1 is a top, front, right-side perspective view of a signal converter showing our new design; FIG. 2 is a front view thereof; FIG. 3 is a right side view thereof; FIG. 4 is a top plan view thereof; FIG. 5 is a bottom plan view thereof; FIG. 6 is a rear view thereof; and, FIG. 7 is a left side view thereof.

1 Claim, 3 Drawing Sheets

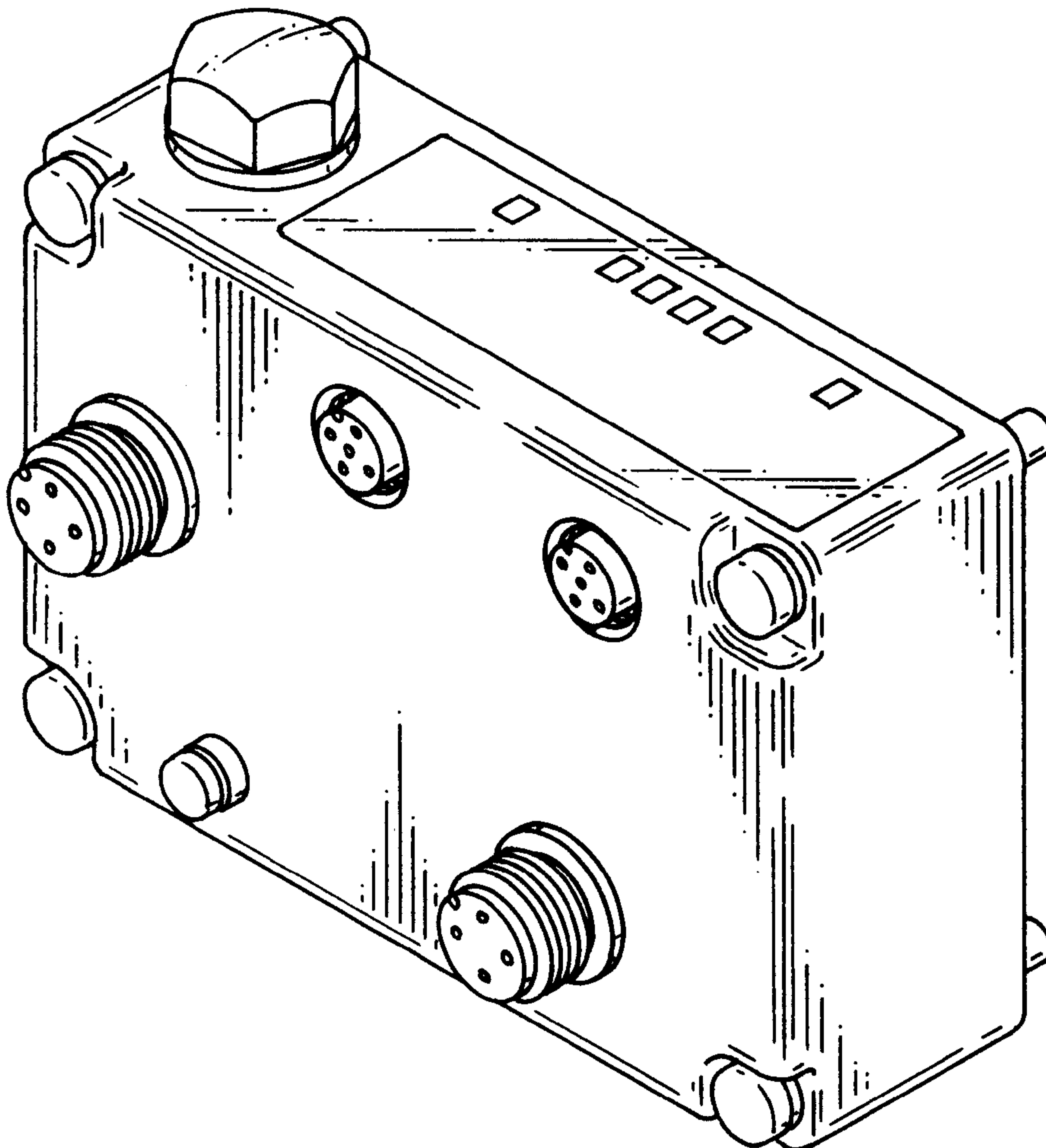


FIG. 1

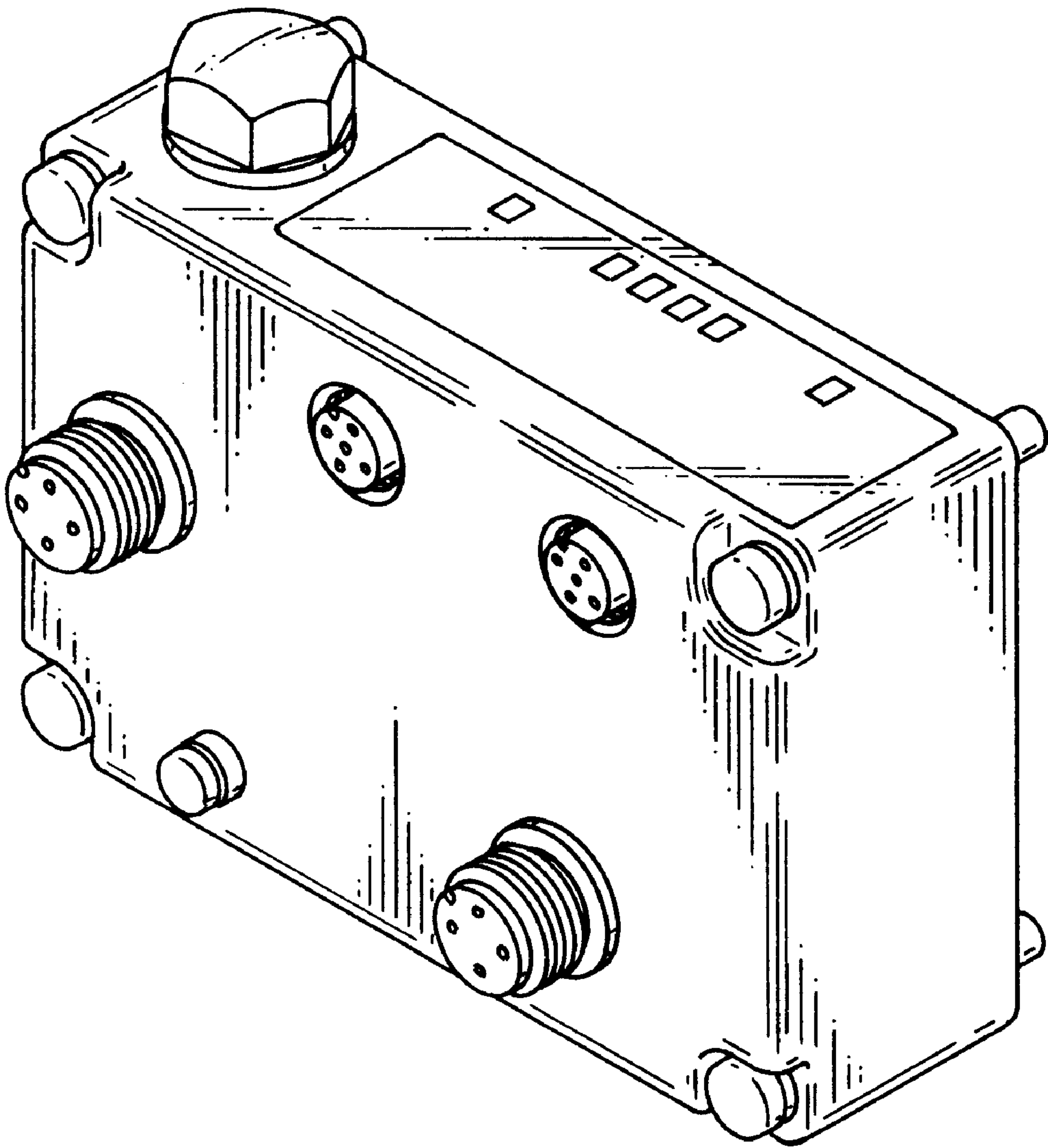


FIG. 4

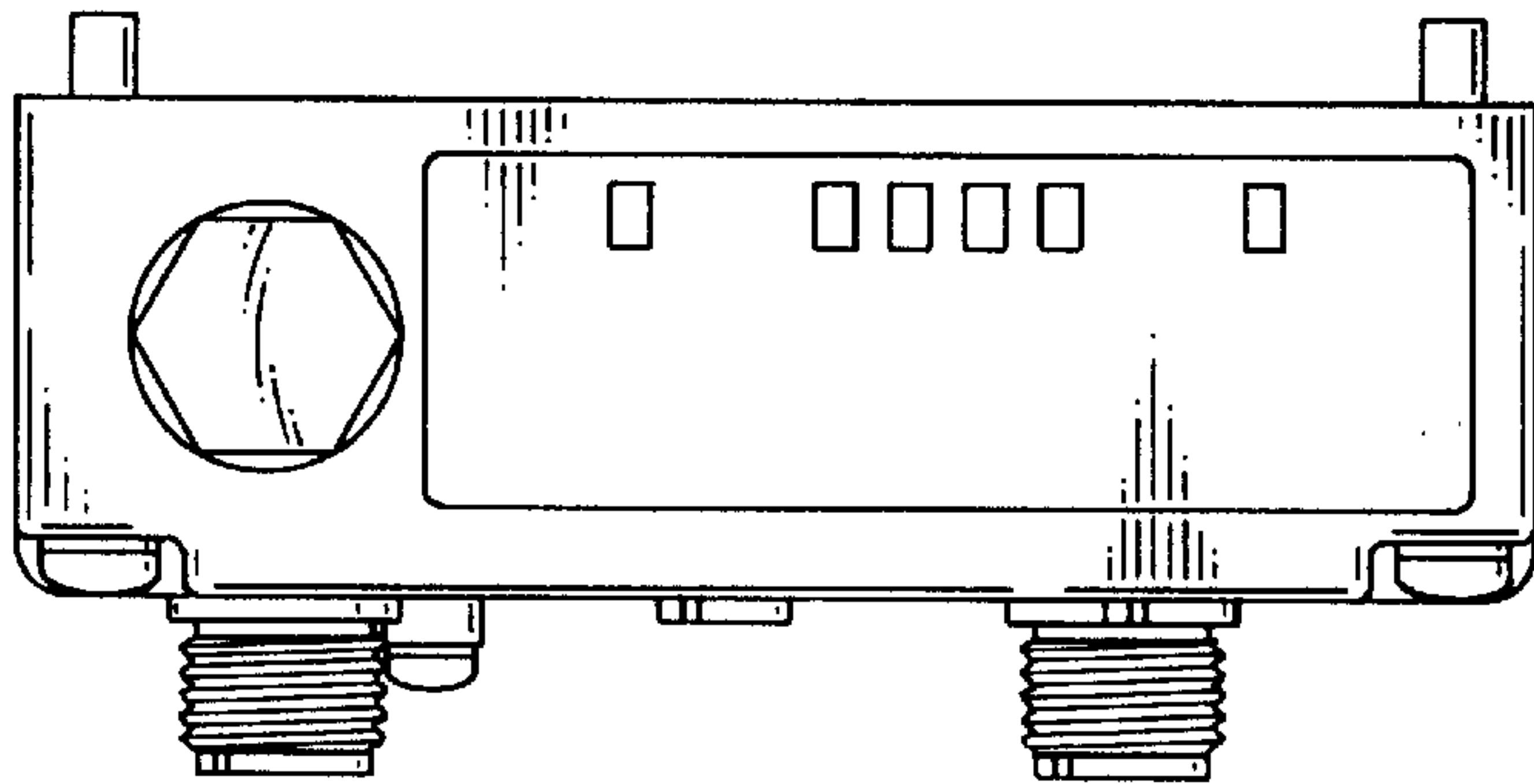


FIG. 2

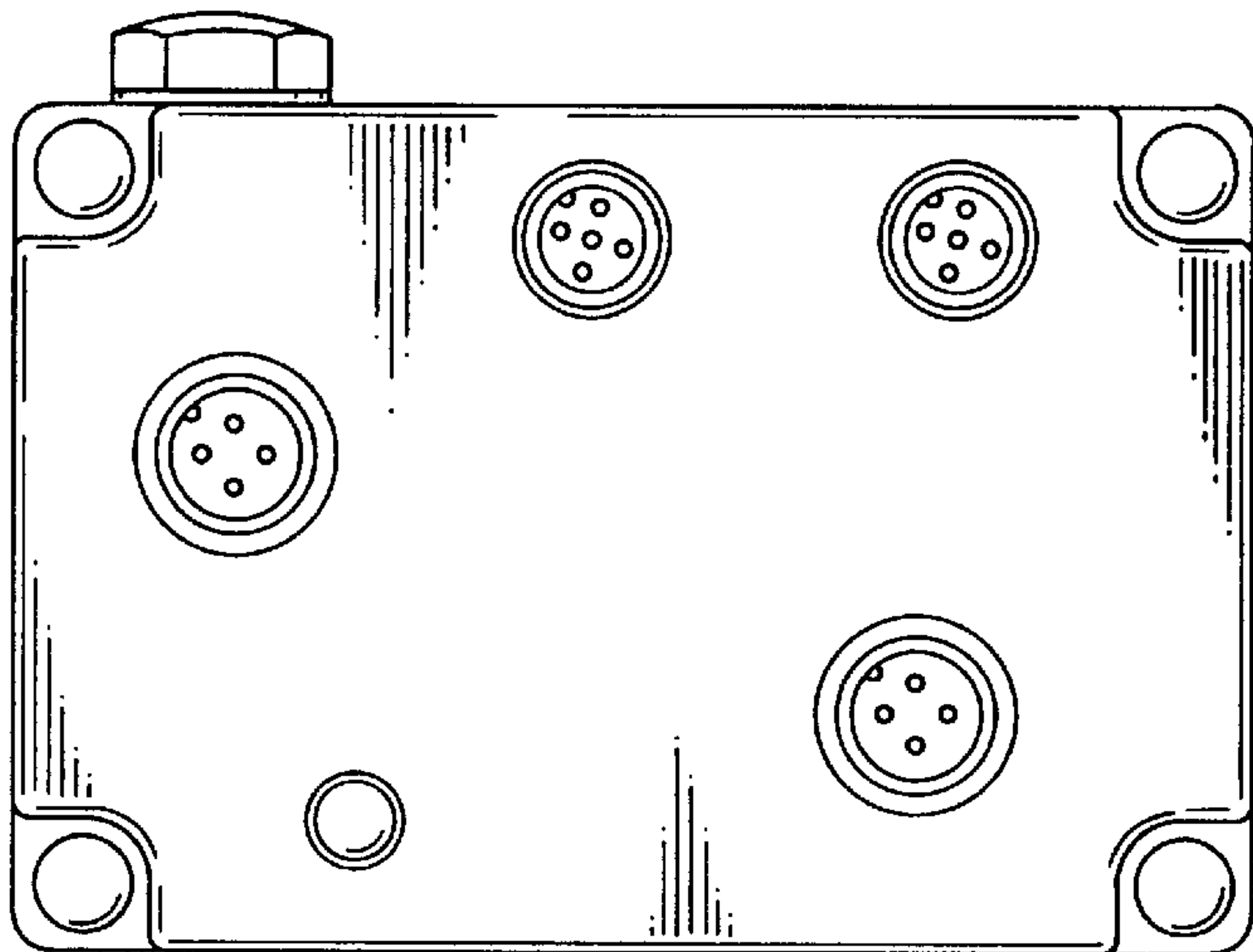


FIG. 3

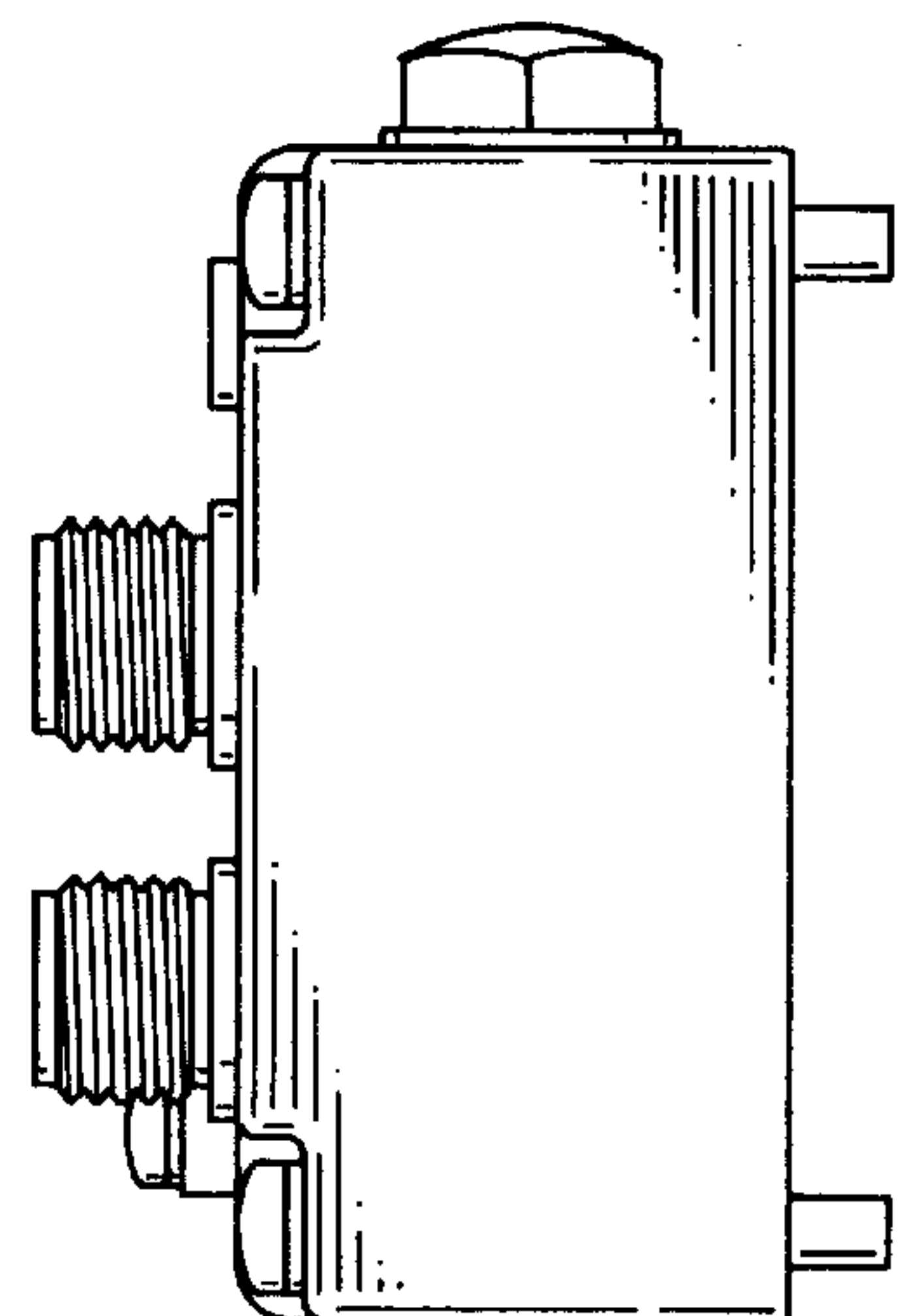


FIG. 5

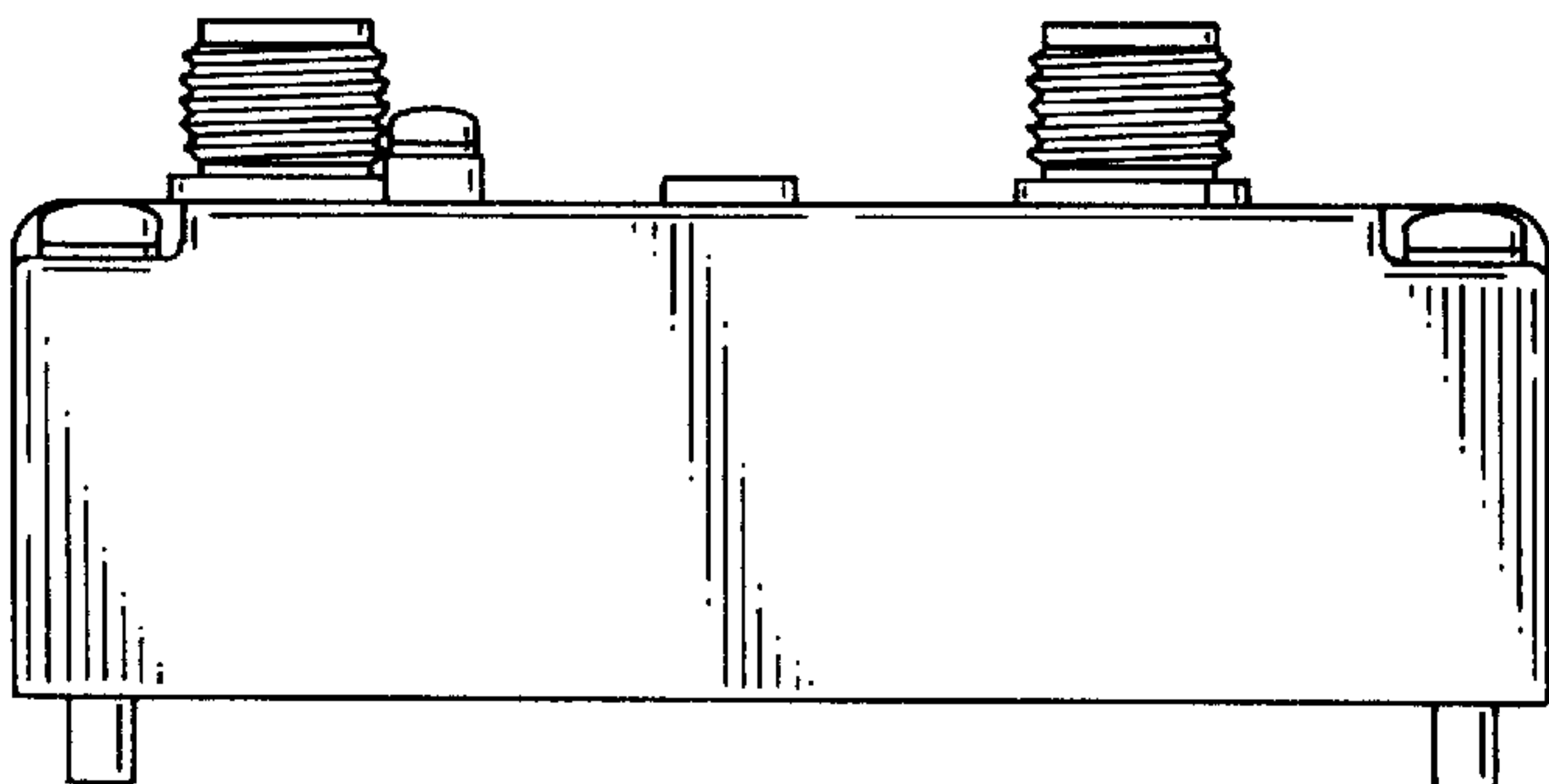


FIG. 6

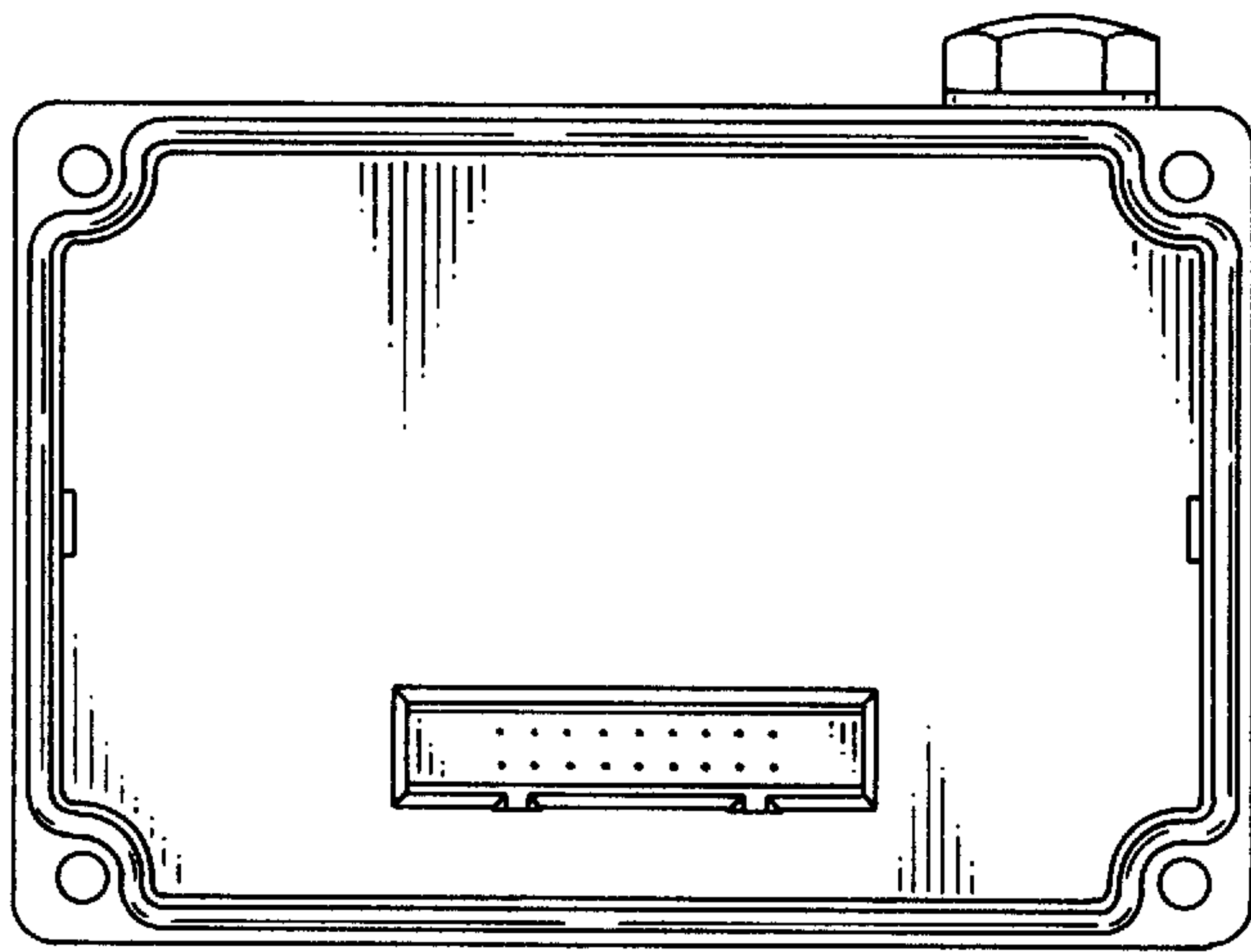


FIG. 7

