



US00D432984S

United States Patent [19] Krieger

[11] Patent Number: Des. 432,984

[45] Date of Patent: ** Oct. 31, 2000

[54] JUMPSTARTER DOCKING STATION

[75] Inventor: Michael Krieger, Miami Beach, Fla.

[73] Assignee: Vector Products, Inc., Ft. Lauderdale, Fla.

[**] Term: 14 Years

[21] Appl. No.: 29/109,118

[22] Filed: Aug. 11, 1999

[51] LOC (7) Cl. 13-02

[52] U.S. Cl. D13/107

[58] Field of Search D13/107, 108,
D13/119; D14/251, 253; 320/110-115

[56] References Cited

U.S. PATENT DOCUMENTS

D. 215,303	9/1969	Carpenter	D13/108
D. 328,450	8/1992	Watanabe et al.	D13/108
D. 358,154	5/1995	Jondelius	D14/253
D. 385,283	10/1997	Snyder et al.	D14/253
5,686,808	11/1997	Lutz	320/110
5,903,132	5/1999	Ohira et al.	320/112 X

Primary Examiner—Joel Sincavage
Attorney, Agent, or Firm—Venable; Robert Kinberg

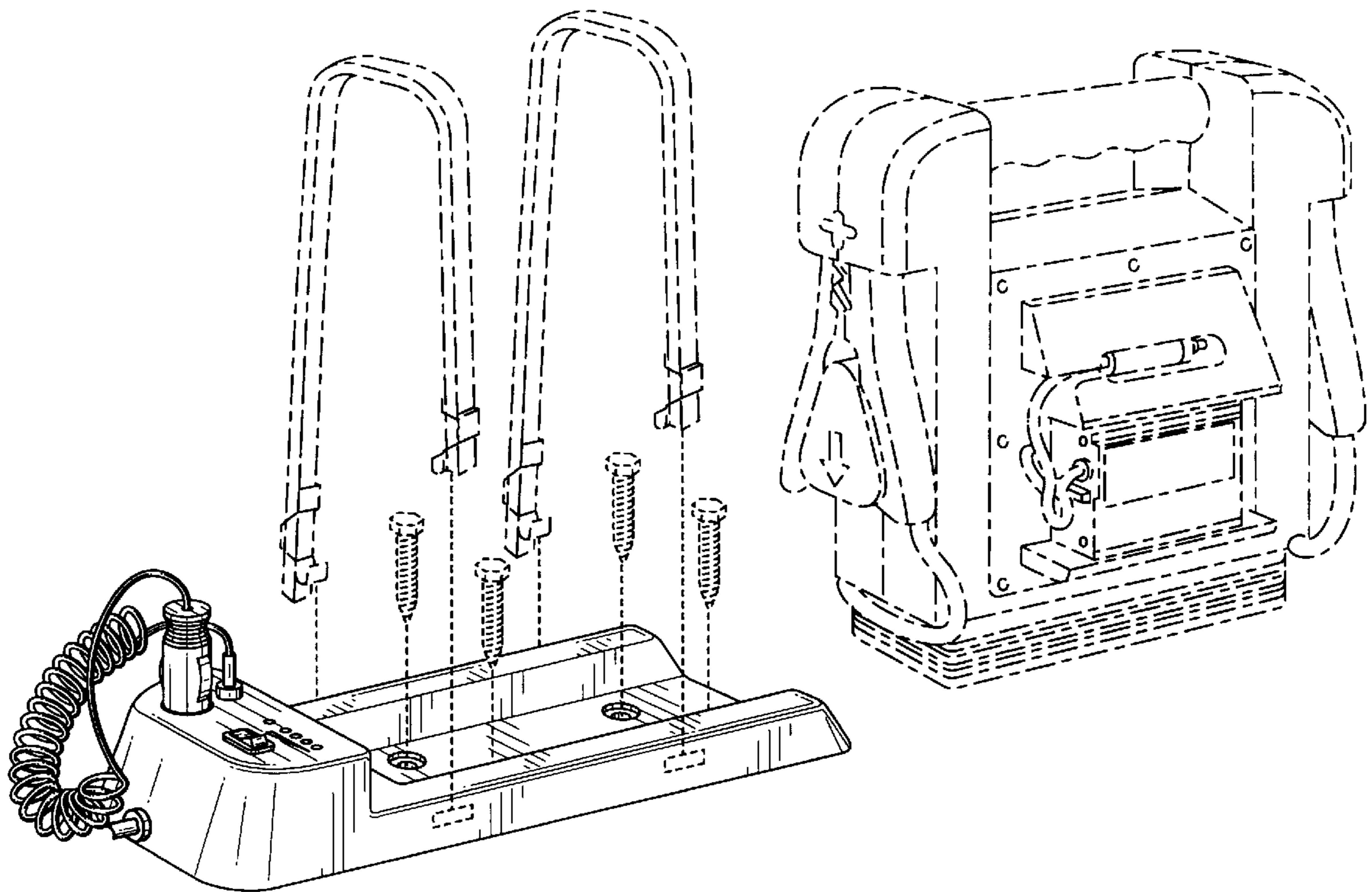
[57] CLAIM

The ornamental design for a jumpstarter docking station, as shown and described.

DESCRIPTION

FIG. 1 is a top view of the jumpstarter docking station according to the present invention;
 FIG. 2 is a bottom view of the jumpstarter docking station shown in FIG. 1;
 FIG. 3 is a front view of the jumpstarter docking station shown in FIG. 1;
 FIG. 4 is a back view of the jumpstarter docking station shown in FIG. 1;
 FIG. 5 is a left side view of the jumpstarter docking station shown in FIG. 1;
 FIG. 6 is a right side view of the jumpstarter docking station shown in FIG. 1;
 FIG. 7 is a perspective exploded view of the jumpstarter docking station shown in FIG. 1 shown with the jumpstarter and hold-down straps; and,
 FIG. 8 is a perspective view of the jumpstarter docking station shown in FIG. 1 shown with the jumpstarter and hold-down straps in the stored and energized position.
 The broken line showing of the jump starter, the hold-down straps and the mounting bolts is included for the purpose of illustrating environmental structure only and forms no part of the claimed design.

1 Claim, 5 Drawing Sheets



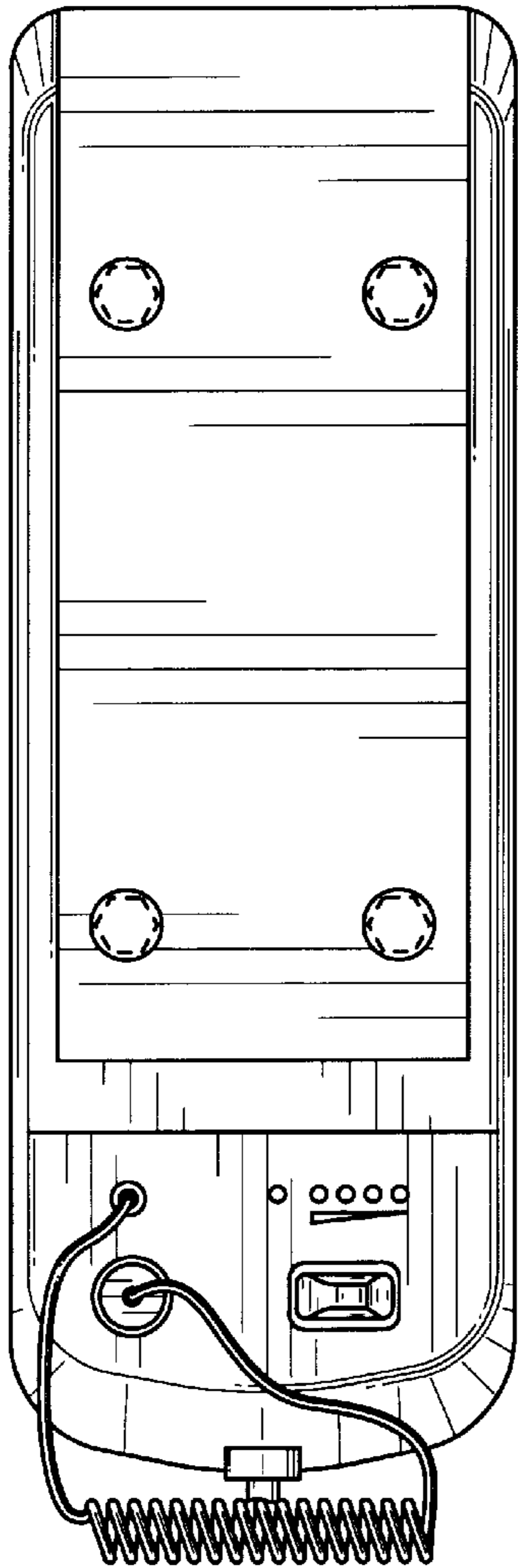


FIG. 1

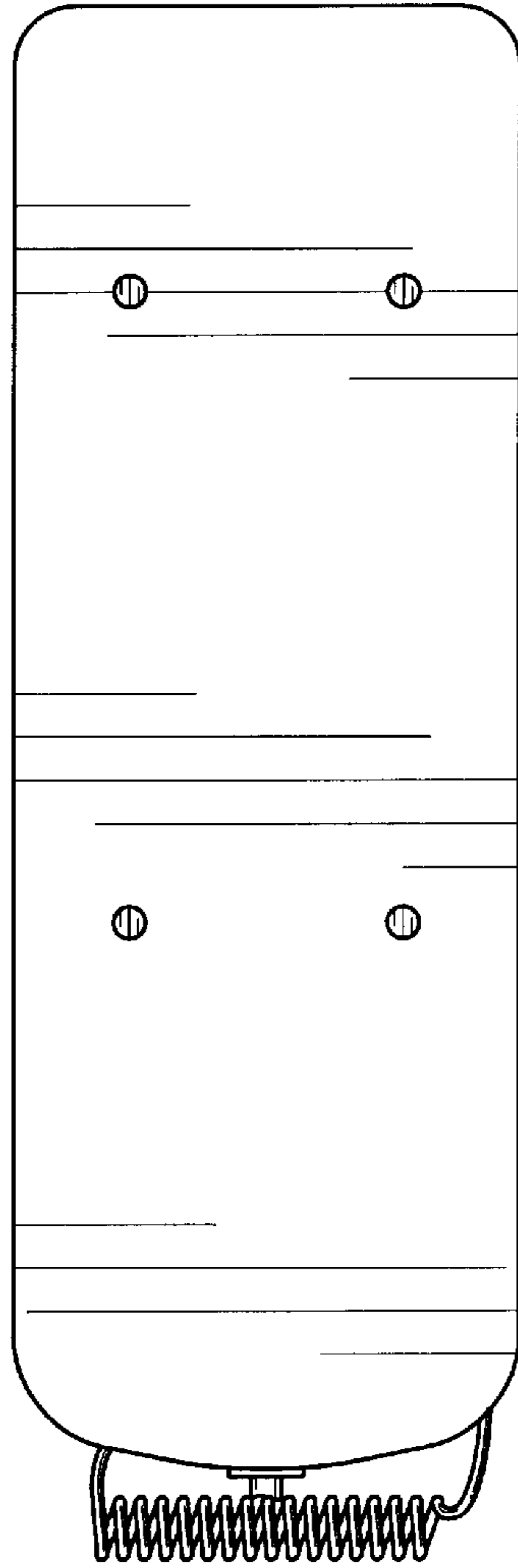


FIG. 2

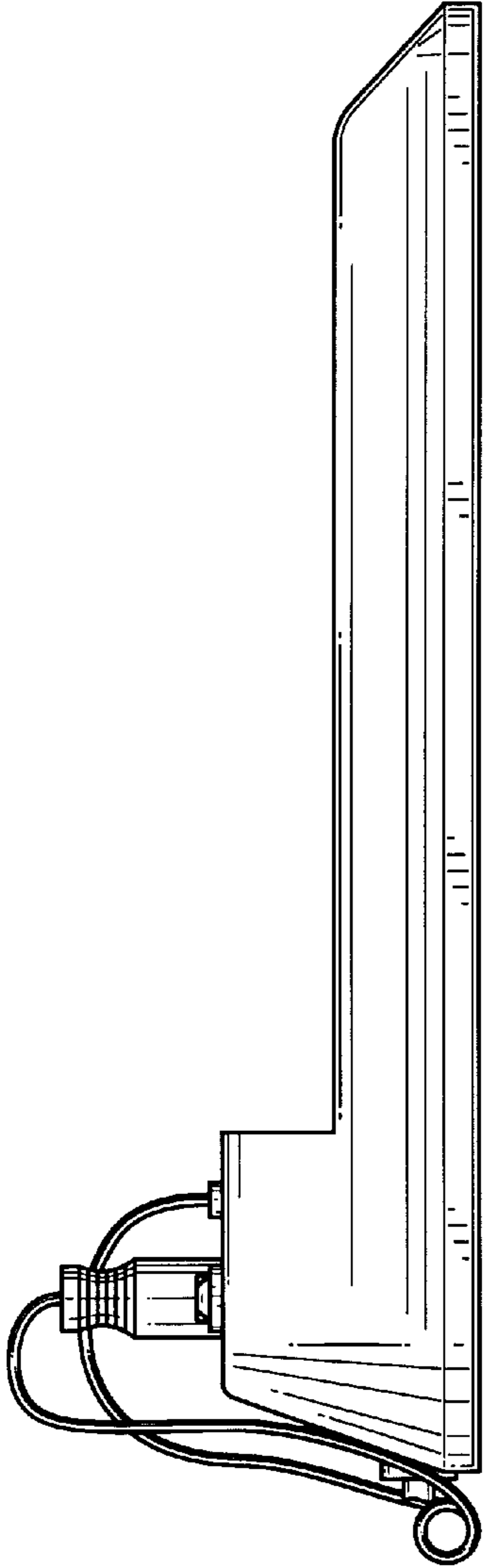


FIG. 3

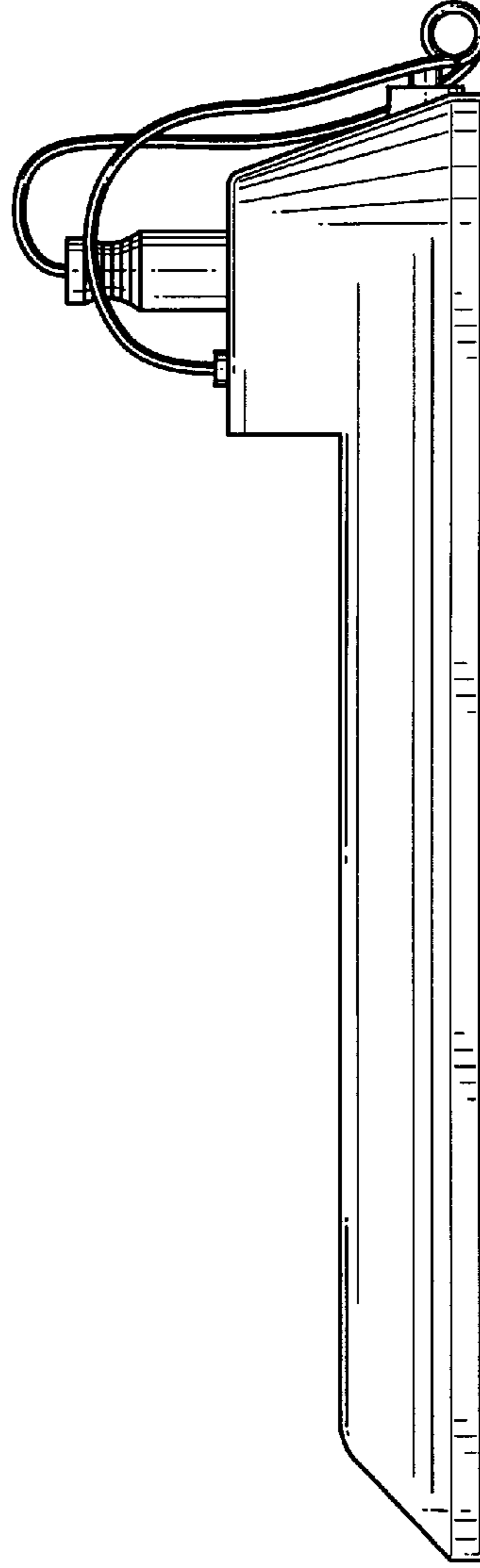


FIG. 4

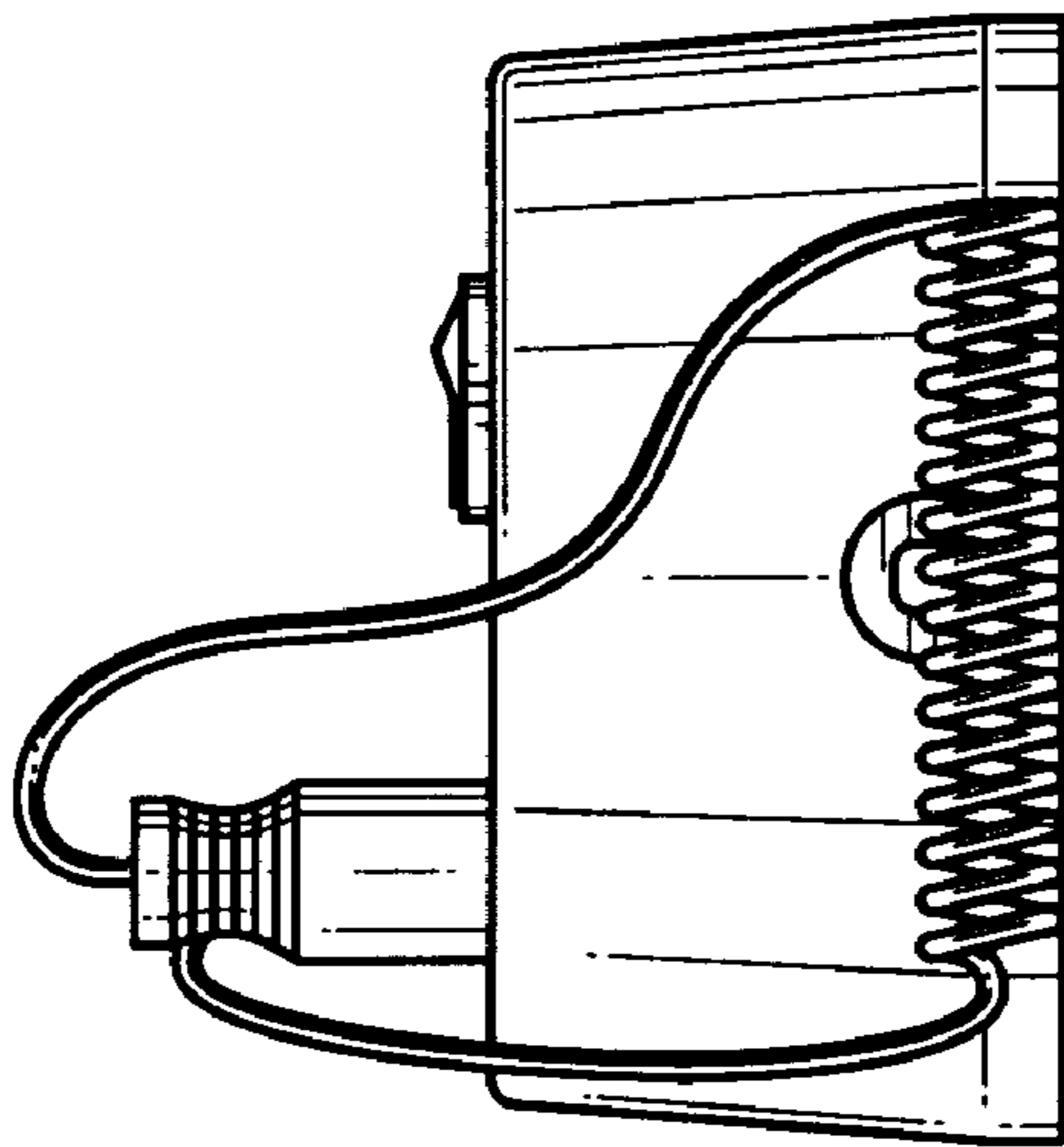


FIG. 5

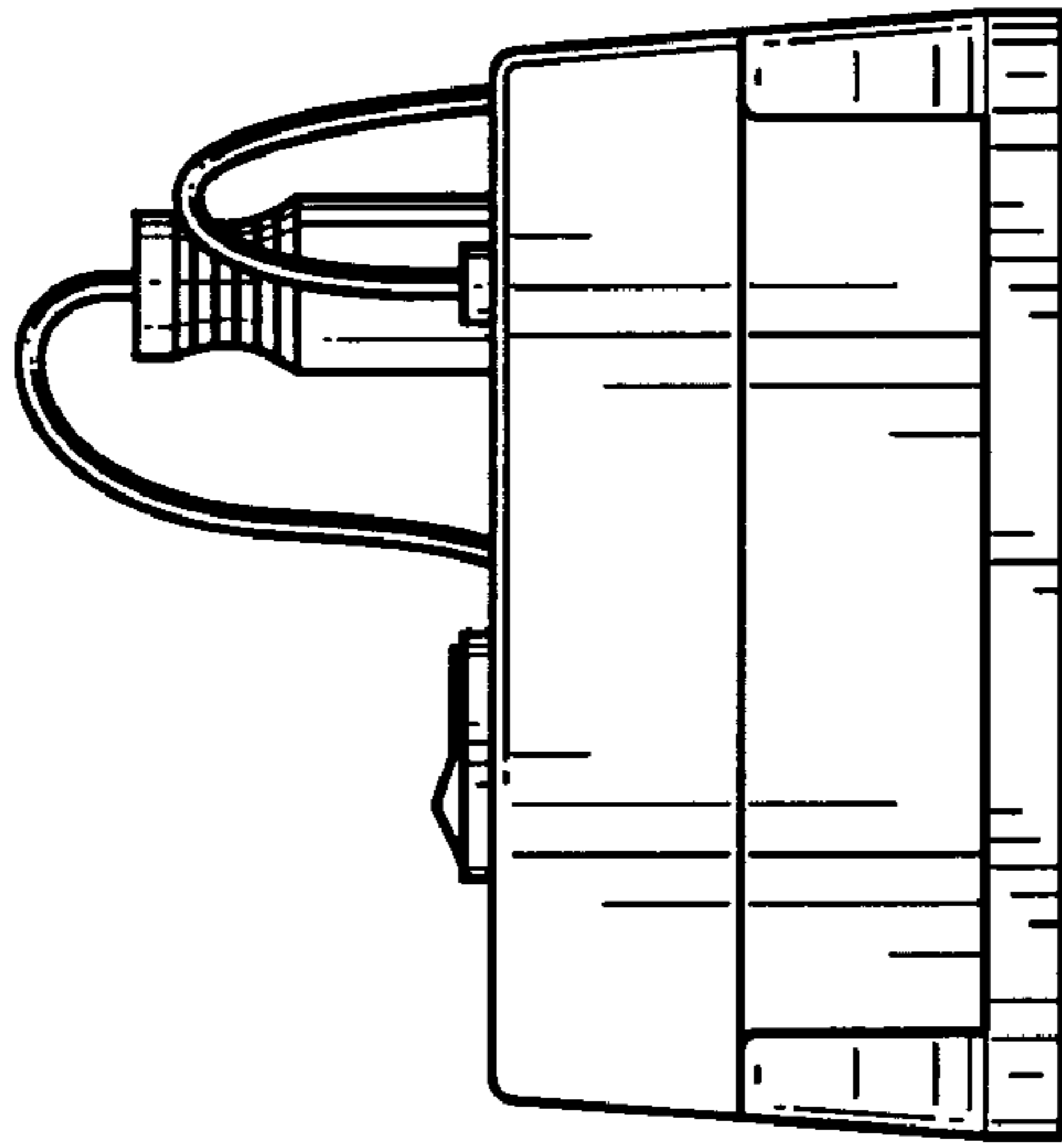


FIG. 6

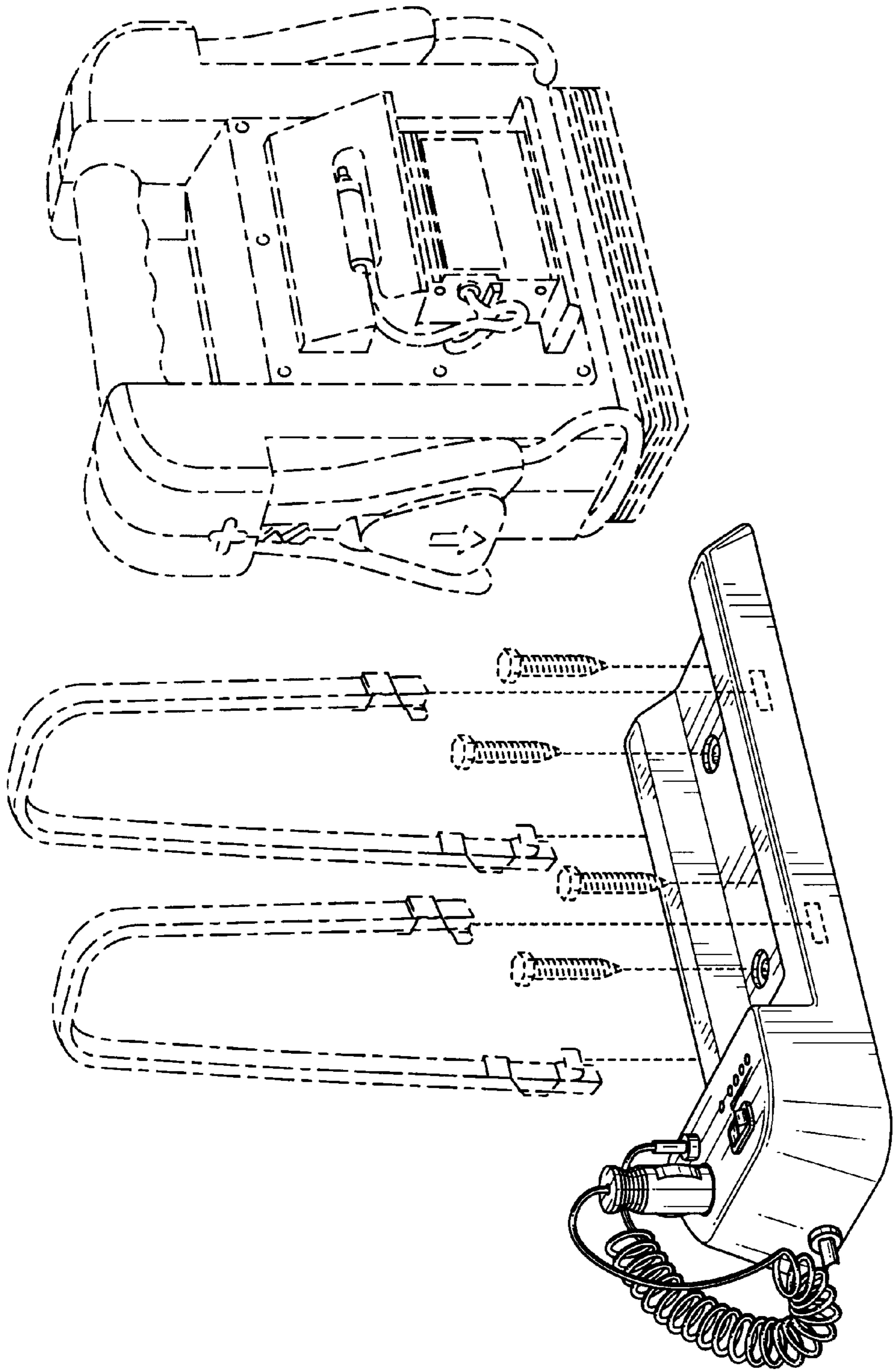


FIG. 7

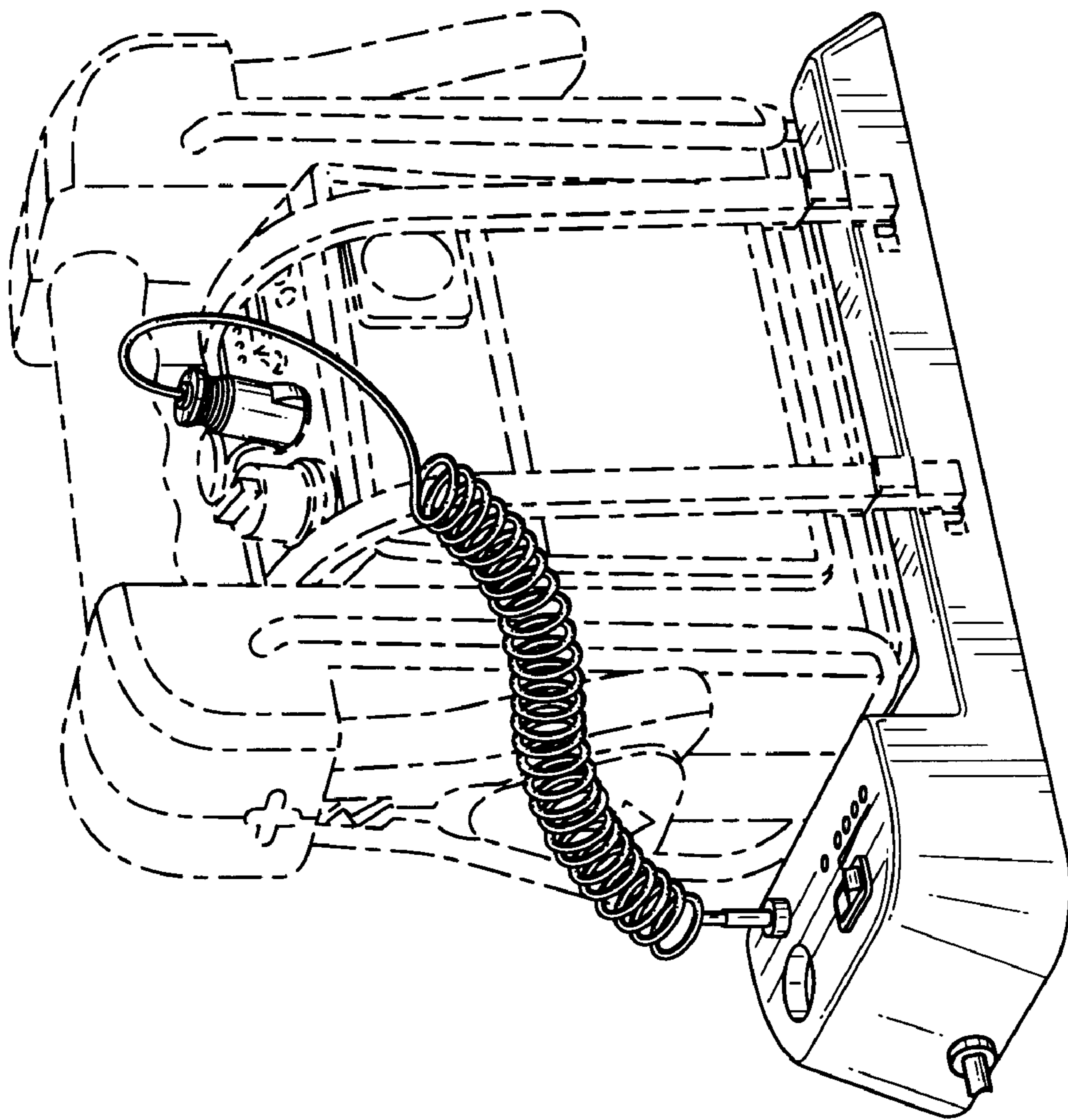


FIG. 8