



US00D432980S

# United States Patent [19] Gaytan

[11] **Patent Number: Des. 432,980**

[45] **Date of Patent: \*\* \*Oct. 31, 2000**

[54] **SHELL FOR ENLARGED CAB PICKUP TRUCK**

[76] Inventor: **Juan Javier Gaytan**, Santa Rosalía  
211, Col. Valle de las Brisas, C.P.  
64790, Monterrey, N.L., Mexico

[\*] Notice: This patent is subject to a terminal disclaimer.

[\*\*] Term: **14 Years**

[21] Appl. No.: **29/087,948**

[22] Filed: **May 12, 1998**

[30] **Foreign Application Priority Data**

Dec. 19, 1997 [MX] Mexico ..... 971273

[51] **LOC (7) Cl.** ..... **12-16**

[52] **U.S. Cl.** ..... **D12/404**

[58] **Field of Search** ..... D12/400, 401,  
D12/403-405; 296/185-186, 99.1, 103,  
156, 163, 210

[56] **References Cited**

**U.S. PATENT DOCUMENTS**

D. 212,469	10/1968	Kroll	.....	D12/404
D. 235,327	6/1975	Morris	.....	D12/404
D. 250,012	10/1978	Windecker et al.	.....	D12/401
D. 272,333	1/1984	Potterbaum et al.	.....	D12/401
D. 272,334	1/1984	Potterbaum et al.	.....	D12/401
D. 325,188	4/1992	Abele	.....	D12/401
D. 325,366	4/1992	Mansberger	.....	D12/401
D. 328,049	7/1992	Sturtevant	.....	D12/401
D. 328,062	7/1992	Burgess	.....	D12/401

D. 350,108	8/1994	Blanchard	.....	D12/401
D. 383,432	9/1997	Starr et al.	.....	D12/404
D. 387,029	12/1997	Heinemann	.....	D12/404
D. 399,817	10/1998	Lund et al.	.....	D12/404
D. 403,652	1/1999	Starr et al.	.....	D12/404
4,496,184	1/1985	Byrd et al.	.....	296/99.1 X

*Primary Examiner*—Stacia Cadmus  
*Attorney, Agent, or Firm*—Bracewell & Patterson, L.L.P.

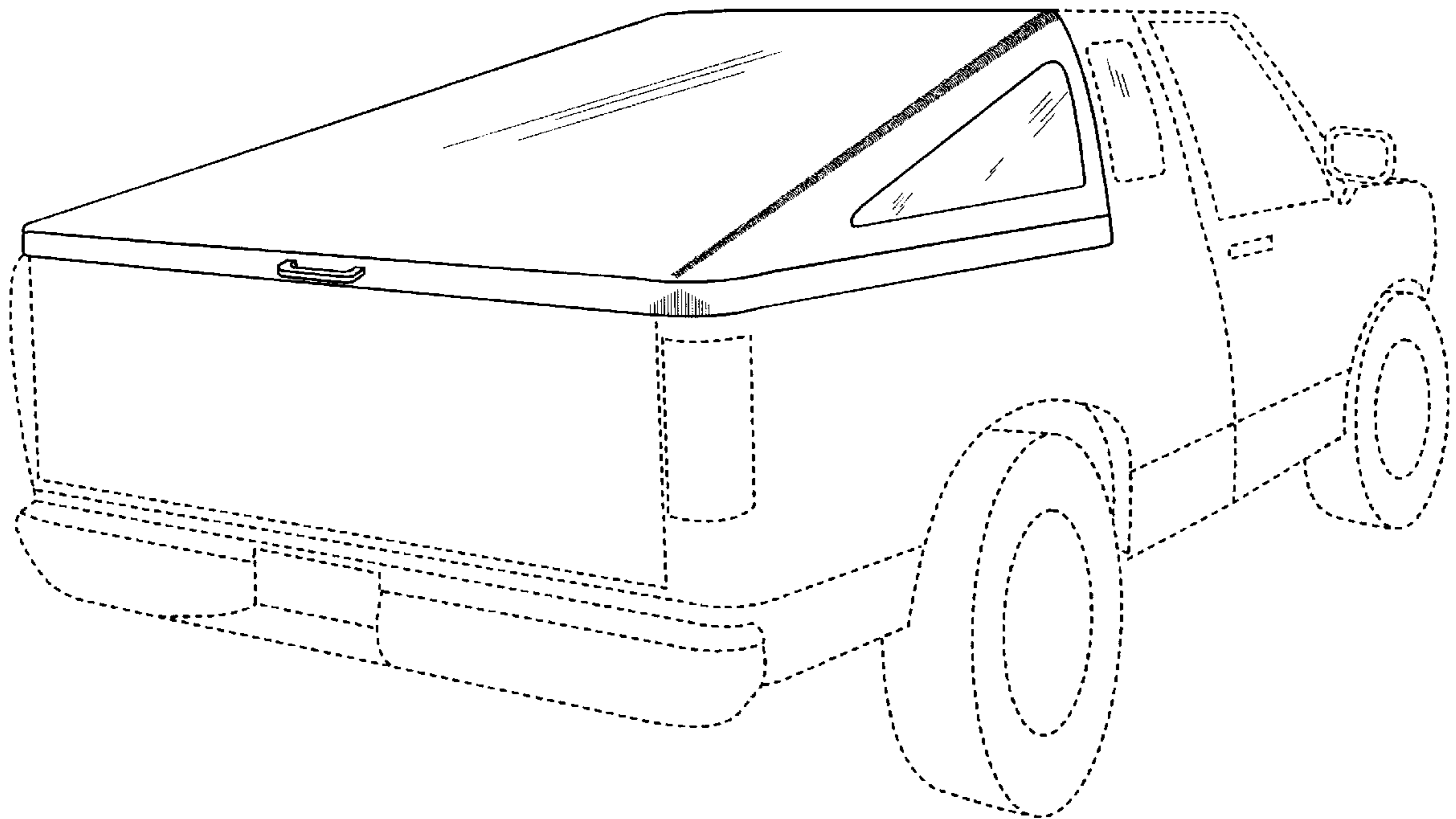
[57] **CLAIM**

The ornamental design for a shell for enlarged cab pickup truck, as shown and described.

**DESCRIPTION**

FIG. 1 is a right side perspective view of a shell for enlarged cab pickup truck, showing my new design;  
 FIG. 2 is a reduced left side elevational view thereof, it being understood that the right side is a mirror image thereof;  
 FIG. 3 is a reduced left side perspective view thereof;  
 FIG. 4 is a left side view of a second embodiment of a shell for enlarged cab pickup truck, showing my new design, the only difference being the omission of the window, it being understood that the right side is a mirror image thereof;  
 FIG. 5 is a left side perspective view of the shell of FIG. 4, it being understood that the opposite side is a mirror image thereof;  
 FIG. 6 is a rear view of the shell of FIG. 1 and FIG. 4; and,  
 FIG. 7 is reduced top plan view of the shell of FIG. 1.  
 The front and bottom of the shell are plain and unornamented.  
 The broken line showing of environment is for illustrative purposes only and forms no part of the claimed design.

**1 Claim, 4 Drawing Sheets**



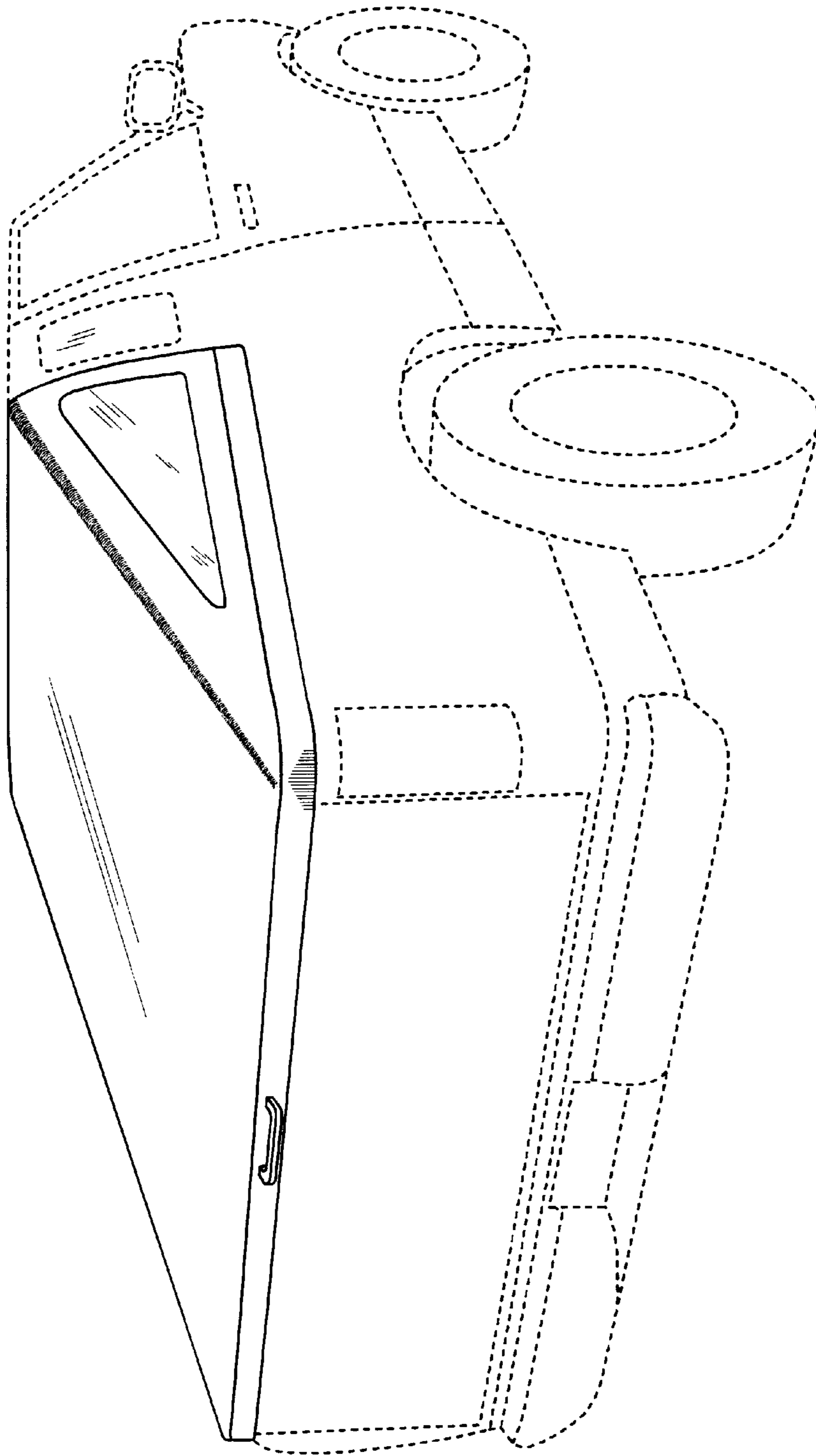
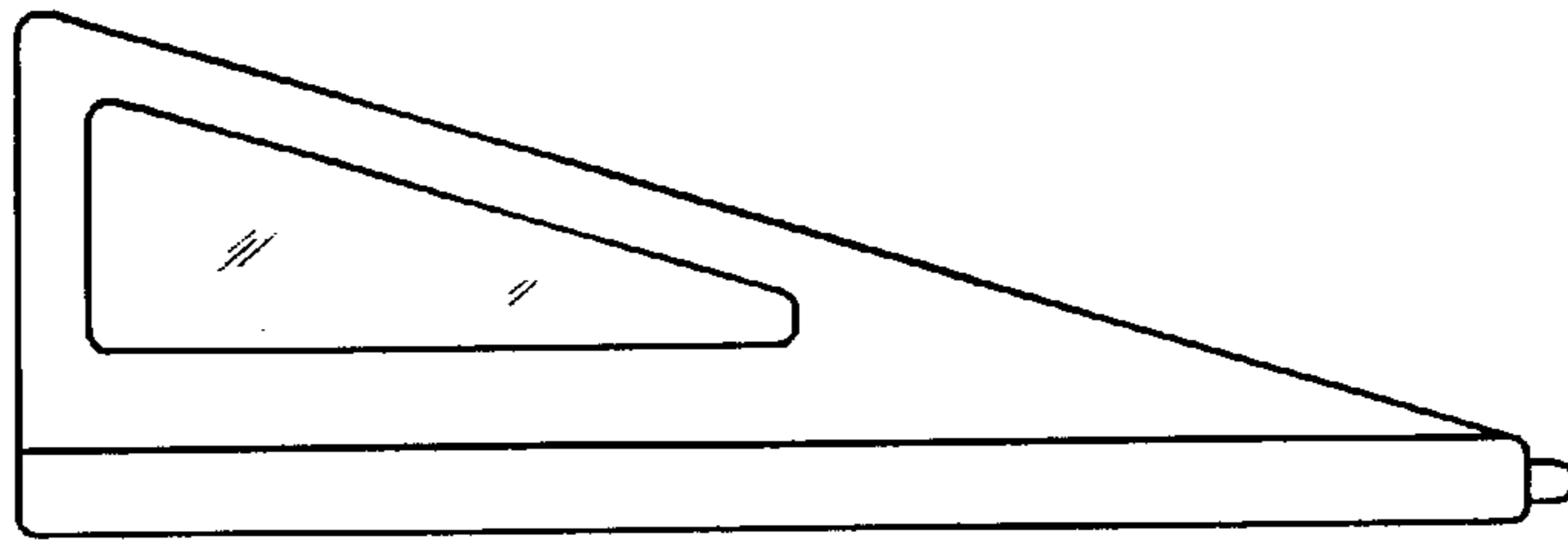
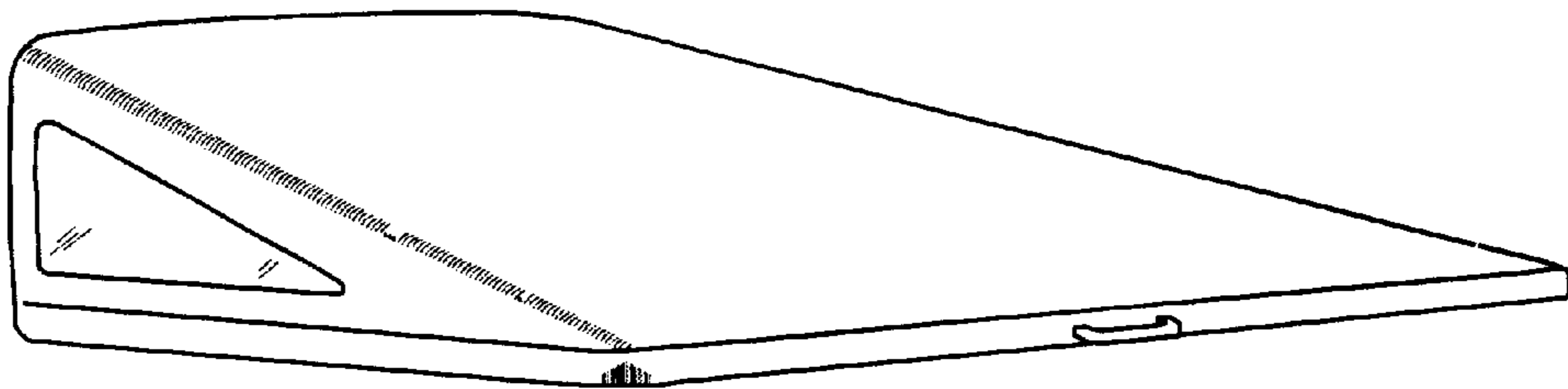


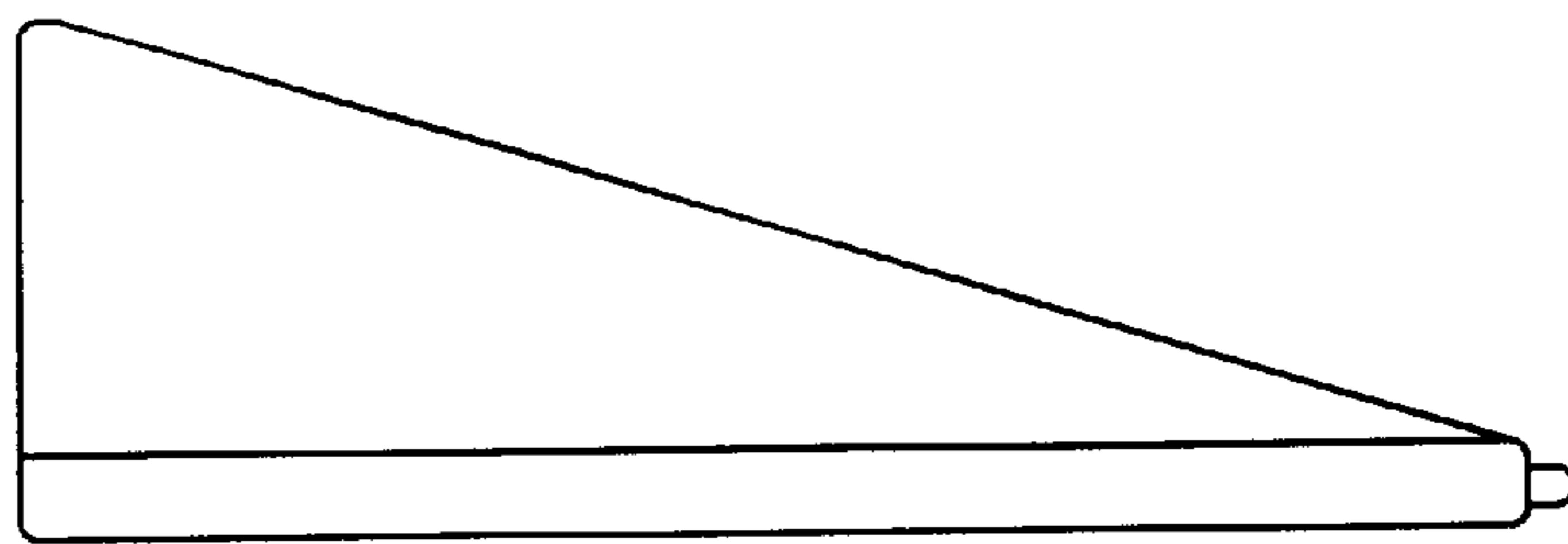
FIG. 1



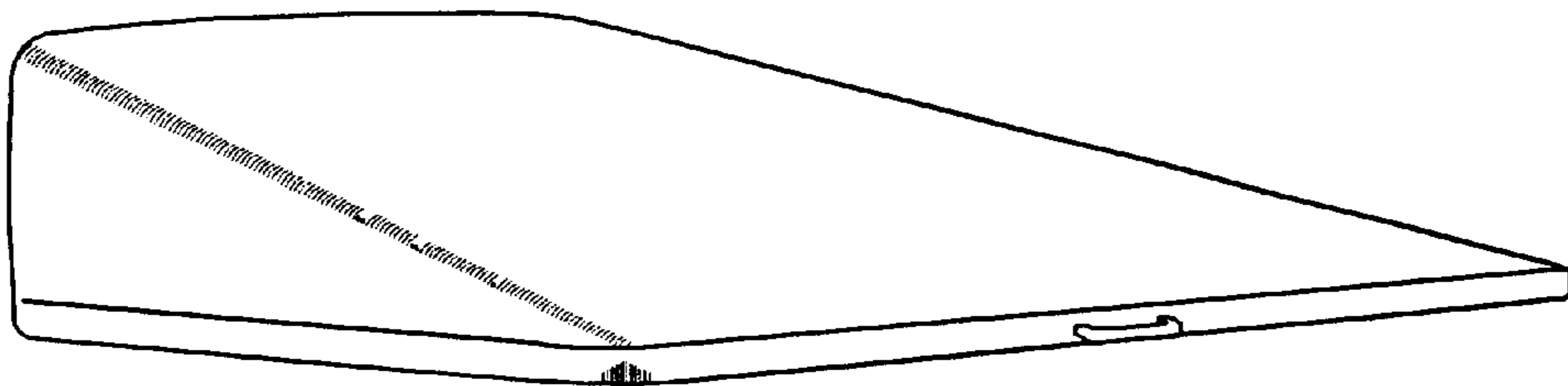
**FIG. 2**



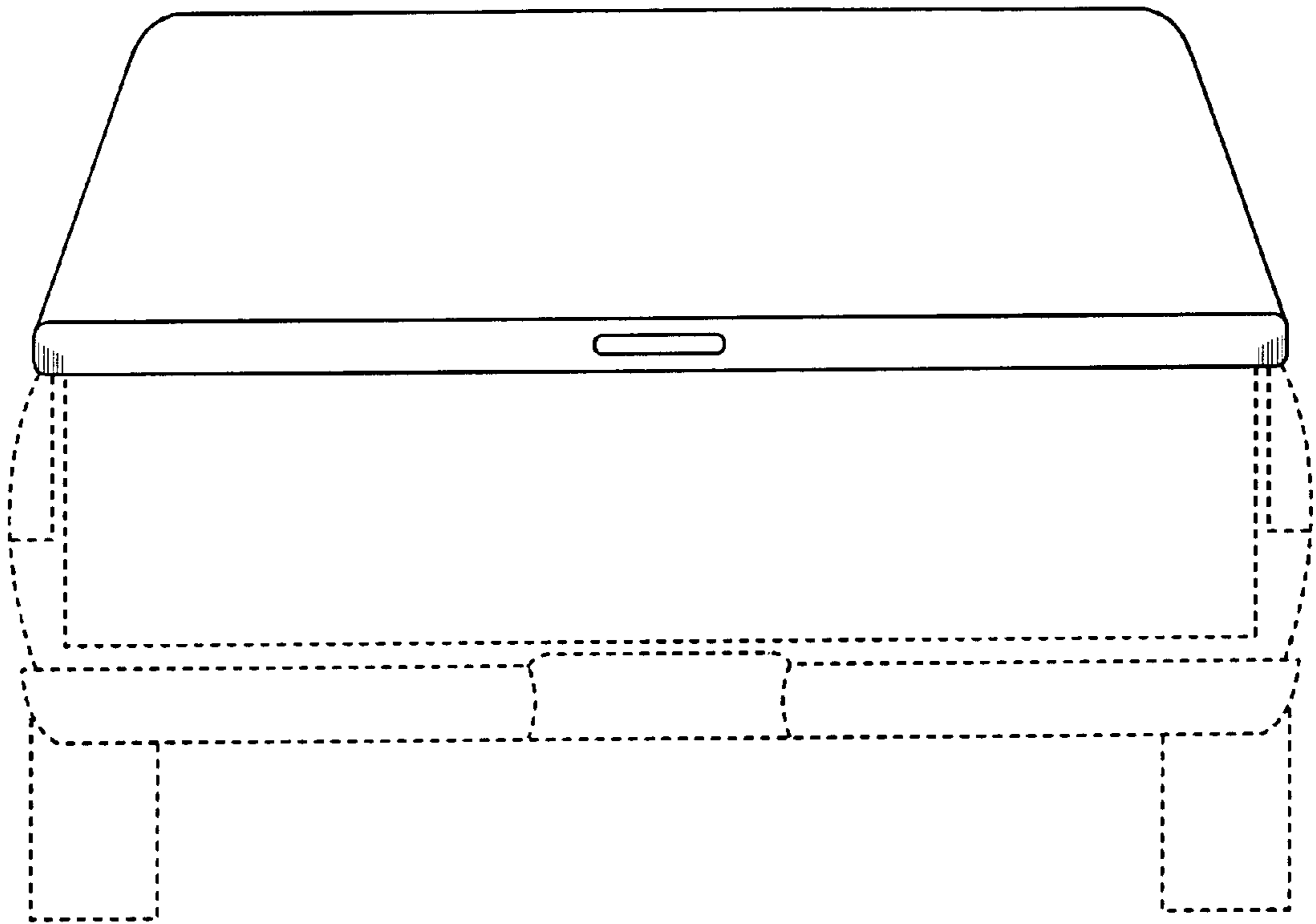
**FIG. 3**



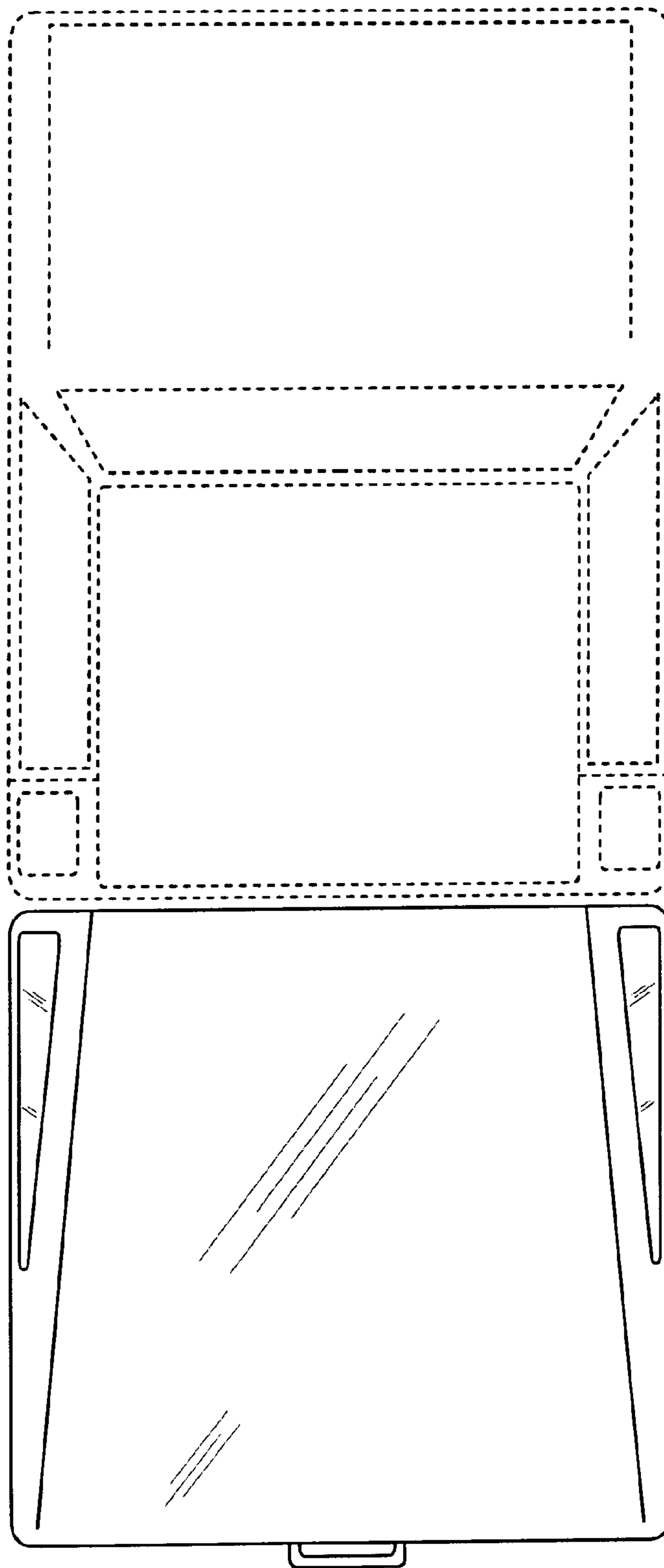
**FIG. 4**



**FIG. 5**



**FIG. 6**



**FIG. 7**