

US00D432977S

United States Patent [19] Land

[11] Patent Number: **Des. 432,977**

[45] Date of Patent: **** Oct. 31, 2000**

[54] **HOSE PROTECTOR FOR A VEHICLE
CROSSMEMBER**

[75] Inventor: **Jonathan L. Land**, Flower Mound,
Tex.

[73] Assignee: **Paccar, Inc.**, Bellevue, Wash.

[**] Term: **14 Years**

[21] Appl. No.: **29/104,737**

[22] Filed: **May 11, 1999**

[51] **LOC (7) Cl.** **12-06**

[52] **U.S. Cl.** **D12/223; D8/356**

[58] **Field of Search** **D8/356; D12/223;
248/300; 280/96.1**

[56] **References Cited**

U.S. PATENT DOCUMENTS

D. 239,364	3/1976	Mooney et al.	D8/396
D. 276,978	1/1985	Fee	D8/382
2,706,827	4/1955	Lindner	16/95 D
4,527,759	7/1985	Dorner et al.	248/73
5,115,542	5/1992	Gehres	24/543

5,308,033 5/1994 Neely, Jr. 248/231.8

Primary Examiner—Holly Baynham
Attorney, Agent, or Firm—Sidley & Austin

[57] **CLAIM**

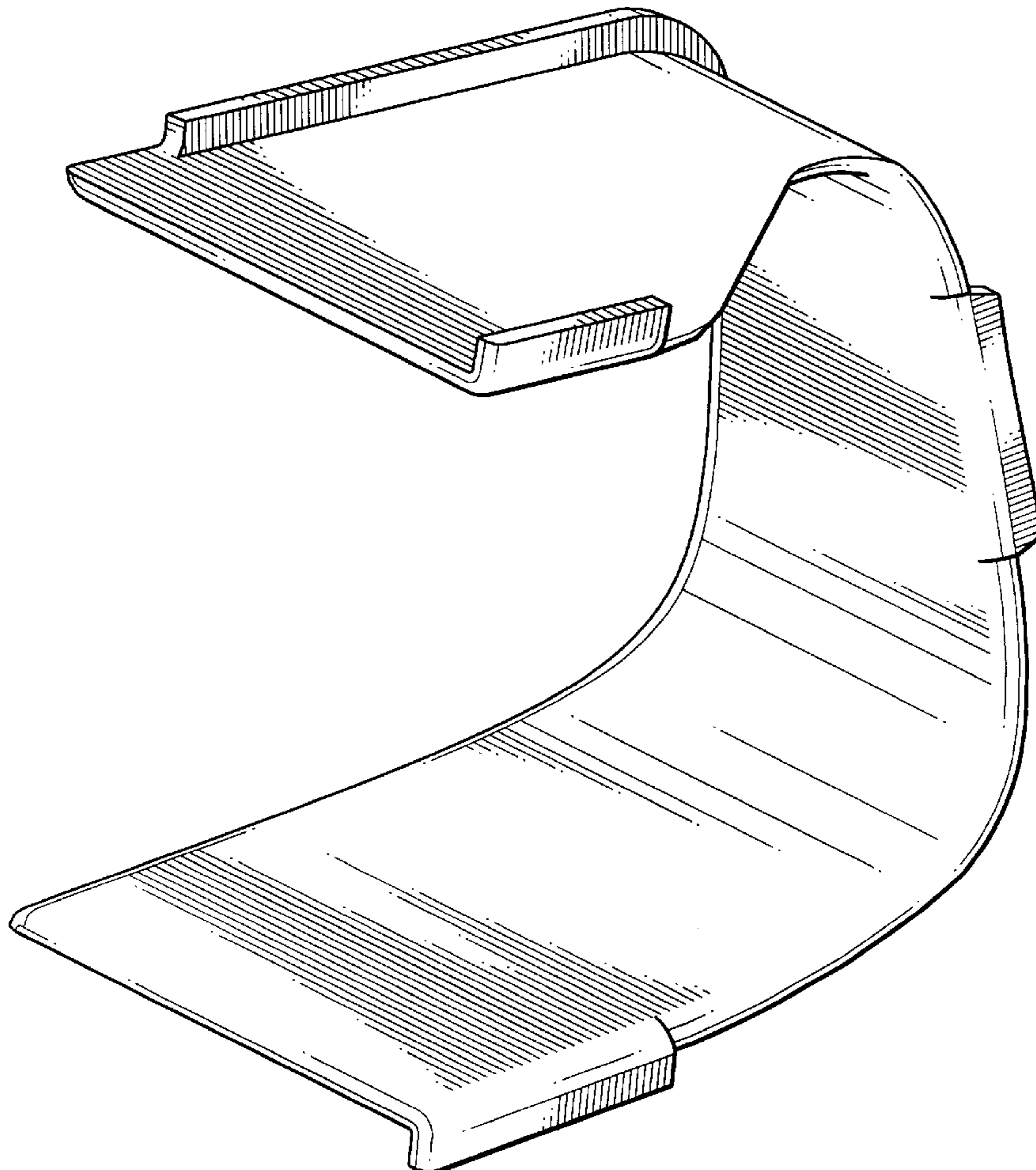
The ornamental design for a hose protector for a vehicle crossmember, as shown and described.

DESCRIPTION

FIG. 1 is a perspective view of my hose protector for a vehicle crossmember;
FIG. 2 is a top view thereof;
FIG. 3 is a front view thereof;
FIG. 4 is a bottom view thereof;
FIG. 5 is a back view thereof;
FIG. 6 is a right side view thereof;
FIG. 7 is a left side view thereof; and,
FIG. 8 is a reduced perspective view showing my hose protector for a vehicle crossmember in the environment in which they can be used.

The broken line showing of a partial vehicle frame, in FIG. 8, is for illustrative purposes only and forms no part of the claimed design.

1 Claim, 5 Drawing Sheets



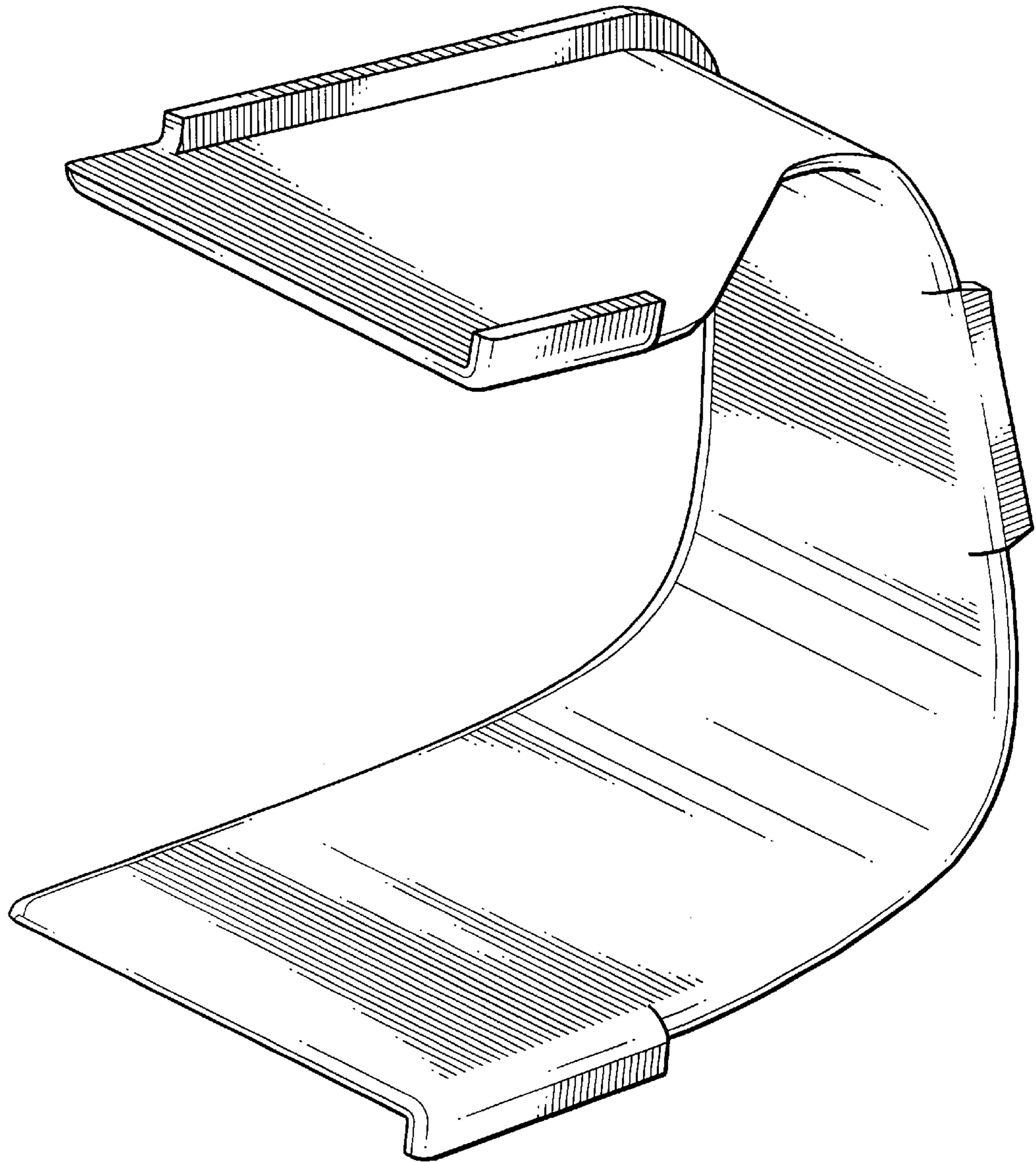


Fig. 1

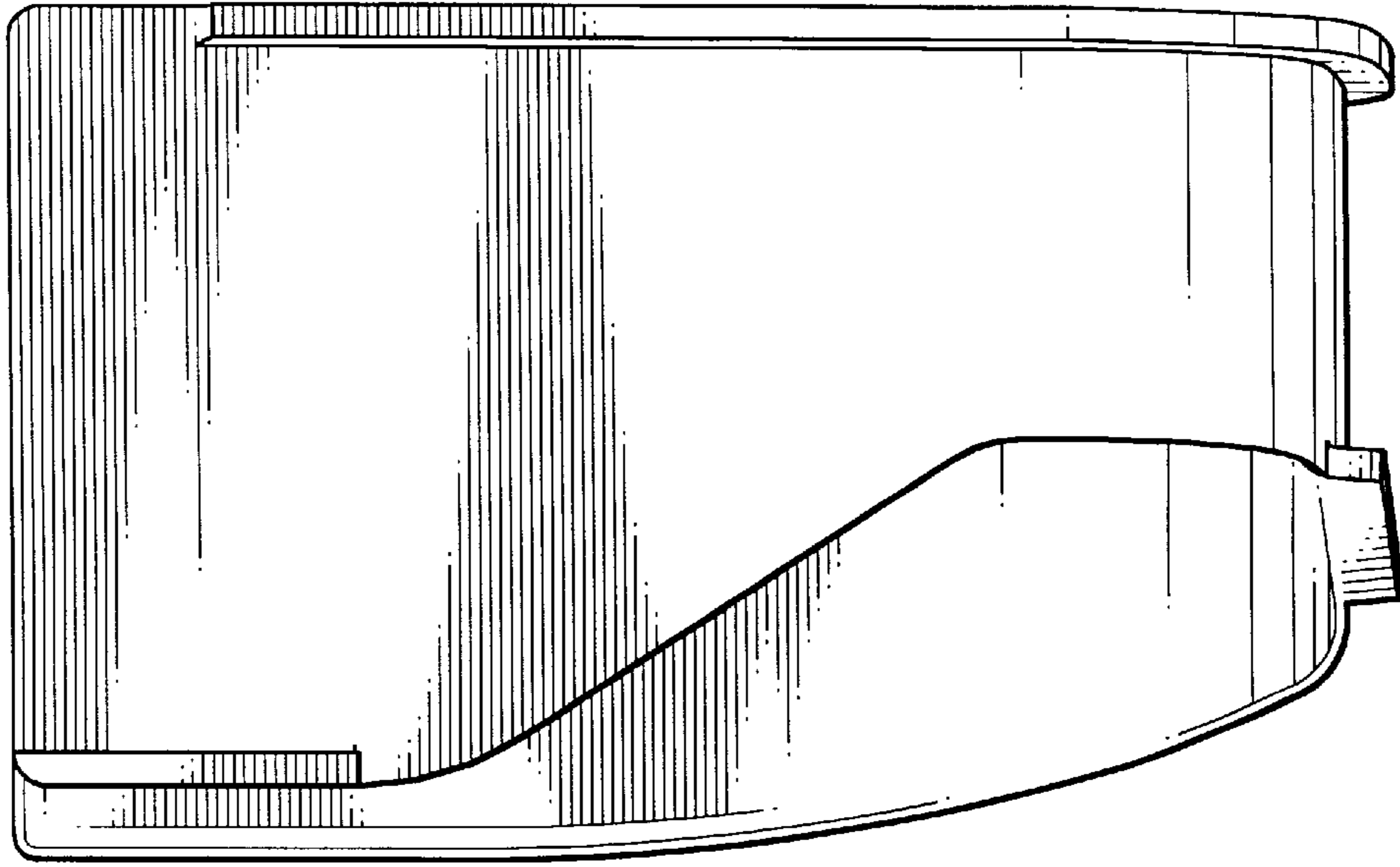


Fig. 2

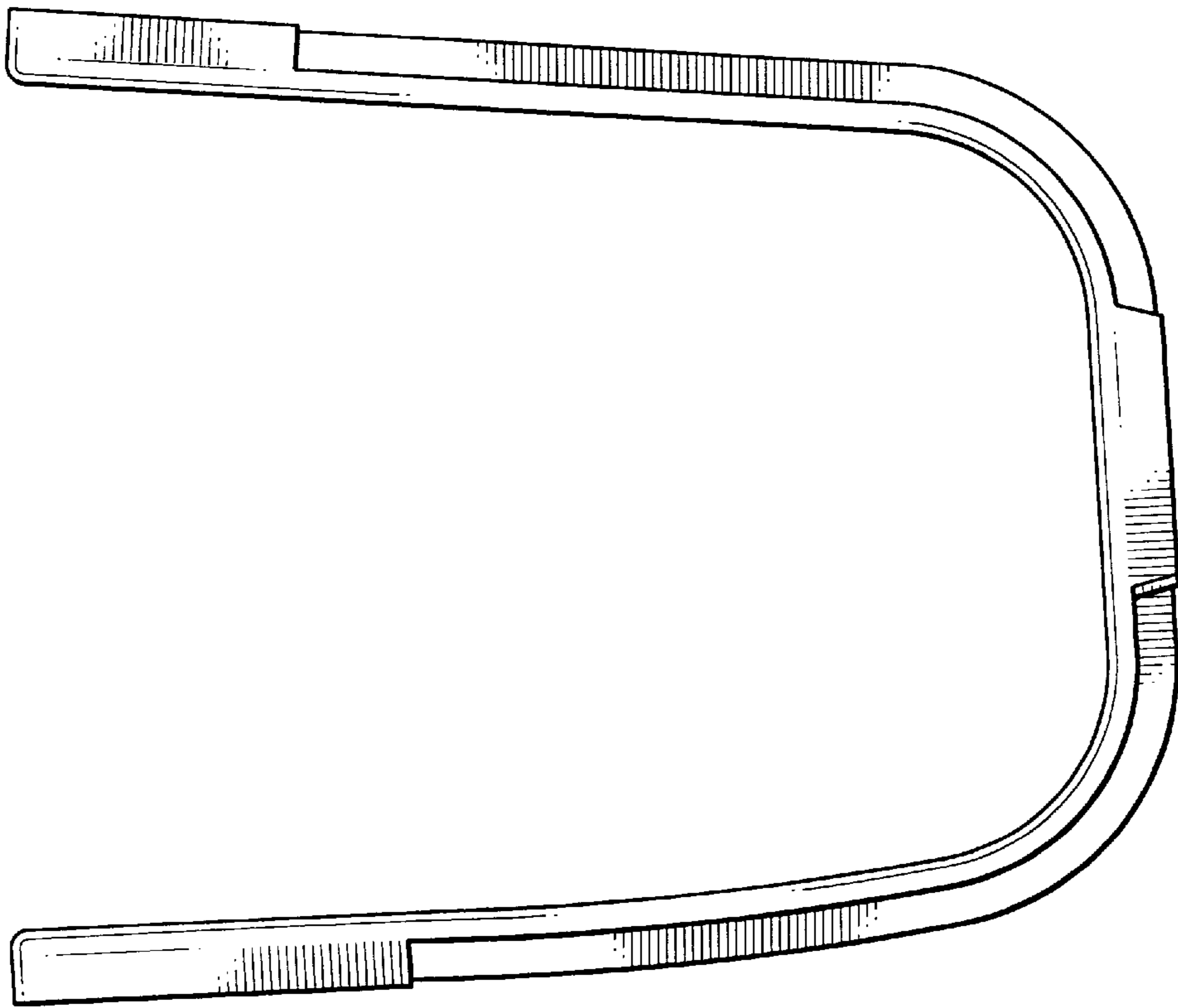


Fig. 3

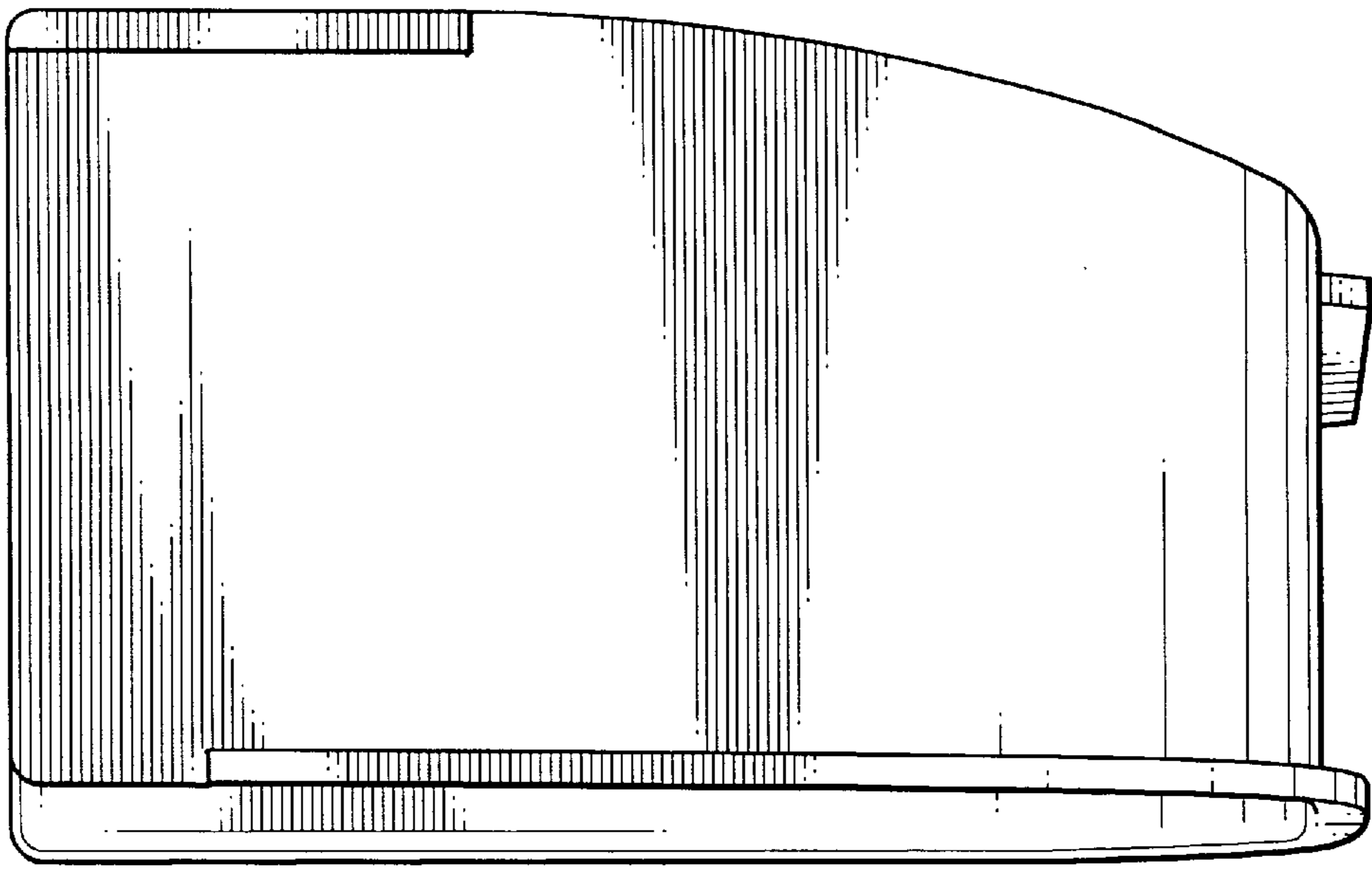


Fig. 4

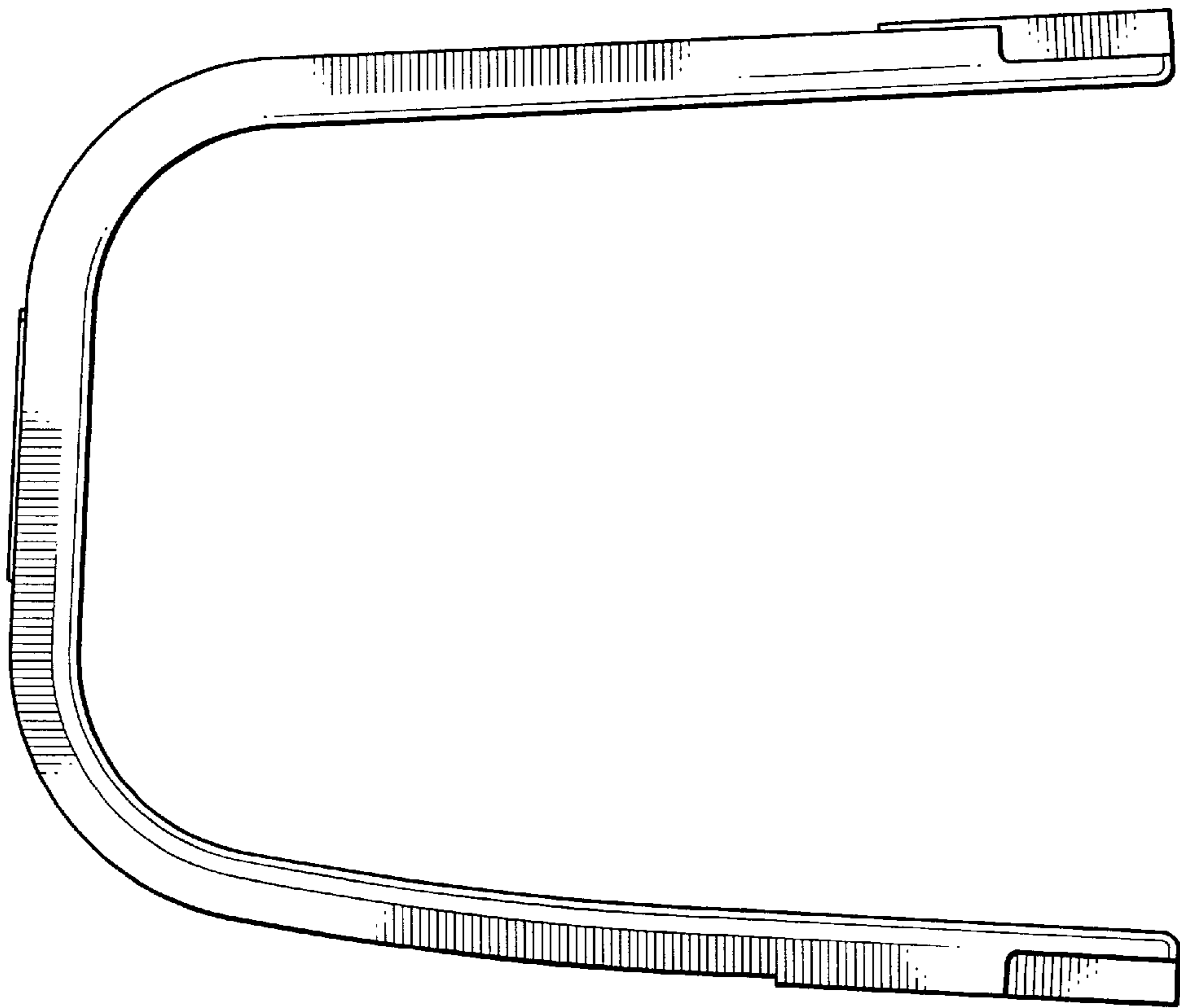


Fig. 5

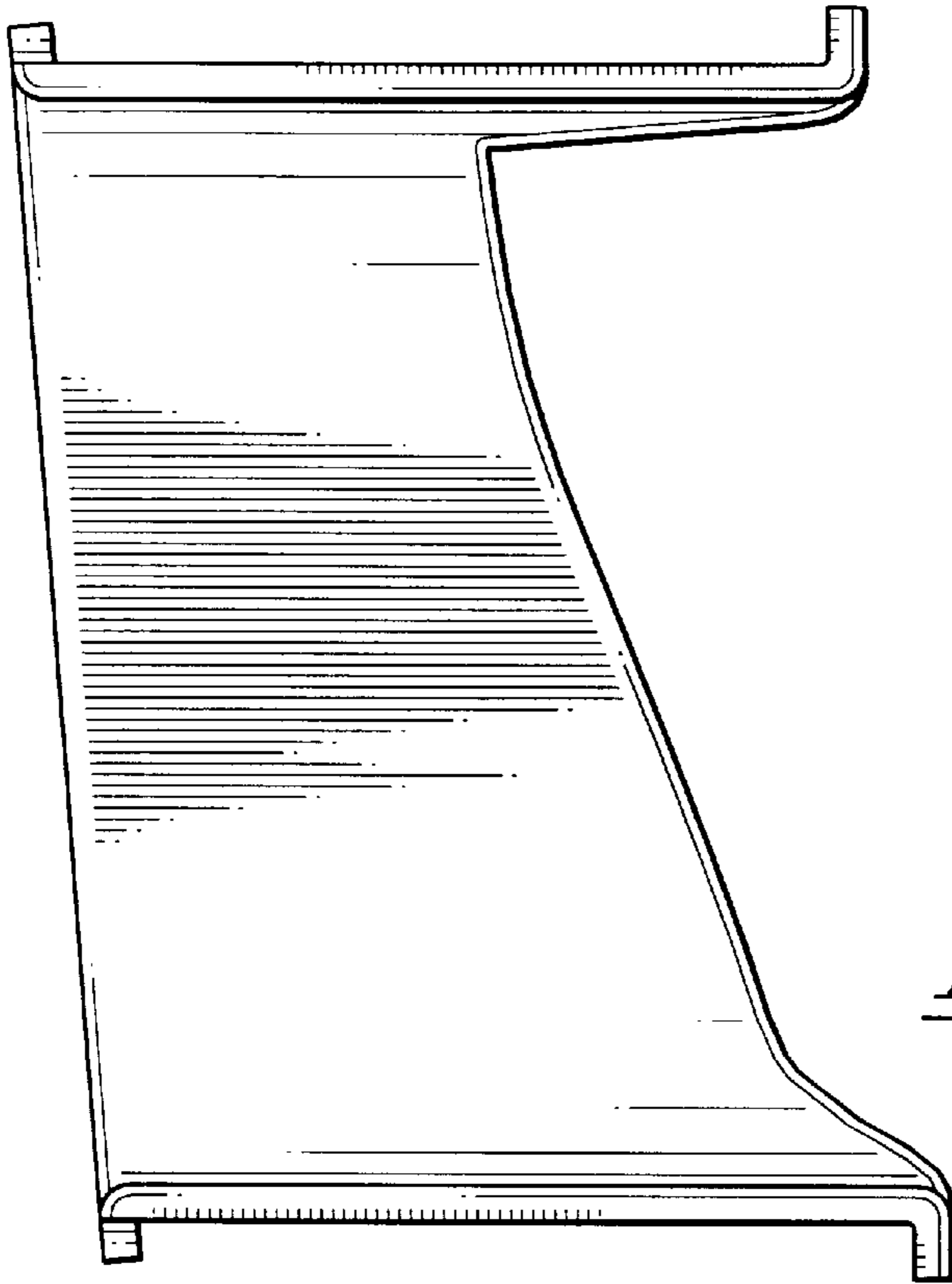


FIG. 6

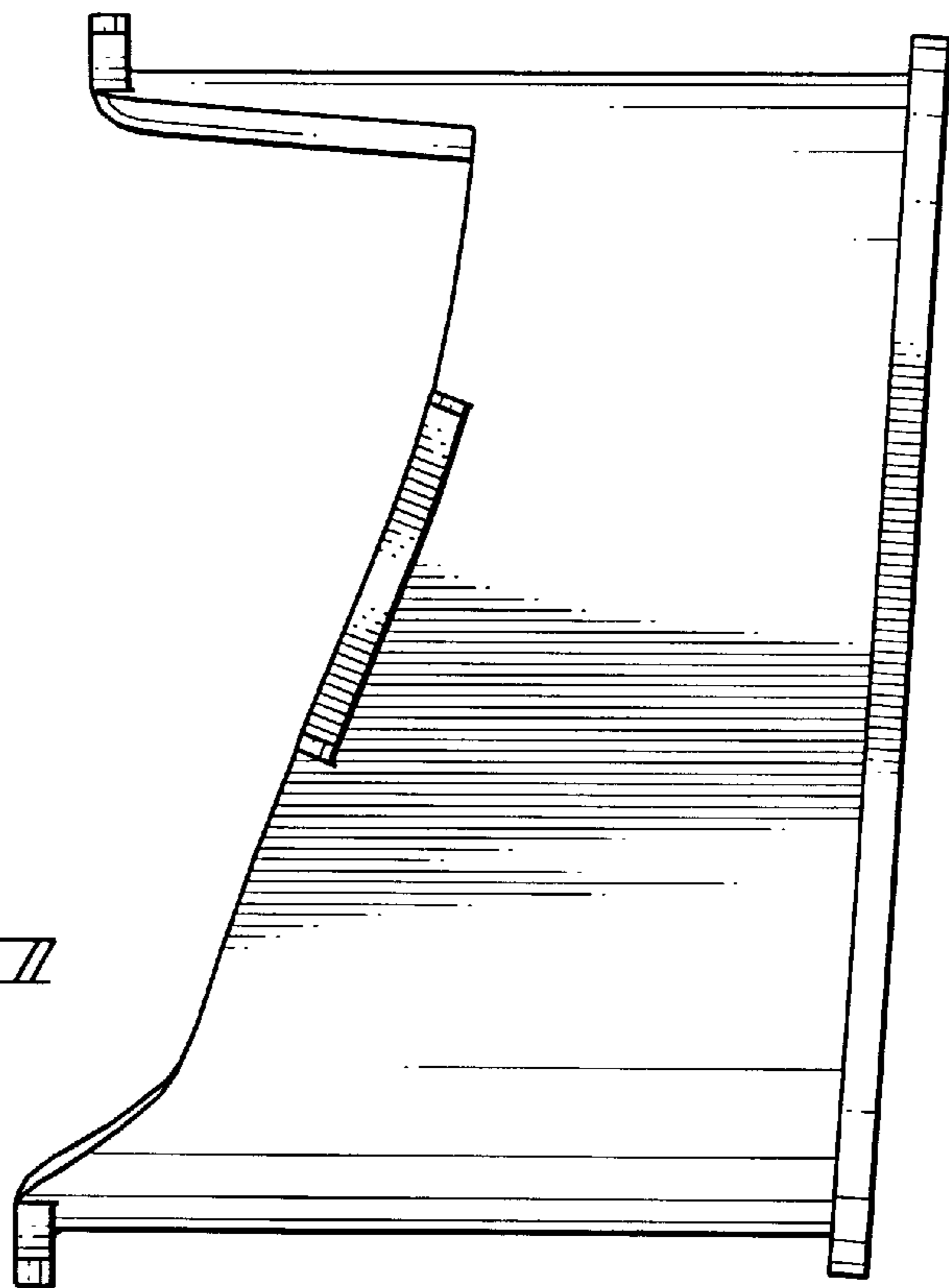


FIG. 7

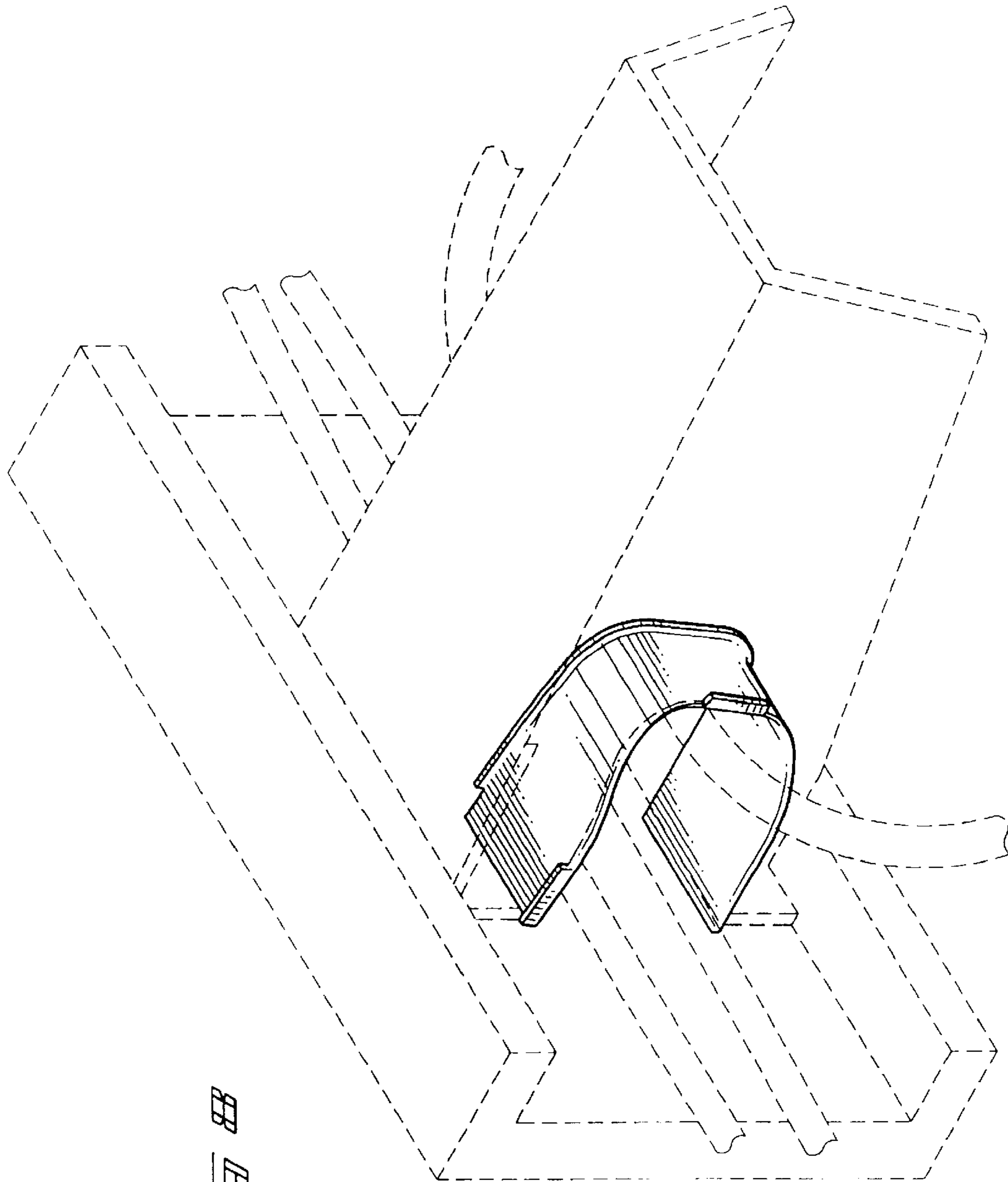


FIG. 5