



US00D432974S

United States Patent [19] Jablonski

[11] Patent Number: Des. 432,974

[45] Date of Patent: ** Oct. 31, 2000

[54] FRONT FACE OF A VEHICLE WHEEL

[75] Inventor: **Karl-Heinz Jablonski**, Mörtenbach, Germany

[73] Assignee: **Bayerische Motoren Werke Aktiengesellschaft**, Germany

[**] Term: 14 Years

[21] Appl. No.: 29/083,090

[22] Filed: Feb. 5, 1998

[30] Foreign Application Priority Data

Aug. 5, 1997 [DE] Germany M97 07 122

[51] LOC (7) Cl. 12-16

[52] U.S. Cl. D12/211

[58] Field of Search D12/204-213;
301/64.1, 65, 37.1

[56] References Cited

U.S. PATENT DOCUMENTS

D. 361,547	8/1995	Weld	D12/211
D. 379,612	6/1997	Honarkhah	D12/209
D. 380,432	7/1997	Hettler	D12/209
D. 384,025	9/1997	Roesianto	D12/209
D. 384,320	9/1997	Bhambra	D12/209
D. 384,634	10/1997	Cullen	D12/211
D. 384,932	10/1997	Cullen	D12/211
D. 391,215	2/1998	Cervati	D12/209
D. 391,543	3/1998	Renkert	D12/209
D. 398,573	9/1998	Cattaneo	D12/211
D. 398,574	9/1998	McMath	D12/211

D. 402,251	12/1998	Timm	D12/211
D. 402,951	12/1998	Wechner	D12/211
D. 405,749	2/1999	Kulla	D12/211
D. 407,364	3/1999	Fisker	D12/209
D. 412,692	8/1999	Hussaini	D12/209
D. 416,849	11/1999	Weidhase	D12/211
D. 417,646	12/1999	Baumgartner	D12/211

OTHER PUBLICATIONS

Lowrider Magazine, p. 53, See Highlighted Wheels, Apr. 1995.

Car & Driver, p. 96, See "Mille Miglia Glide and Glide II" Wheel, Apr. 1996.

Car & Driver, p. 152, See Borbet "Type M" Wheel, Apr. 1996.

Motor Trend, p. 105, See "TSW Quad", "Konig Tuner" and "Dial Triomphe" Wheel, Jan. 1997.

Primary Examiner—Stacia Cadmus

Attorney, Agent, or Firm—Evenson, McKeown, Edwards & Lenahan, P.L.L.C.

[57] CLAIM

The ornamental design for a front face of a vehicle wheel, as shown and described.

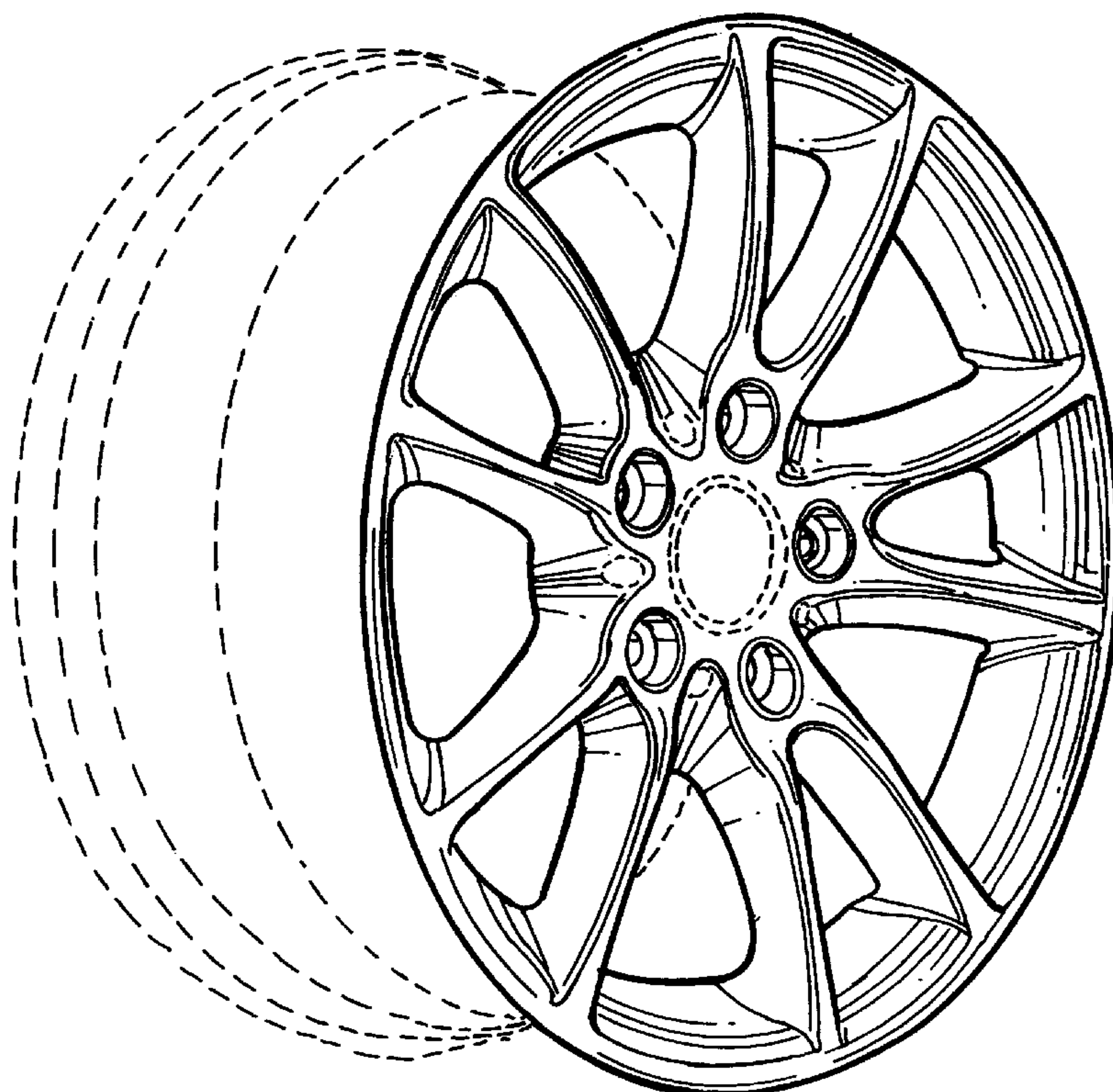
DESCRIPTION

FIG. 1 is a front view of a front face of a vehicle wheel according to my novel design; and,

FIG. 2 is a perspective view from the front left of a front face of a vehicle wheel according to my novel design.

The dash line showing depicts environment and is not part of the claimed design.

1 Claim, 1 Drawing Sheet



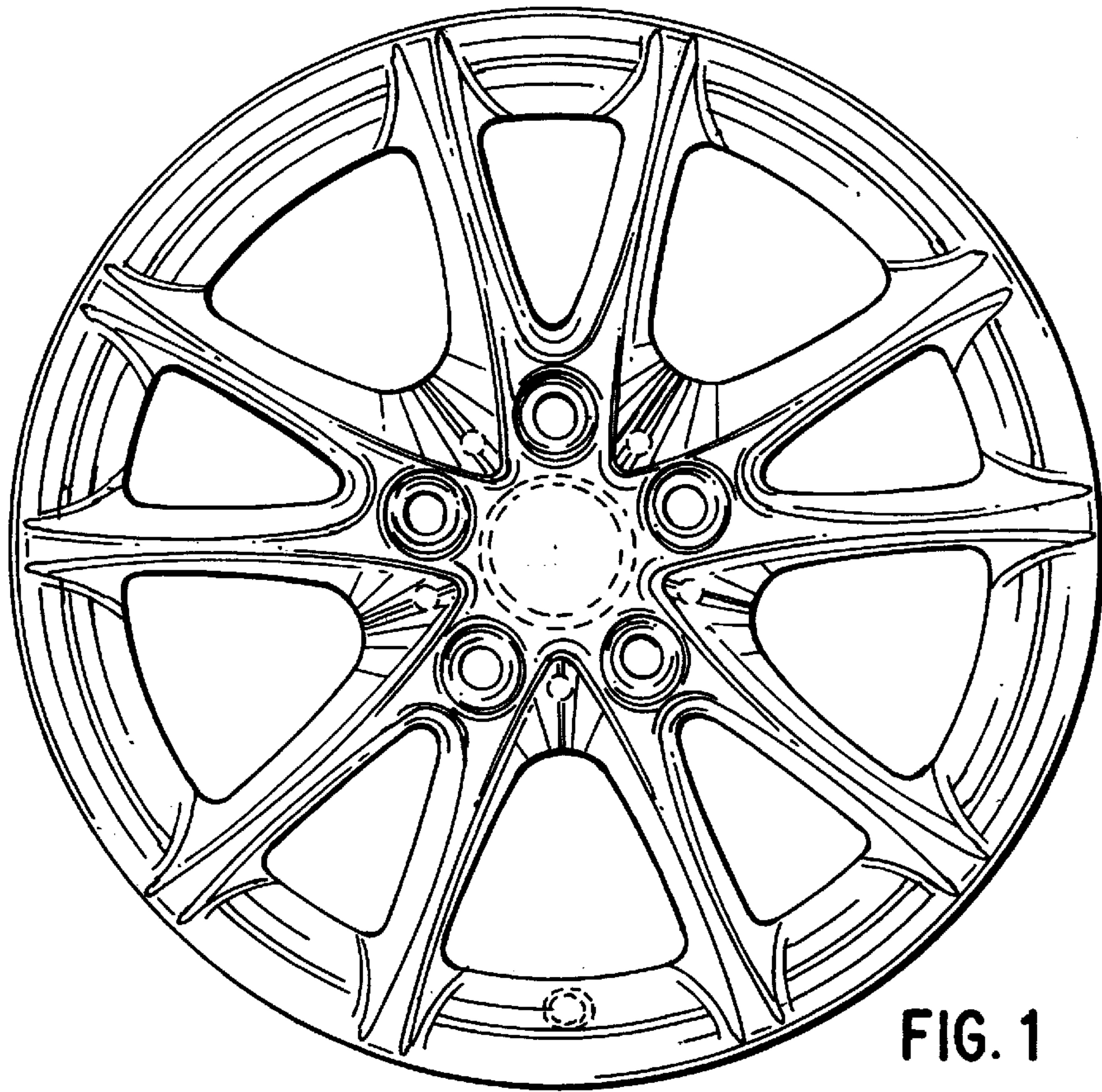


FIG. 1

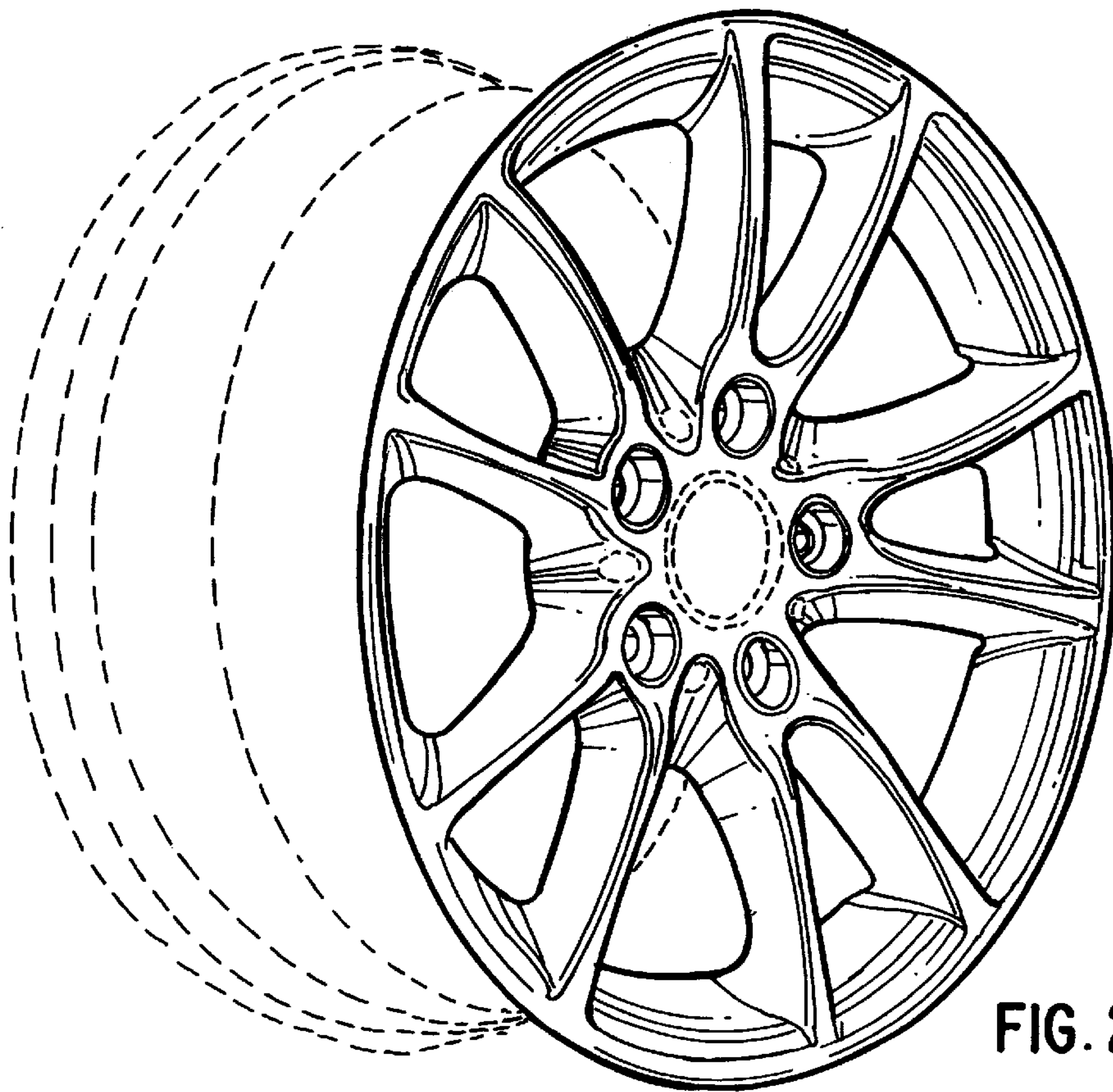


FIG. 2