



US00D432972S

United States Patent [19]
Chung

[11] **Patent Number: Des. 432,972**

[45] **Date of Patent: ** Oct. 31, 2000**

[54] **AUTOMOTIVE WHEEL**

[75] Inventor: **Suny Chung**, Placentia, Calif.

[73] Assignee: **MKW Alloy Inc**, City of Industry, Calif.

[**] Term: **14 Years**

[21] Appl. No.: **29/121,083**

[22] Filed: **Apr. 3, 2000**

[51] **LOC (7) Cl.** **12-16**

[52] **U.S. Cl.** **D12/209**

[58] **Field of Search** D12/204-211;
301/37.1, 64.1, 65

[56] **References Cited**

U.S. PATENT DOCUMENTS

- D. 285,677 9/1986 Menking D12/211
- D. 396,681 8/1998 Boyer D12/209
- D. 403,289 12/1998 Watanabe D12/209
- D. 407,052 3/1999 Kelley D12/209

- D. 412,692 8/1999 Hussaini D12/209
- D. 413,852 9/1999 Cullen D12/209
- D. 414,738 10/1999 Escue D12/209
- D. 422,258 4/2000 Hale, Jr. D12/211
- D. 423,442 4/2000 Hussaini et al. D12/209
- D. 425,006 5/2000 Harlessem D12/209
- D. 425,007 5/2000 Noriega D12/211

Primary Examiner—Stacia Cadmus
Attorney, Agent, or Firm—G. Donald Weber, Jr.

[57] **CLAIM**

The ornamental design for an automotive wheel, as shown and described.

DESCRIPTION

FIG. 1 is an oblique view of the automotive wheel of the instant invention; and, FIG. 2 is a side elevation view of the automotive wheel of the instant invention.

The broken line showing of environment is for illustrative purposes only and forms no part of the claimed design.

1 Claim, 1 Drawing Sheet

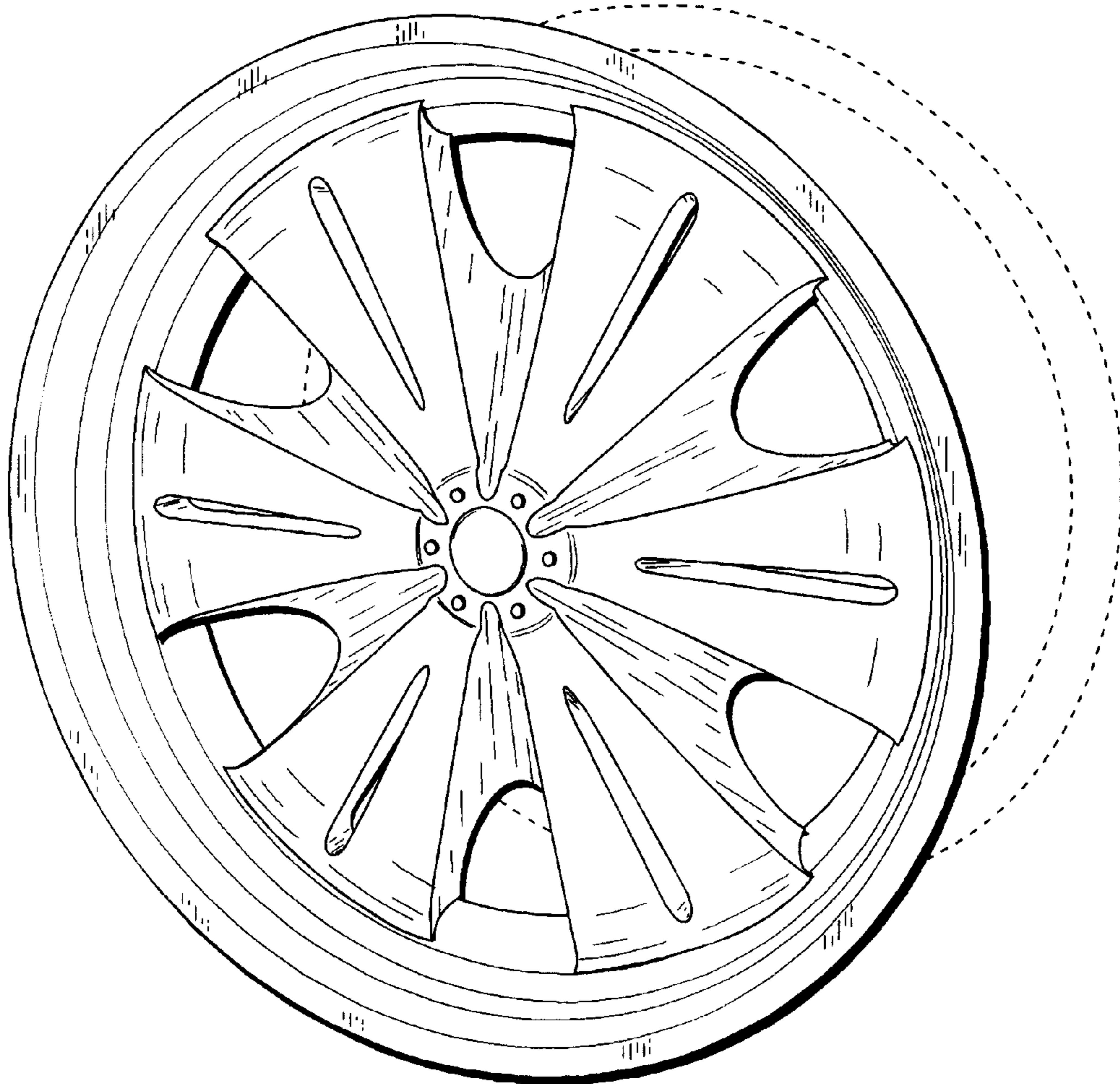


Fig. 1

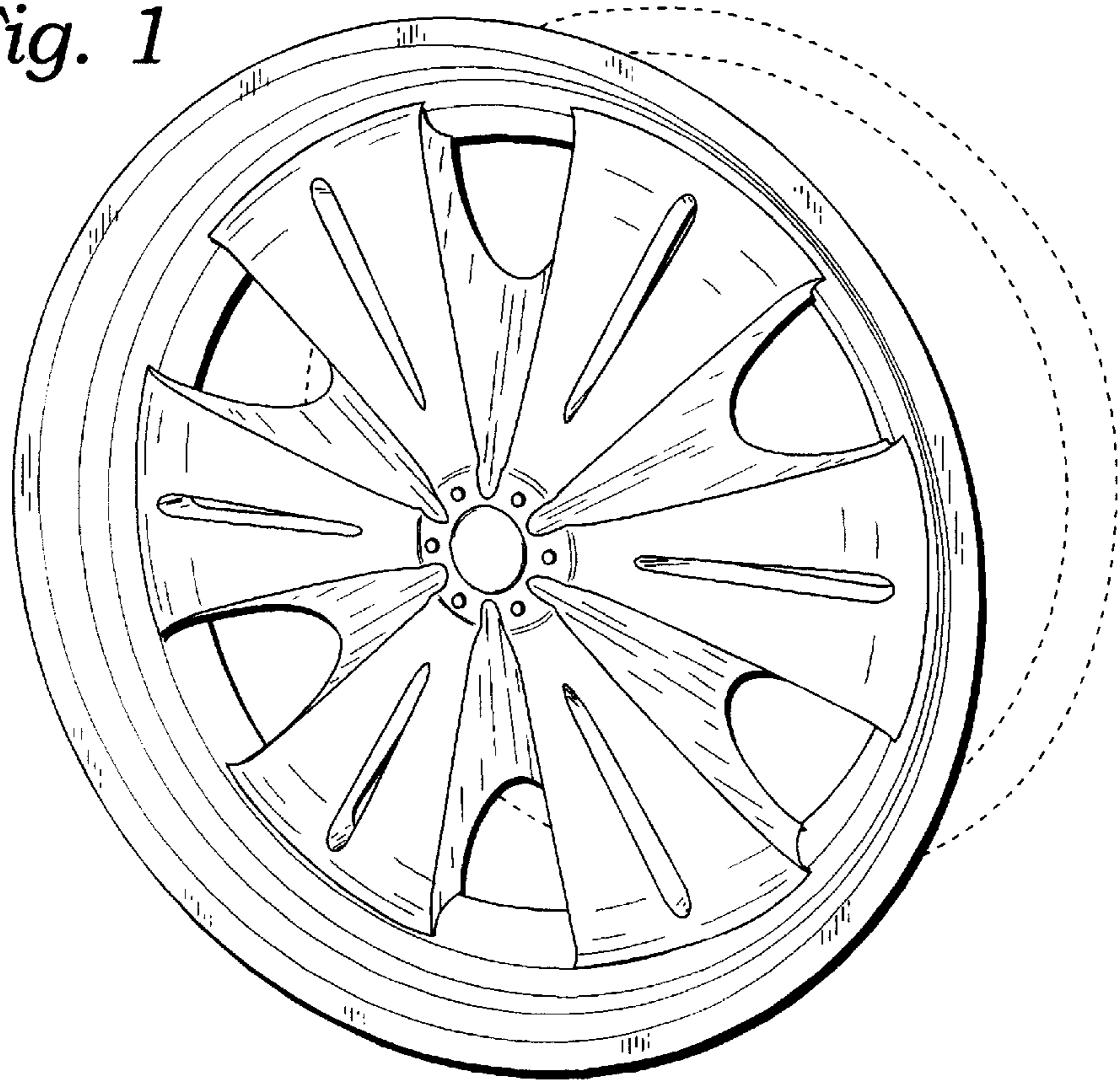


Fig. 2

