

US00D432971S

United States Patent [19]
Donikoglu

[11] **Patent Number: Des. 432,971**

[45] **Date of Patent: ** Oct. 31, 2000**

[54] **WHEEL**

[75] Inventor: **Melkon A. Donikoglu**, Southfield, Mich.

[73] Assignee: **Ultra Wheel Co.**, Buena Park, Calif.

[**] Term: **14 Years**

[21] Appl. No.: **29/119,323**

[22] Filed: **Feb. 25, 2000**

[51] **LOC (7) Cl.** **12-16**

[52] **U.S. Cl.** **D12/209**

[58] **Field of Search** D12/204-211;
301/37.1, 64.1, 65

D. 412,148	7/1999	Fitzgerald	D12/209
D. 413,852	9/1999	Cullen	D12/209
D. 416,532	11/1999	Cullen	D12/209
D. 416,845	11/1999	Frueh	D12/209
D. 416,848	11/1999	Bernoni	D12/209
D. 418,798	1/2000	Muzzarelli et al.	D12/211
D. 423,446	4/2000	Chung	D12/211

Primary Examiner—Stacia Cadmus
Attorney, Agent, or Firm—Pretty, Schroeder & Poplawski

[57] **CLAIM**

The ornamental design for the wheel, as shown and described.

DESCRIPTION

FIG. 1 is a perspective view of a wheel showing my new design;
FIG. 2 is a reduced front elevational view thereof; and,
FIG. 3 is a cross-sectional view thereof taken along the line 3—3 in FIG. 2.

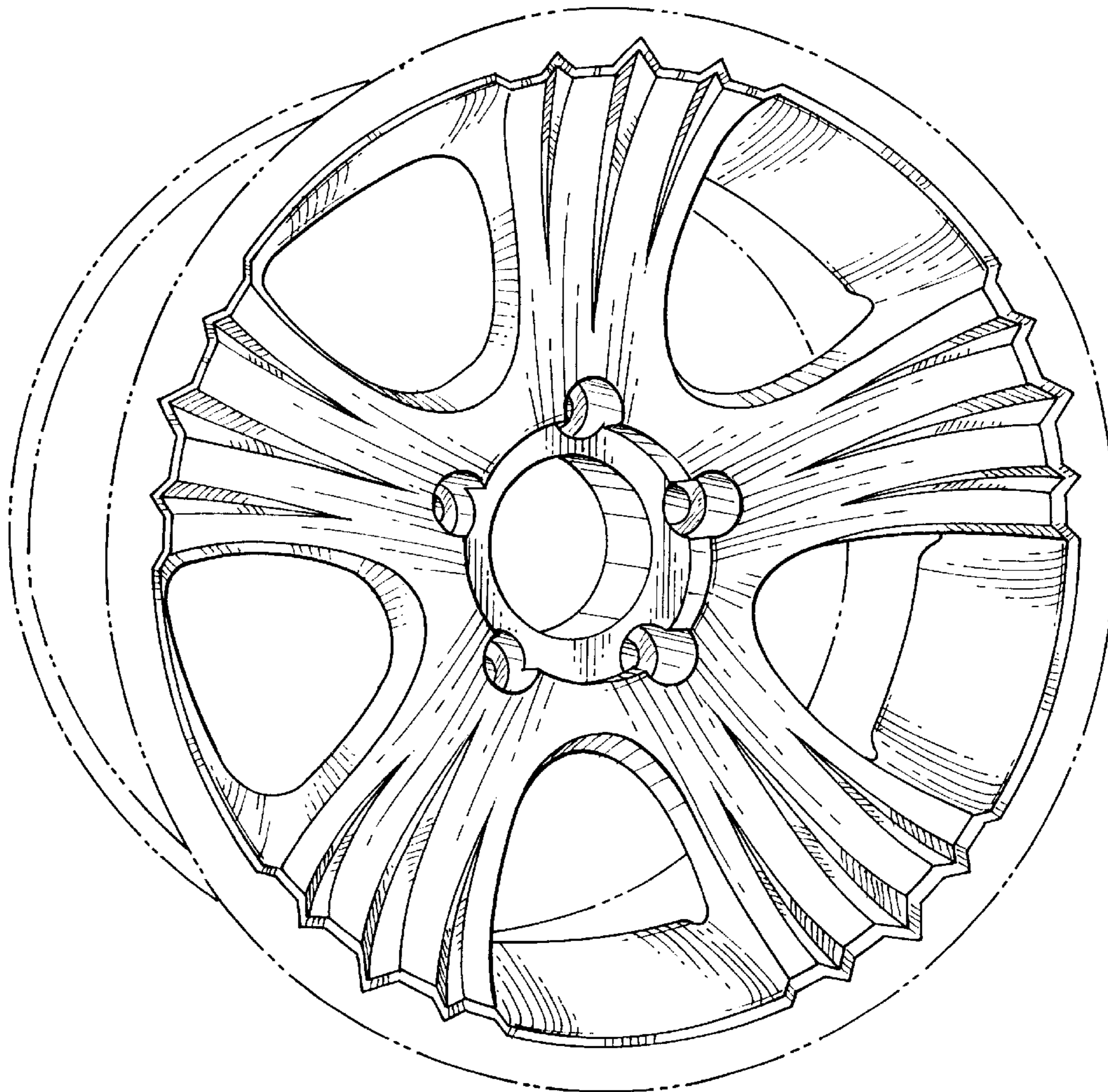
The broken line disclosure in FIGS. 1-3 is for illustrative purposes only and forms no part of the claimed design.
The rear of the wheel forms no part of the claimed design.

1 Claim, 3 Drawing Sheets

[56] **References Cited**

U.S. PATENT DOCUMENTS

D. 375,287	11/1996	Neeper	D12/211
D. 399,470	10/1998	Sacco et al.	D12/209
D. 403,648	1/1999	Feriero	D12/209
D. 403,649	1/1999	Moreno	D12/211
D. 407,363	3/1999	Muzzarelli	D12/209
D. 408,778	4/1999	Neeper	D12/211



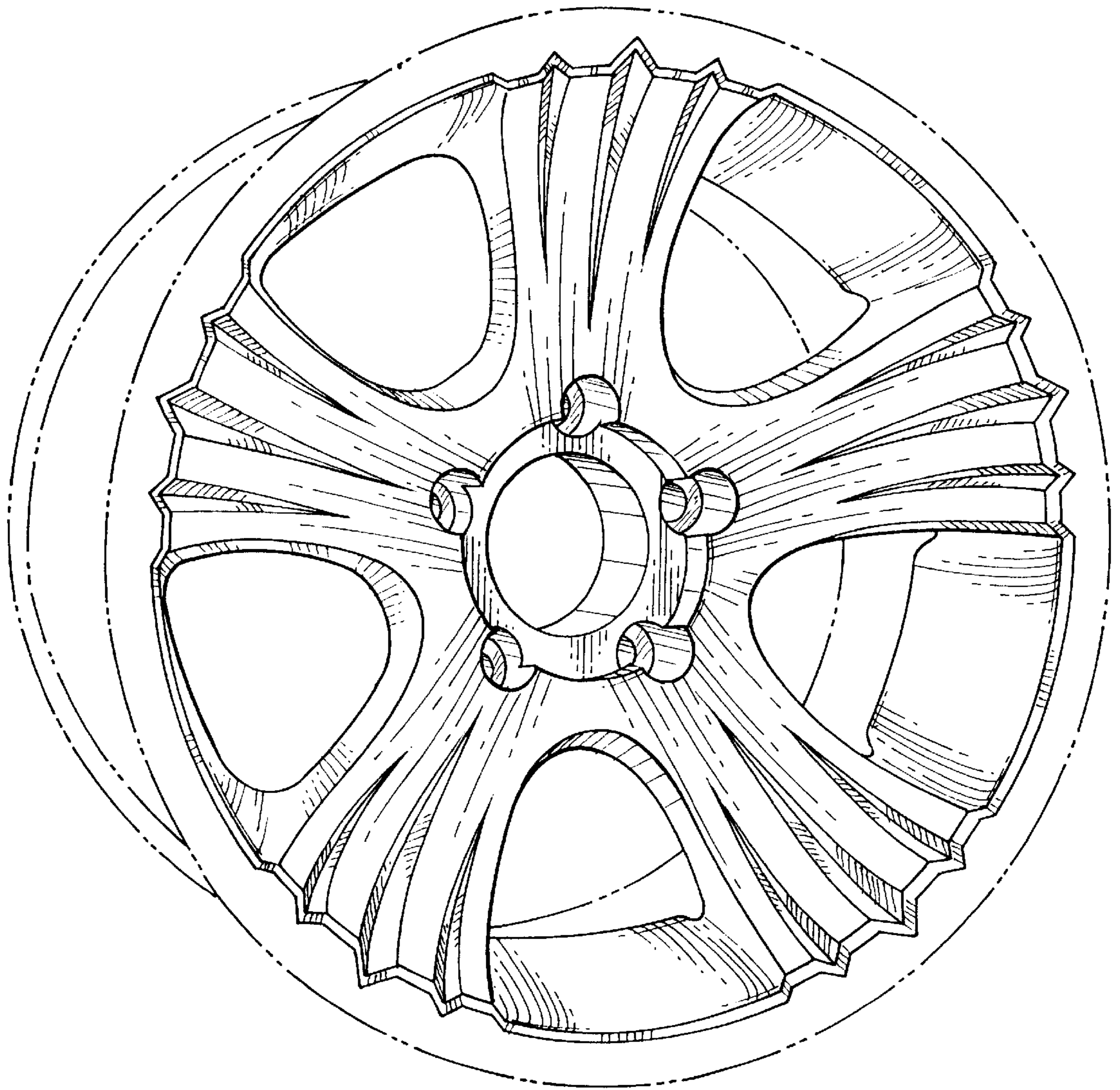
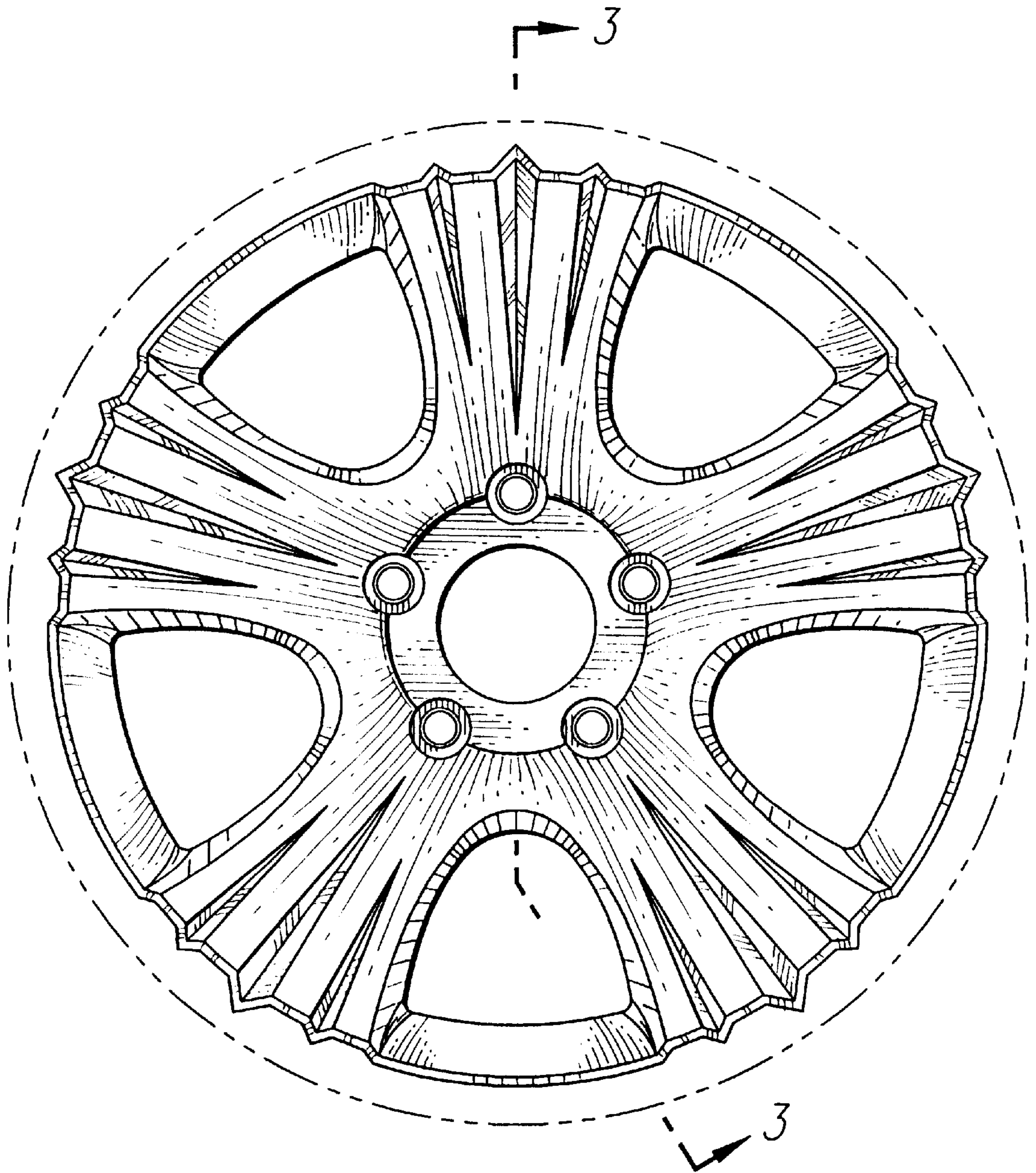


FIG. 1

FIG. 2



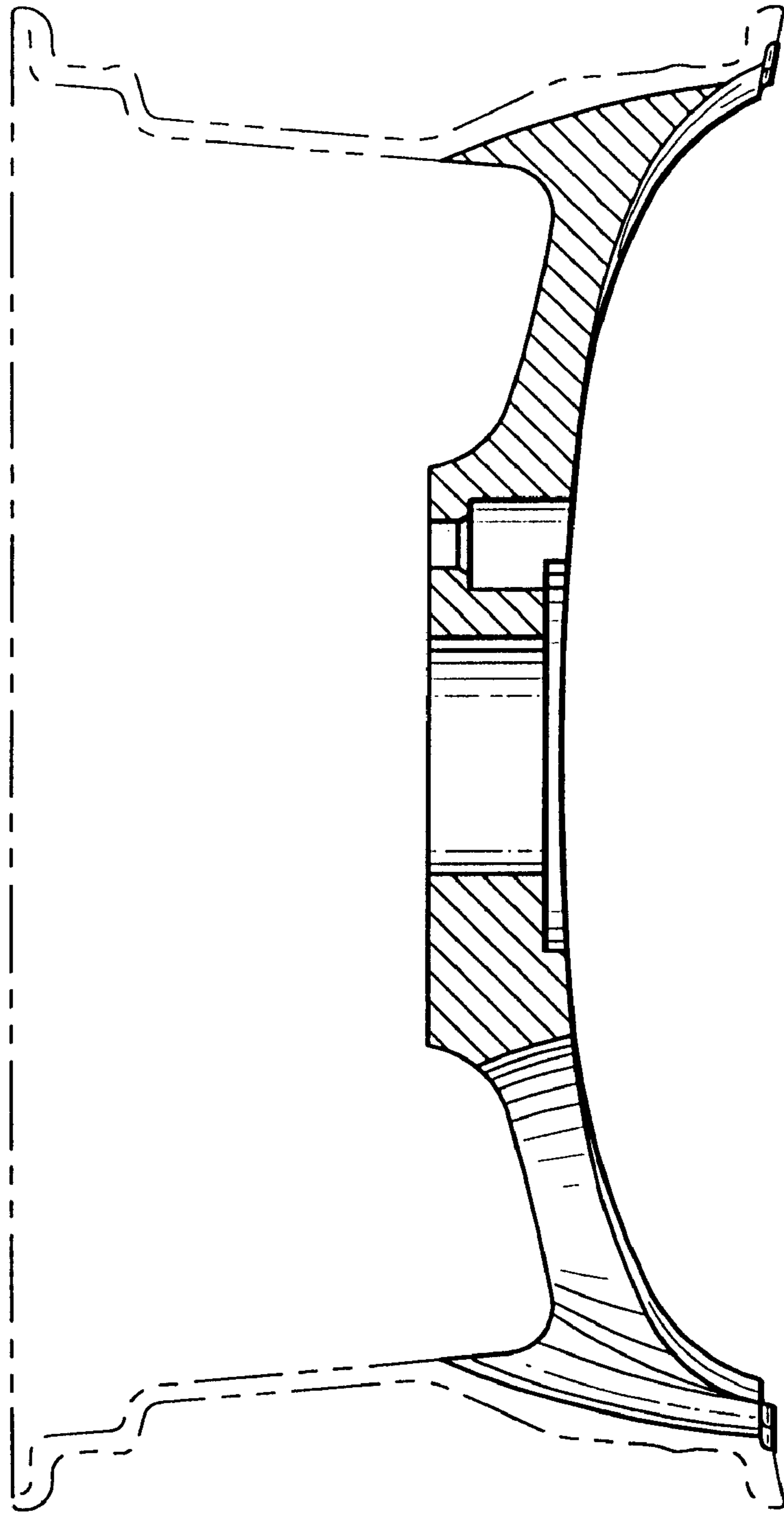


FIG. 3