



US00D432964S

United States Patent [19]

Lee et al.

[11] **Patent Number: Des. 432,964**

[45] **Date of Patent: ** Oct. 31, 2000**

[54] **PORTION OF A VEHICLE BODY**

D. 418,088	12/1999	Fioravanti	D12/92
D. 419,489	1/2000	Sacco et al.	D12/92
D. 421,240	2/2000	Forbes-Robinson	D12/92

[75] Inventors: **Bernard Giunhwang Lee**, Los Angeles; **Donald Mark Herner**, Placentia, both of Calif.

Primary Examiner—Melody N. Brown
Attorney, Agent, or Firm—Banner & Witcoff, Ltd.

[73] Assignee: **Honda Giken Kogyo Kabushiki Kaisha**, Japan

[57] **CLAIM**

[**] Term: **14 Years**

The ornamental design for a portion of a vehicle body, as shown and described.

[21] Appl. No.: **29/112,220**

DESCRIPTION

[22] Filed: **Oct. 14, 1999**

FIG. 1 is a front perspective view of a portion of a vehicle body showing our new design;
FIG. 2 is a rear perspective view thereof;
FIG. 3 is a side elevational view thereof with the other side being a mirror image;
FIG. 4 is front elevational view thereof; and,
FIG. 5 is a top plan view thereof.
The broken line representations are for illustrative purposes only and form no part of the claimed design.

[51] **LOC (7) Cl.** **12-16**

[52] **U.S. Cl.** **D12/196**

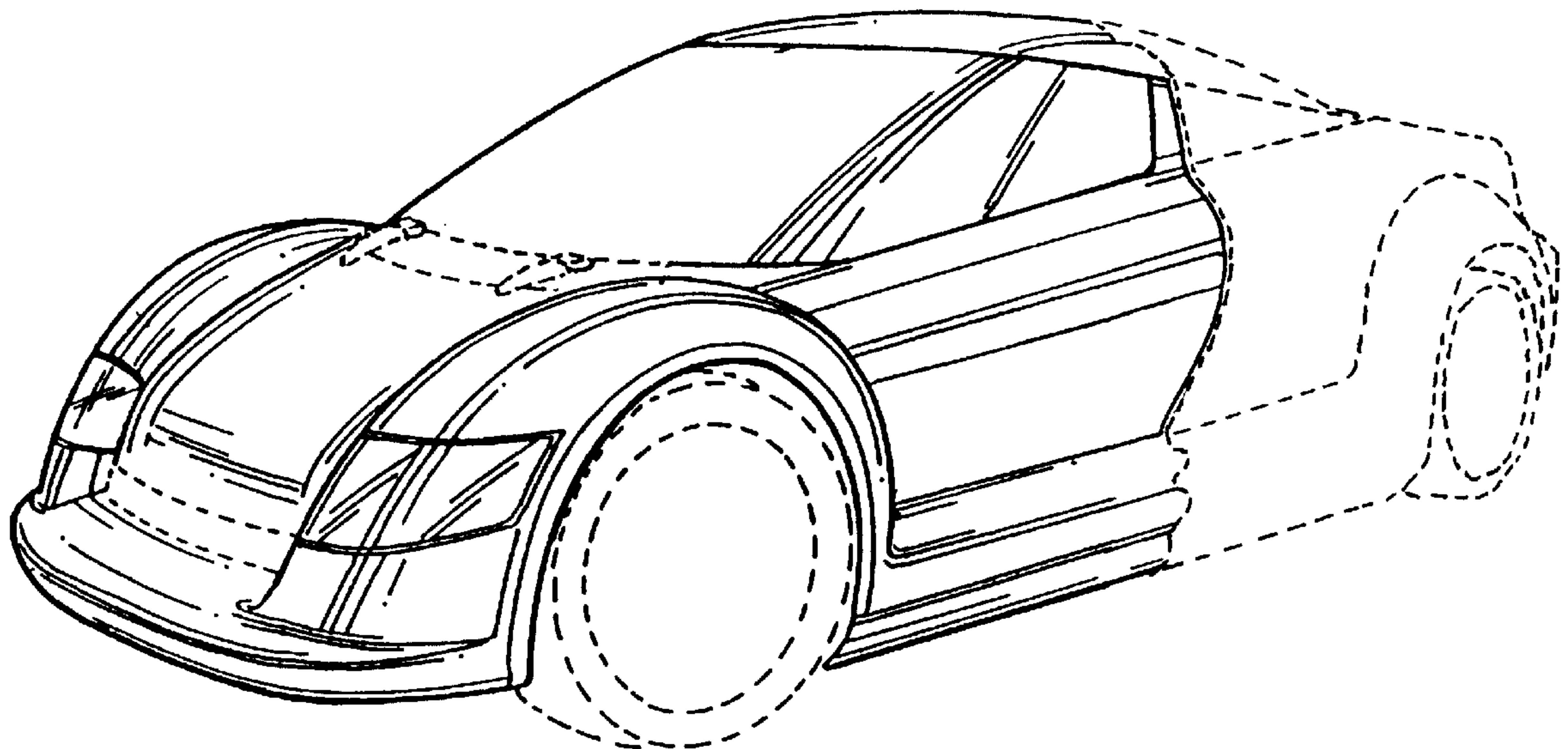
[58] **Field of Search** D12/196, 90-92,
D12/86, 88; 296/195

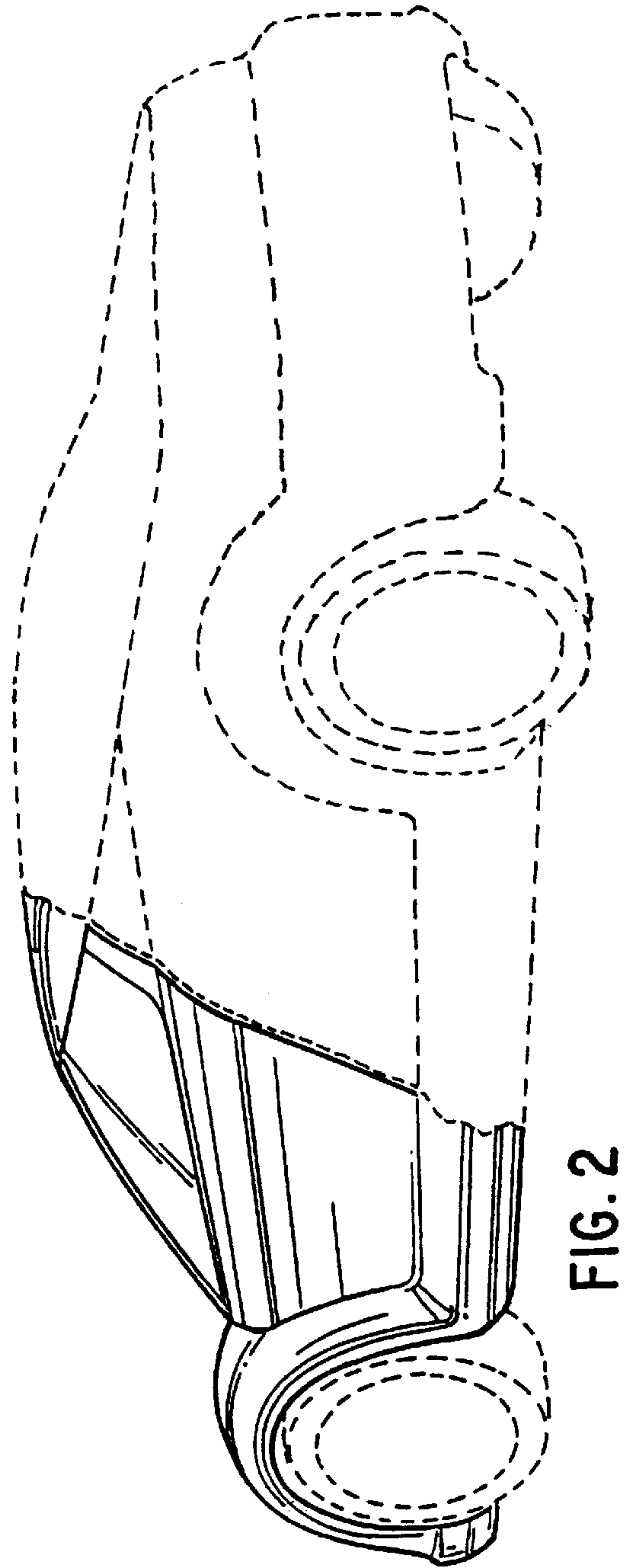
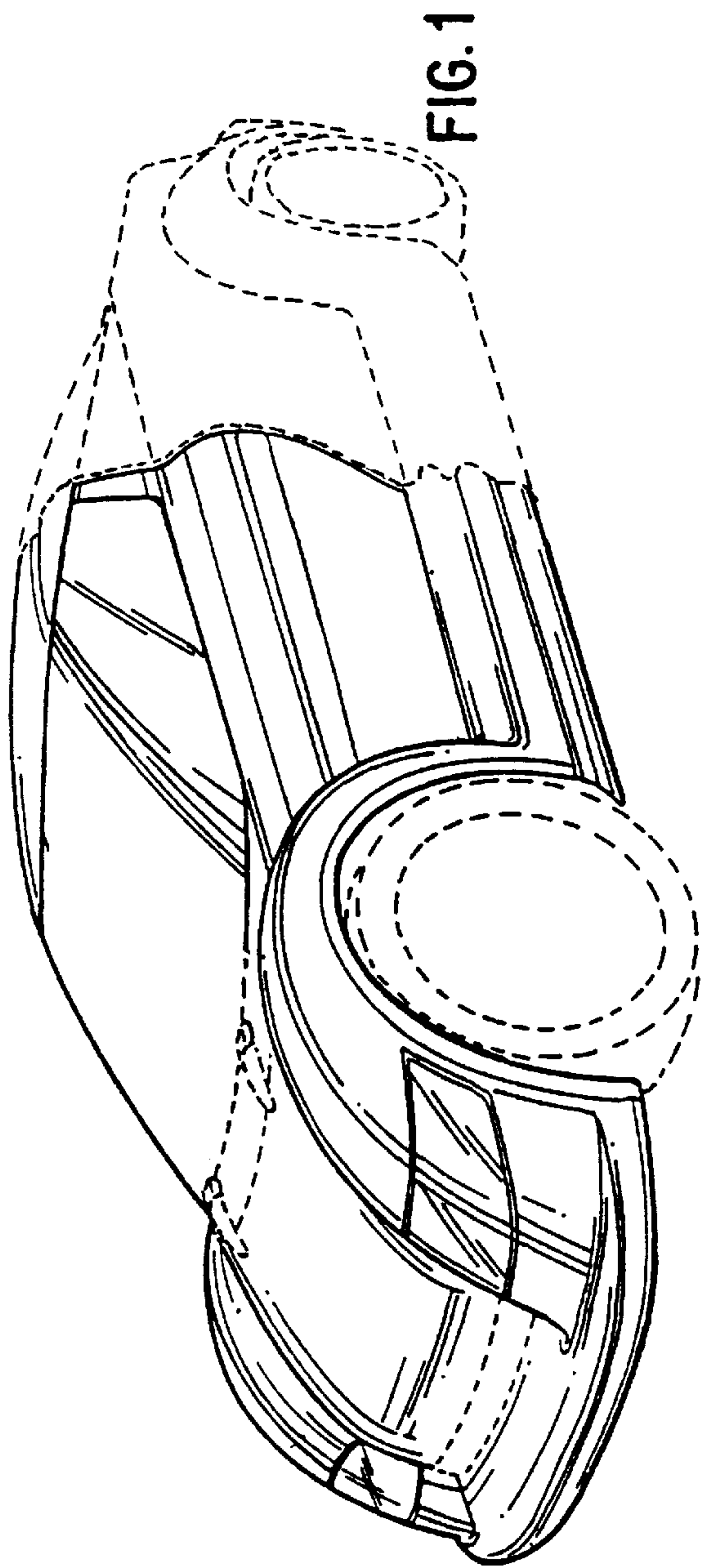
[56] **References Cited**

U.S. PATENT DOCUMENTS

D. 411,138 6/1999 Ramaciotti D12/92

1 Claim, 4 Drawing Sheets





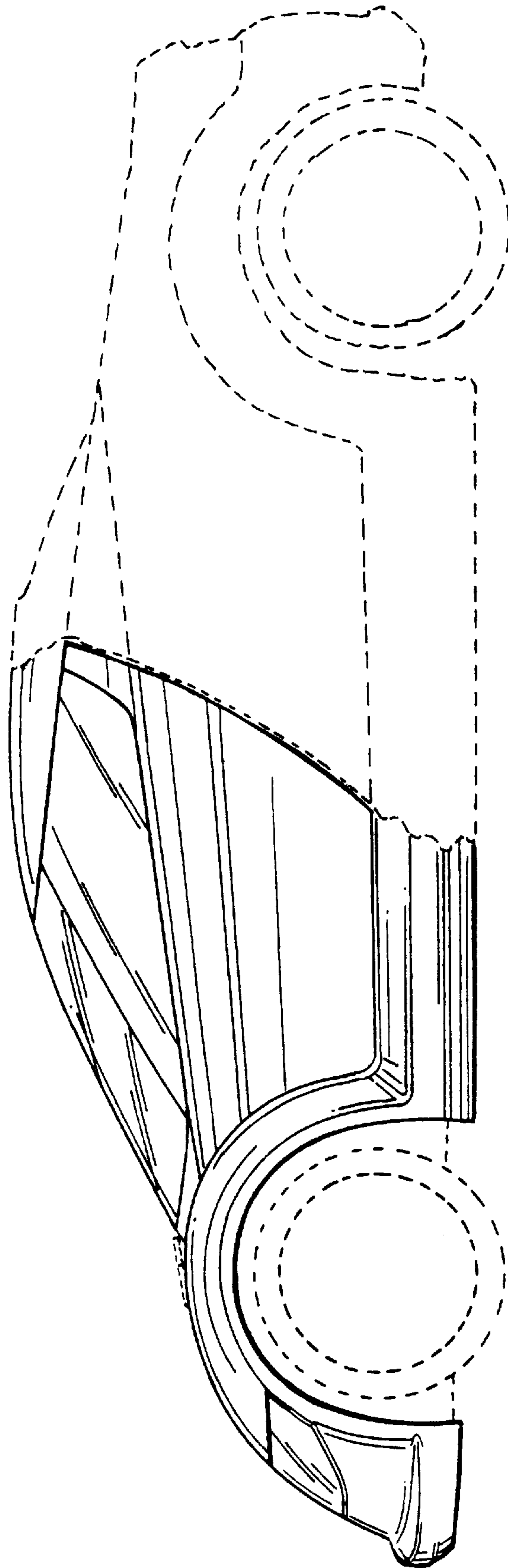


FIG. 3

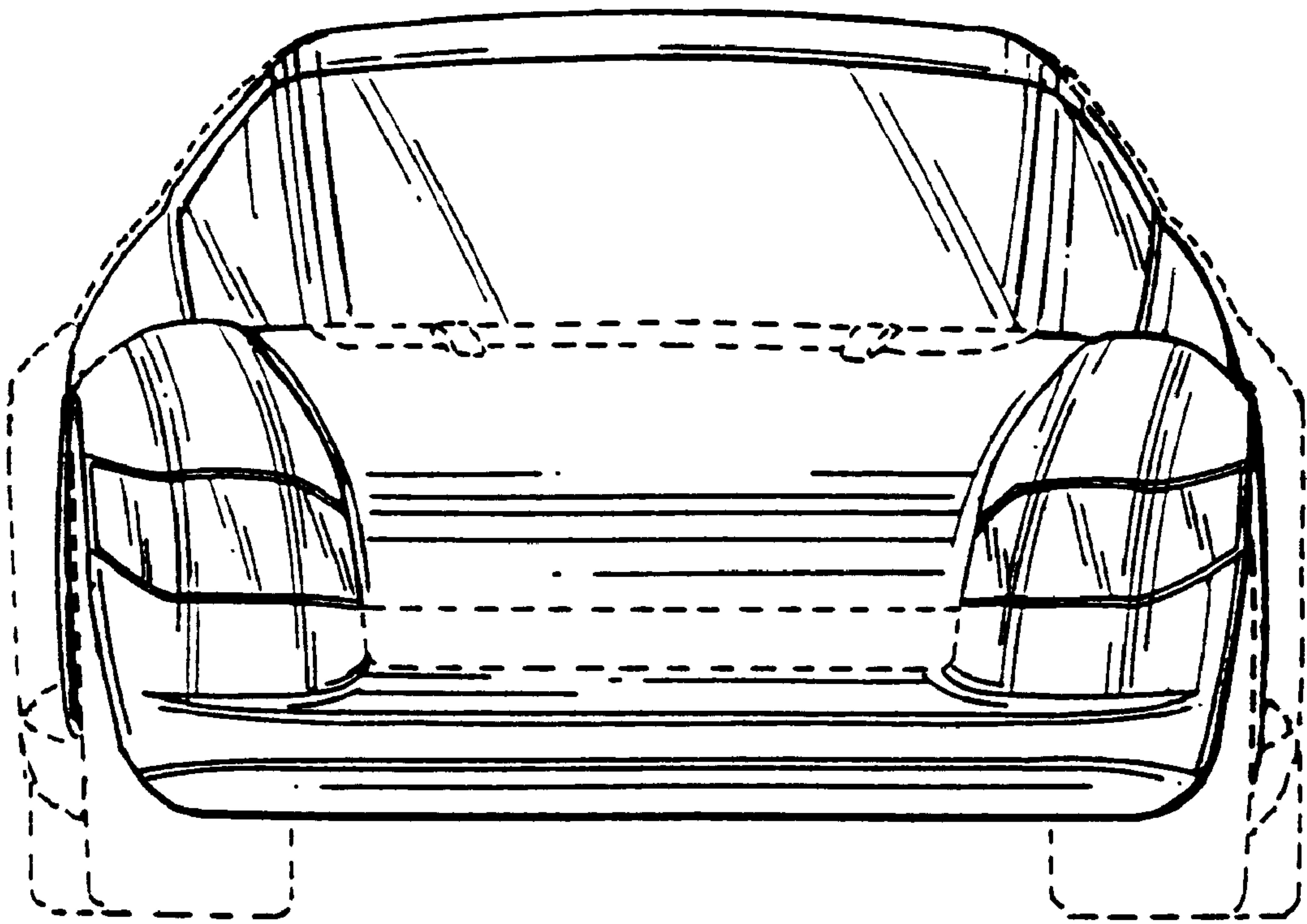


FIG. 4

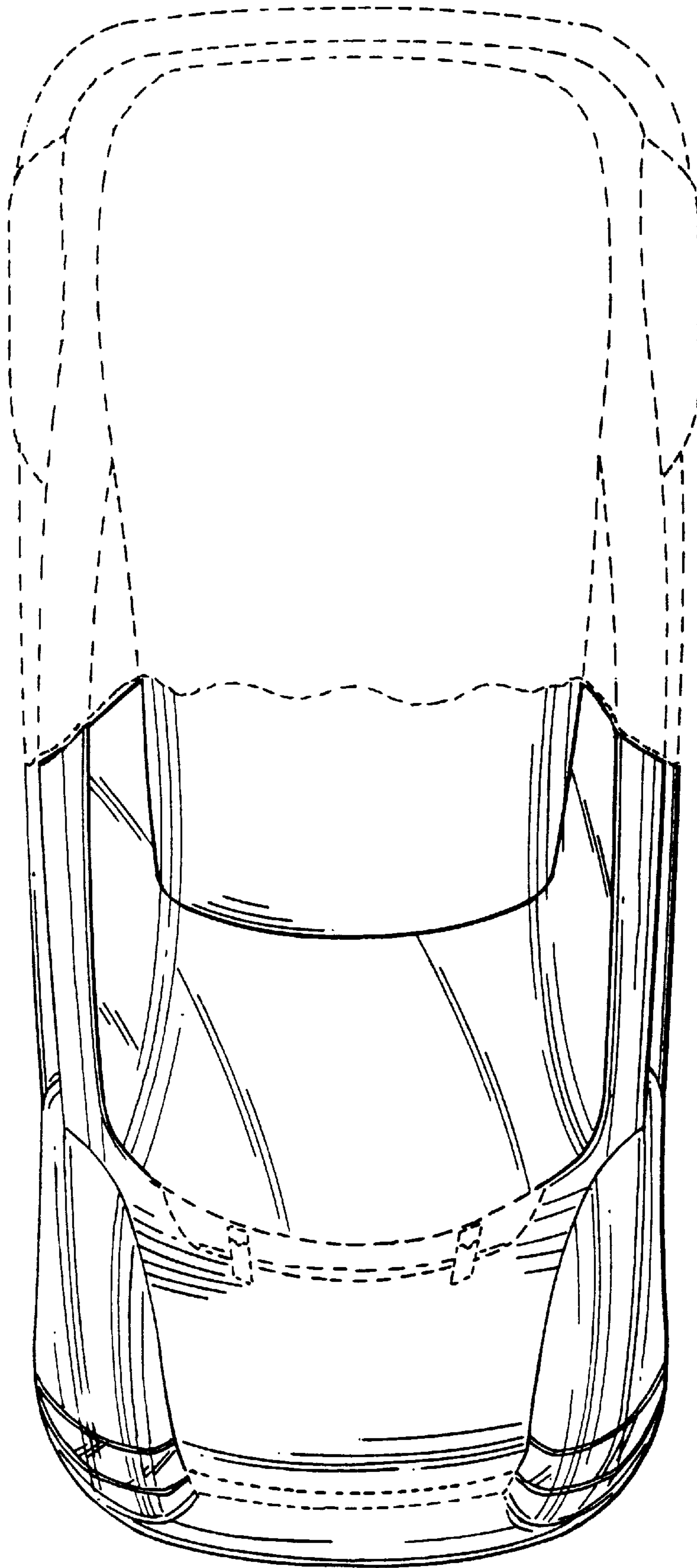


FIG. 5