



US00D432955S

United States Patent [19]

Arevalo et al.

[11] Patent Number: **Des. 432,955**

[45] Date of Patent: **** Oct. 31, 2000**

[54] **SEAT BELT BUCKLE COVER AND/OR STEERING WHEEL COVER**

D. 420,944 2/2000 Hoagland, IV D12/126

Primary Examiner—Melody N. Brown

[76] Inventors: **Steven Arevalo; Sylvia Arevalo**, both of 14861 Mulberry Dr. #1314, Whittier, Calif. 90604-1562

[57] **CLAIM**

The ornamental design for a seat belt buckle cover and/or steering wheel cover, as shown and described.

[**] Term: **14 Years**

DESCRIPTION

[21] Appl. No.: **29/109,675**

FIG. 1 is a front elevational view of the seat belt buckle cover and/or steering wheel cover of the present invention; FIG. 2 is a rear elevational view of the seat belt buckle cover and/or steering wheel cover of FIG. 1; FIG. 3 is a left side elevational view of the seat belt buckle cover and/or steering wheel cover of FIG. 1; FIG. 4 is a right side elevational view of the seat belt buckle cover and/or steering wheel cover of FIG. 1; FIG. 5 is a top plan view of the seat belt buckle cover and/or steering wheel cover of FIG. 1; and, FIG. 6 is a bottom plan view of the seat belt buckle cover and/or steering wheel cover of FIG. 1.

[22] Filed: **Aug. 19, 1999**

[51] **LOC (7) Cl.** **12-16**

[52] **U.S. Cl.** **D12/126; D12/177**

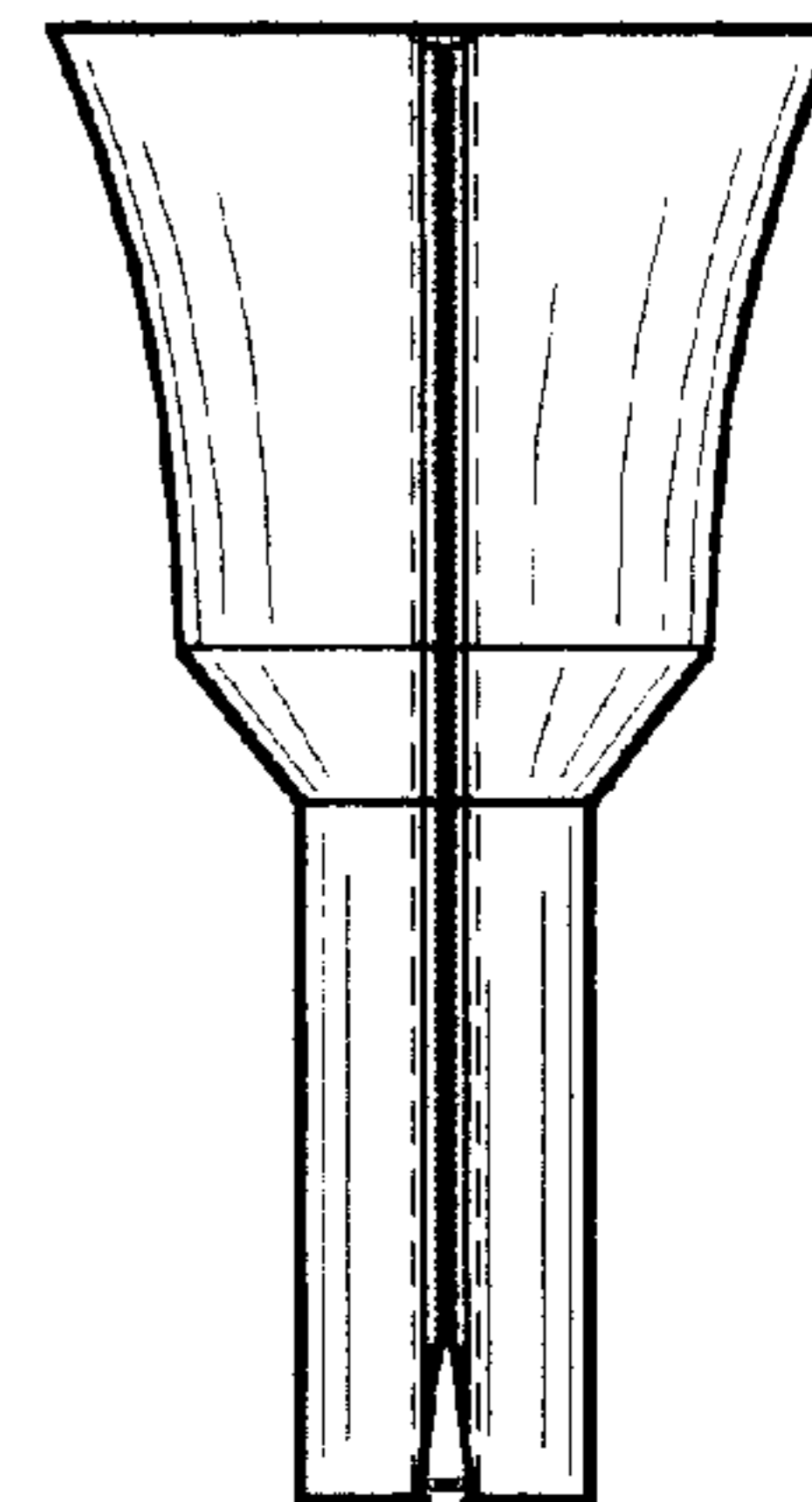
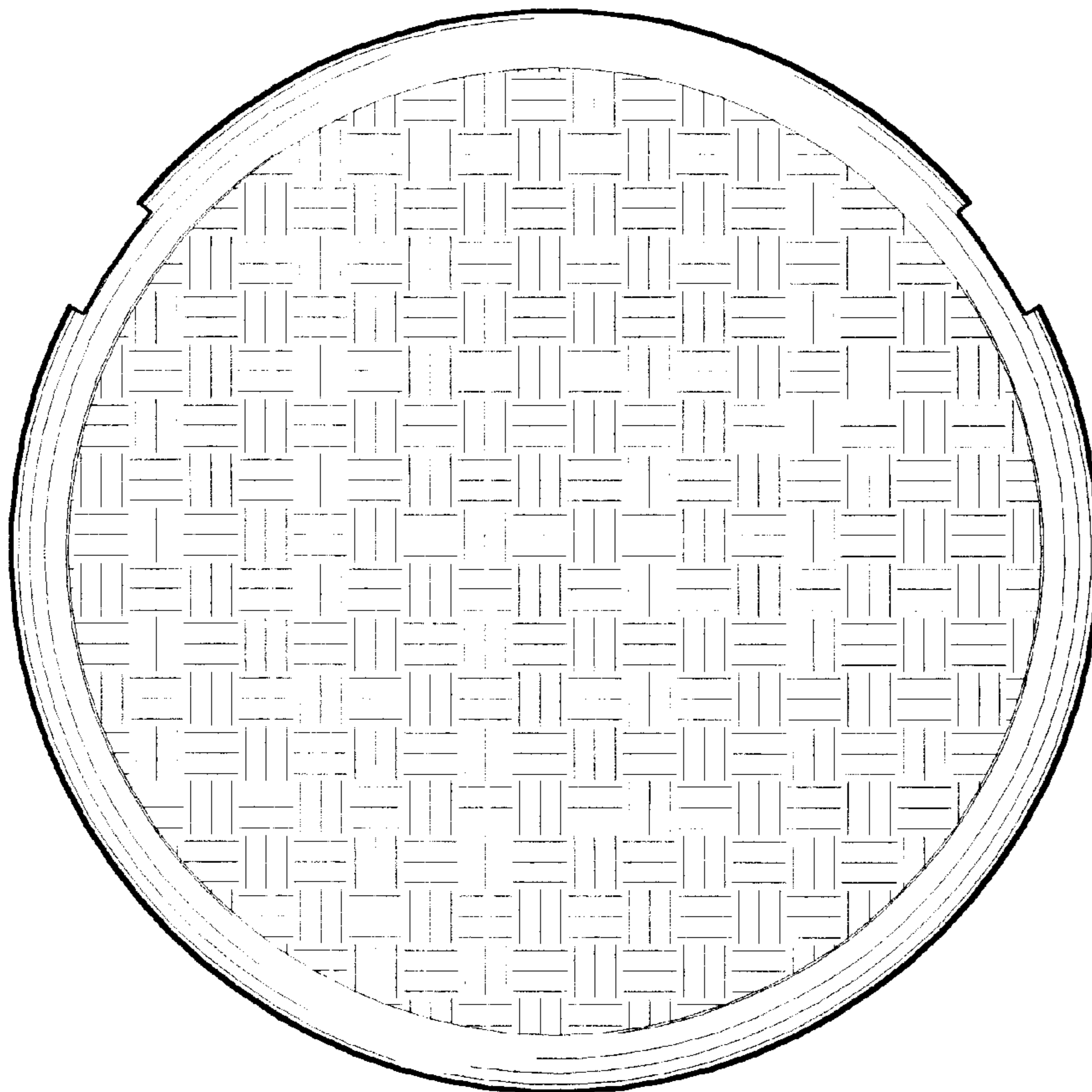
[58] **Field of Search** D12/126, 177, D12/114, 400; D9/434; 711/558, 558.5

[56] **References Cited**

U.S. PATENT DOCUMENTS

D. 390,507	2/1998	Hoagland, IV	D12/126
D. 395,028	6/1998	Ho	D12/177
D. 409,962	5/1999	Lemont	D12/177
D. 412,690	8/1999	Capello	D12/177

1 Claim, 3 Drawing Sheets



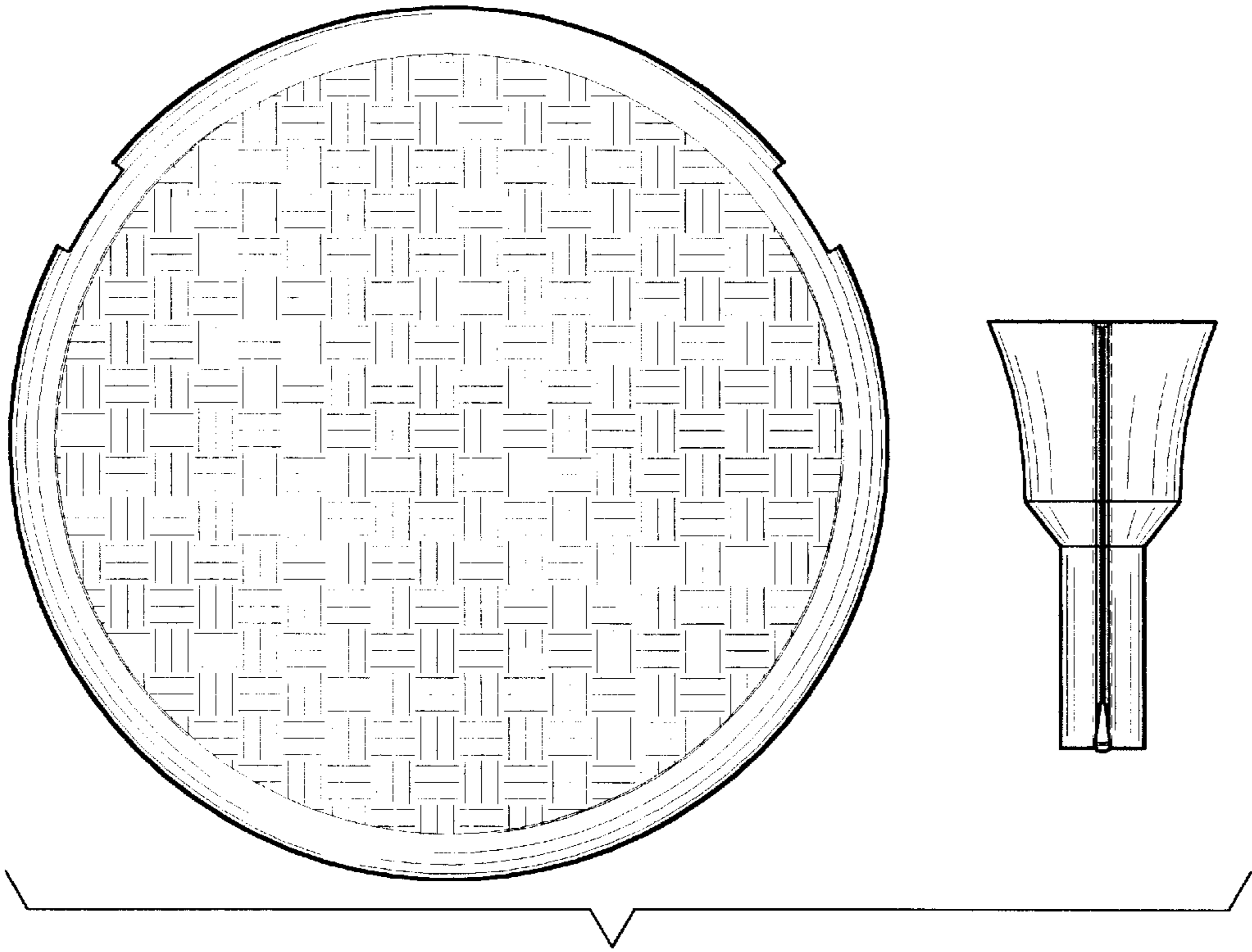


Fig. 1

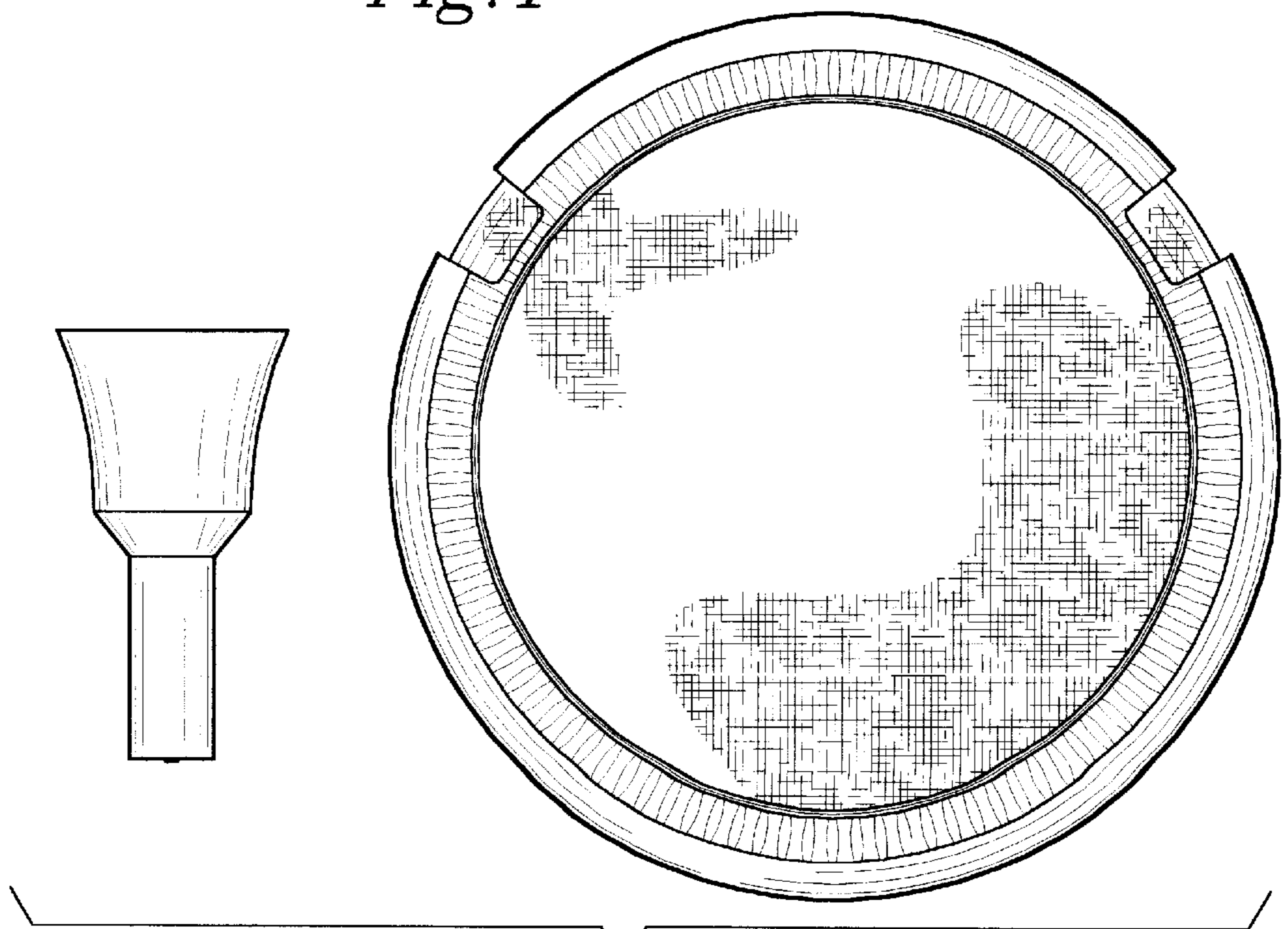


Fig. 2

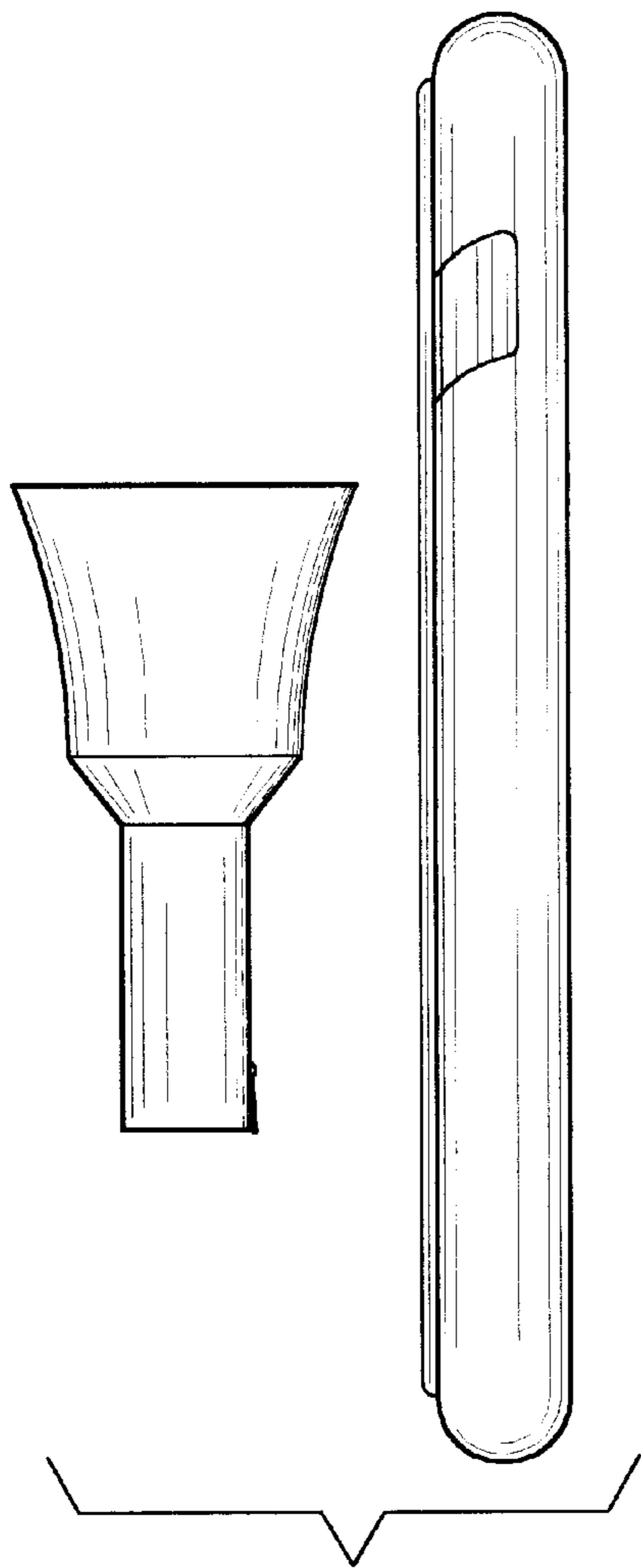


Fig. 3

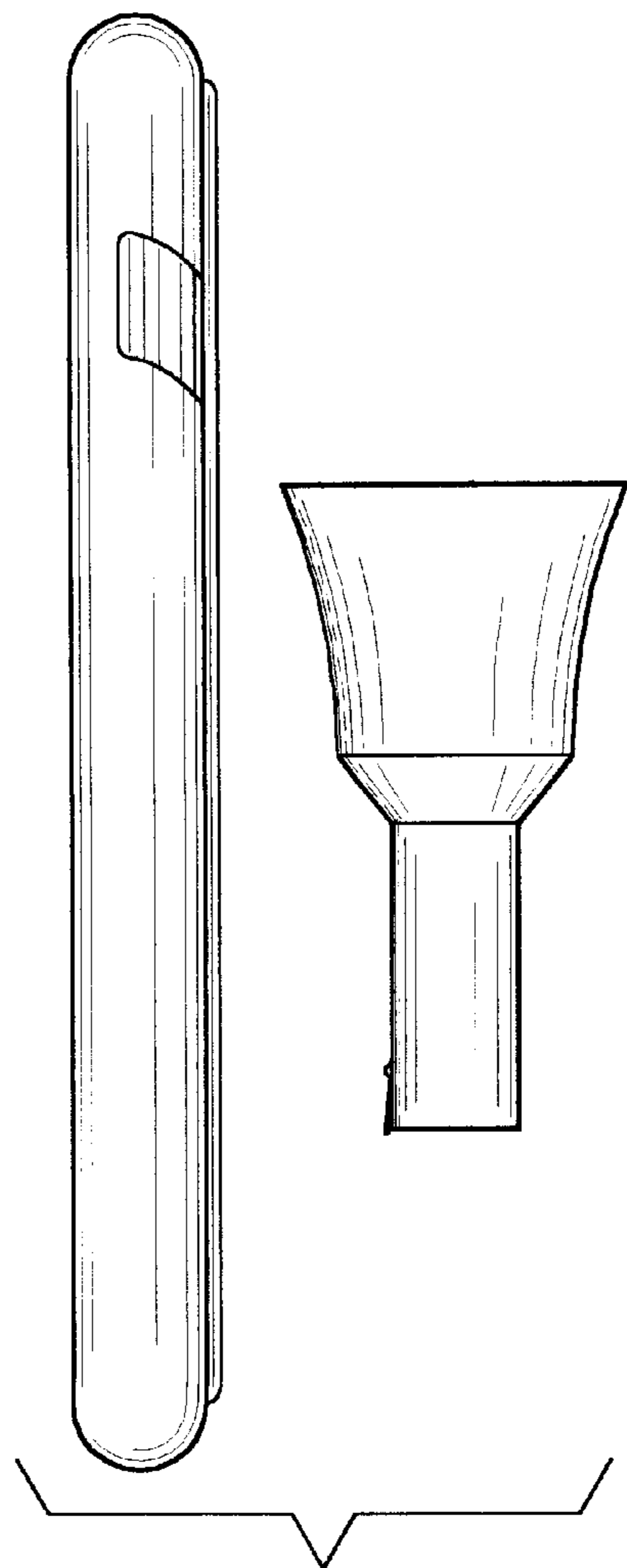


Fig. 4

