



US00D432952S

United States Patent [19]
Scruggs

[11] **Patent Number: Des. 432,952**

[45] **Date of Patent: ** Oct. 31, 2000**

[54] **MINI-CHASSIS FOR MOTORBIKE**

Attorney, Agent, or Firm—Dougherty & Associates

[76] **Inventor: Jerry N. Scruggs**, 1765 Hollandale Dr.,
Gastonia, N.C. 28054

[57] **CLAIM**

[**] **Term: 14 Years**

The ornamental design for a mini-chassis for motorbike, as shown and described.

[21] **Appl. No.: 29/097,164**

DESCRIPTION

[22] **Filed: Dec. 1, 1998**

FIG. 1 is an isometric view of a mini-chassis for motorbike showing the new design, with wheels and other parts shown in dotted lines;

[51] **LOC (7) Cl. 12-11**

[52] **U.S. Cl. D12/110**

[58] **Field of Search** D12/111, 117;
280/281.1, 288.1–288.4; 180/219, 227

FIG. 2 is a top view of the mini-chassis for motorbike of FIG. 1;

FIG. 3 is a front view of the mini-chassis for motorbike of FIG. 1;

[56] **References Cited**

U.S. PATENT DOCUMENTS

- D. 202,968 11/1965 Carey et al. D12/107
- D. 253,832 1/1980 Cook et al. D12/111
- D. 277,744 2/1985 Traylor D12/111
- D. 420,310 2/2000 Spriggs et al. D12/111

FIG. 4 is a left side view of the mini-chassis for motorbike of FIG. 1, the right side view being a mirror image thereof;

FIG. 5 is a rear view of the mini-chassis for motorbike of FIG. 1; and,

FIG. 6 is a bottom view of the mini-chassis for motorbike of FIG. 1.

The broken lines are for illustrative purposes only and form no part of the claimed design.

Primary Examiner—Alan P. Douglas
Assistant Examiner—Linda Brooks

1 Claim, 2 Drawing Sheets

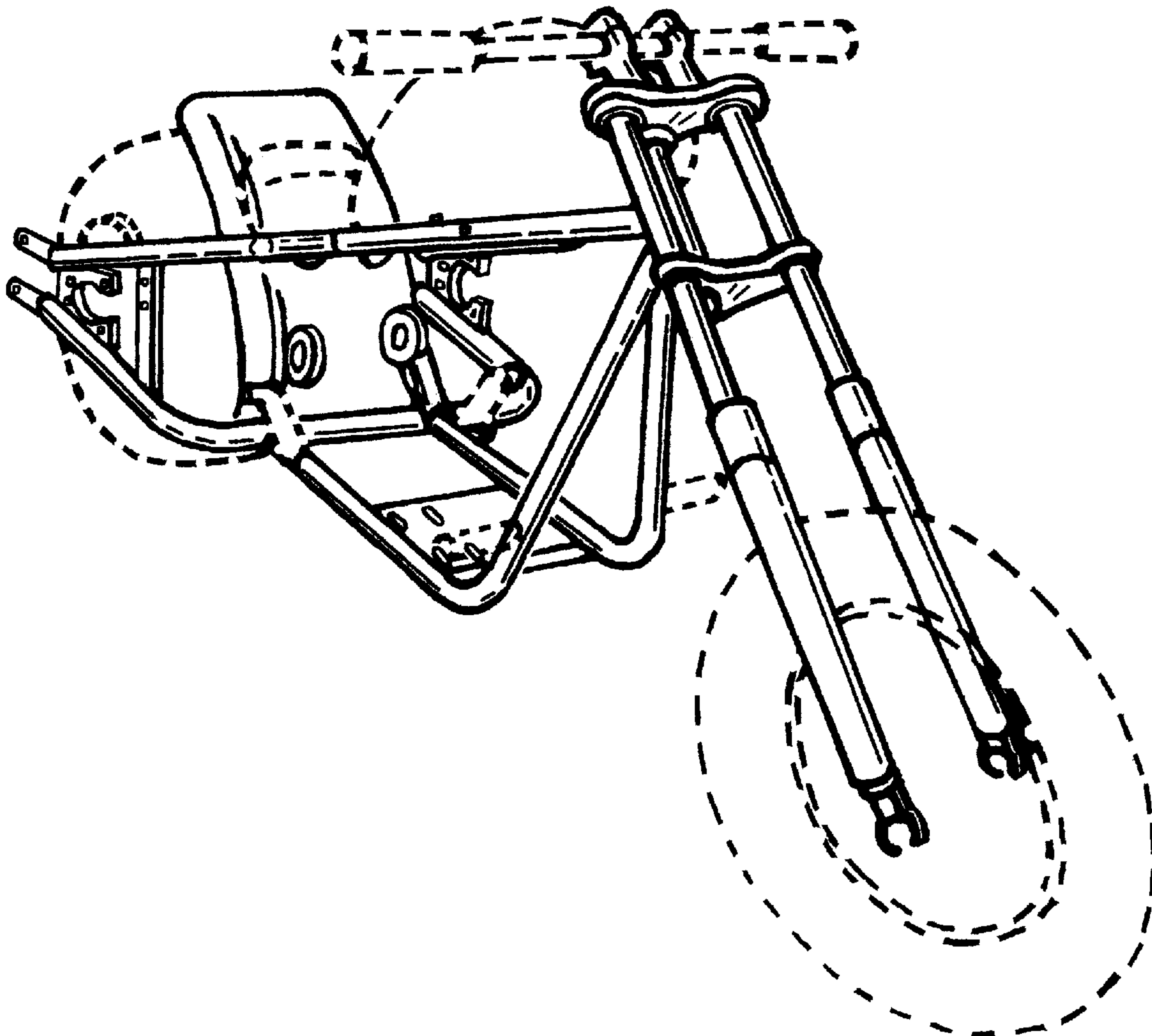
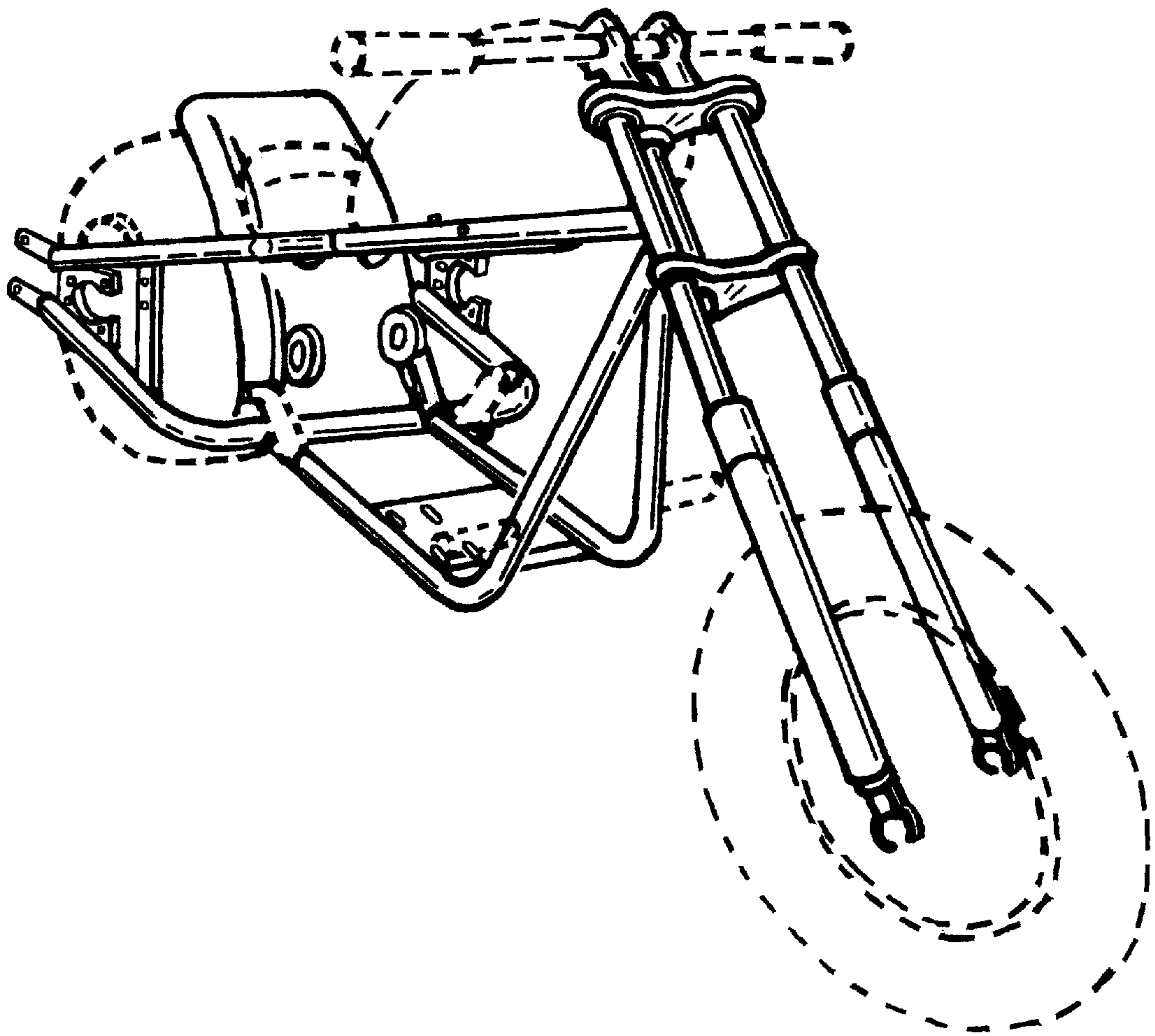


Fig. 1



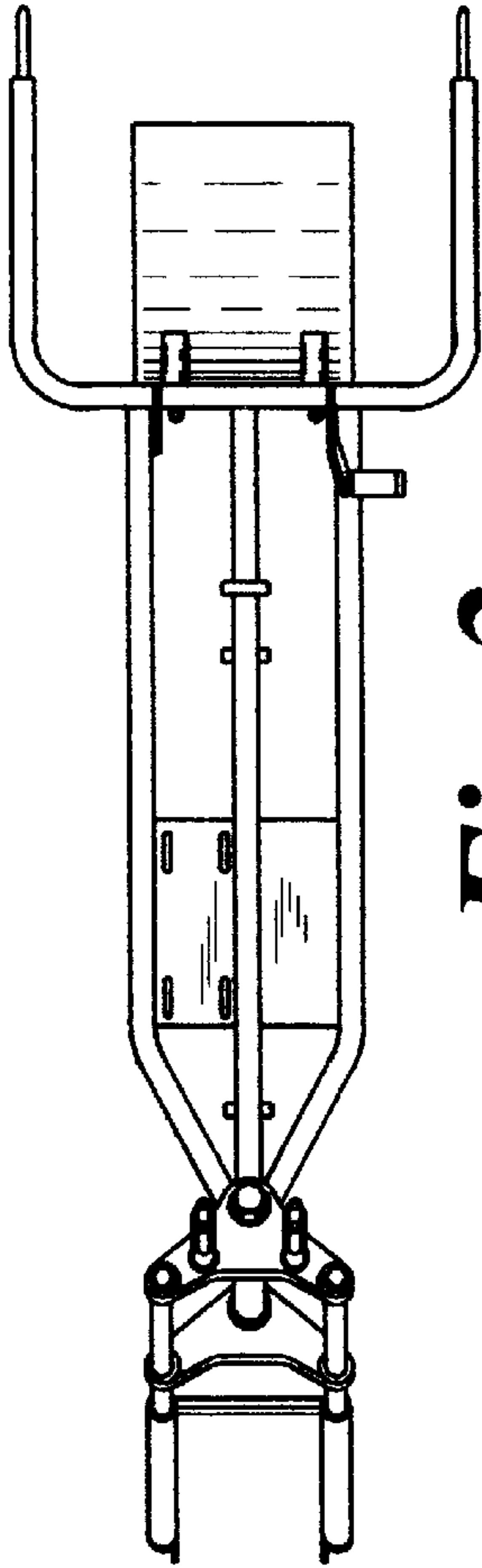


Fig. 2

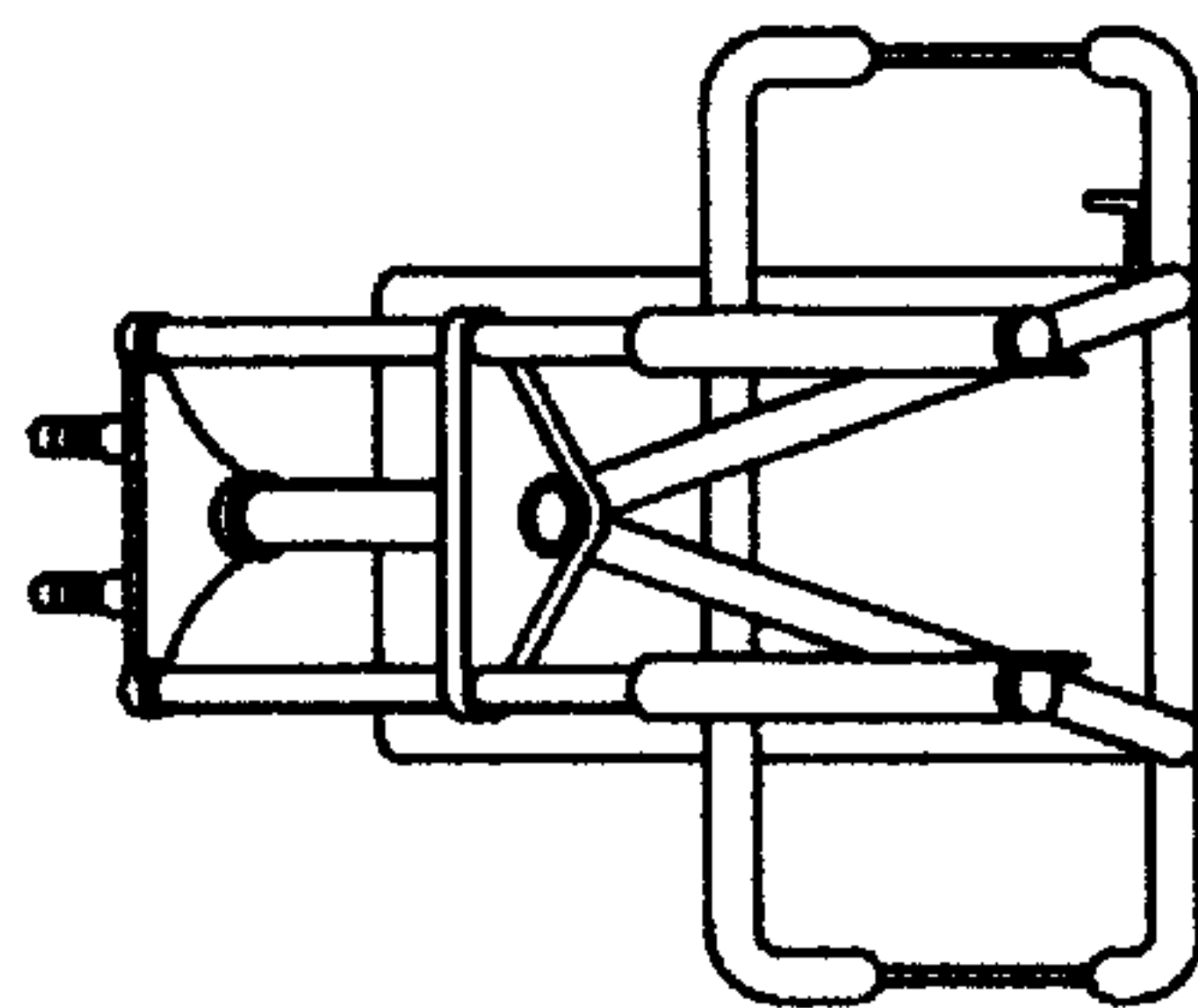


Fig. 3

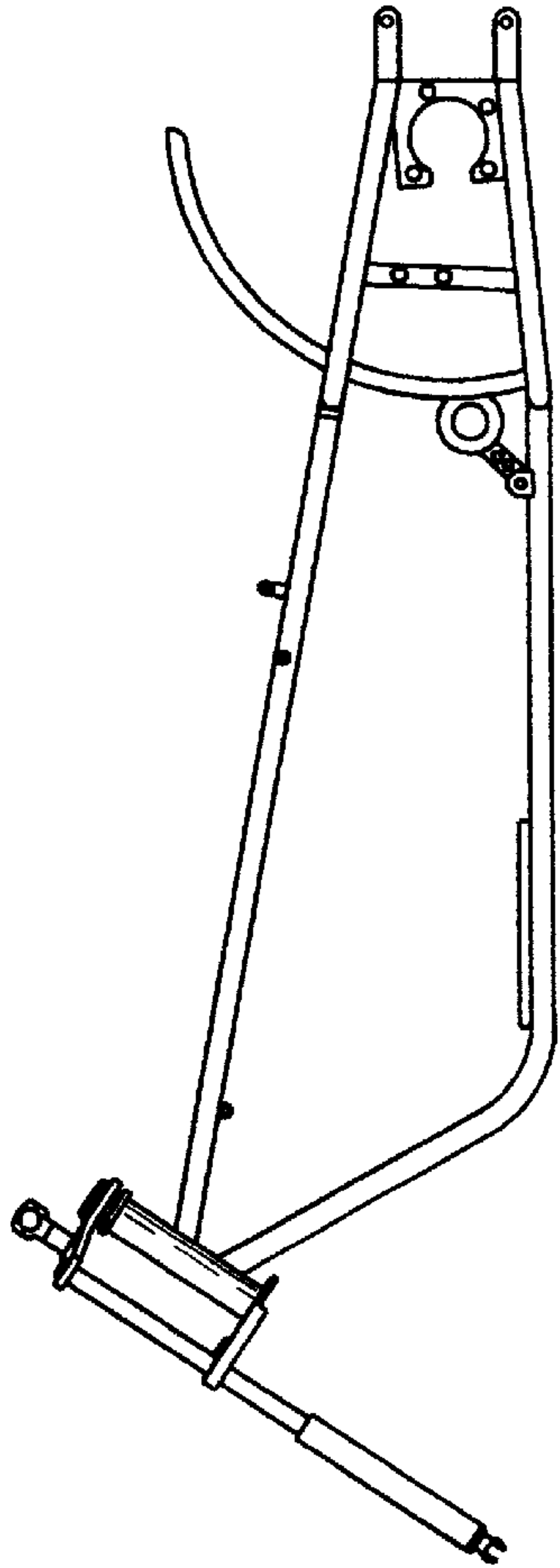


Fig. 4

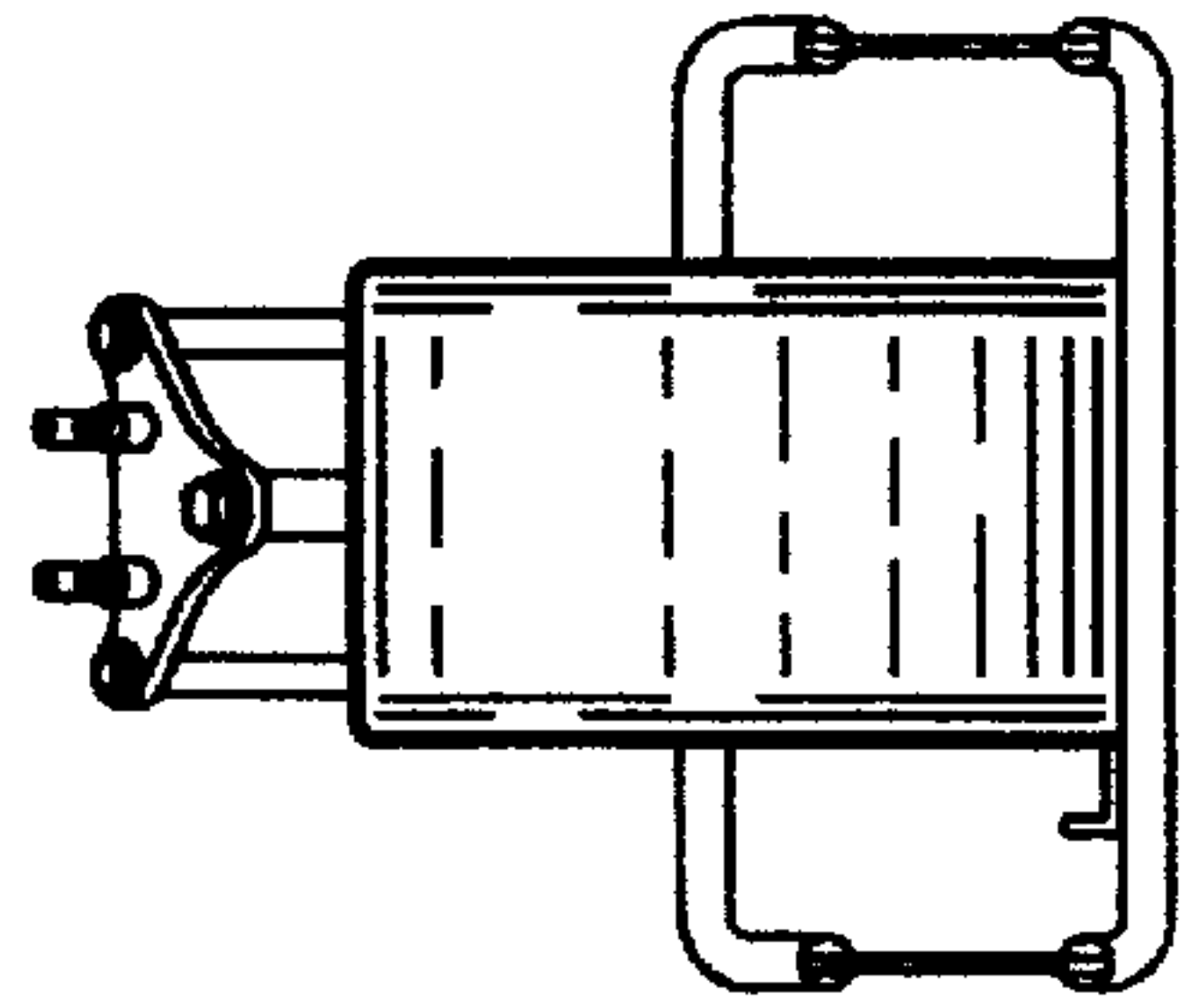


Fig. 5

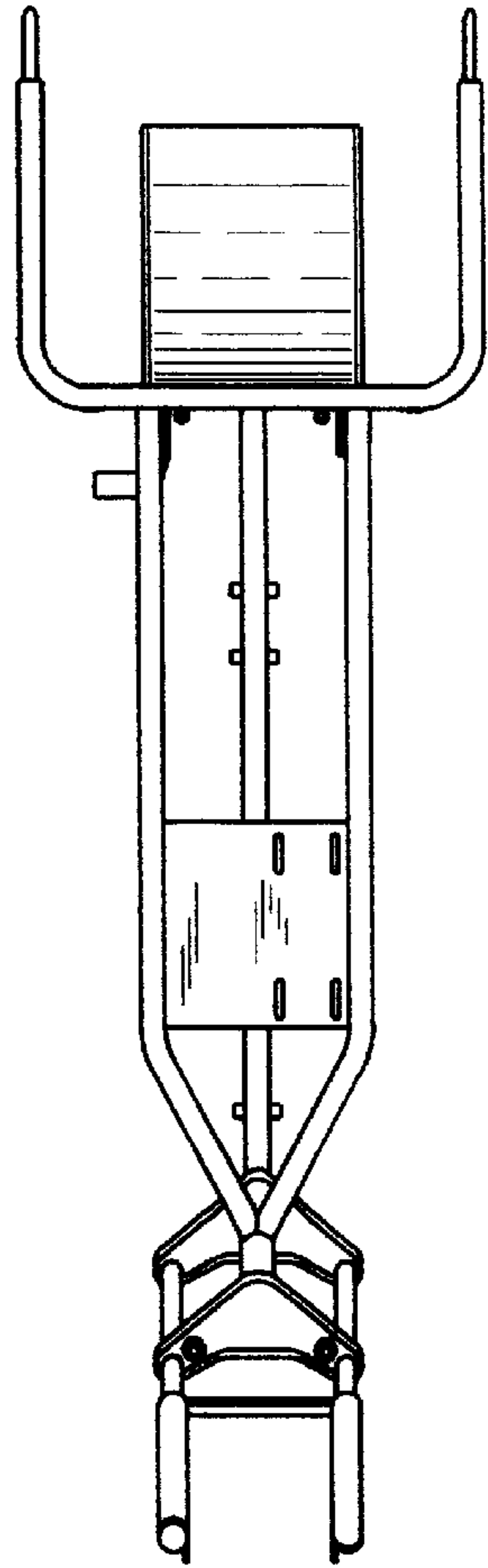


Fig. 6