



US00D432951S

United States Patent [19]

[11] Patent Number: Des. 432,951

Pfeiffer et al.

[45] Date of Patent: ** Oct. 31, 2000

[54] SURFACE CONFIGURATION OF A VEHICLE AND/OR TOY

[75] Inventors: **Peter Pfeiffer**, Boeblingen; **Stephen Mattin**, Sindelfingen, both of Germany

[73] Assignee: **DaimlerChrysler AG**, Stuttgart, Germany

[**] Term: **14 Years**

[21] Appl. No.: **29/115,374**

[22] Filed: **Dec. 14, 1999**

[30] Foreign Application Priority Data

Jun. 14, 1999	[GB]	United Kingdom	2084134
Jun. 14, 1999	[GB]	United Kingdom	2084135

[51] LOC (7) Cl. **12-08**

[52] U.S. Cl. **D12/92; D12/86**

[58] Field of Search **D12/92, 90, 91, D12/86; 296/185**

[56] References Cited

U.S. PATENT DOCUMENTS

D. 396,020	7/1998	Hamblin	D12/92
D. 402,921	12/1998	Hamblin	D12/92
D. 419,488	1/2000	Sacco et al.	D12/92

Primary Examiner—Melody N. Brown

Attorney, Agent, or Firm—Evenson, McKeown, Edwards & Lenahan, P.L.L.C.

[57] CLAIM

The ornamental design for a surface configuration of a vehicle and/or toy, as shown and described.

DESCRIPTION

FIG. 1 is a front view of a first embodiment of a surface configuration of a vehicle and/or toy according to our novel design;

FIG. 2 is a left side view of the first embodiment of the surface configuration of a vehicle and/or toy according to our novel design;

FIG. 3 is a right side view of the first embodiment of the surface configuration of a vehicle and/or toy according to our novel design;

FIG. 4 is a left, front perspective view of the first embodiment of the surface configuration of a vehicle and/or toy according to our novel design;

FIG. 5 is a right, front perspective view of the first embodiment of the surface configuration of a vehicle and/or toy according to our novel design;

FIG. 6 is a right, rear perspective view of the first embodiment of the surface configuration of a vehicle and/or toy according to our novel design;

FIG. 7 is a left, rear perspective view of the first embodiment of the surface configuration of a vehicle and/or toy according to our novel design;

FIG. 8 is a rear view of the first embodiment of the surface configuration of a vehicle and/or toy according to our novel design;

FIG. 9 is a top view of the first embodiment of the surface configuration of a vehicle and/or toy according to our novel design;

FIG. 10 is a front view of a second embodiment of the surface configuration of a vehicle and/or toy according to our novel design;

FIG. 11 is a left side view of the second embodiment of the surface configuration of a vehicle and/or toy according to our novel design;

FIG. 12 is a right side view of the second embodiment of the surface configuration of a vehicle and/or toy according to our novel design;

FIG. 13 is a left, front perspective view of the second embodiment of the surface configuration of a vehicle and/or toy according to our novel design;

FIG. 14 is a right, front perspective view of the second embodiment of the surface configuration of a vehicle and/or toy according to our novel design;

FIG. 15 is a right, rear perspective view of the second embodiment of the surface configuration of a vehicle and/or toy according to our novel design;

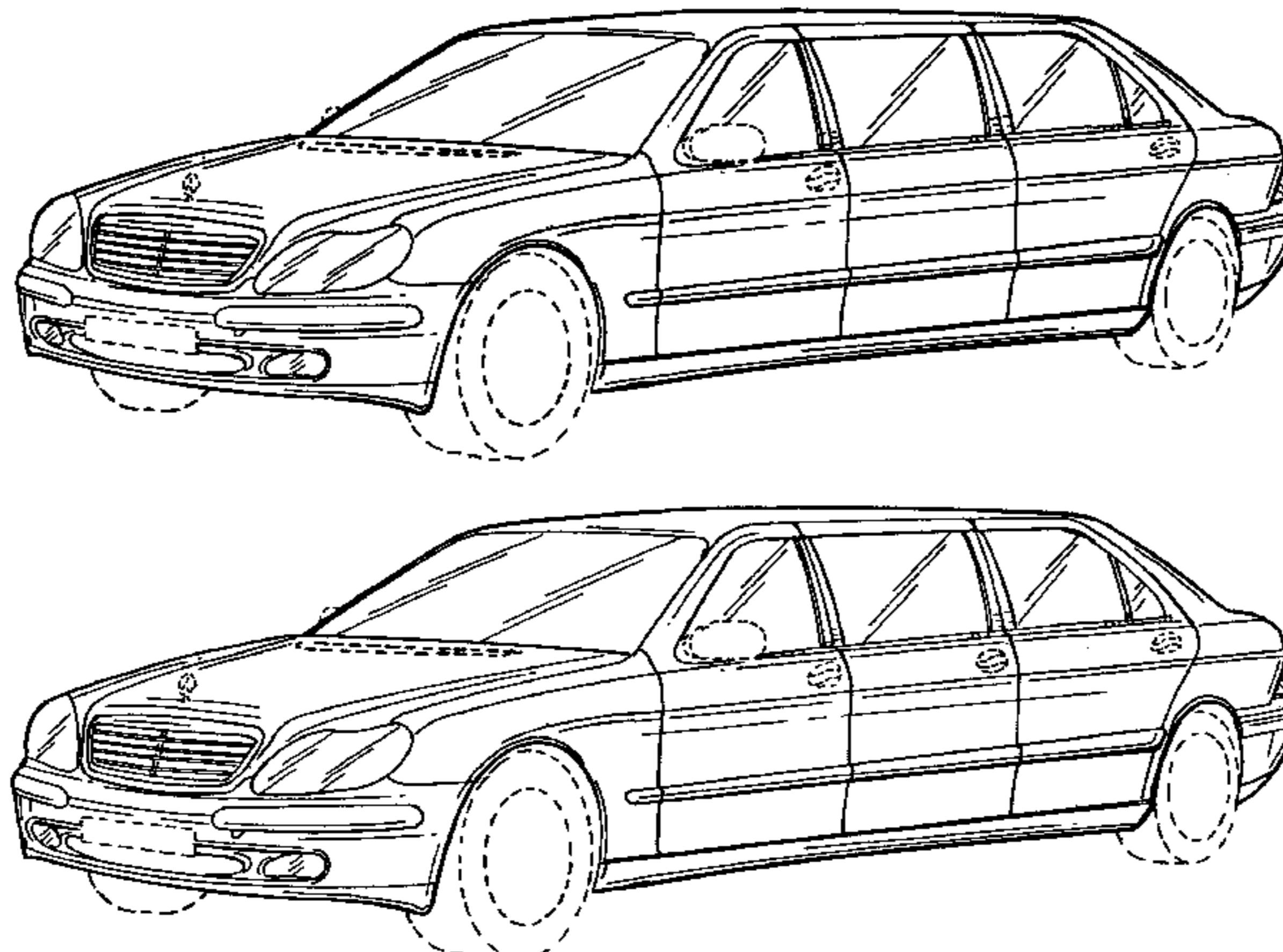
FIG. 16 is a left, rear perspective view of the second embodiment of the surface configuration of a vehicle and/or toy according to our novel design;

FIG. 17 is a rear view of the second embodiment of the surface configuration of a vehicle and/or toy according to our novel design; and,

FIG. 18 is a top view of the second embodiment of the surface configuration of a vehicle and/or toy according to our novel design.

The broken lines included depict environment and are not part of the claimed design.

1 Claim, 10 Drawing Sheets



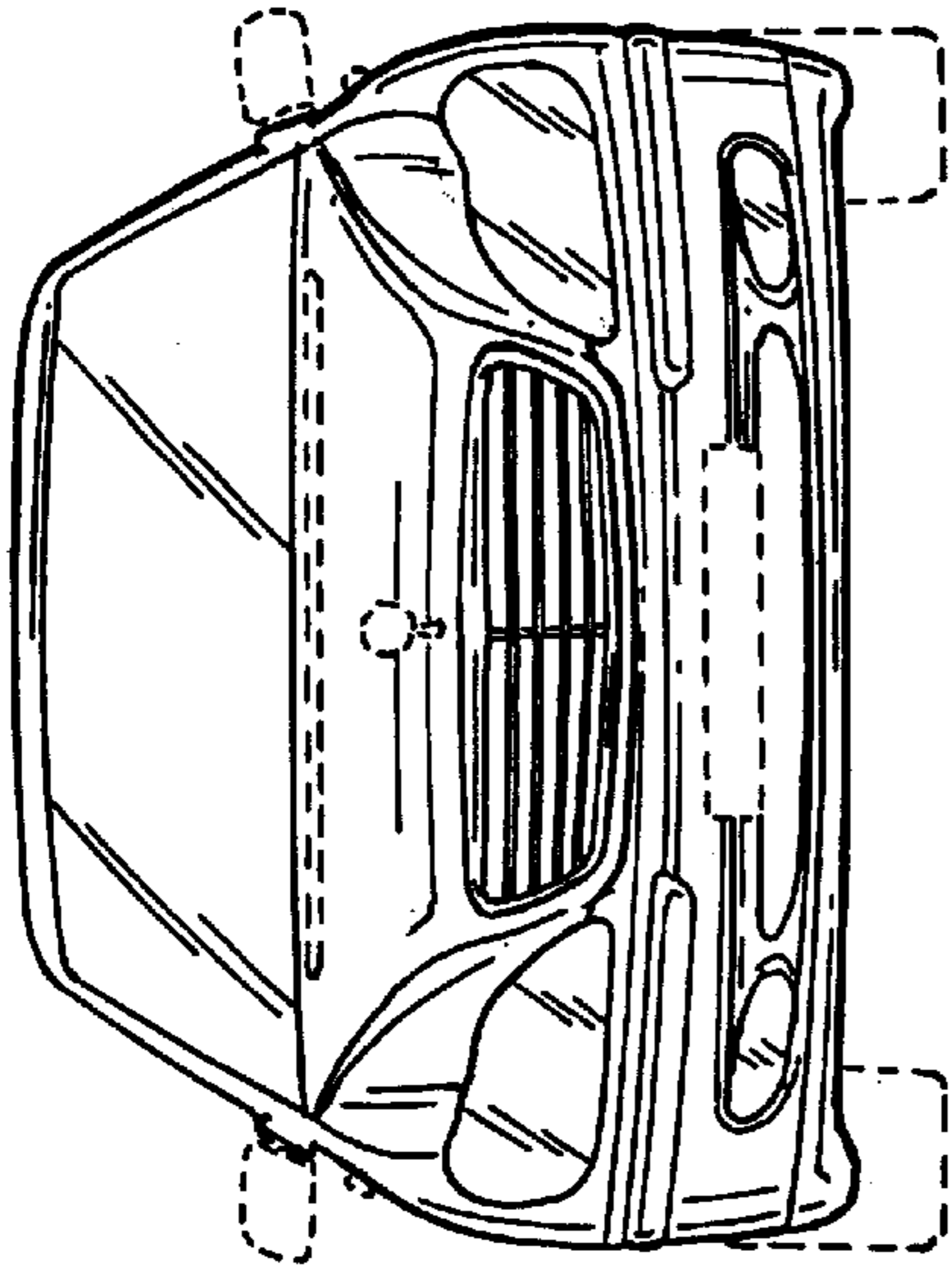


FIG. 1

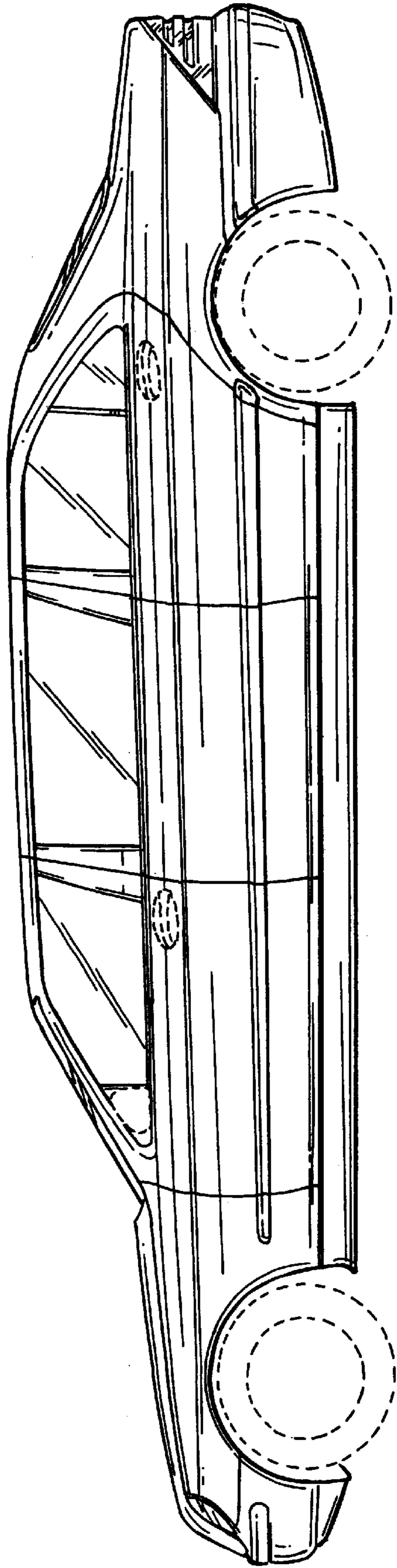


FIG. 2

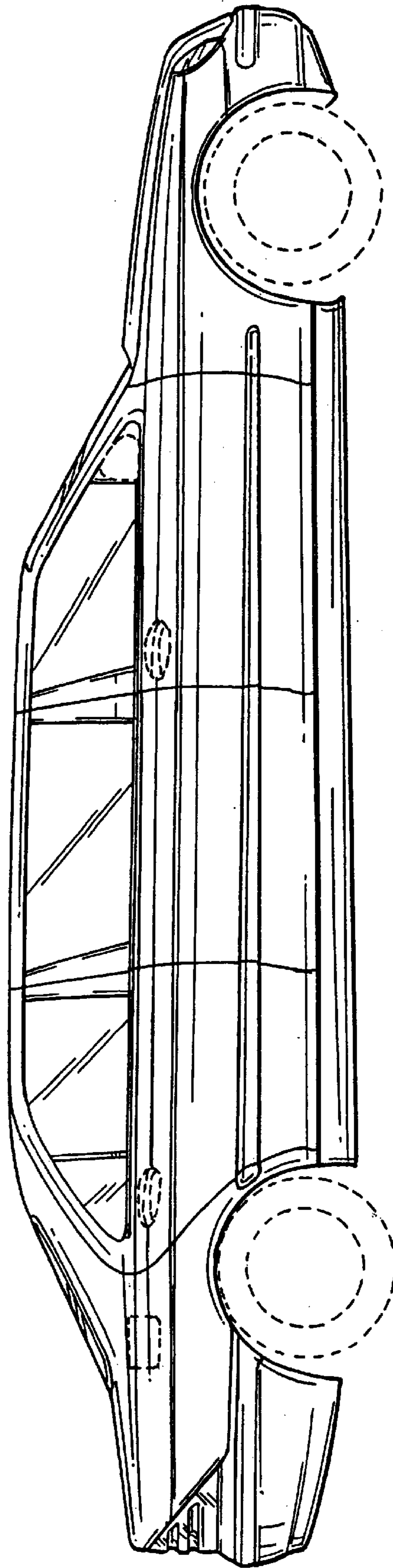


FIG. 3

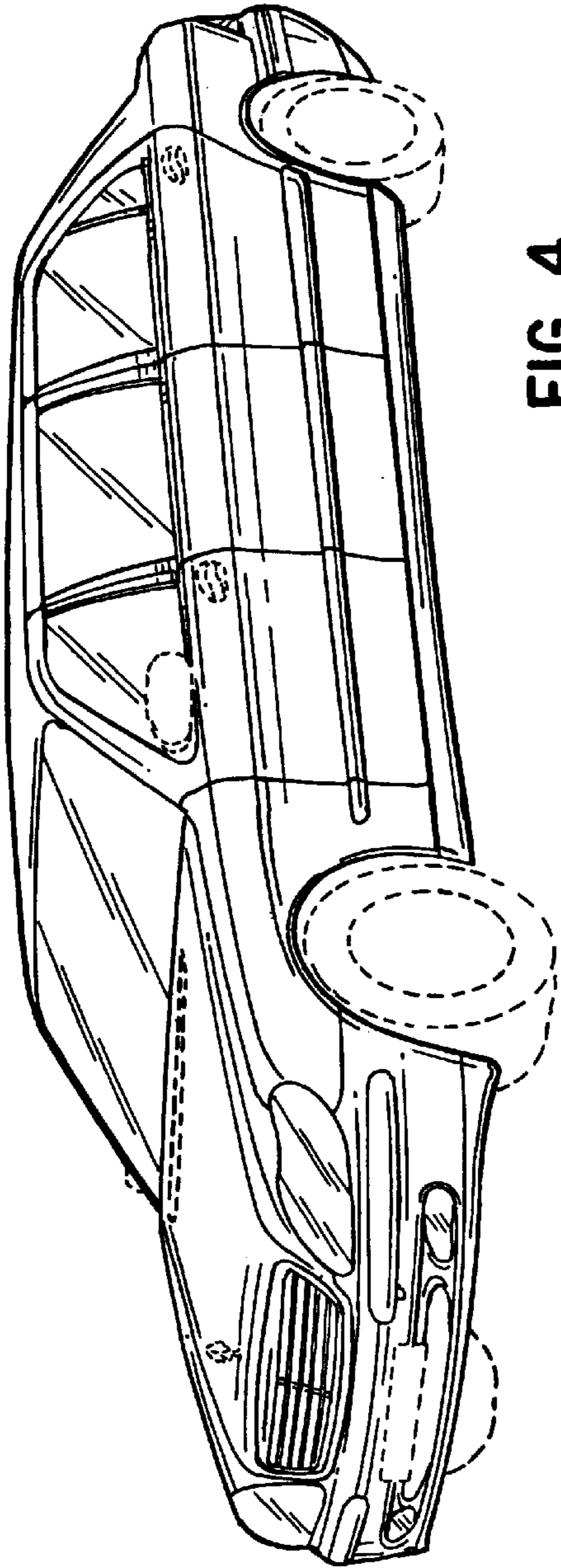


FIG. 4

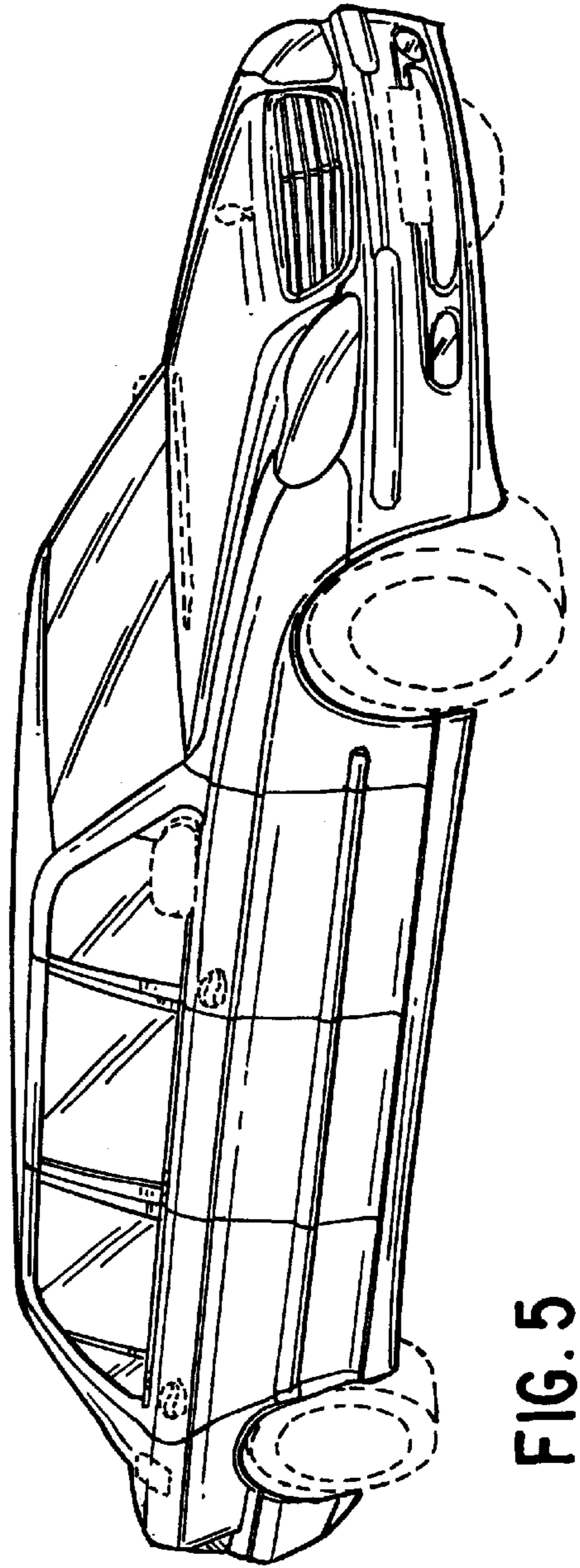


FIG. 5

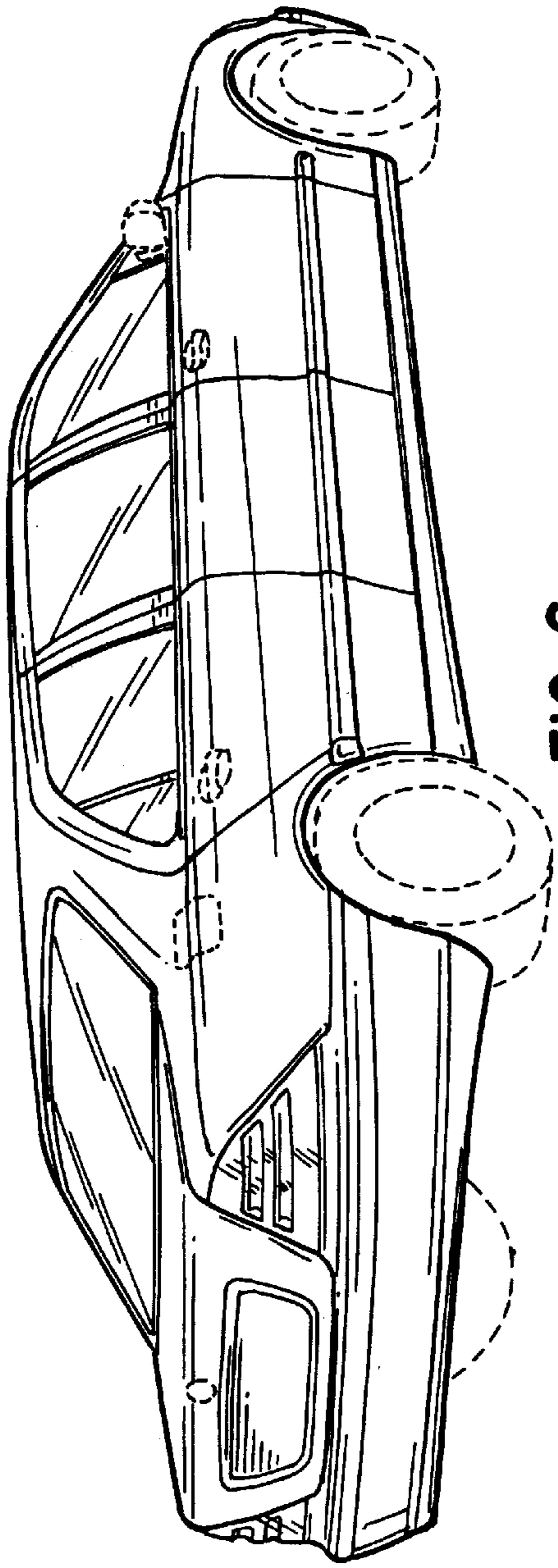


FIG. 6

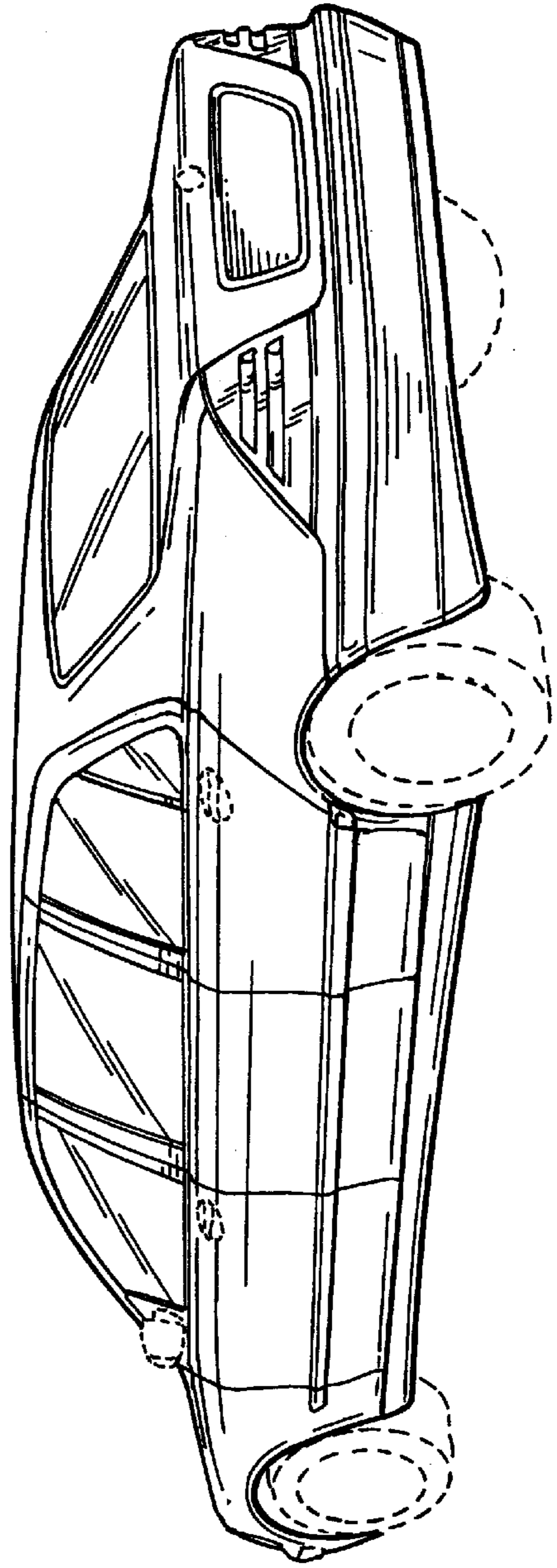


FIG. 7

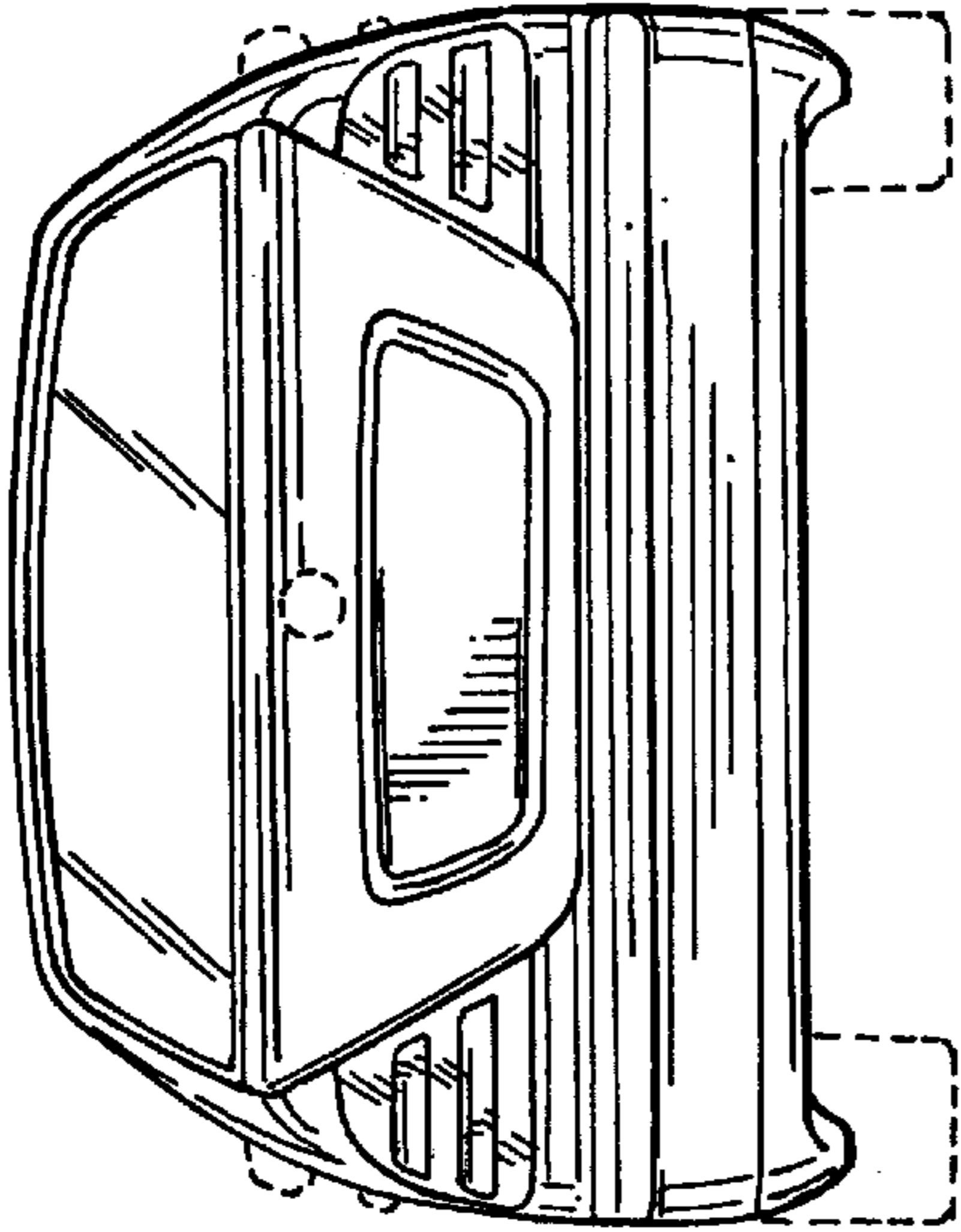


FIG. 8

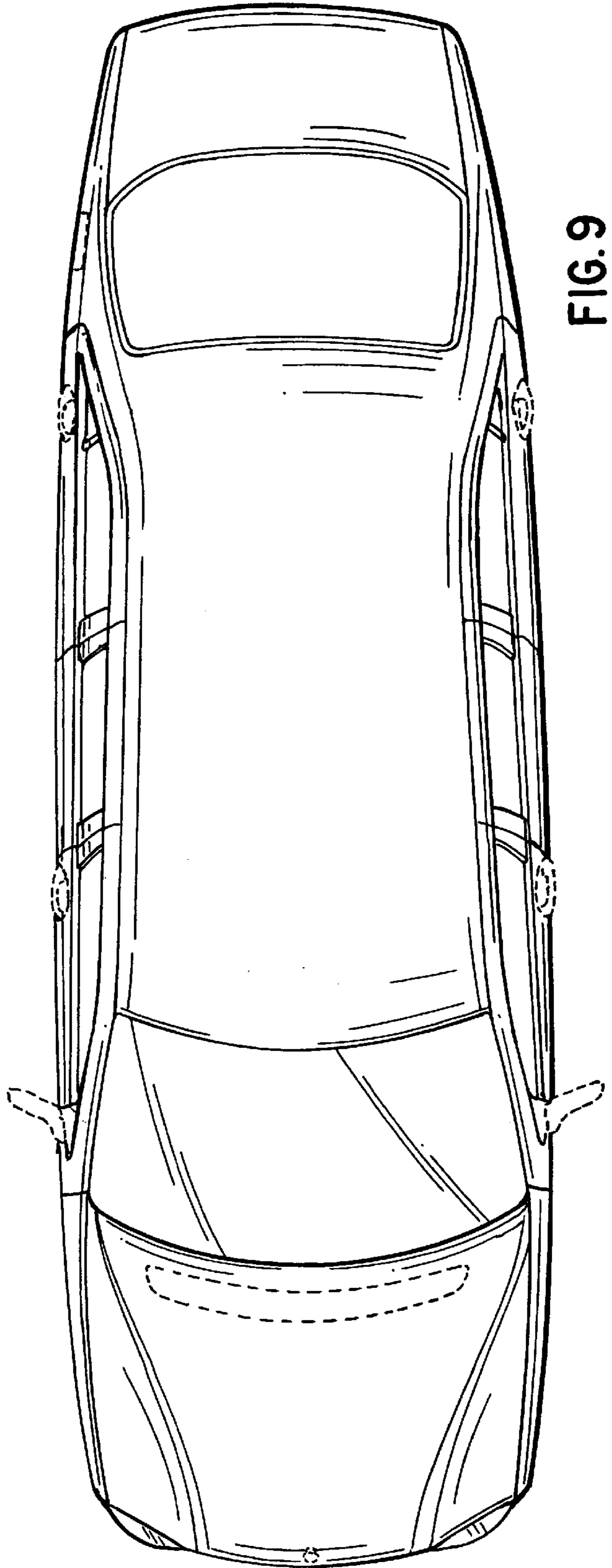


FIG. 9

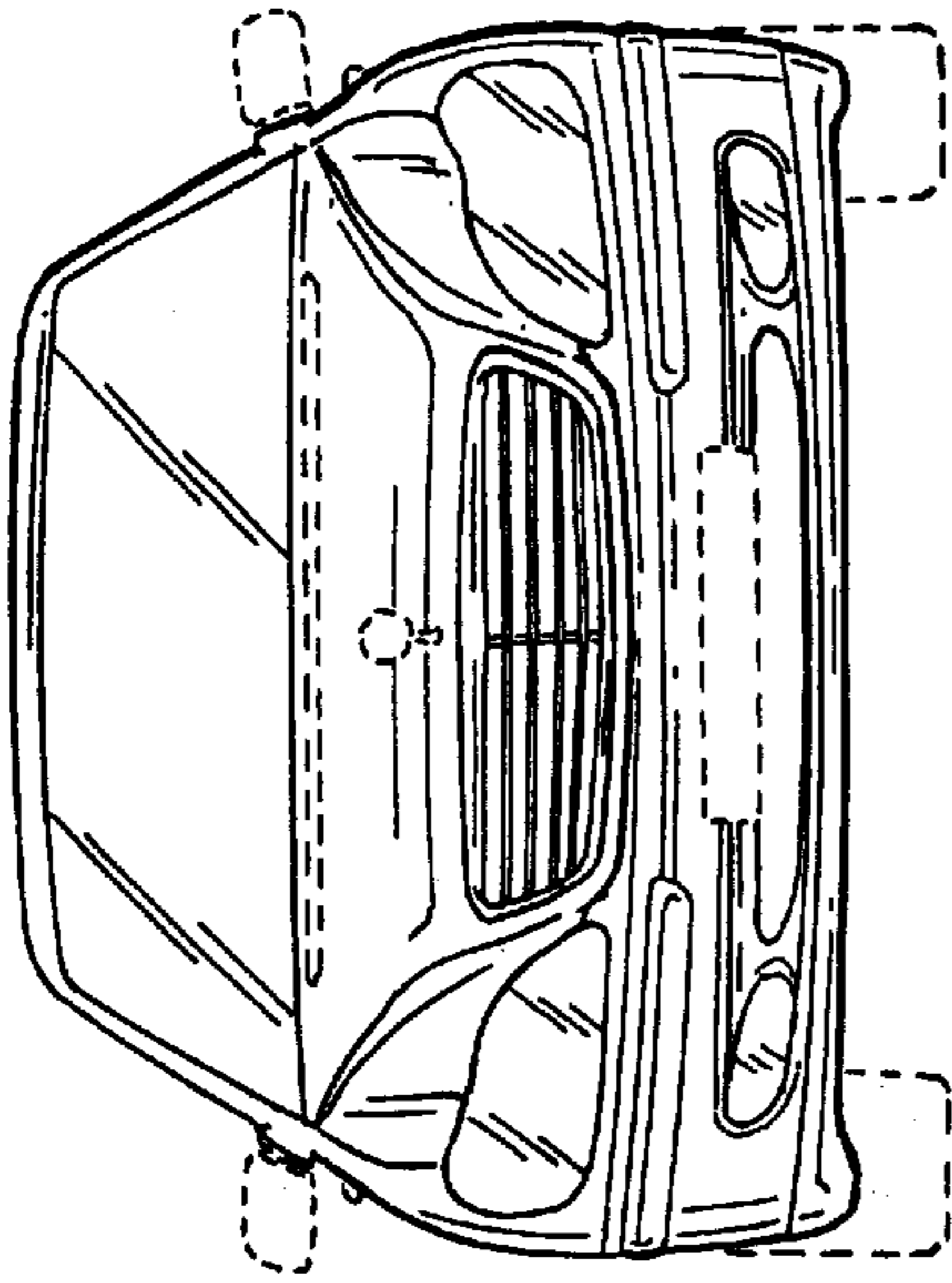


FIG. 10

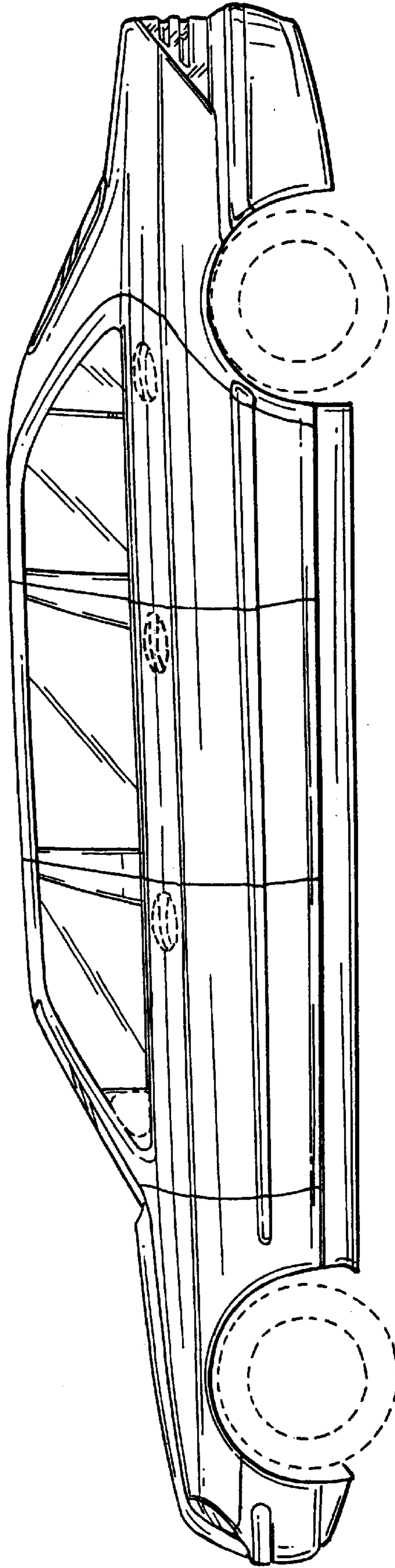


FIG. 11

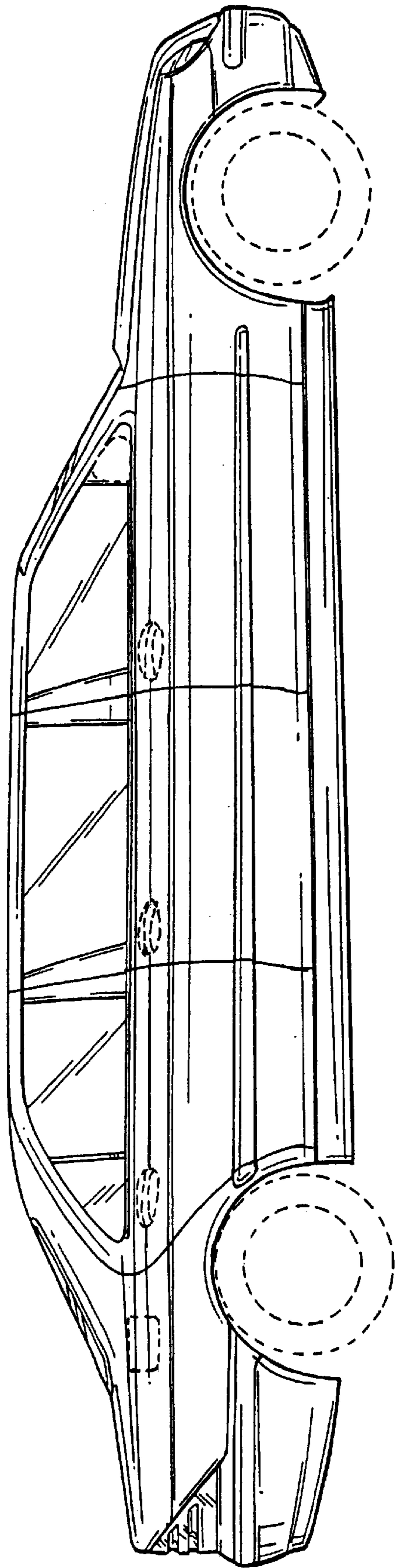


FIG. 12

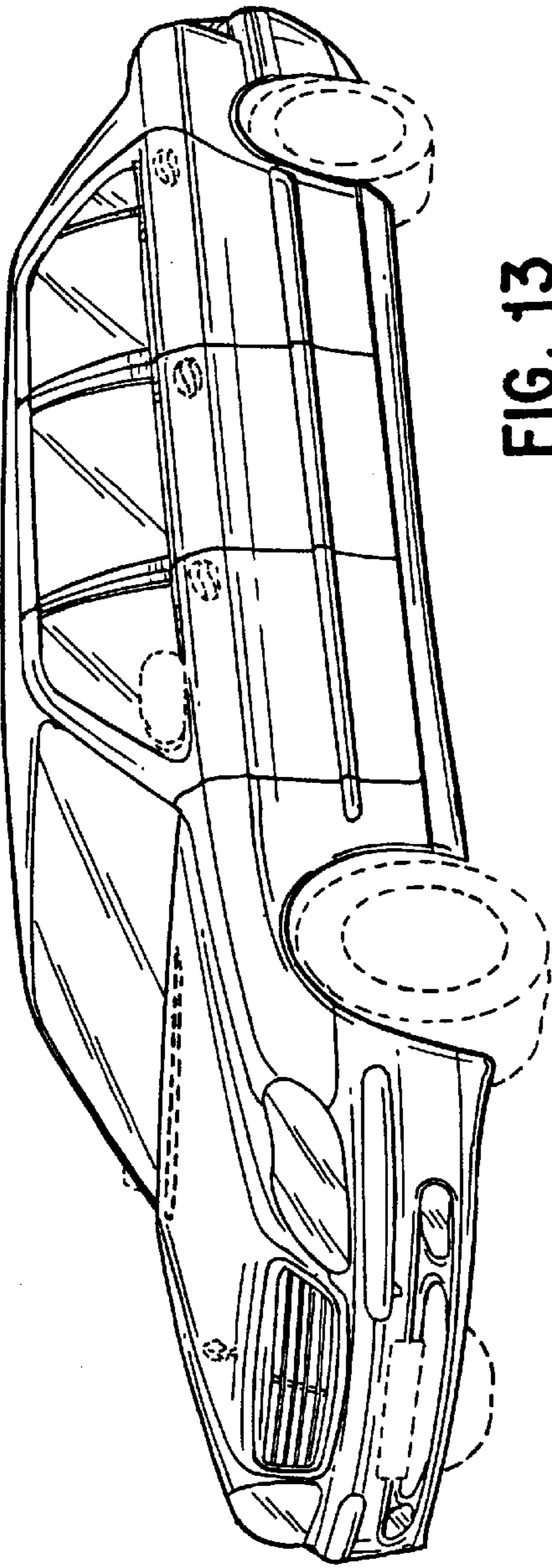


FIG. 13

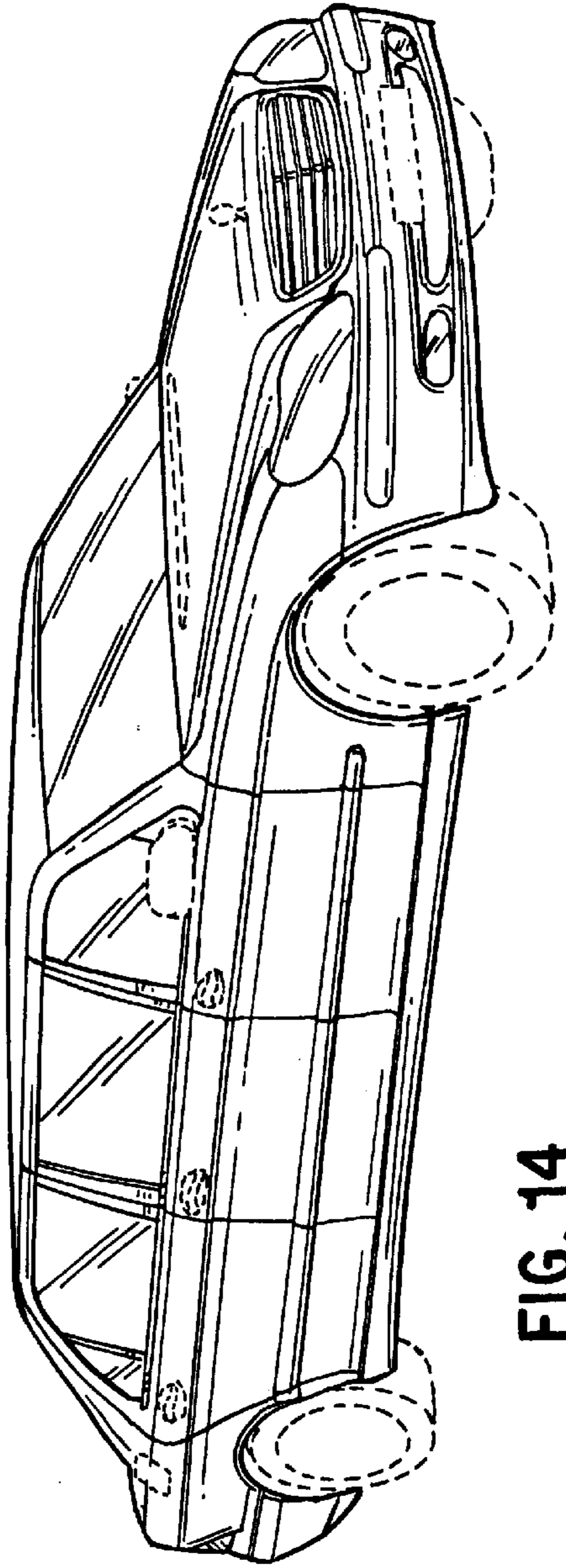


FIG. 14

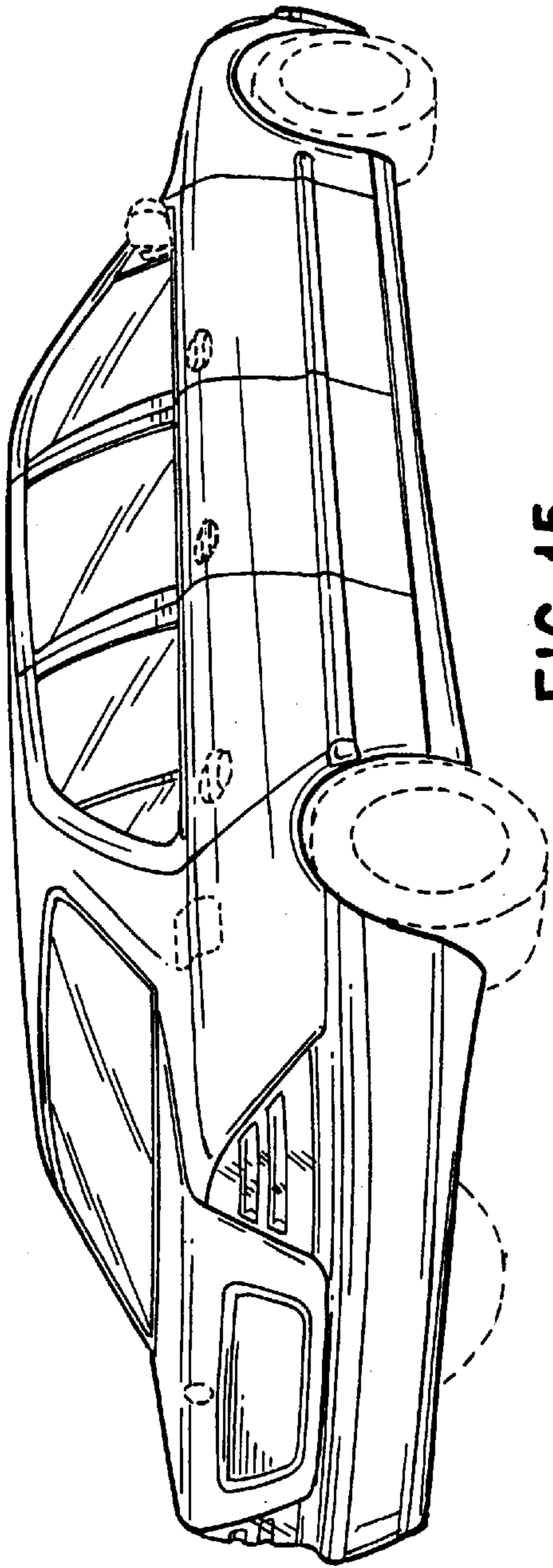


FIG. 15

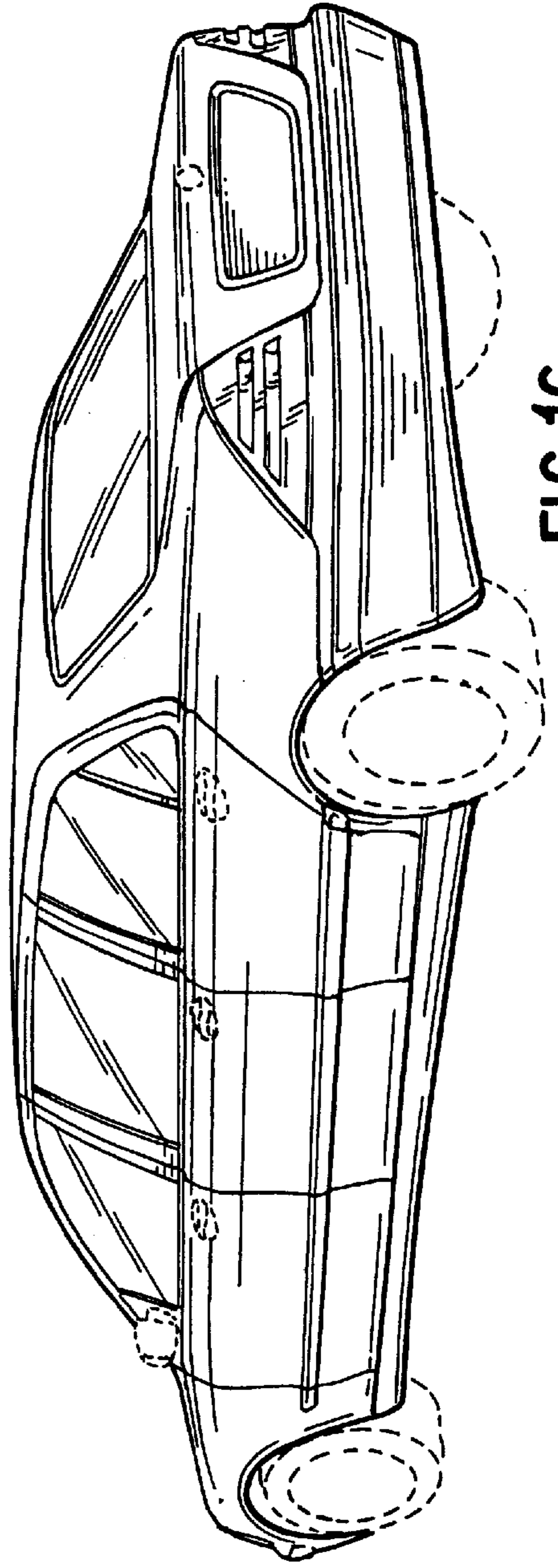


FIG. 16

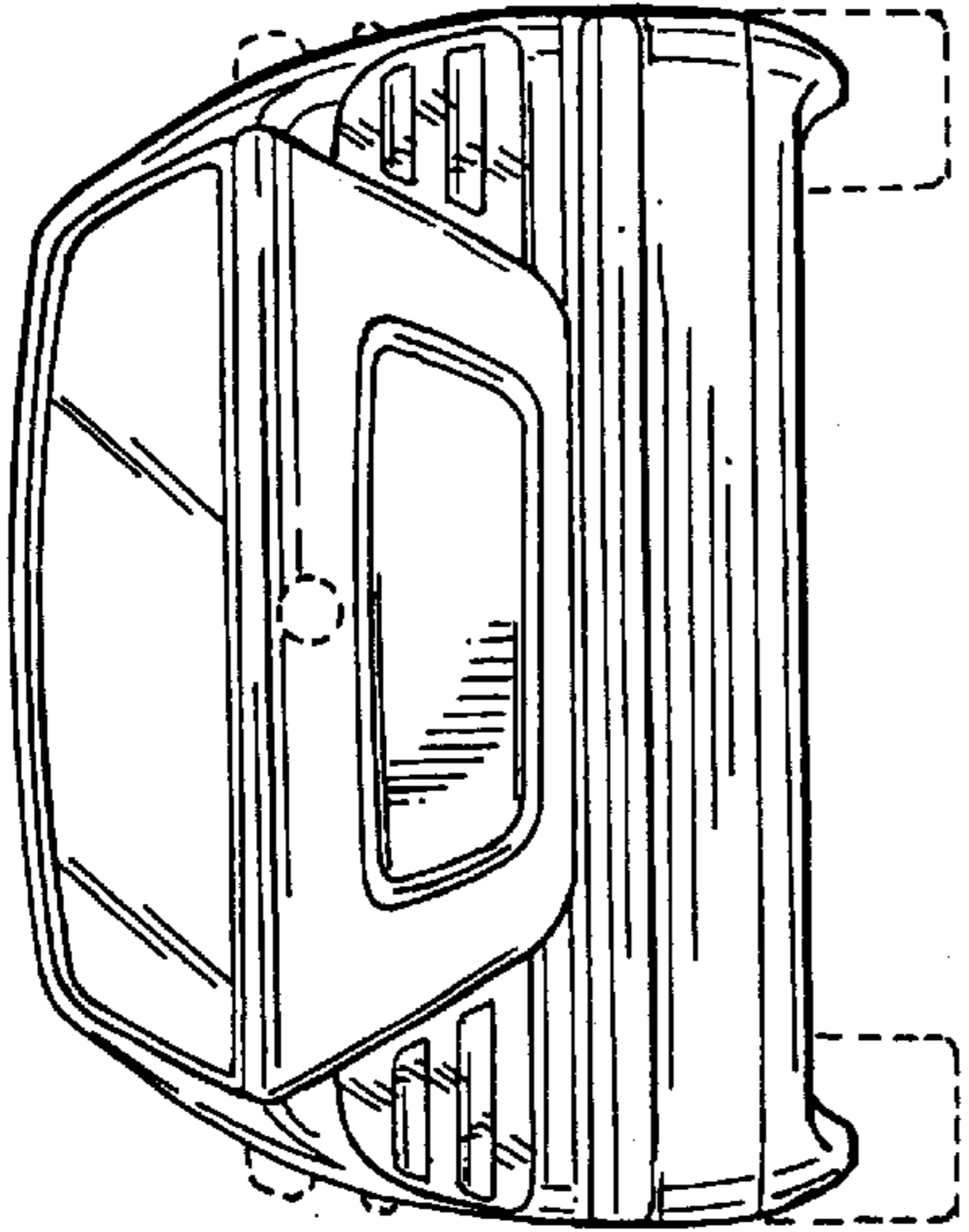


FIG. 17

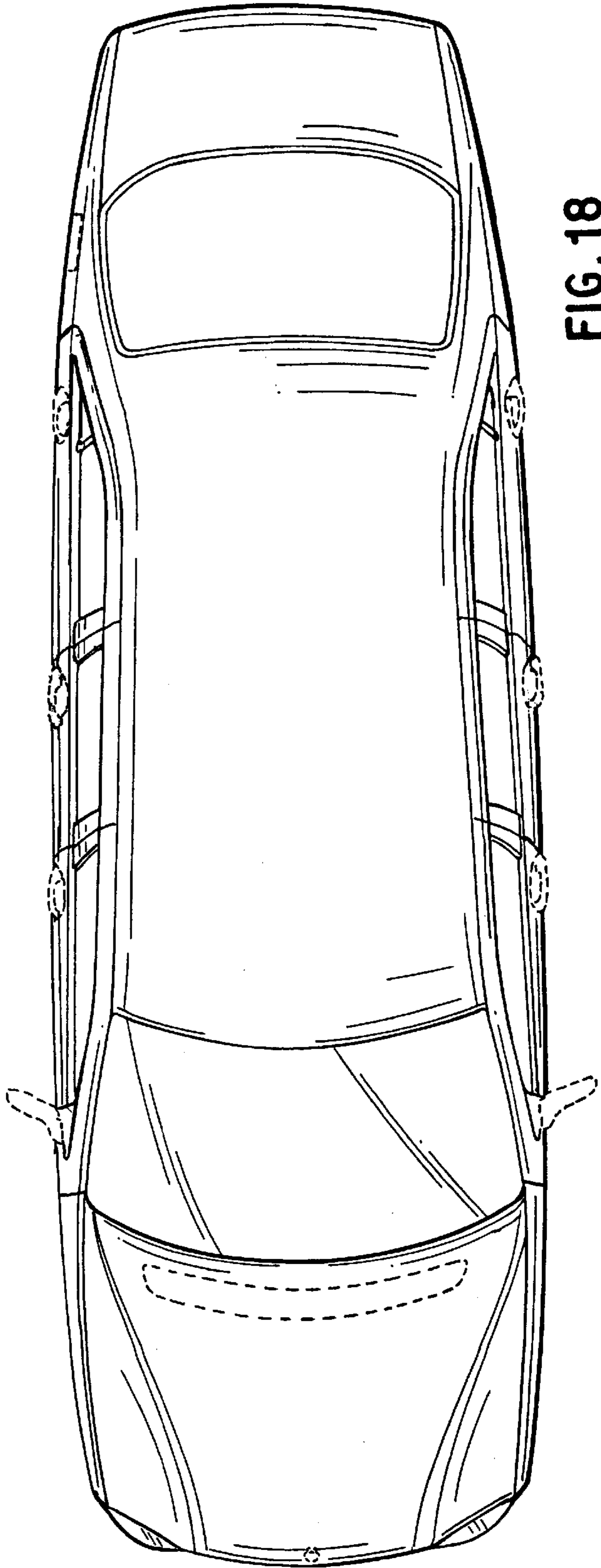


FIG. 18