



US00D432950S

United States Patent [19] Sugita

[11] **Patent Number: Des. 432,950**

[45] **Date of Patent: ** Oct. 31, 2000**

[54] **PASSENGER CAR**

D. 422,533 4/2000 Uematsu et al. D12/91
D. 424,980 5/2000 Hunter et al. D12/91

[75] Inventor: **Akihiro Sugita**, Fujisawa, Japan

[73] Assignee: **Isuzu Motors Limited**, Tokyo, Japan

[**] Term: **14 Years**

Primary Examiner—Melody N. Brown
Attorney, Agent, or Firm—Frishauf, Holtz, Goodman,
Langer & Chick, P.C.

[21] Appl. No.: **29/112,418**

[22] Filed: **Dec. 15, 1999**

[57] **CLAIM**

The ornamental design for a passenger car, as shown and described.

[30] **Foreign Application Priority Data**

Apr. 28, 1999 [JP] Japan 11-11365

DESCRIPTION

[51] **LOC (7) Cl.** **12-08**

[52] **U.S. Cl.** **D12/91**

[58] **Field of Search** D12/90-92; 296/185

FIG. 1 is a front view of a passenger car showing my new design, the rear view being a mirror image;

FIG. 2 is a top plan view thereof;

FIG. 3 is a left side view thereof;

FIG. 4 is a right side view thereof;

FIG. 5 is a front, top and left side perspective view thereof; and,

FIG. 6 is a front, top and right side perspective view thereof.

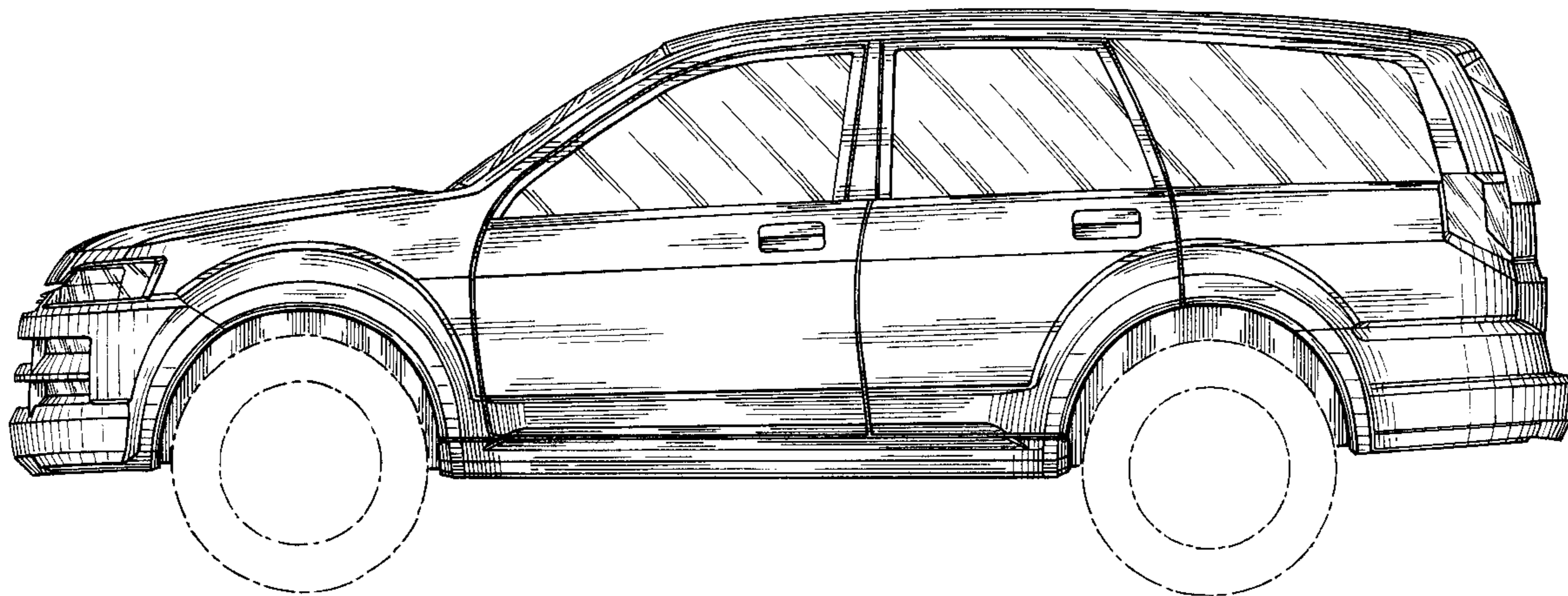
[56] **References Cited**

U.S. PATENT DOCUMENTS

D. 420,939 2/2000 Faurote et al. D12/91

D. 422,532 4/2000 Uematsu et al. D12/91

1 Claim, 5 Drawing Sheets



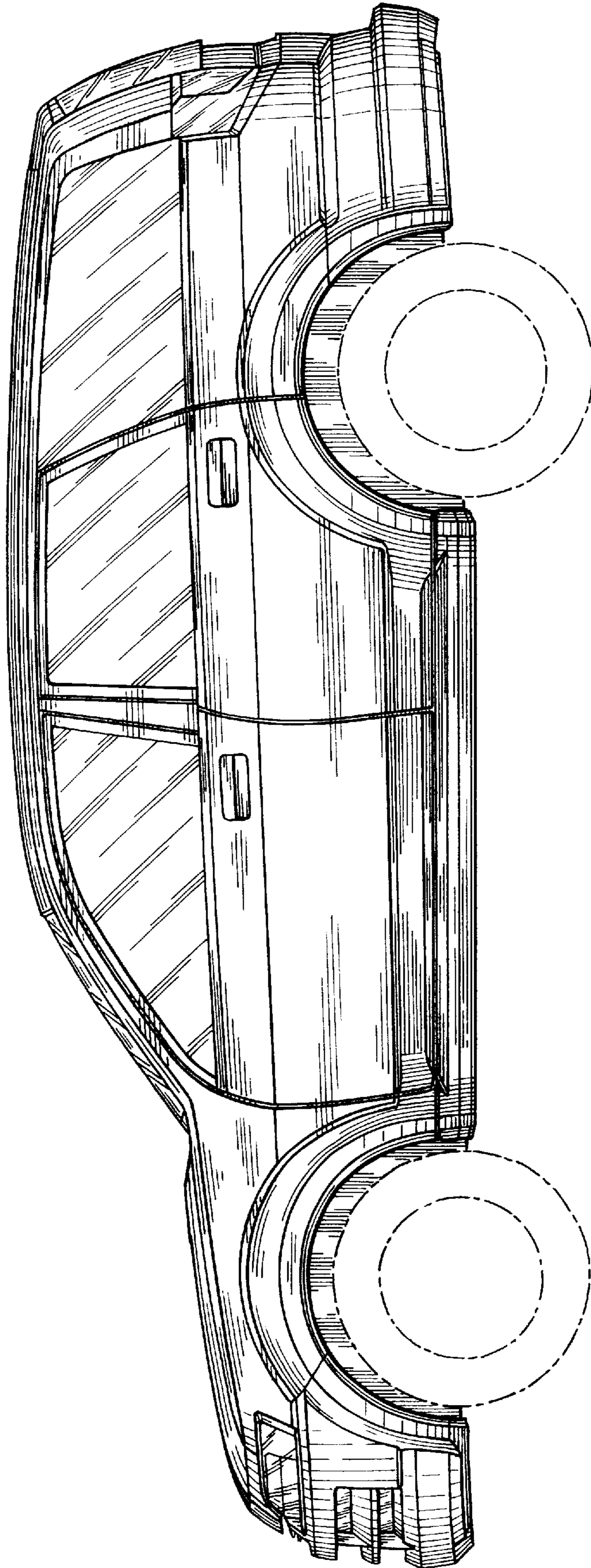


Fig. 1

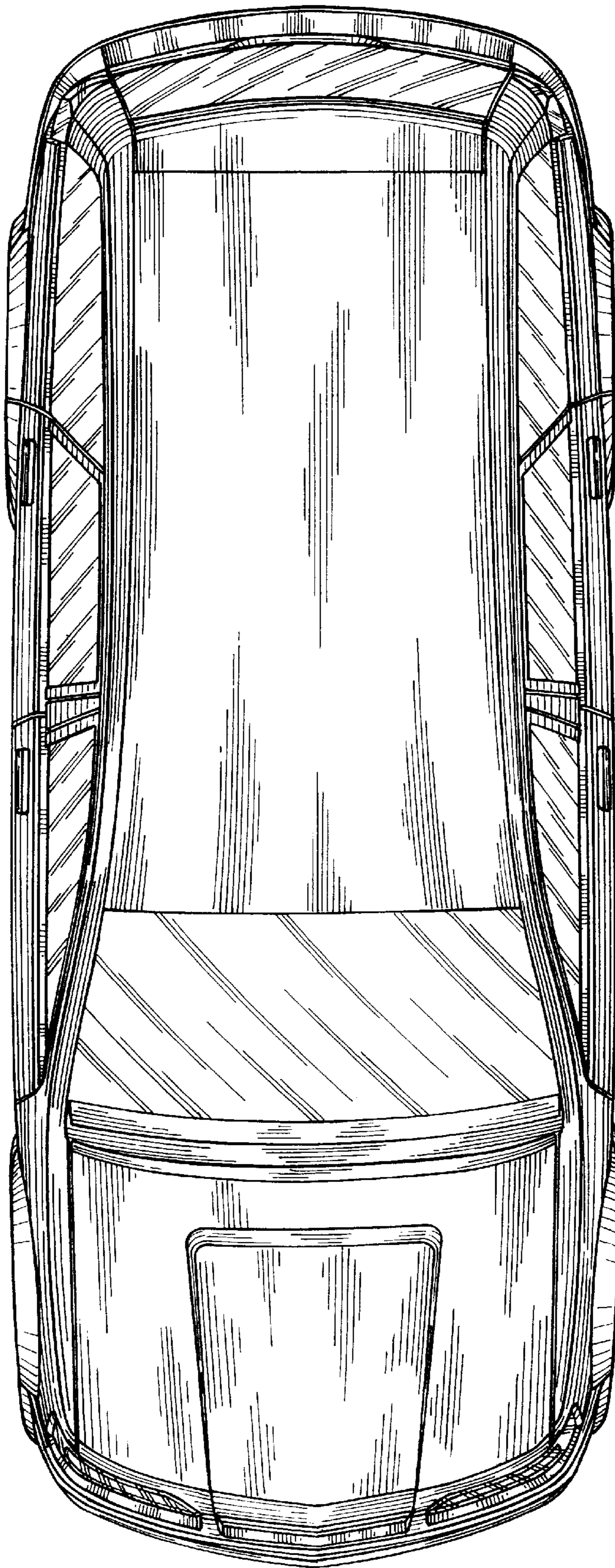


Fig. 2

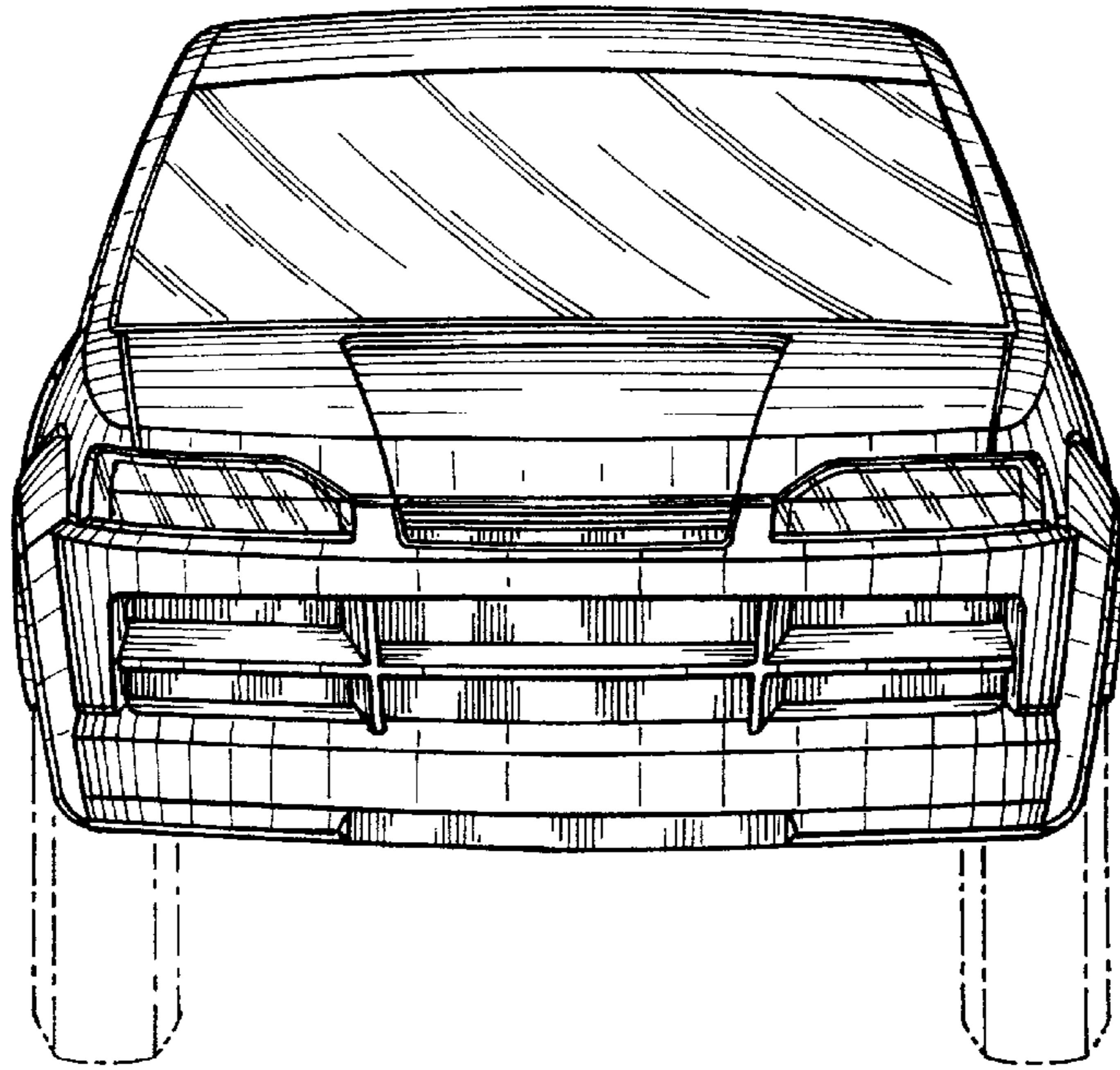


Fig. 3

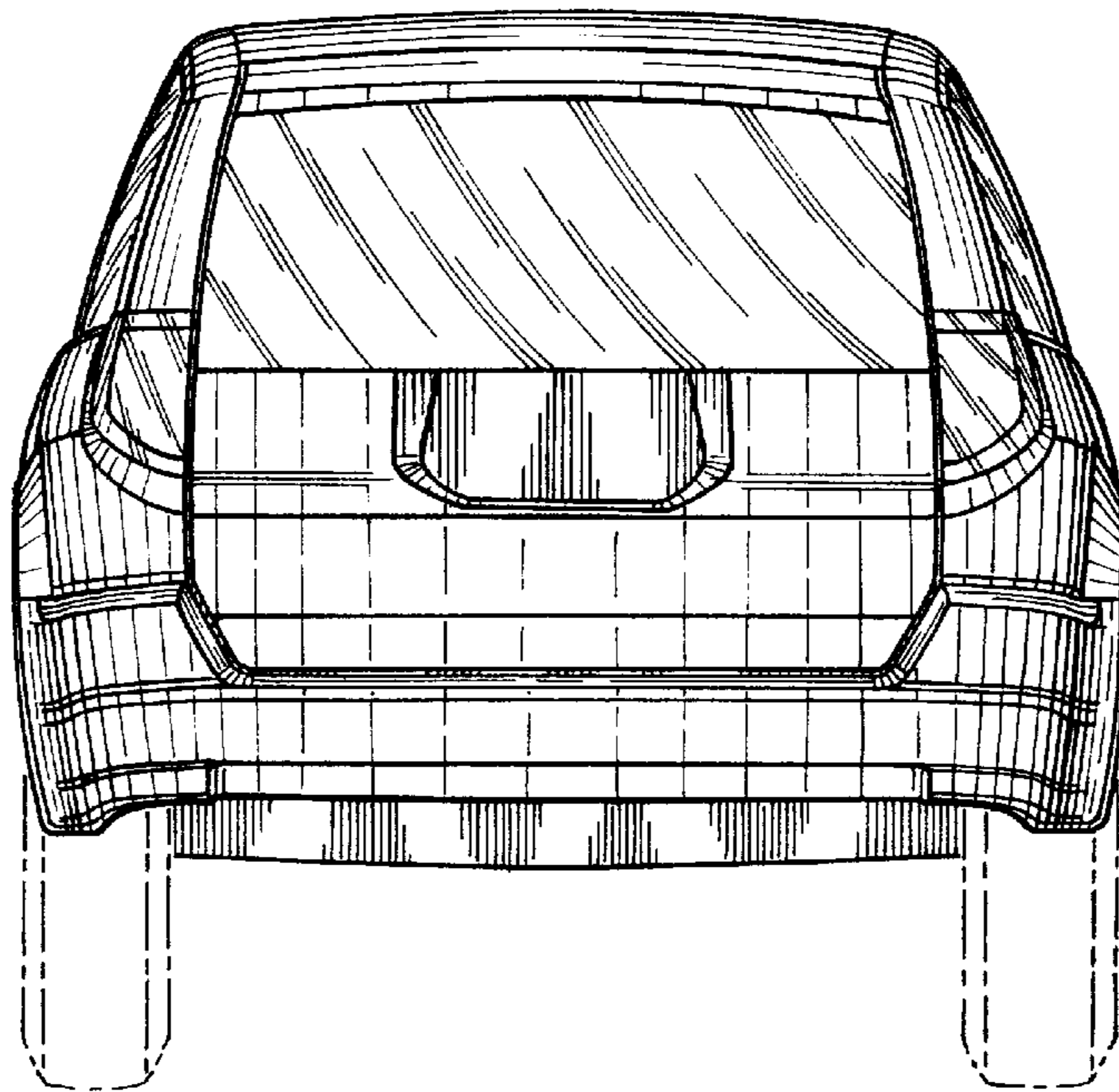


Fig. 4

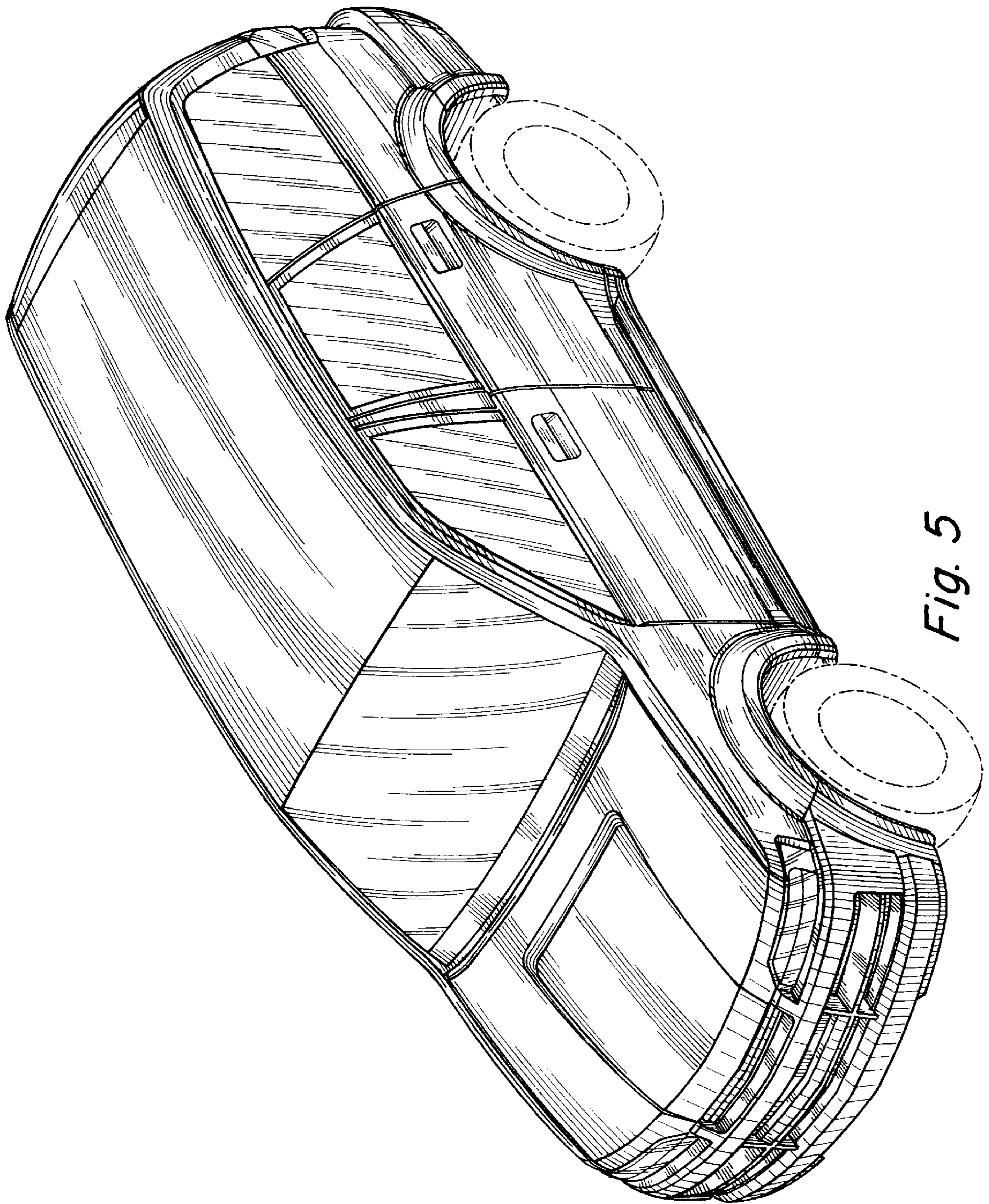


Fig. 5

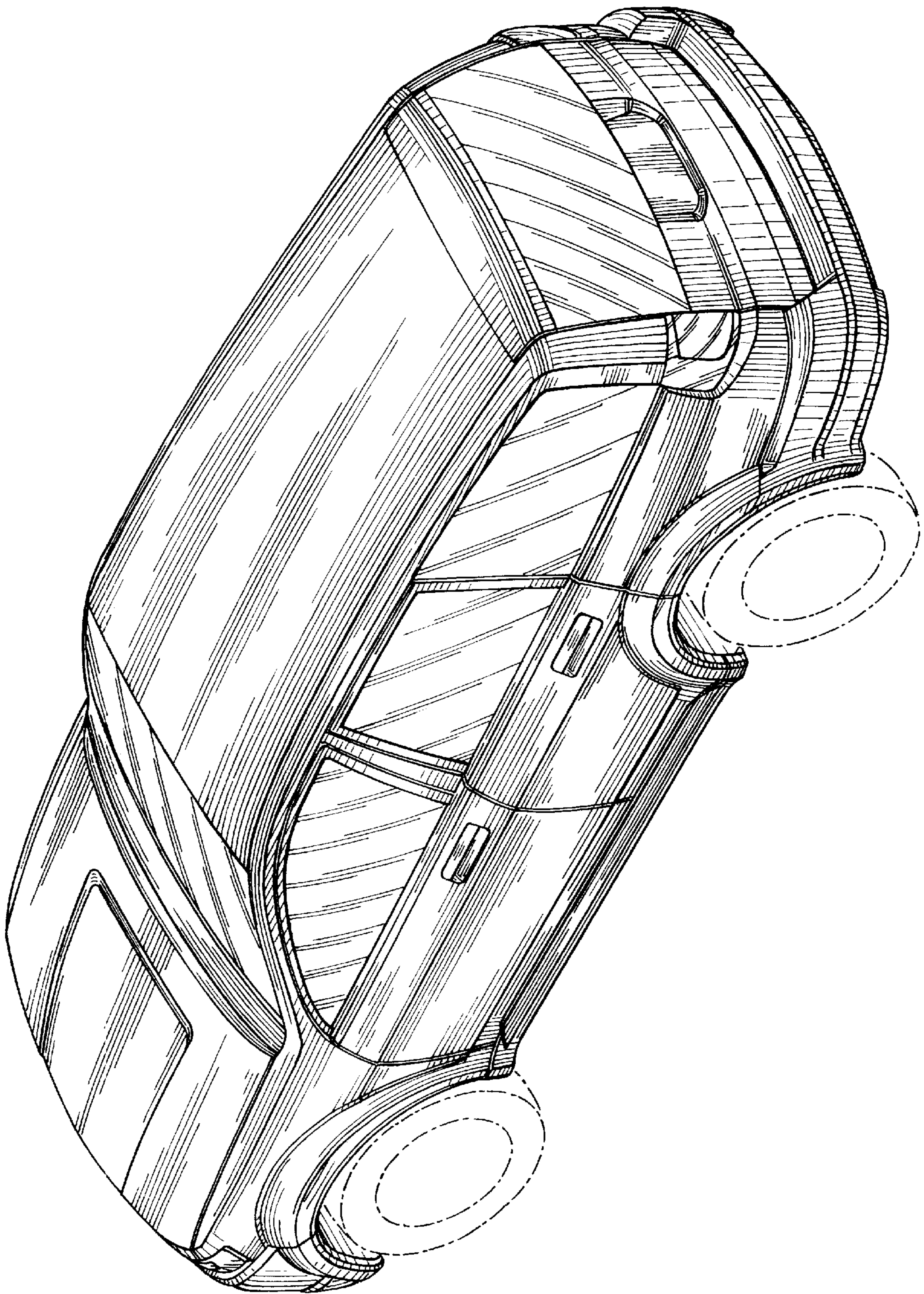


Fig. 6

UNITED STATES PATENT AND TRADEMARK OFFICE
CERTIFICATE OF CORRECTION

PATENT NO. : Des. 432,950
DATED : October 31, 2000
INVENTOR(S) : Akihiro SUGITA

It is certified that error appears in the above-identified patent and that said Letters Patent is hereby corrected as shown below: On the title page:

Item [22] Filed, change "Dec. 15, 1999"
to --Oct. 14, 1999--.

Signed and Sealed this
Fifteenth Day of May, 2001

Attest:



NICHOLAS P. GODICI

Attesting Officer

Acting Director of the United States Patent and Trademark Office