



US00D432949S

United States Patent [19]
Pfeiffer

[11] **Patent Number: Des. 432,949**

[45] **Date of Patent: ** Oct. 31, 2000**

[54] **SURFACE CONFIGURATION OF A VEHICLE BODY**

[75] Inventor: **Peter Pfeiffer**, Boeblingen, Germany

[73] Assignee: **DaimlerChrysler AG**, Germany

[**] Term: **14 Years**

[21] Appl. No.: **29/111,146**

[22] Filed: **Sep. 23, 1999**

[30] **Foreign Application Priority Data**

Mar. 23, 1999 [DE] Germany 4 99 03 055

[51] **LOC (7) Cl.** **12-08**

[52] **U.S. Cl.** **D12/91**

[58] **Field of Search** D12/90-92; 296/185

[56] **References Cited**

U.S. PATENT DOCUMENTS

D. 392,220	3/1998	Hausman	D12/91
D. 396,432	7/1998	Syring	D12/91
D. 407,349	3/1999	Murakami et al.	D12/91
D. 419,109	1/2000	Gabath	D12/91

Primary Examiner—Melody N. Brown
Attorney, Agent, or Firm—Evenson, McKeown, Edwards & Lenahan, P.L.L.C.

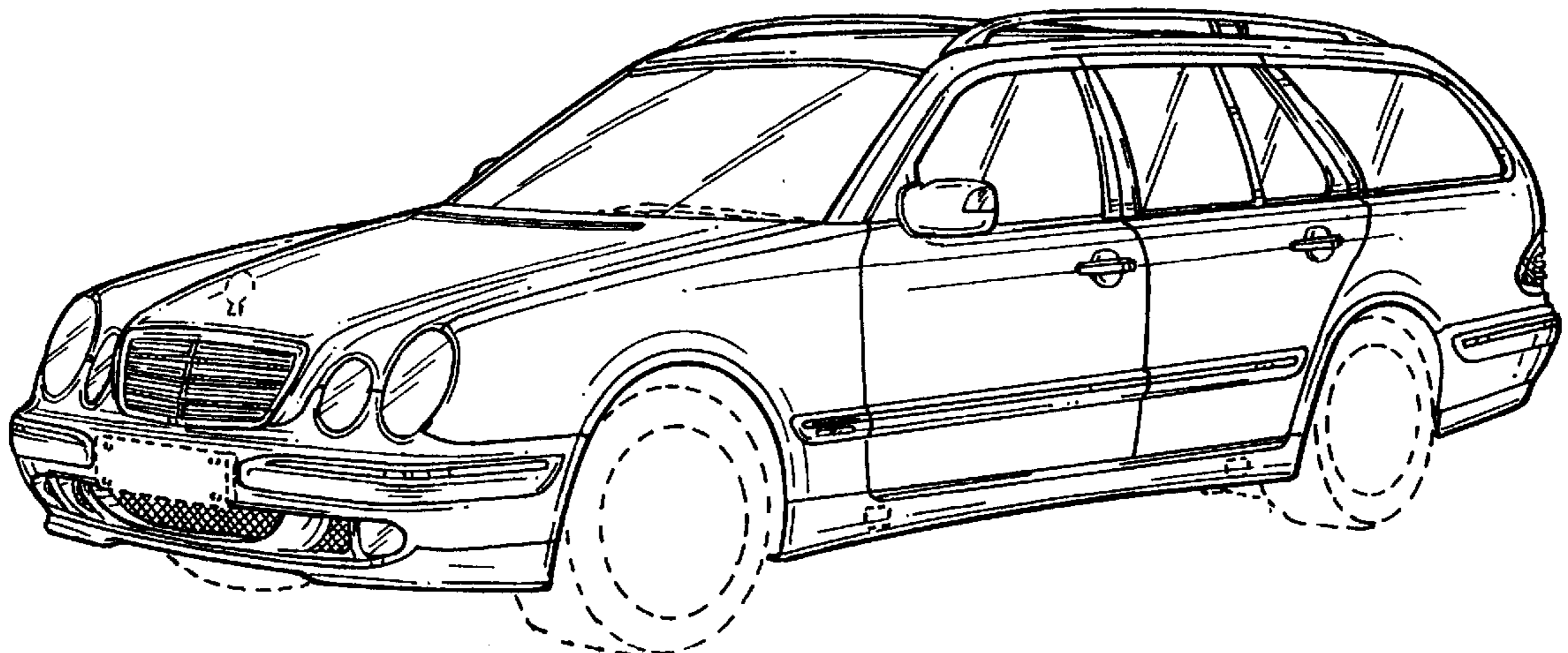
[57] **CLAIM**

The ornamental design for a surface configuration of a vehicle body, as shown and described.

DESCRIPTION

FIG. 1 is a front perspective view of a surface configuration of a vehicle body according to my novel design; FIG. 2 is a rear perspective view of the surface configuration of a vehicle body according to my novel design; FIG. 3 is a front view of the surface configuration of a vehicle body according to my novel design; FIG. 4 is a rear view of the surface configuration of a vehicle body according to my novel design; FIG. 5 is a left side view of the surface configuration of a vehicle body according to my novel design; and, FIG. 6 is a right side view of the surface configuration of a vehicle body according to my novel design. The broken lines included depict environment and are not part of the claimed design.

1 Claim, 4 Drawing Sheets



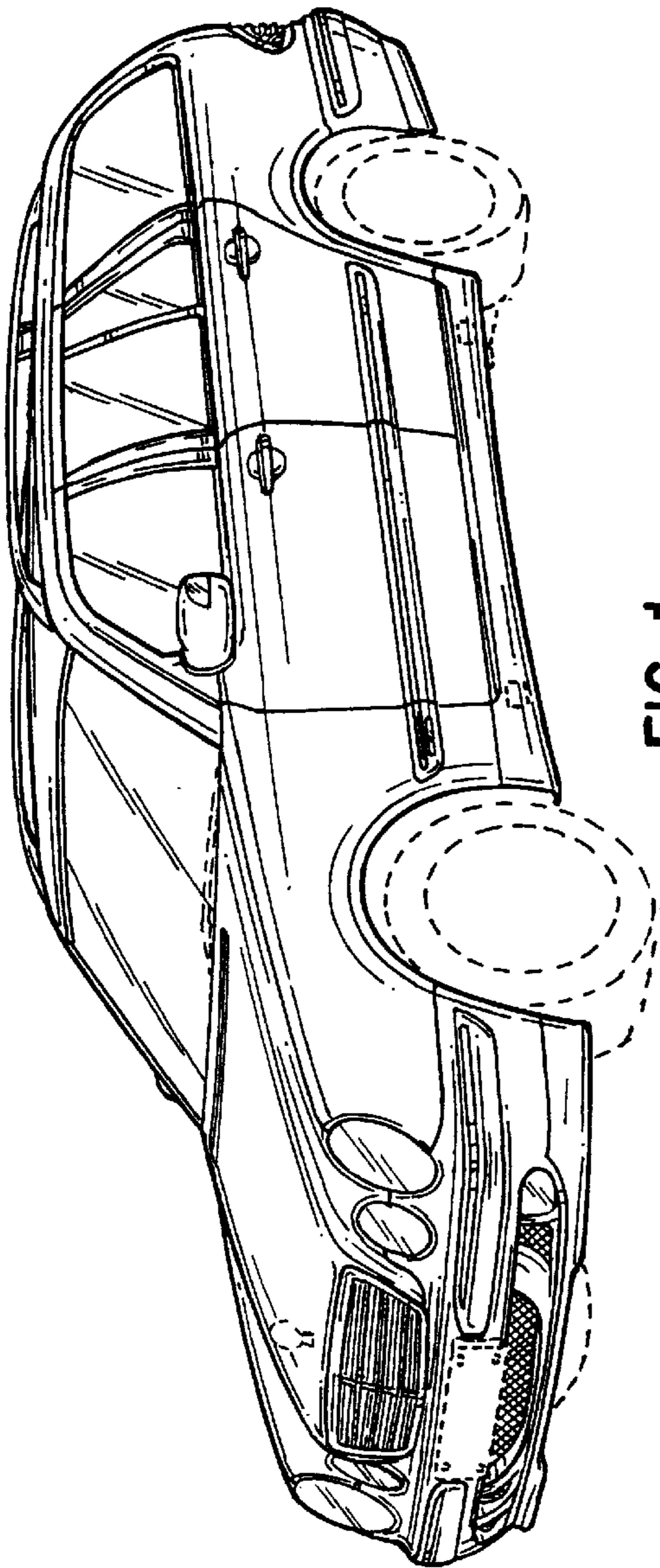


FIG. 1

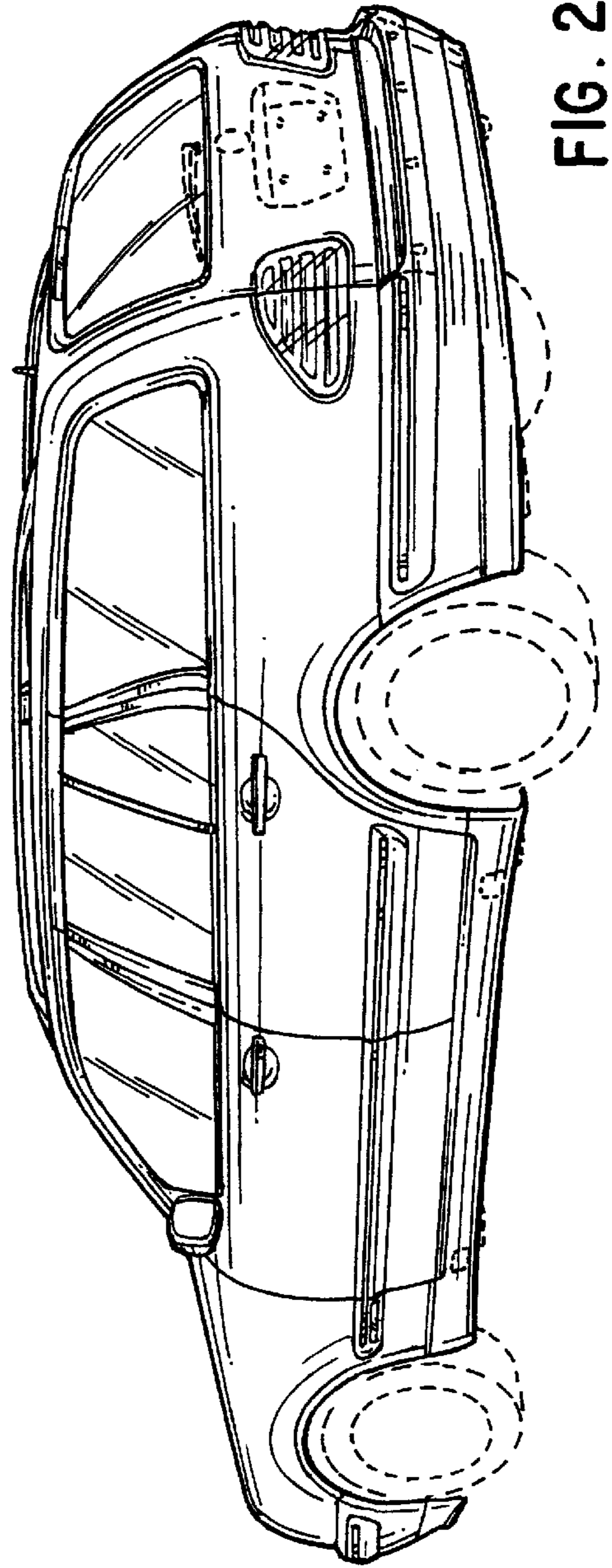


FIG. 2

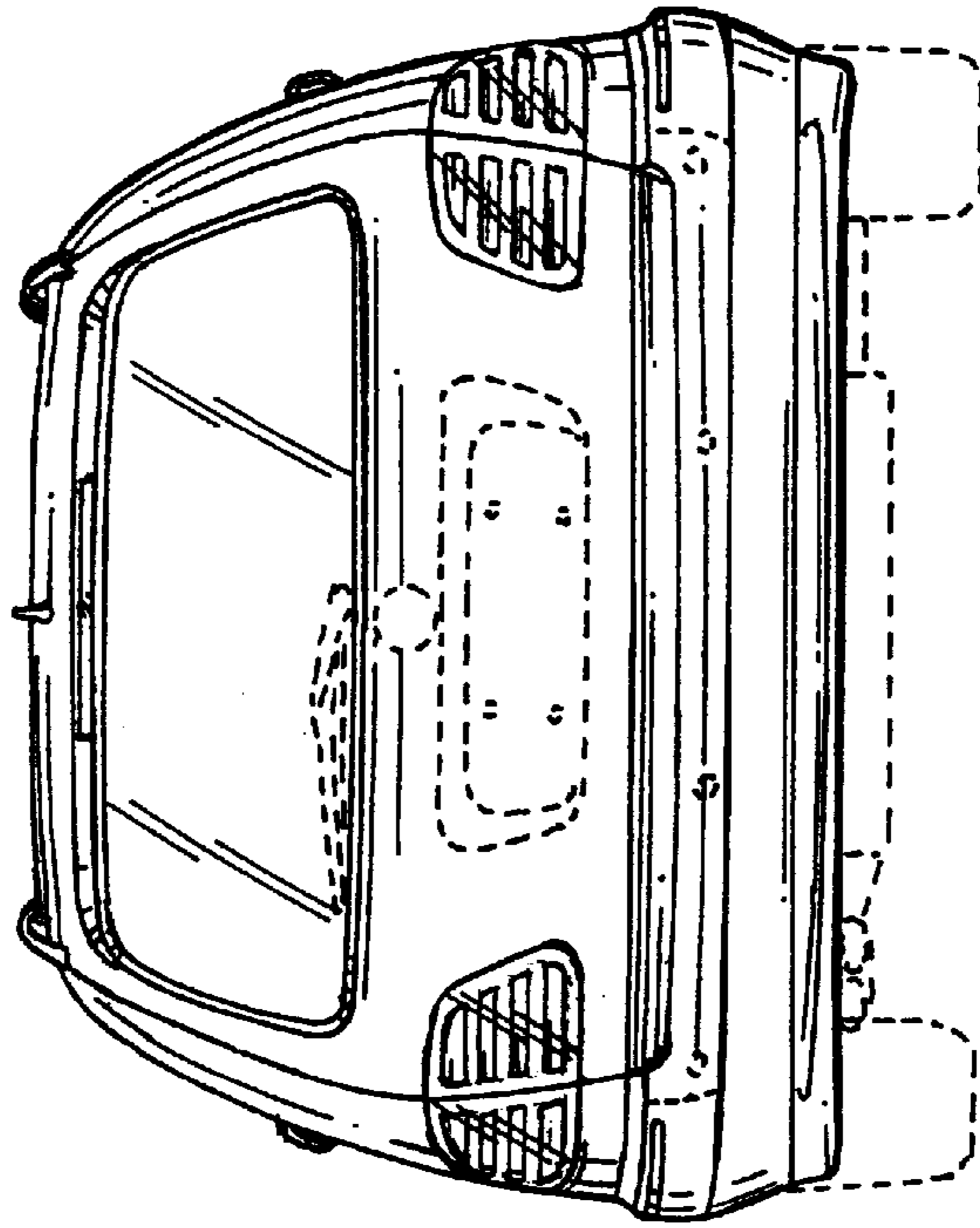


FIG. 4

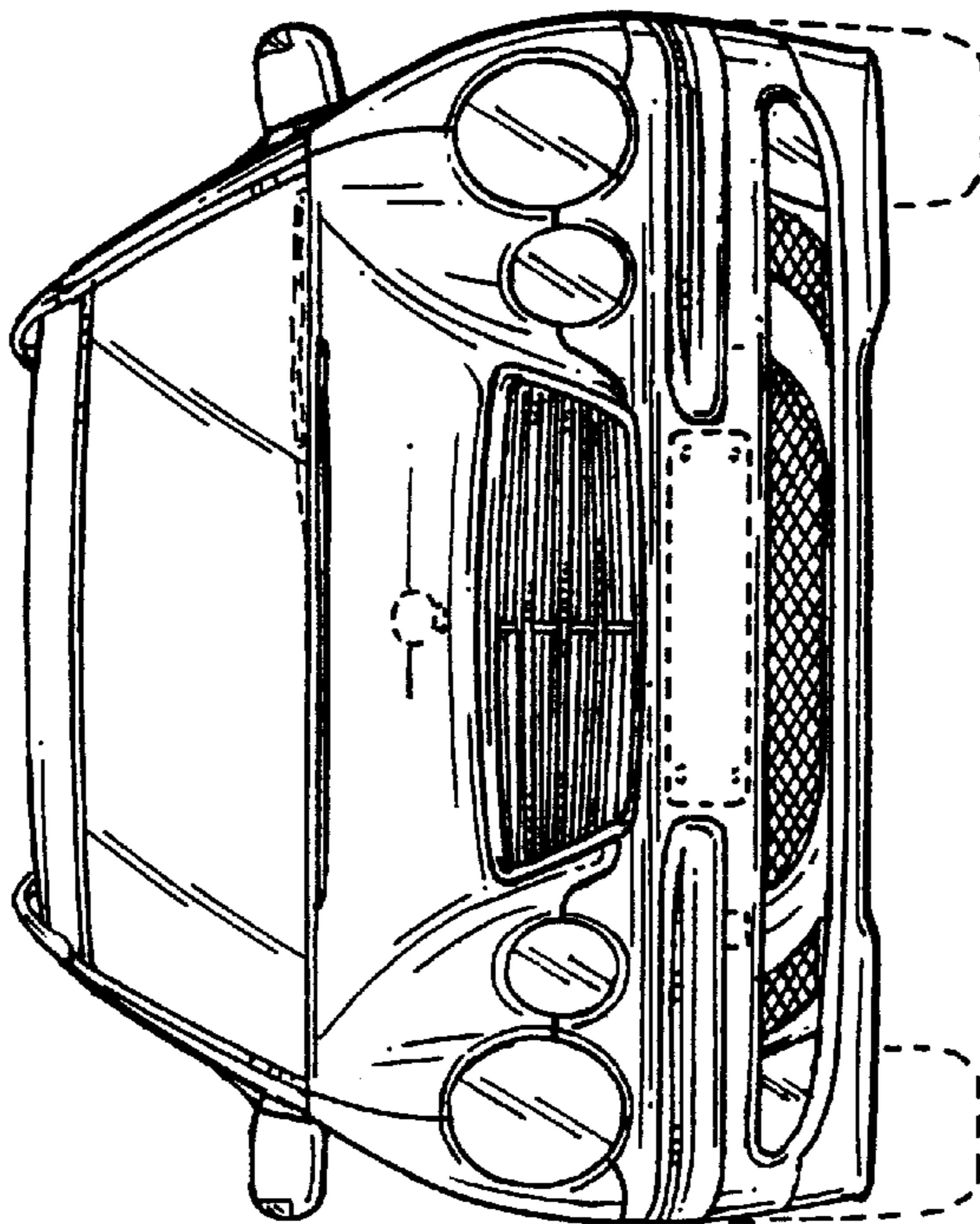


FIG. 3

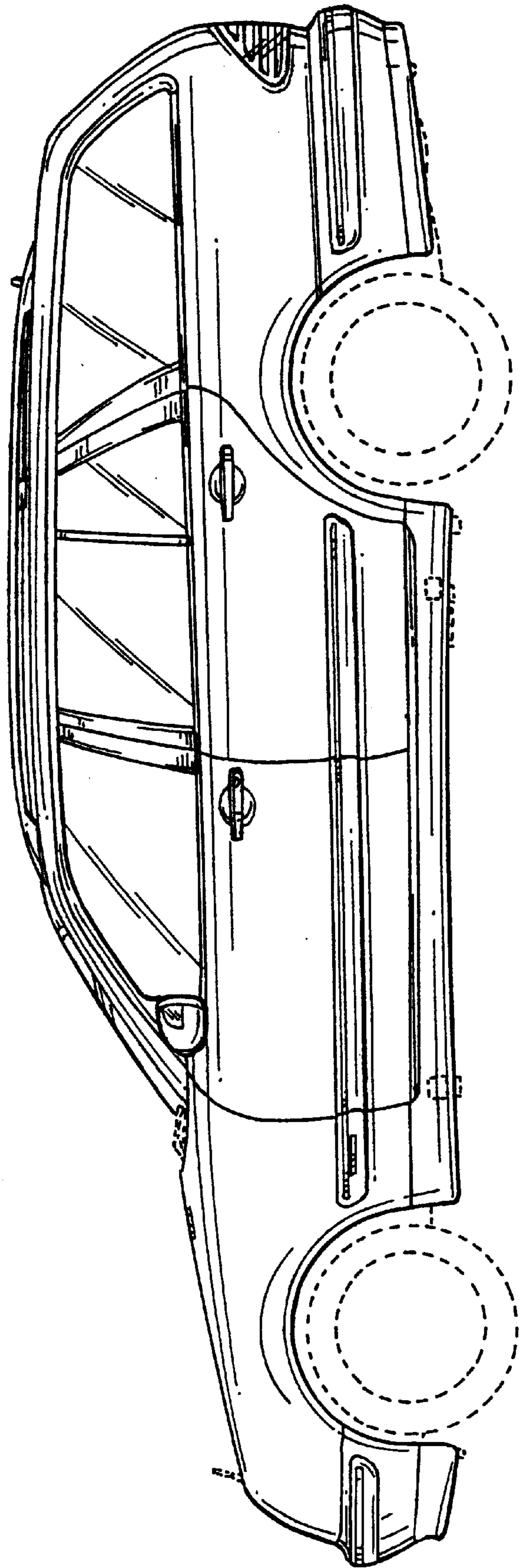


FIG. 5

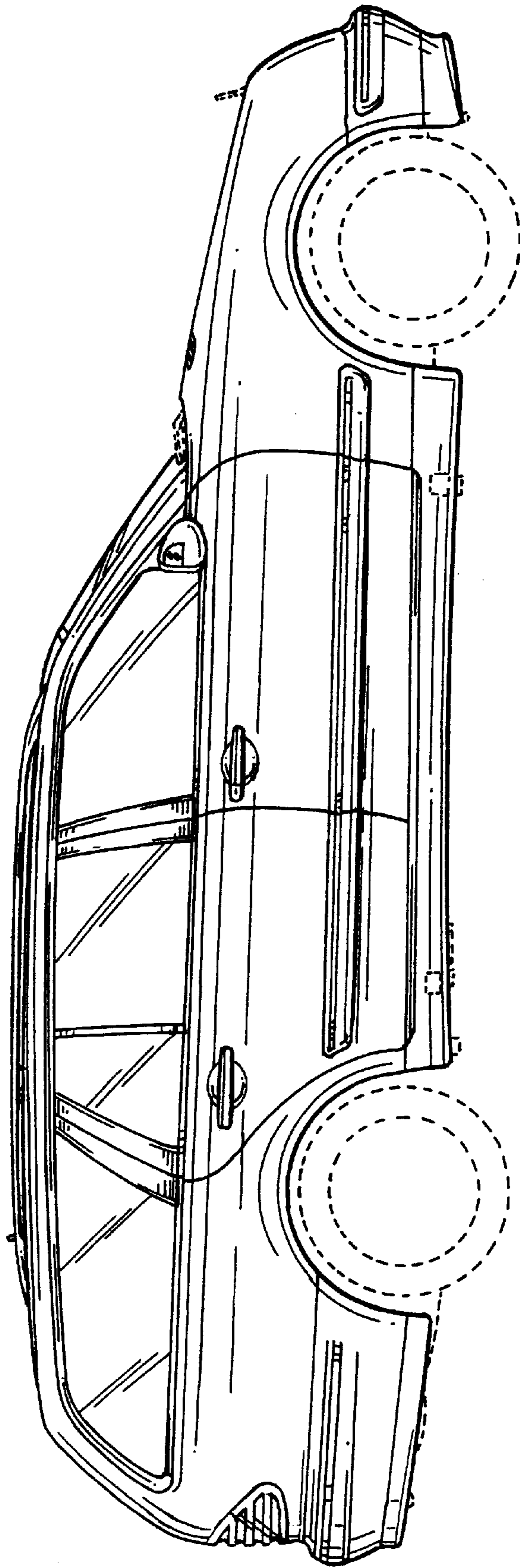


FIG. 6