



US00D432943S

United States Patent [19] Schottin

[11] **Patent Number: Des. 432,943**

[45] **Date of Patent: ** Oct. 31, 2000**

[54] **PLANT HANGER**

[76] Inventor: **Thomas M. Schottin**, 2336 Prarie St.,
Ann Arbor, Mich. 48105

[**] Term: **14 Years**

[21] Appl. No.: **29/112,502**

[22] Filed: **Oct. 18, 1999**

[51] **LOC (7) Cl.** **11-02**

[52] **U.S. Cl.** **D11/143**

[58] **Field of Search** D11/143, 144,
D11/148, 152; 47/67; D7/556, 557, 559,
576; D6/347, 556, 557, 558, 513; 206/423;
248/27.8

[56] **References Cited**

U.S. PATENT DOCUMENTS

D. 212,959	12/1968	Michaels	D6/558
D. 238,991	3/1976	Benavides	D6/513
D. 246,145	10/1977	Hendricks	D11/152
D. 333,397	2/1993	Barrett	D6/513

OTHER PUBLICATIONS

Hanging garden, advertising flyer, Sep. 1971.

Primary Examiner—Doris V. Coles
Assistant Examiner—Mimosa De
Attorney, Agent, or Firm—William Patrick Waters

[57] **CLAIM**

The ornamental design for a plant hanger, as shown and described.

DESCRIPTION

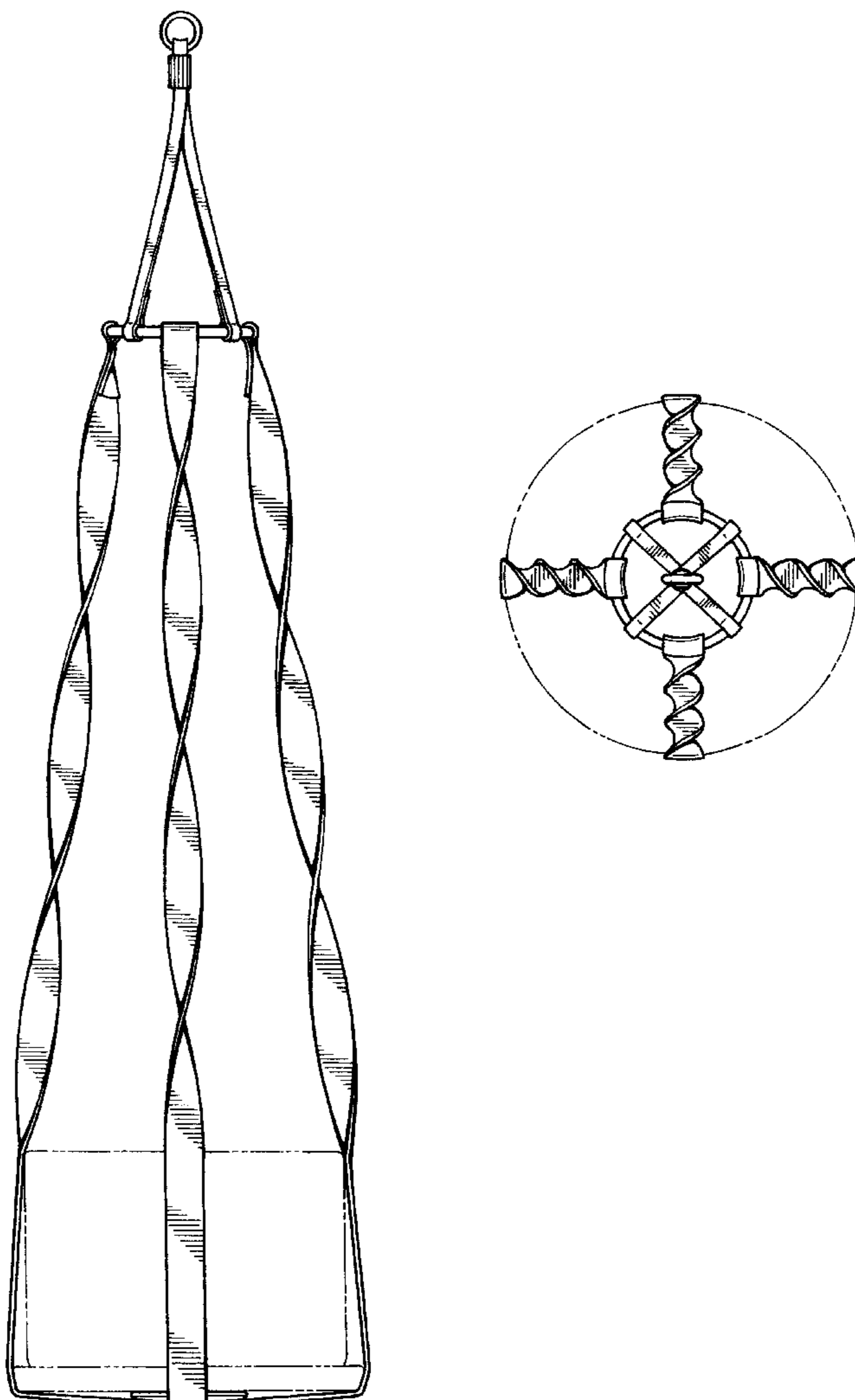
FIG. 1 is a side elevational view of a plant hanger showing my new design, it being understood that all four sides are the same;

FIG. 2 is a top plan view thereof; and,

FIG. 3 is a bottom plan view thereof.

The broken line showing of the tray and the pot is for illustrative purposes only and forms no part of the claimed design.

1 Claim, 1 Drawing Sheet



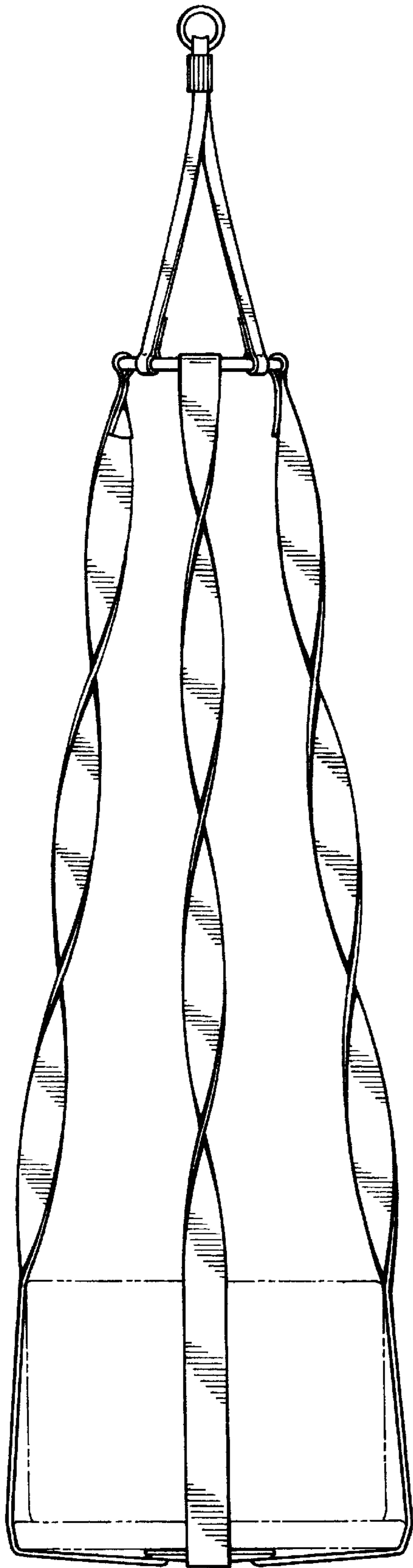


FIG. 1

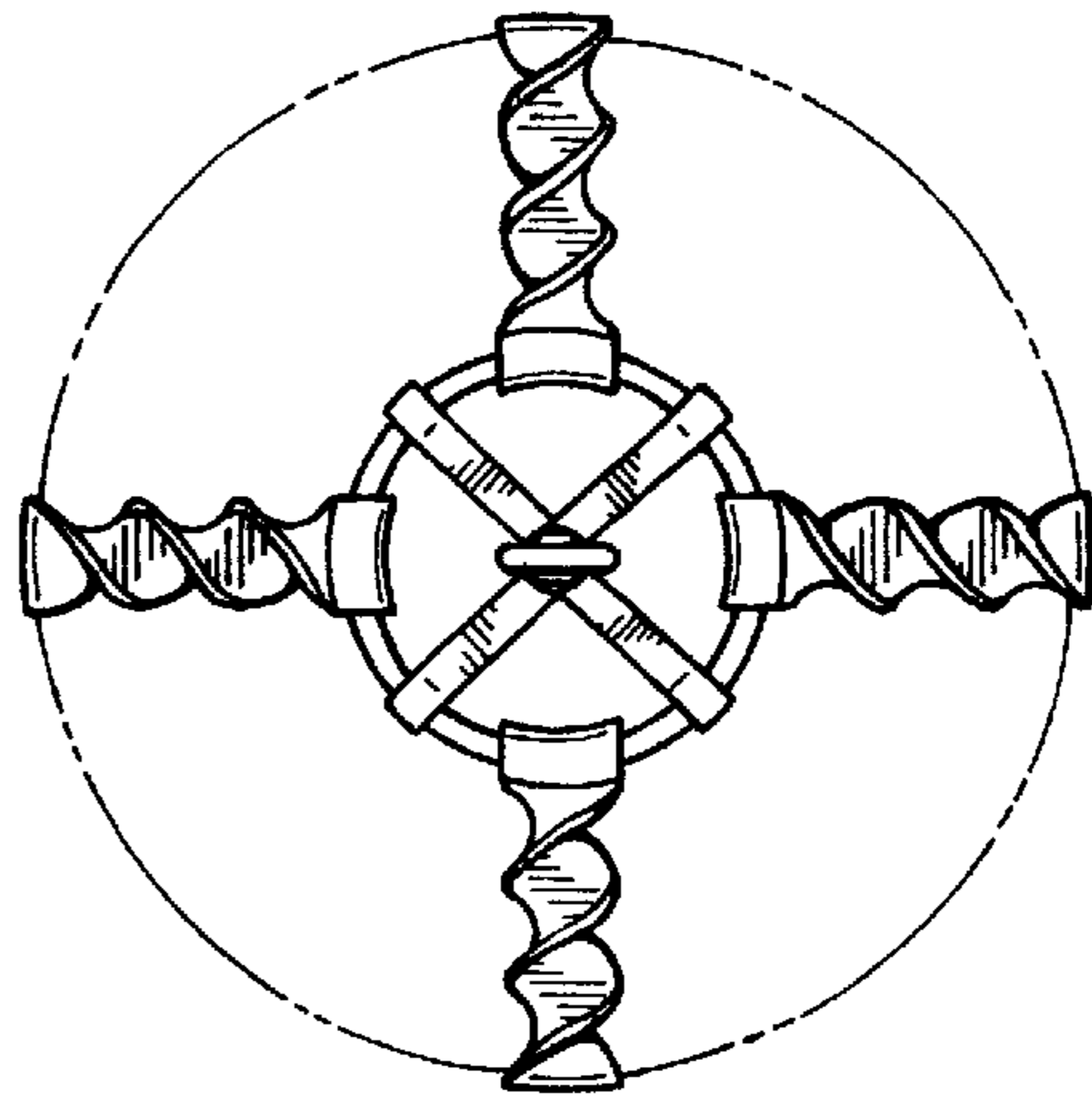


FIG. 2

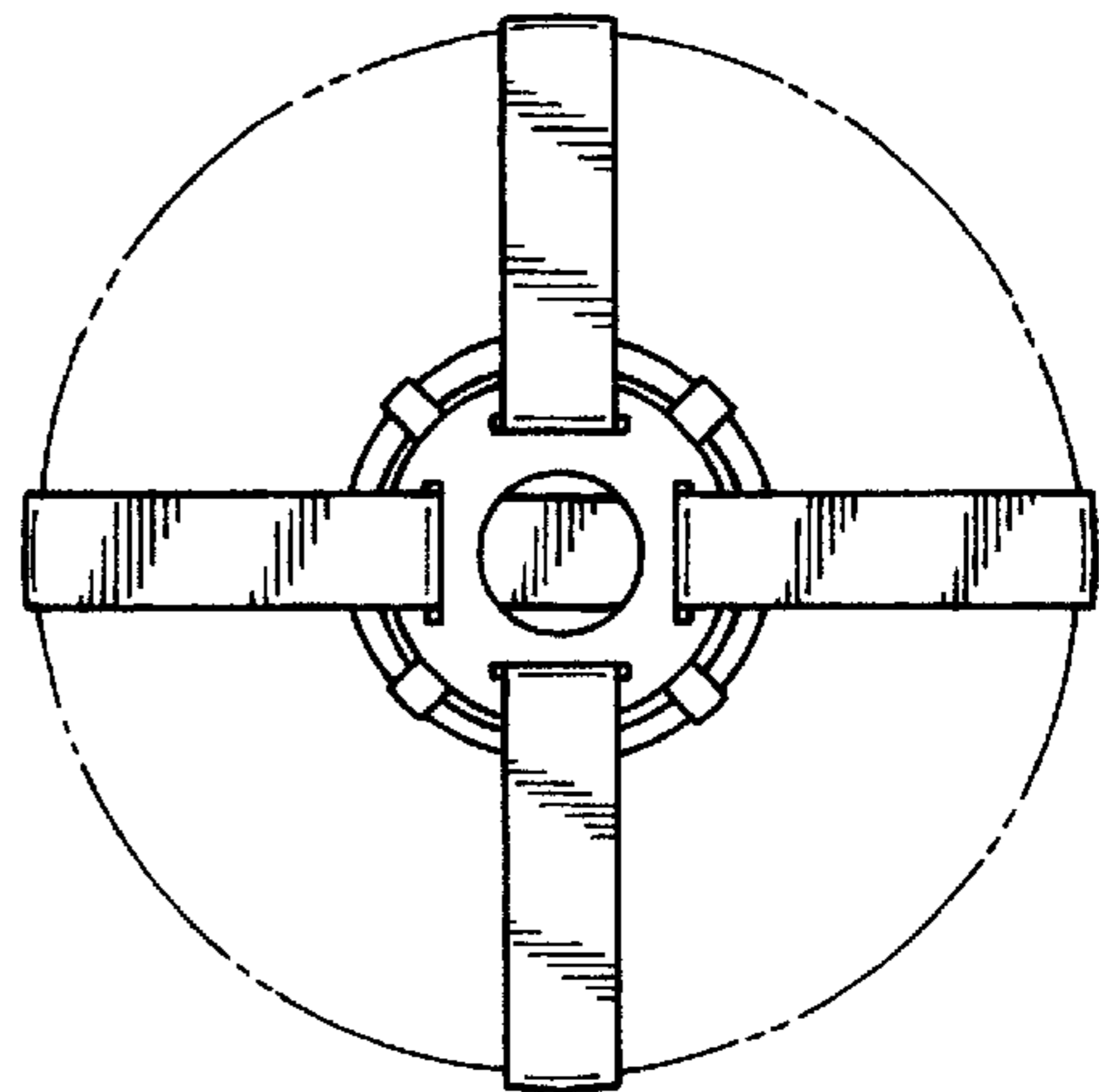


FIG. 3