



US00D432938S

# United States Patent [19]

Vardakis et al.

[11] Patent Number: Des. 432,938

[45] Date of Patent: \*\* Oct. 31, 2000

## [54] FINGER RING

[76] Inventors: **Mike M. Vardakis**, 234 17th Ave., Salt Lake City, Utah 84103; **Angelo Vardakis**, 626 E. 1300 South, Salt Lake City, Utah 84105

[\*\*] Term: **14 Years**

[21] Appl. No.: **29/105,774**

[22] Filed: **Jun. 2, 1999**

[51] **LOC (7) Cl.** ..... **11-01**

[52] **U.S. Cl.** ..... **D11/26**

[58] **Field of Search** ..... D11/26-39, 91; 63/3, 15, 15.1-15.4, 15.45, 15.7-15.8, 26-28, 29.1-29.2, 30-32

## [56] References Cited

### U.S. PATENT DOCUMENTS

D. 100,733	8/1936	Kronstadt	.....	D11/36
D. 108,540	2/1938	Granat	.....	D11/36
D. 133,110	7/1942	Sohmer	.....	D11/26
D. 139,849	12/1944	Dieges	.....	D11/26
D. 187,813	5/1960	Livingston	.....	D11/35
D. 203,763	2/1966	Suger	.....	D11/35
D. 299,815	2/1989	Shapiro	.....	D11/35
D. 373,969	9/1996	Ambar	.....	D11/34
D. 374,411	10/1996	Ambar	.....	D11/34
D. 395,254	6/1998	Tong	.....	D11/26
D. 400,119	10/1998	Itzkowitz	.....	D11/26
D. 402,912	12/1998	Itzkowitz	.....	D11/29
D. 404,331	1/1999	Seibel	.....	D11/26
D. 404,332	1/1999	Perrin et al.	.....	D11/26
1,146,543	7/1915	Abel et al.	.....	D11/38
2,150,446	3/1939	Karlan	.....	D11/36
2,729,955	1/1956	Jay	.....	D11/36
5,664,440	9/1997	Roemer	.....	63/15

Primary Examiner—Cathy Anne MacCormac  
Attorney, Agent, or Firm—Kirton & McConkie; Berne S. Broadbent; Michael M. Conger

## [57] CLAIM

The ornamental design for a finger ring, as shown and described.

## DESCRIPTION

FIG. 1 is a perspective view of a finger ring showing our new design;

FIG. 2 is a top plan view of the finger ring thereof;

FIG. 3 is a side view thereof;

FIG. 4 is a front view thereof;

FIG. 5 is a rear view thereof;

FIG. 6 is a perspective view thereof, as in FIG. 1, without a solitaire;

FIG. 7 is a perspective view of a second embodiment of FIG. 1;

FIG. 8 is a top plan view of the finger ring thereof;

FIG. 9 is a side view thereof;

FIG. 10 is a front view thereof;

FIG. 11 is a rear view thereof;

FIG. 12 is a perspective view thereof, as in FIG. 7, without a solitaire.

FIG. 13 is a perspective view of a third embodiment of FIG. 1;

FIG. 14 is a top plan view of the finger ring thereof;

FIG. 15 is a side view thereof;

FIG. 16 is a front view thereof;

FIG. 17 is a rear view thereof;

FIG. 18 is a perspective view thereof, as in FIG. 13; without a solitaire.

FIG. 19 is a perspective view of a fourth embodiment of FIG. 1;

FIG. 20 is a top plan view of the finger ring thereof;

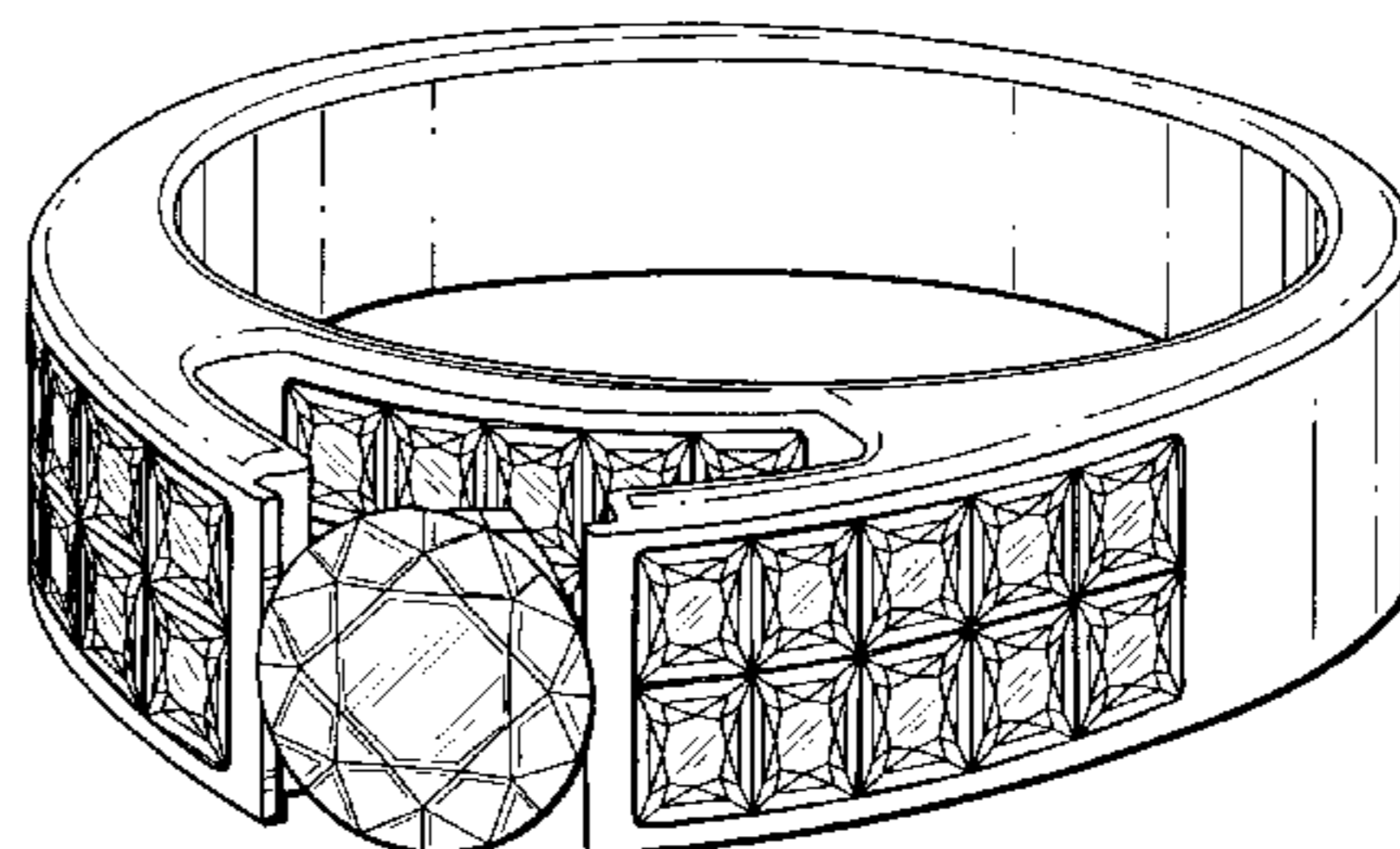
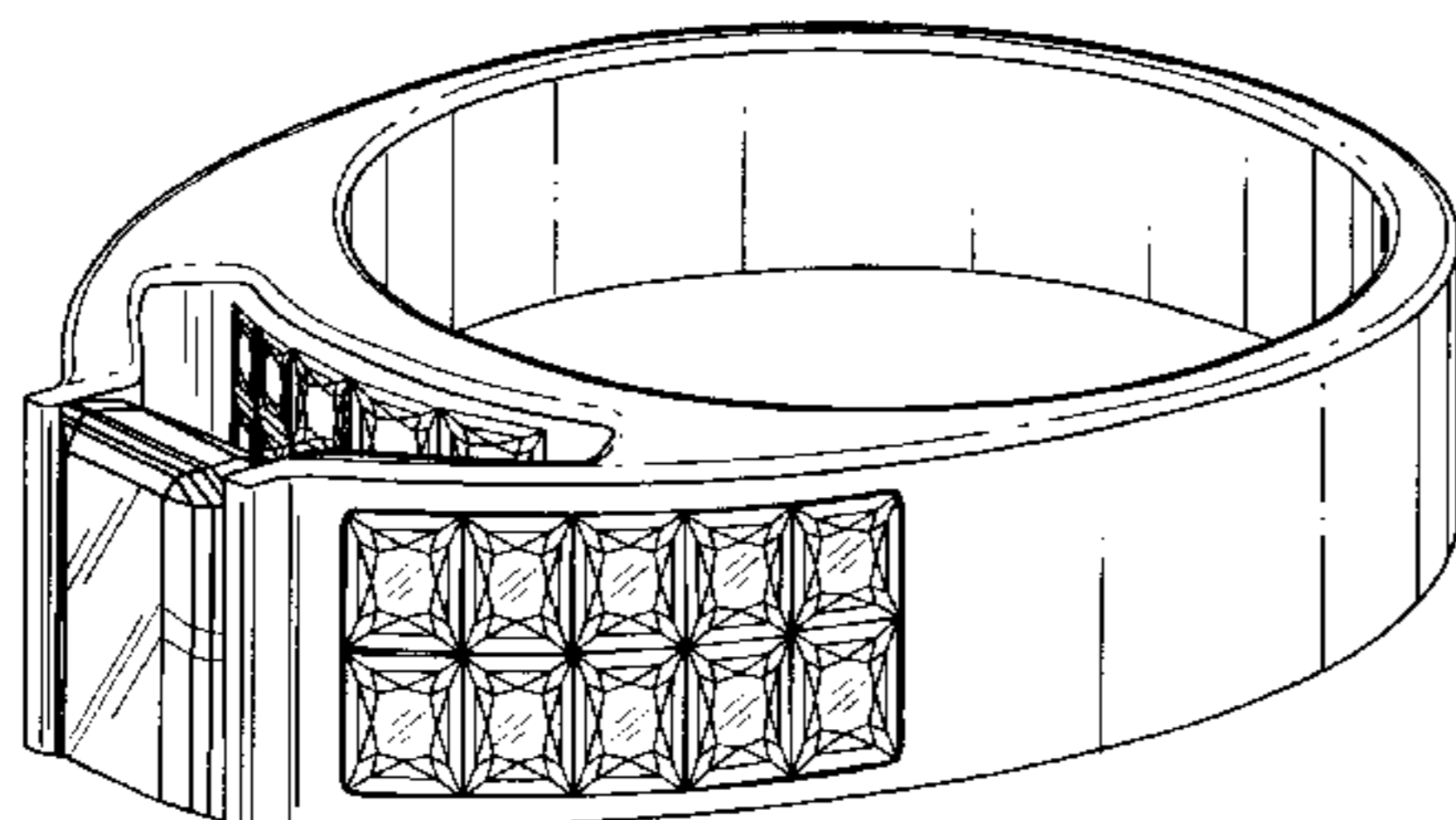
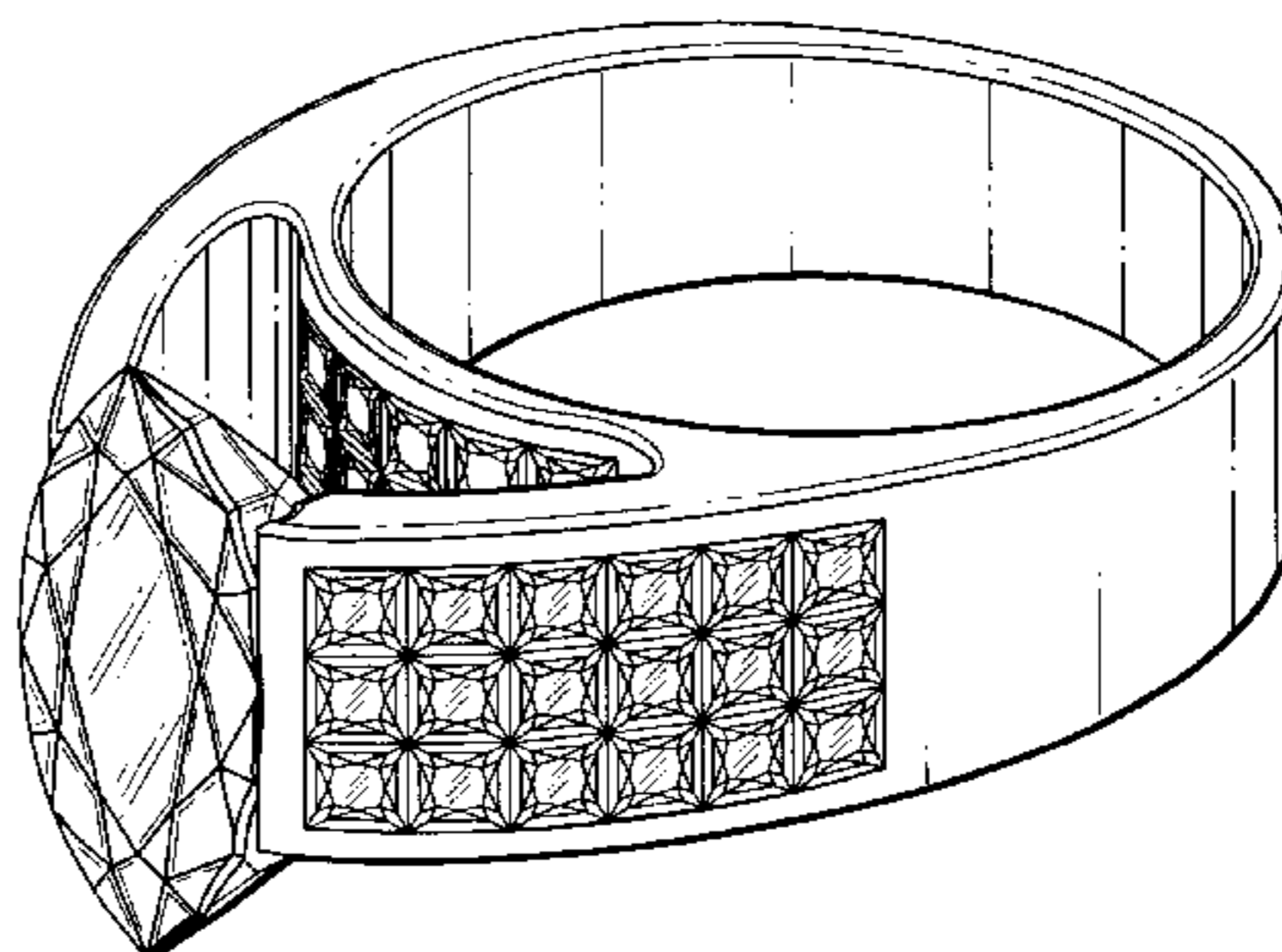
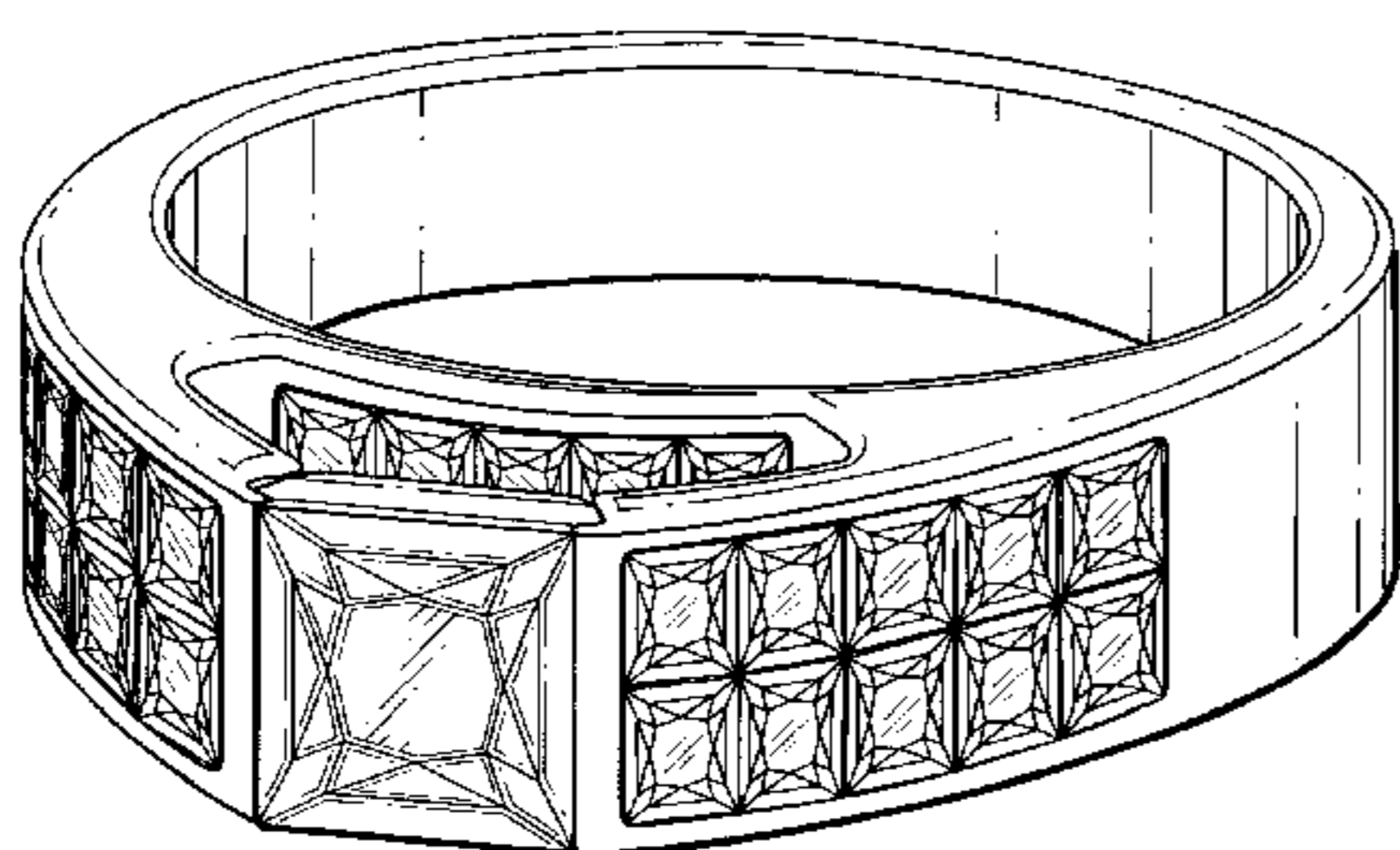
FIG. 21 is a side view thereof;

FIG. 22 is a front view thereof;

FIG. 23 is a rear view thereof; and,

FIG. 24 is a perspective view thereof, as in FIG. 19, without a solitaire.

1 Claim, 4 Drawing Sheets



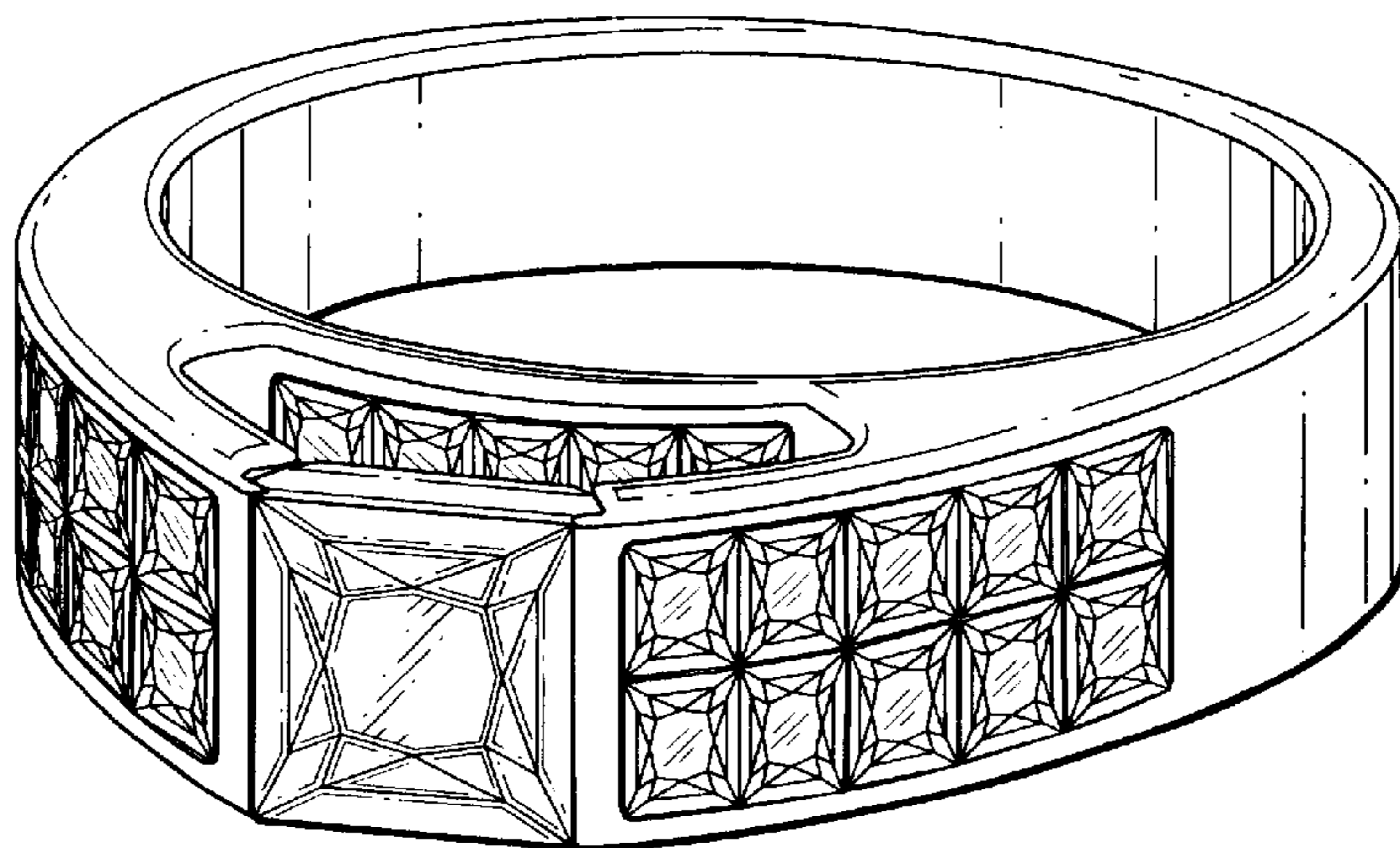


FIG. 1

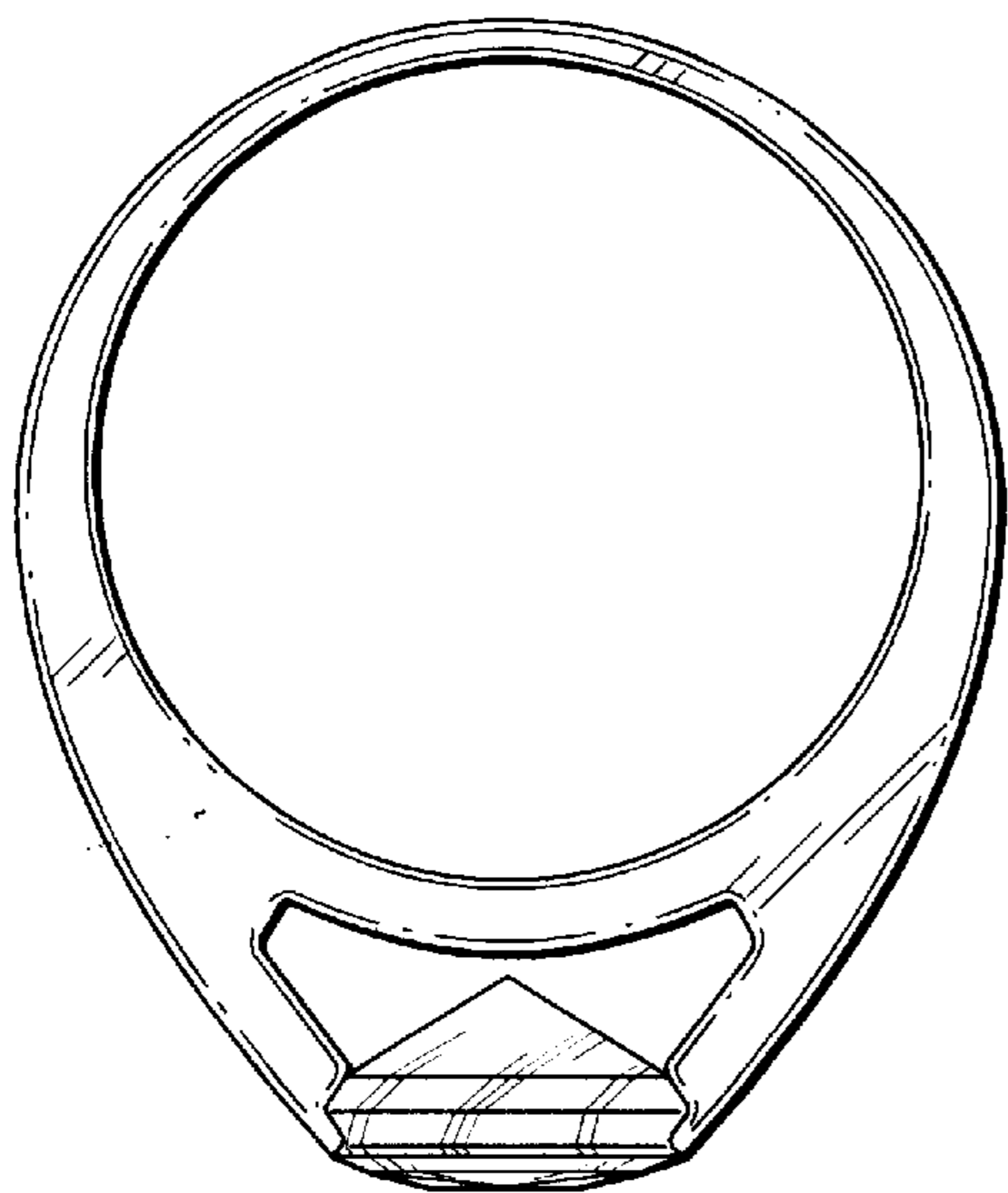


FIG. 2

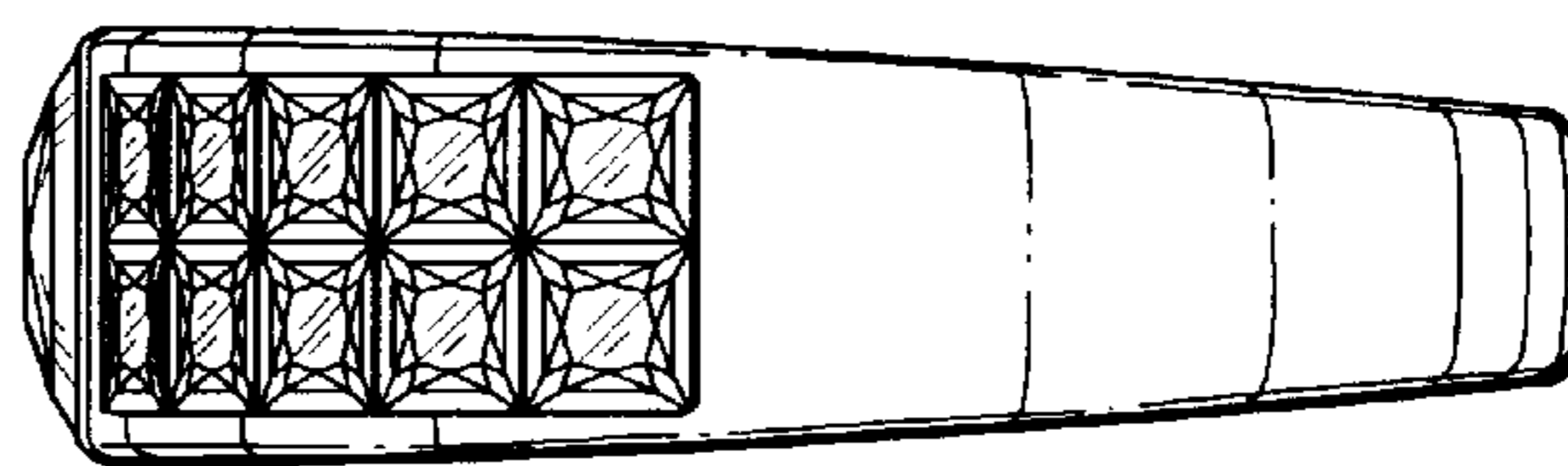


FIG. 3

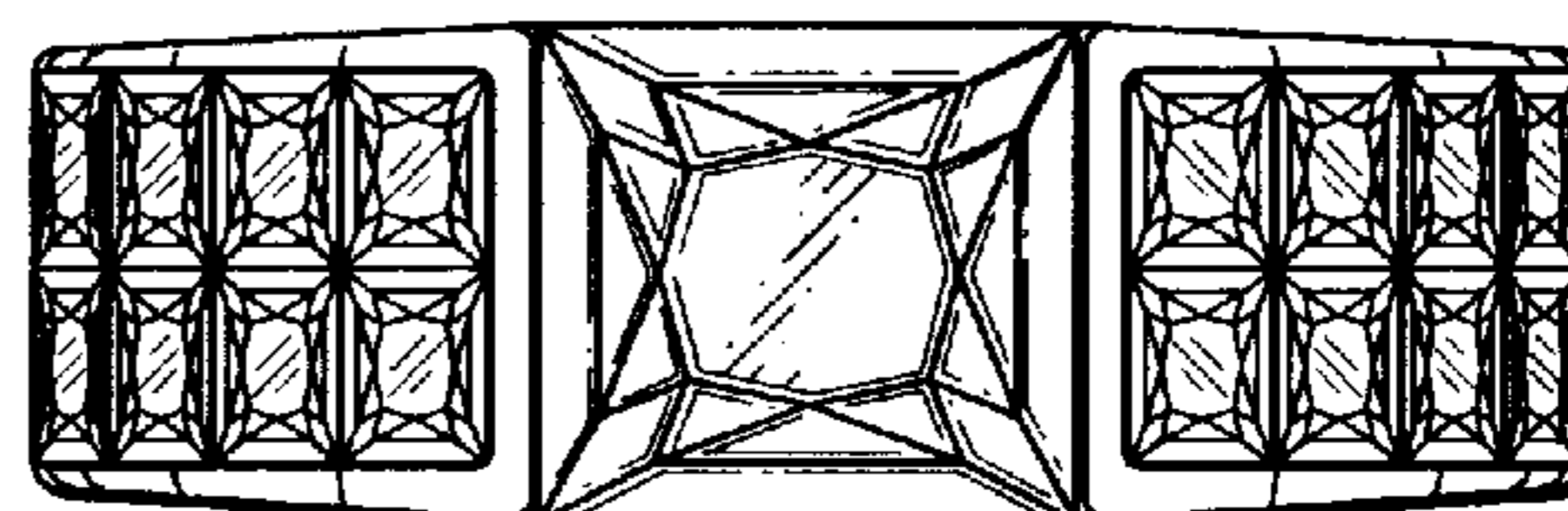


FIG. 4

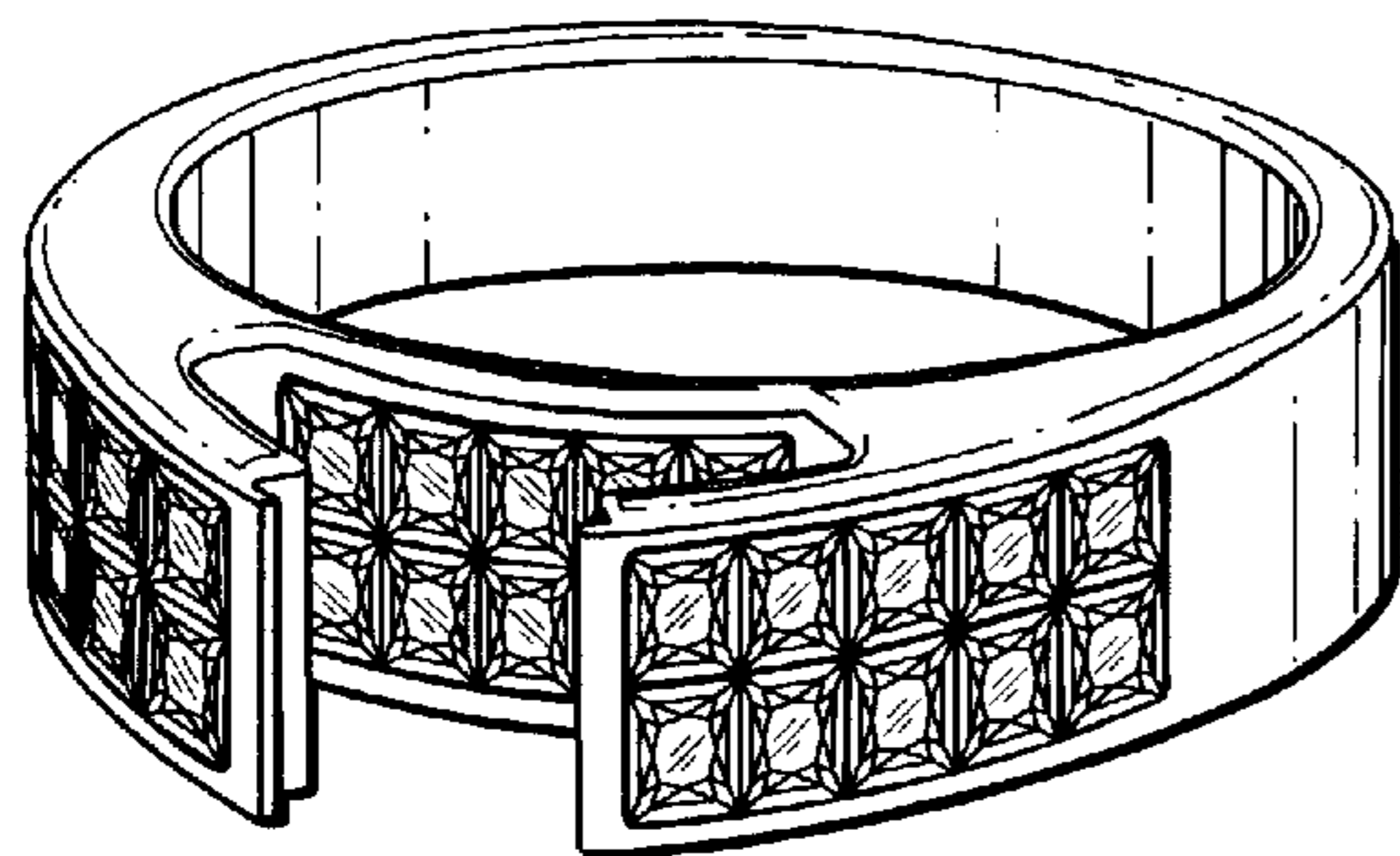


FIG. 6

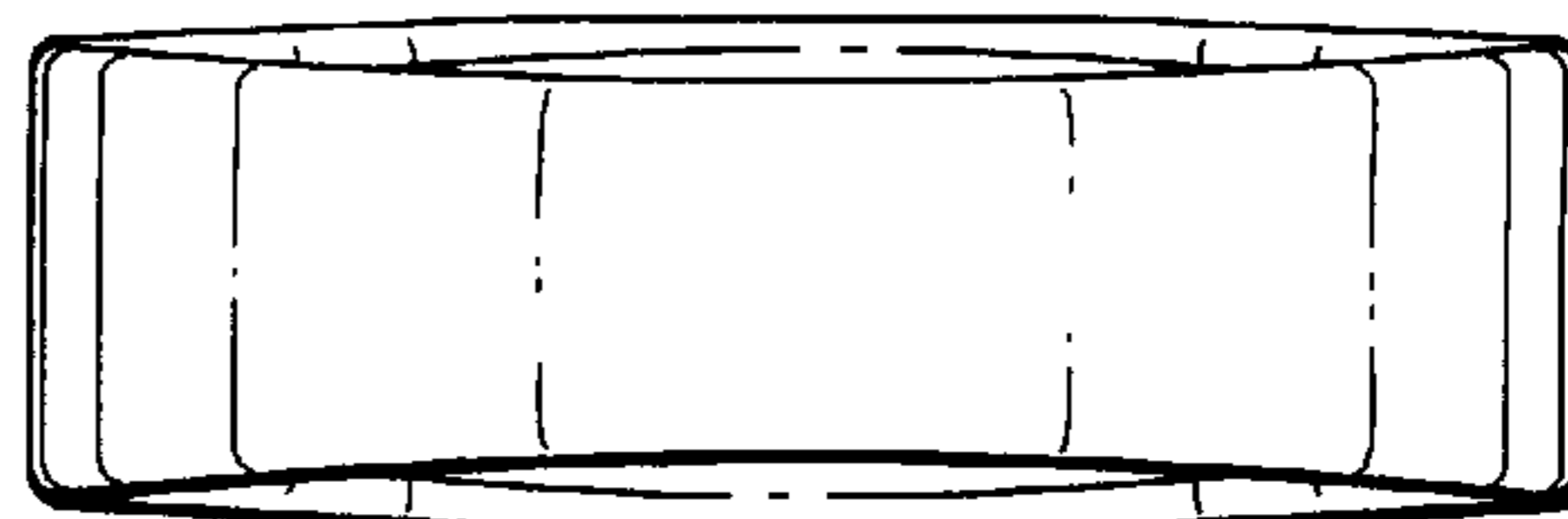


FIG. 5

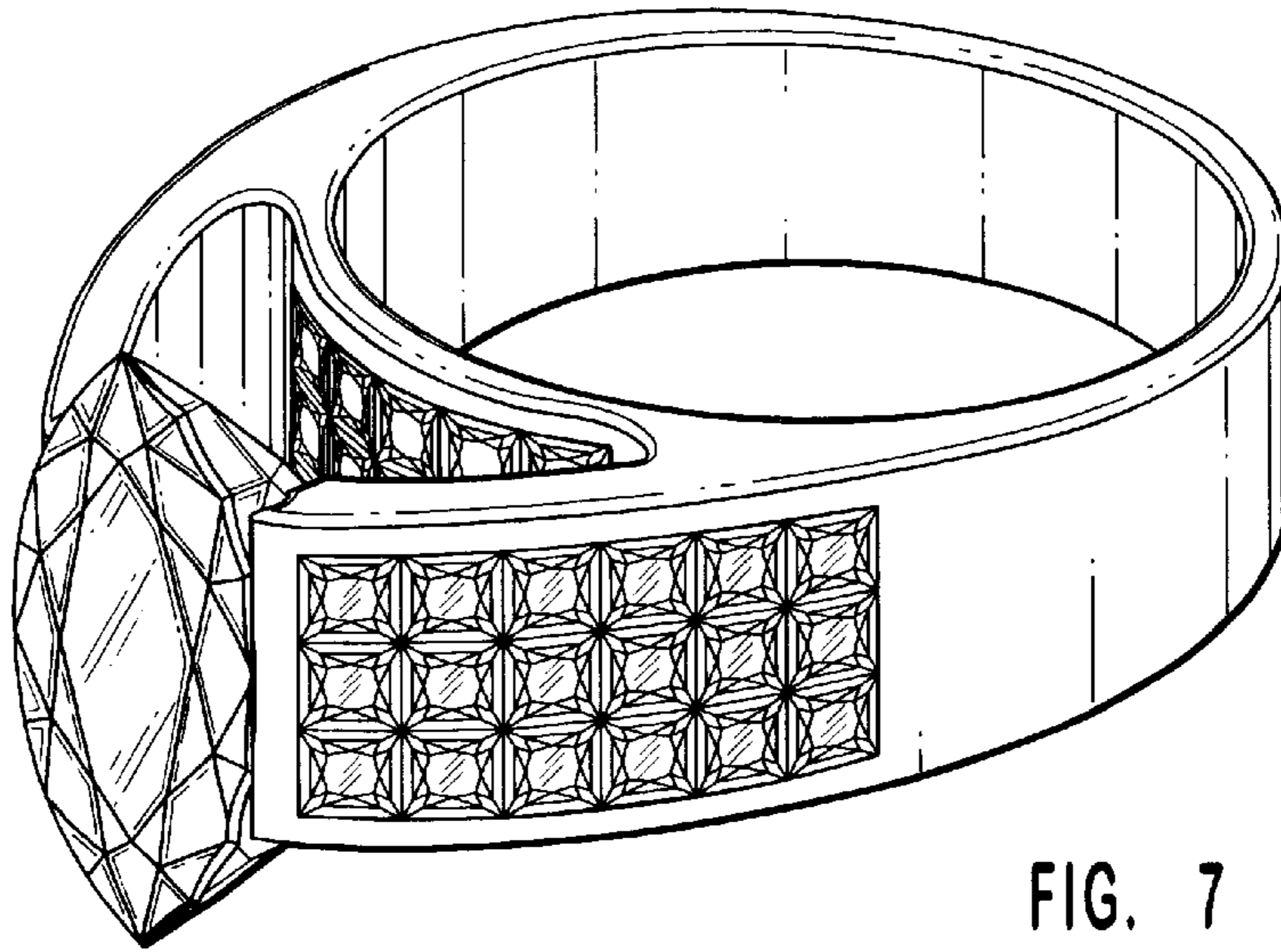


FIG. 7

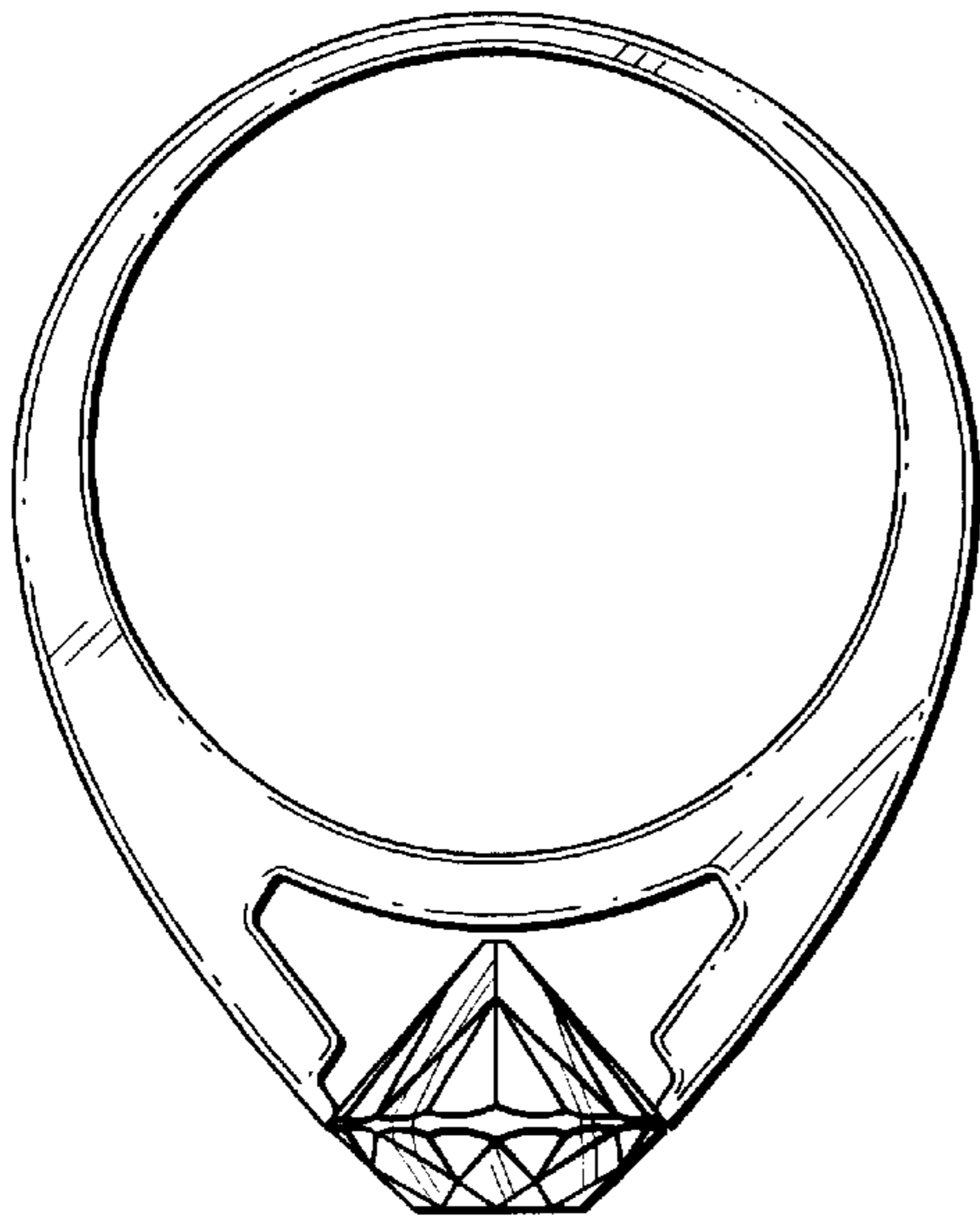


FIG. 8

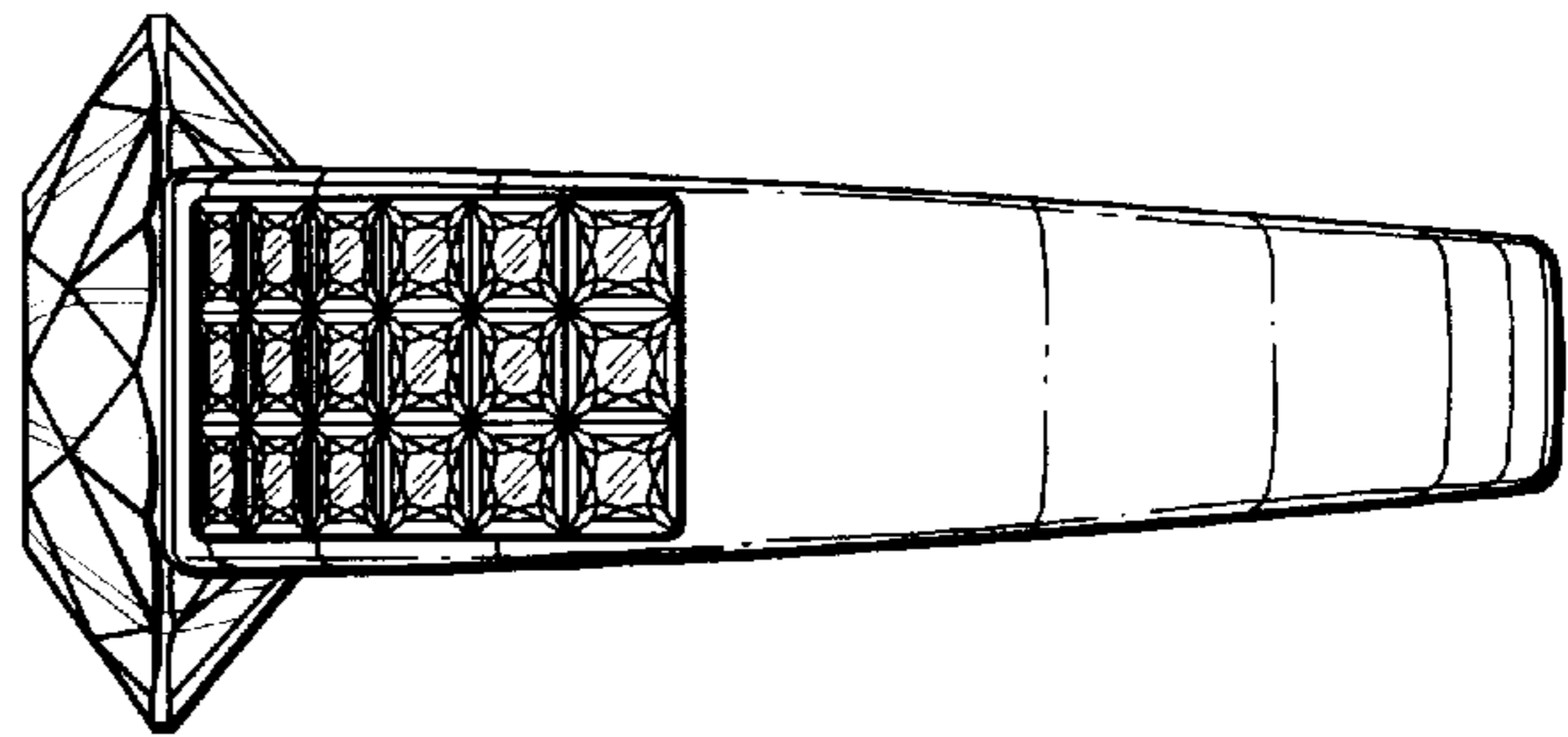


FIG. 9

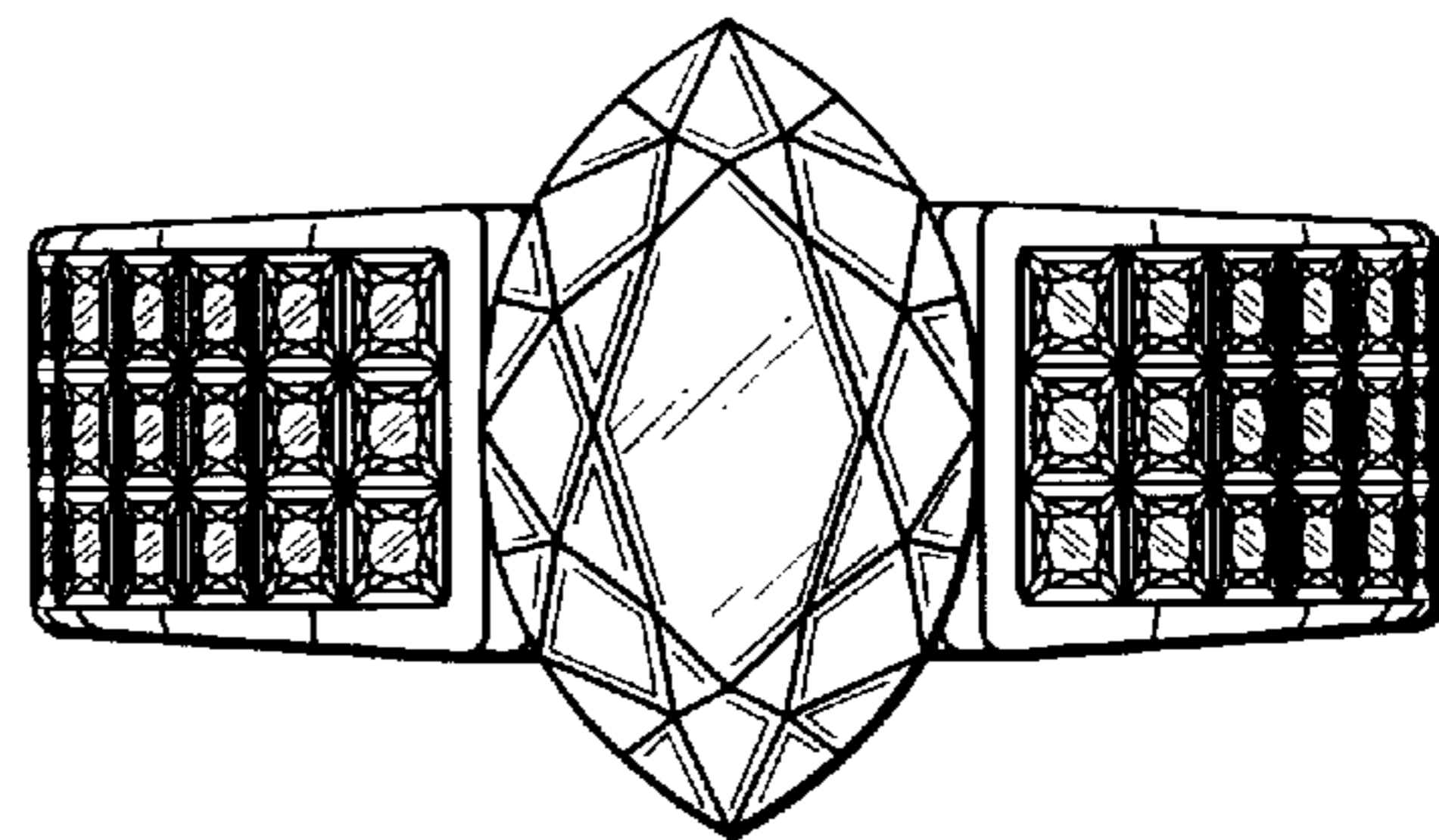


FIG. 10

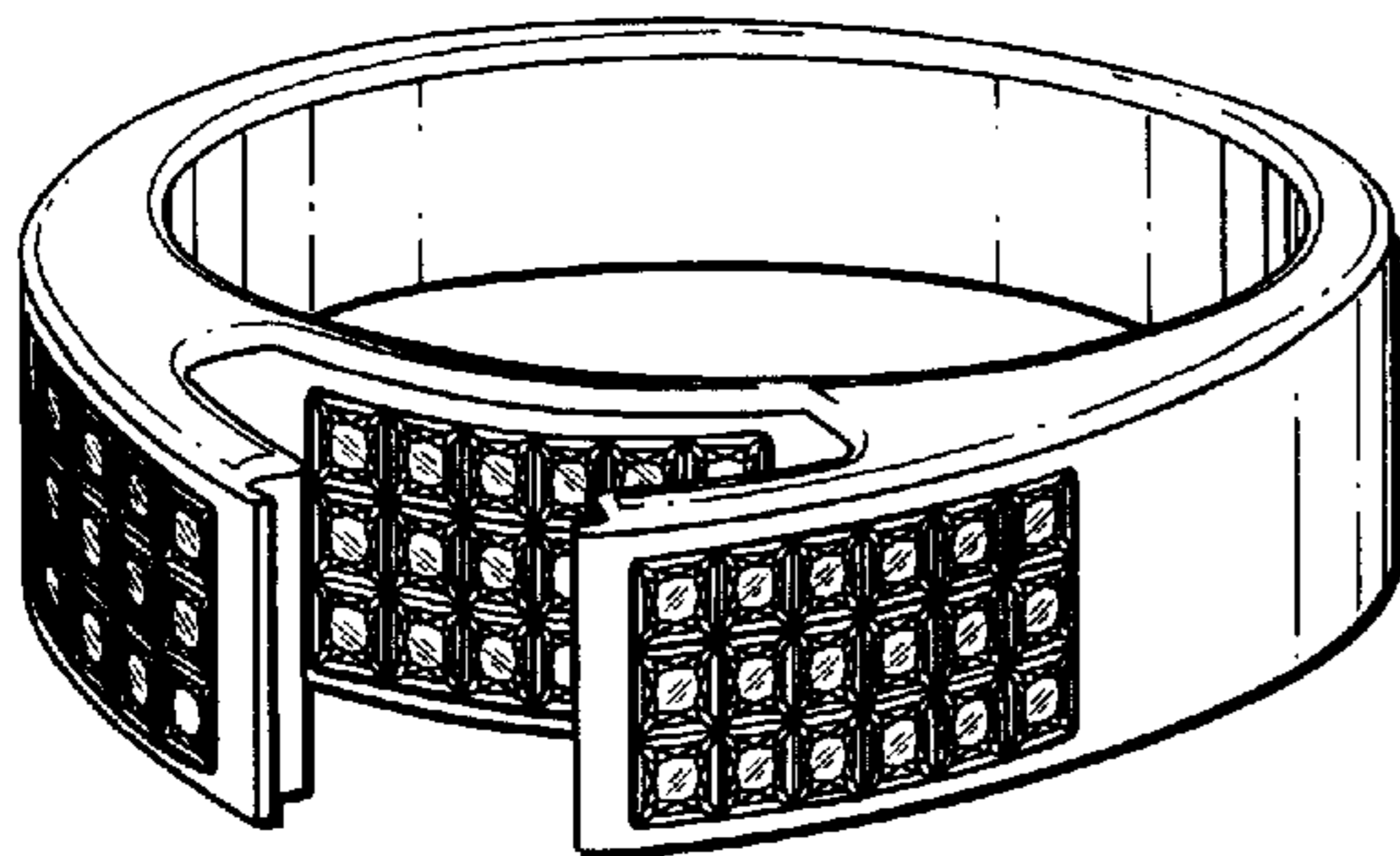


FIG. 12

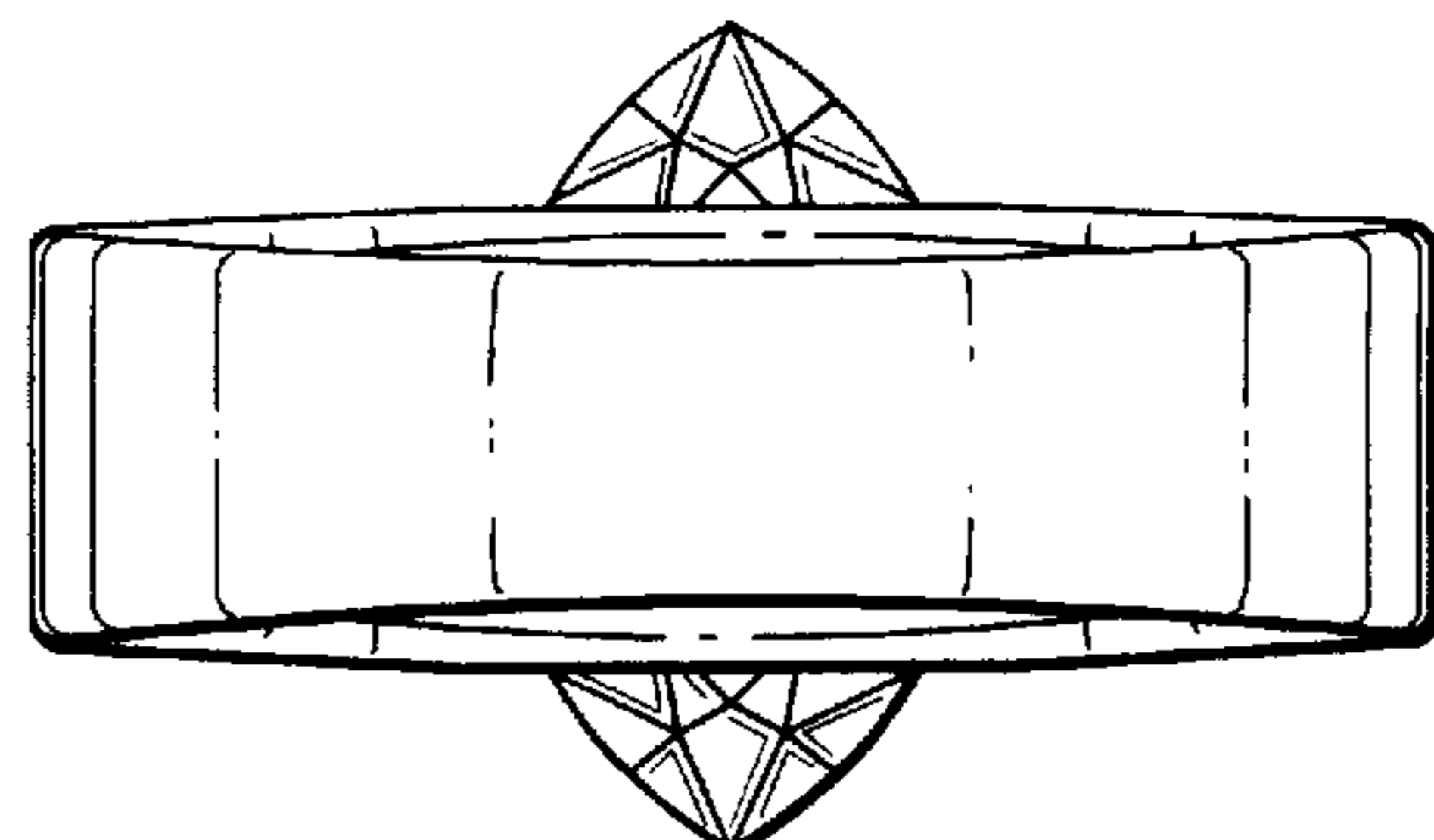


FIG. 11

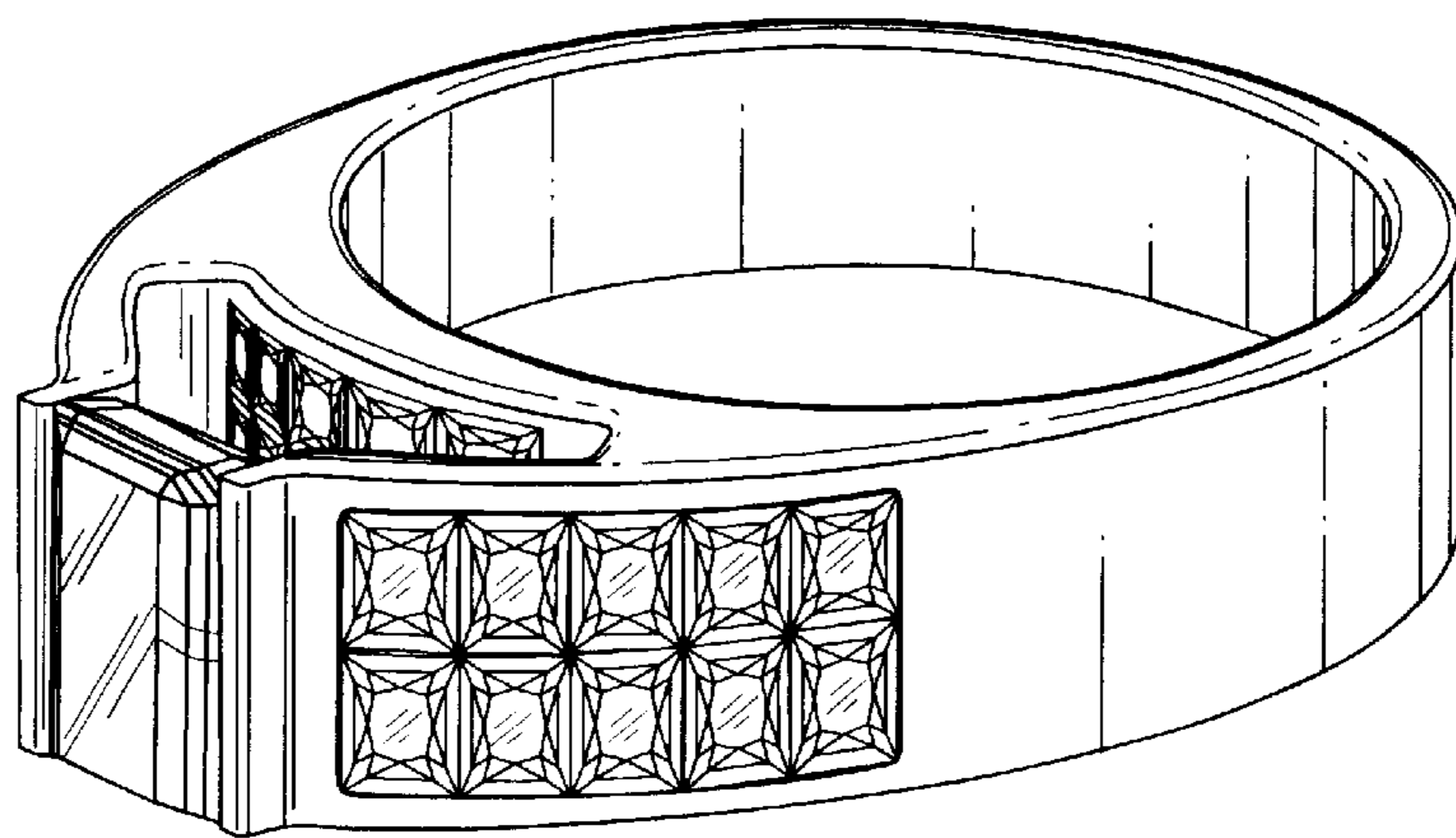


FIG. 13

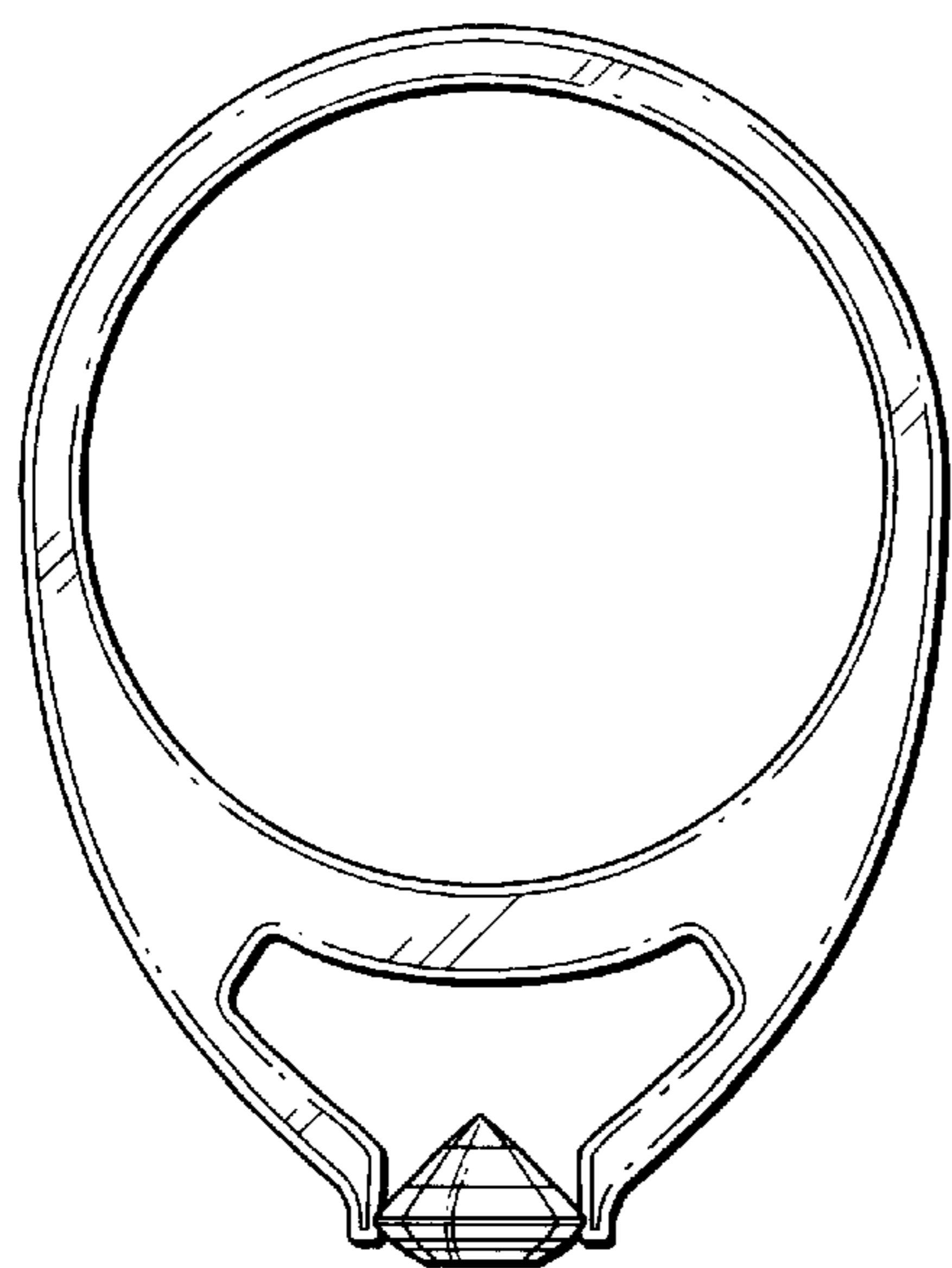


FIG. 14

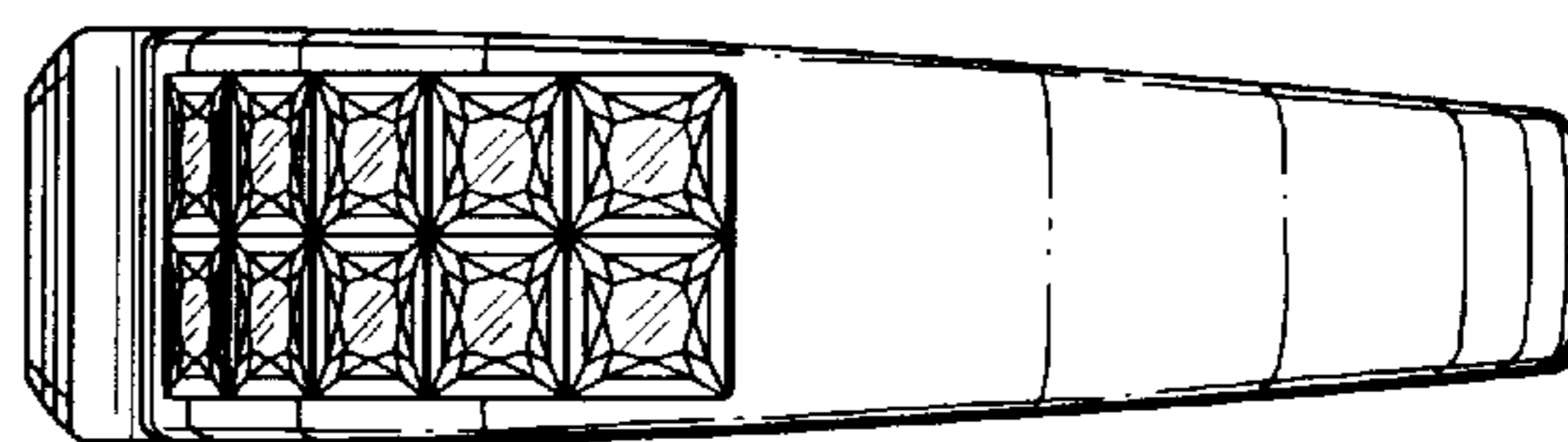


FIG. 15

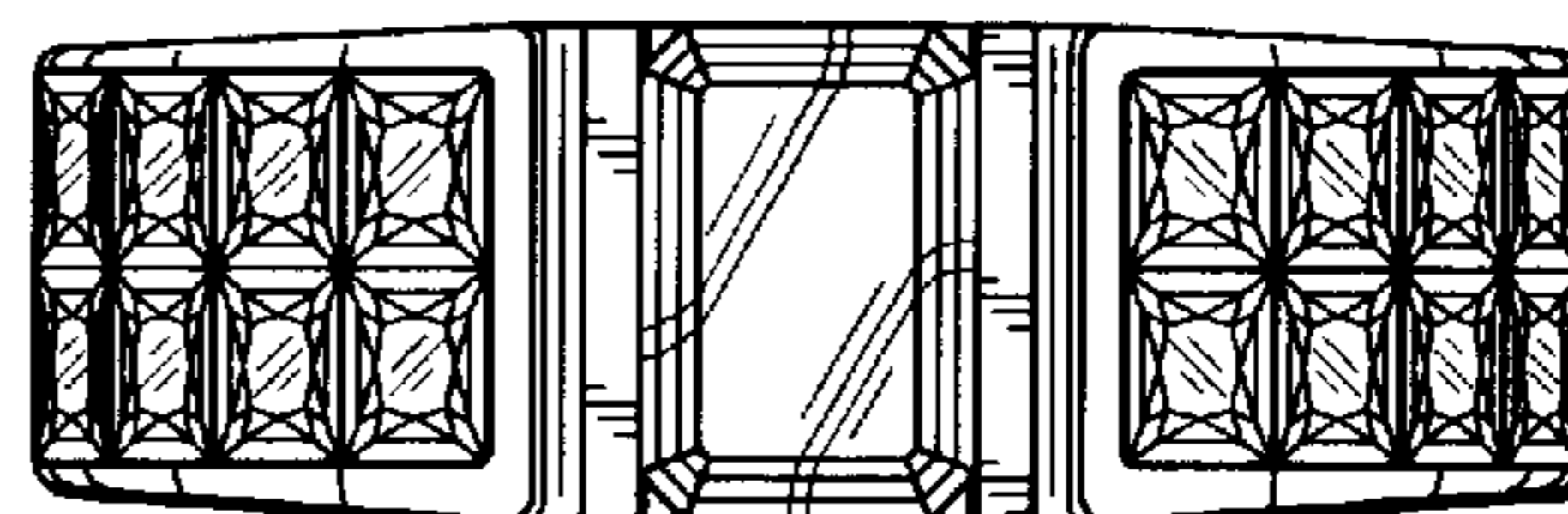


FIG. 16

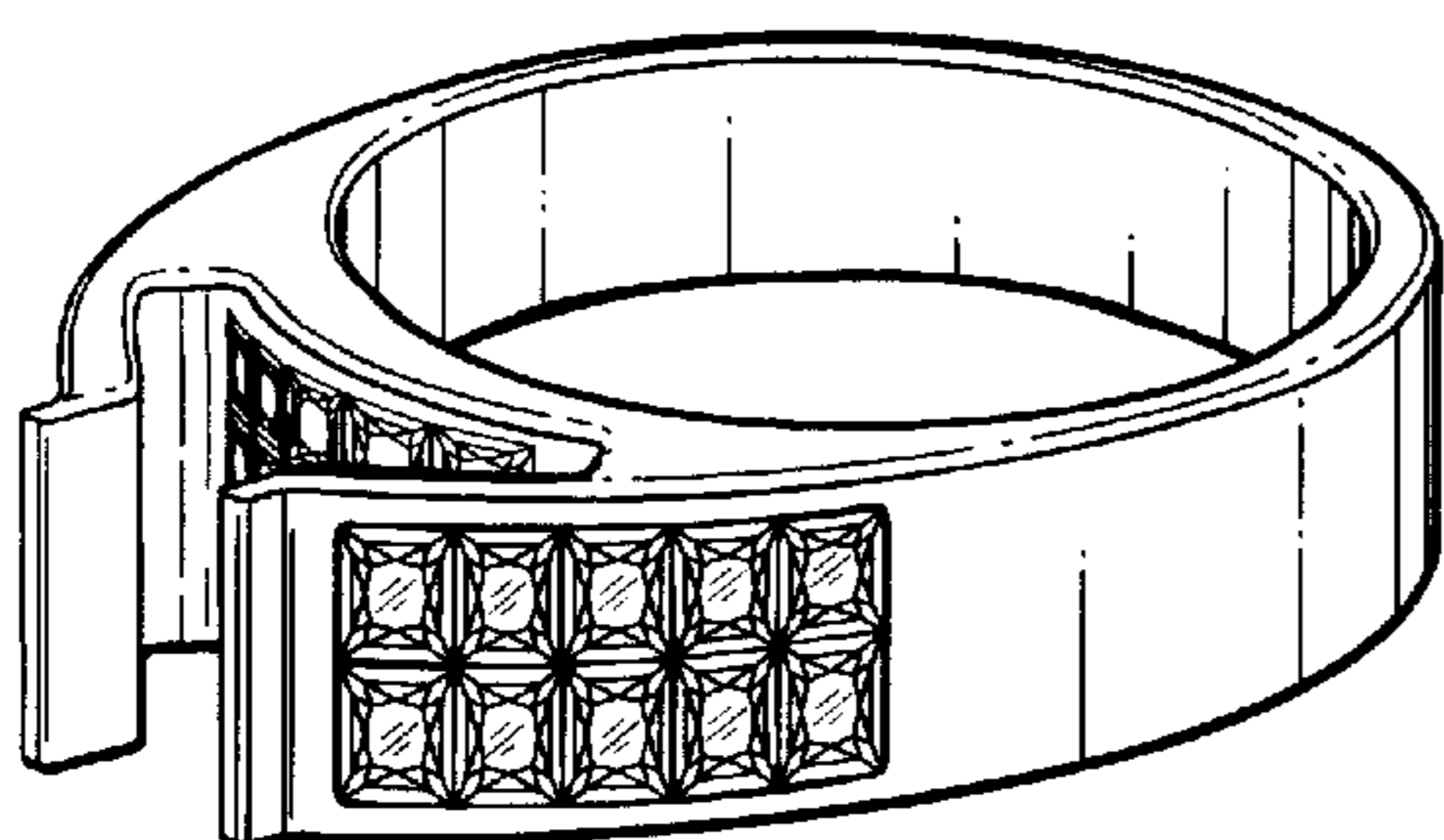


FIG. 18

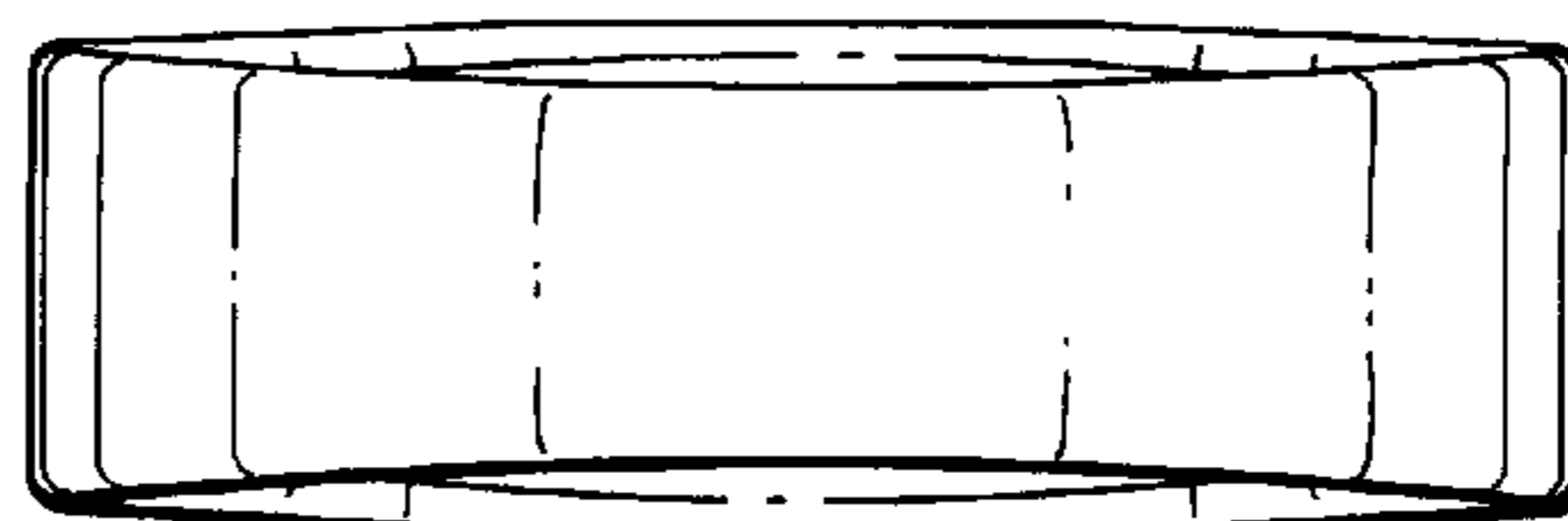


FIG. 17

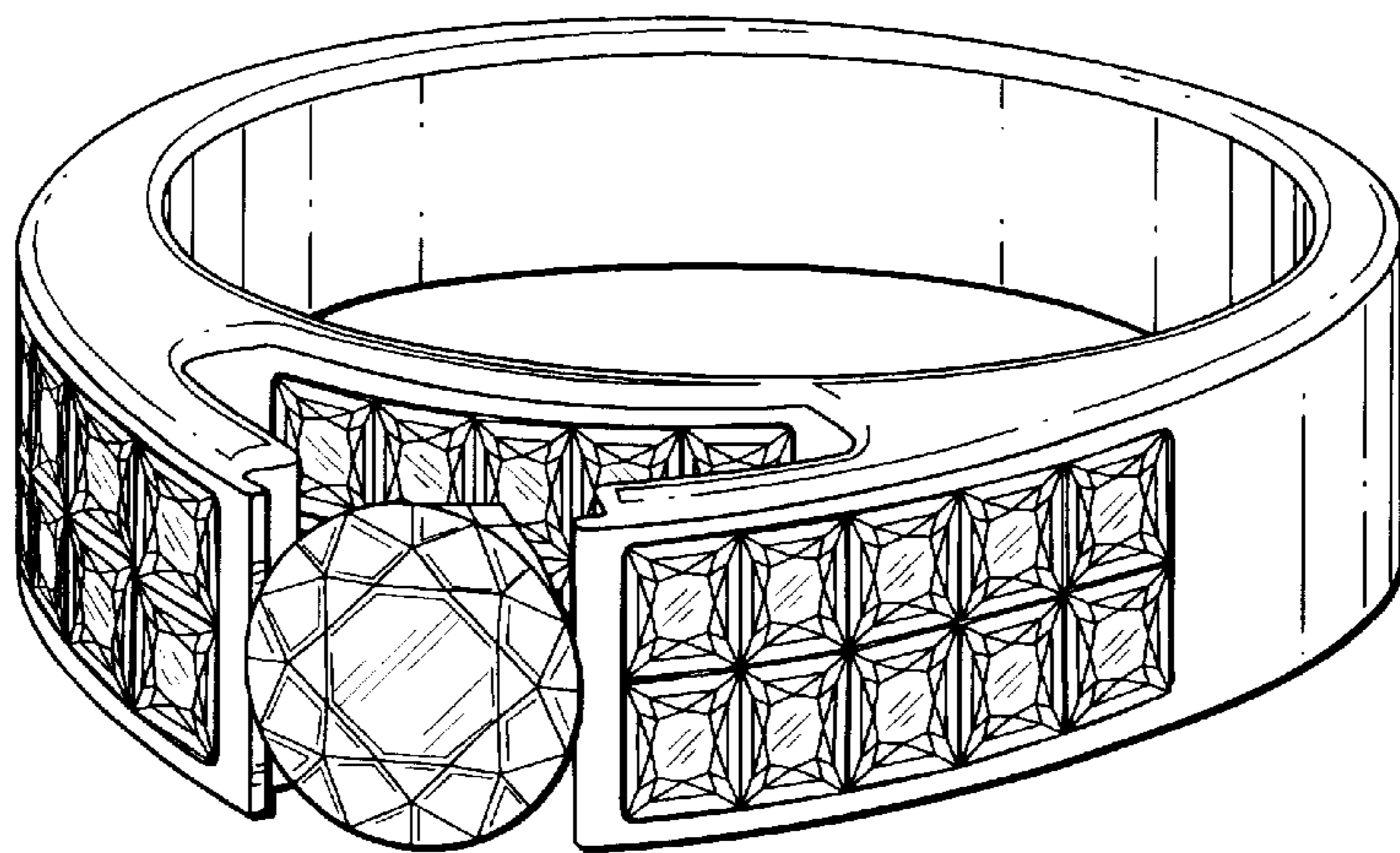


FIG. 19

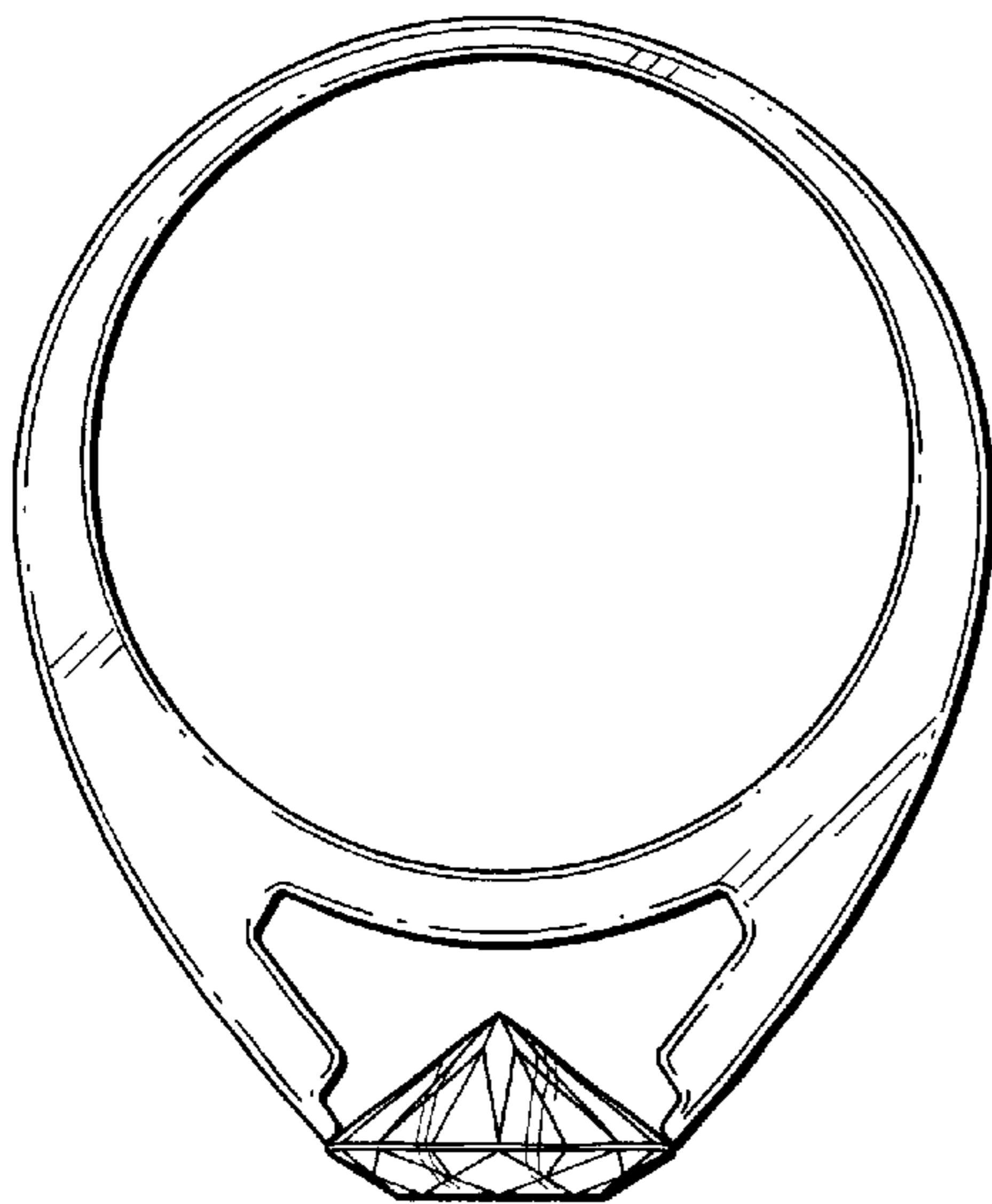


FIG. 20

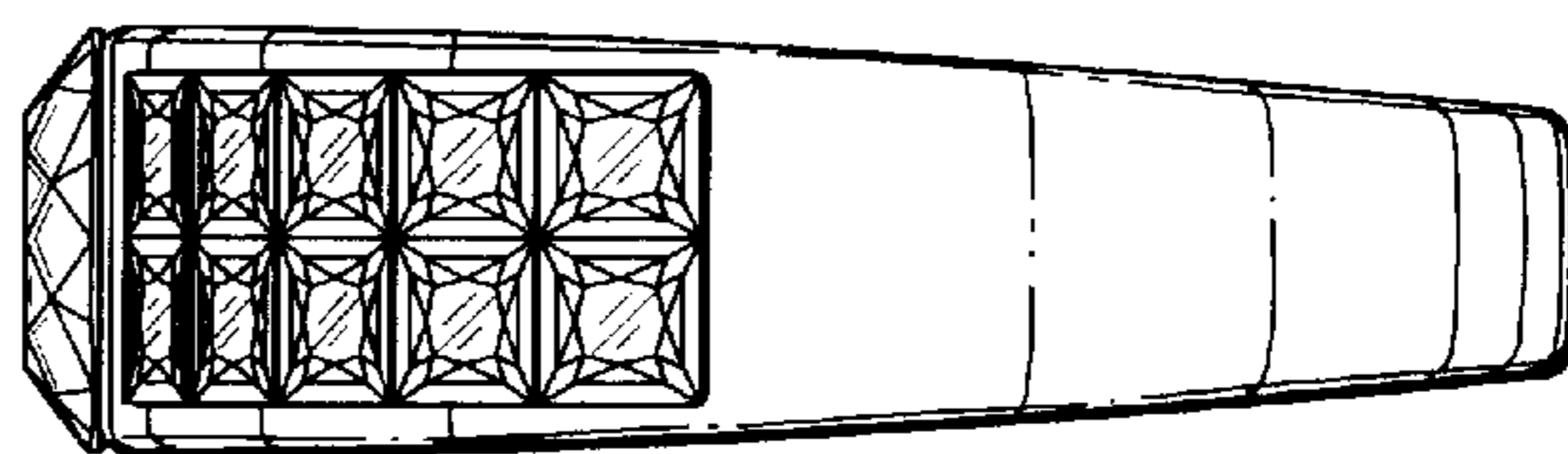


FIG. 21

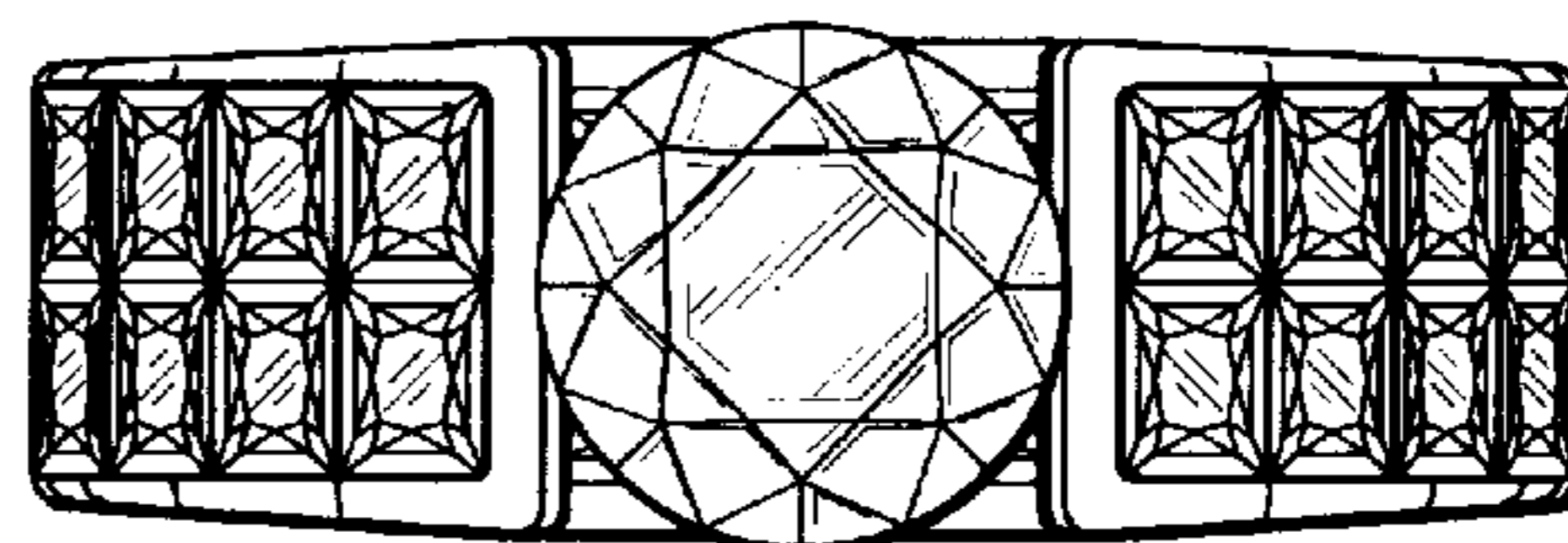


FIG. 22

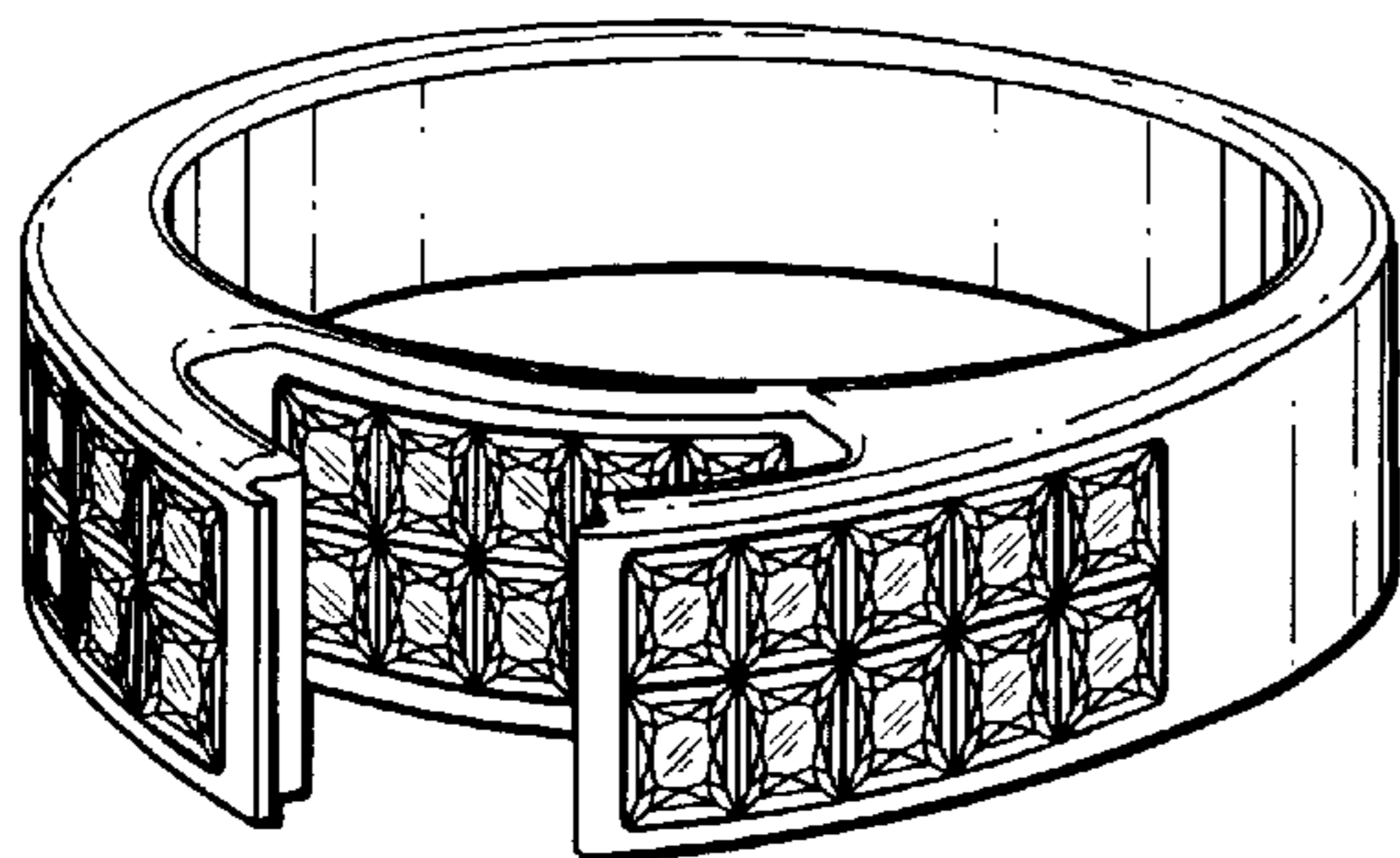


FIG. 24

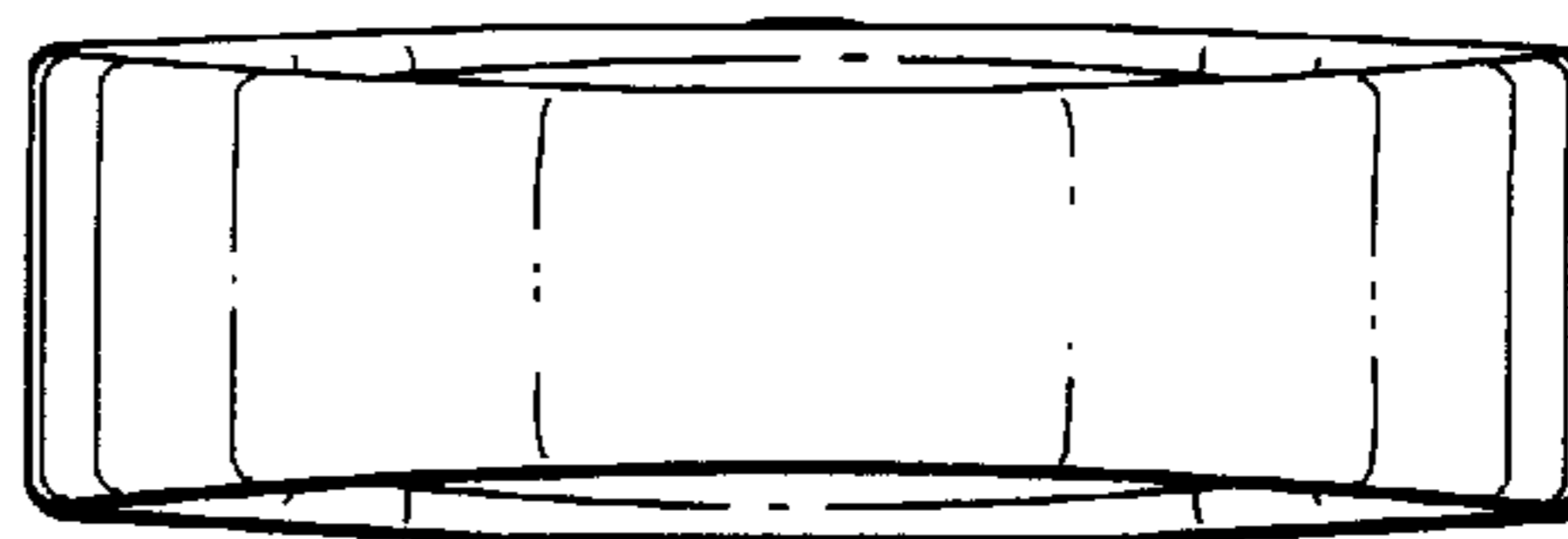


FIG. 23