



US00D432936S

United States Patent [19]

[11] Patent Number: Des. 432,936

Wing et al.

[45] Date of Patent: ** Oct. 31, 2000

[54] WIND CHIME

DESCRIPTION

[76] Inventors: **Patsy R. Wing**, 7676 Comet View Ct., Rescue, Calif. 95672; **Kathryn J. Hartshorn**, 2790 Shady La., Pollock Pines, Calif. 95762

FIG. 1 is a perspective view looking down on a first embodiment of this invention;
 FIG. 2 is a perspective view looking up at the first embodiment of this invention;
 FIG. 3 is a perspective view looking down on a second embodiment of this invention;
 FIG. 4 is a perspective view looking up at the second embodiment of this invention;
 FIG. 5 is a perspective view looking down on a third embodiment of this invention;
 FIG. 6 is a perspective view looking up at the third embodiment of this invention.
 FIG. 7 is a perspective view looking down on the fourth embodiment of this invention;
 FIG. 8 is a perspective view looking up at the fourth embodiment of this invention;
 FIG. 9 is a perspective view looking down on the fifth embodiment of this invention;
 FIG. 10 is a perspective view looking up at the fifth embodiment of this invention;
 FIG. 11 is a perspective view looking down on the sixth embodiment of this invention;
 FIG. 12 is a perspective view looking up at the sixth embodiment of this invention.
 FIG. 13 is a perspective view looking down on the seventh embodiment of this invention; and,
 FIG. 14 is a perspective view looking up at the seventh embodiment of this invention.

[**] Term: 14 Years

[21] Appl. No.: 29/101,243

[22] Filed: Mar. 1, 1999

[51] LOC (7) Cl. 10-05

[52] U.S. Cl. D10/116; D11/141

[58] Field of Search D11/141; D10/116, D10/118, 119, 120, 121; D17/99; 116/148, 150, 155, 156

[56] References Cited

U.S. PATENT DOCUMENTS

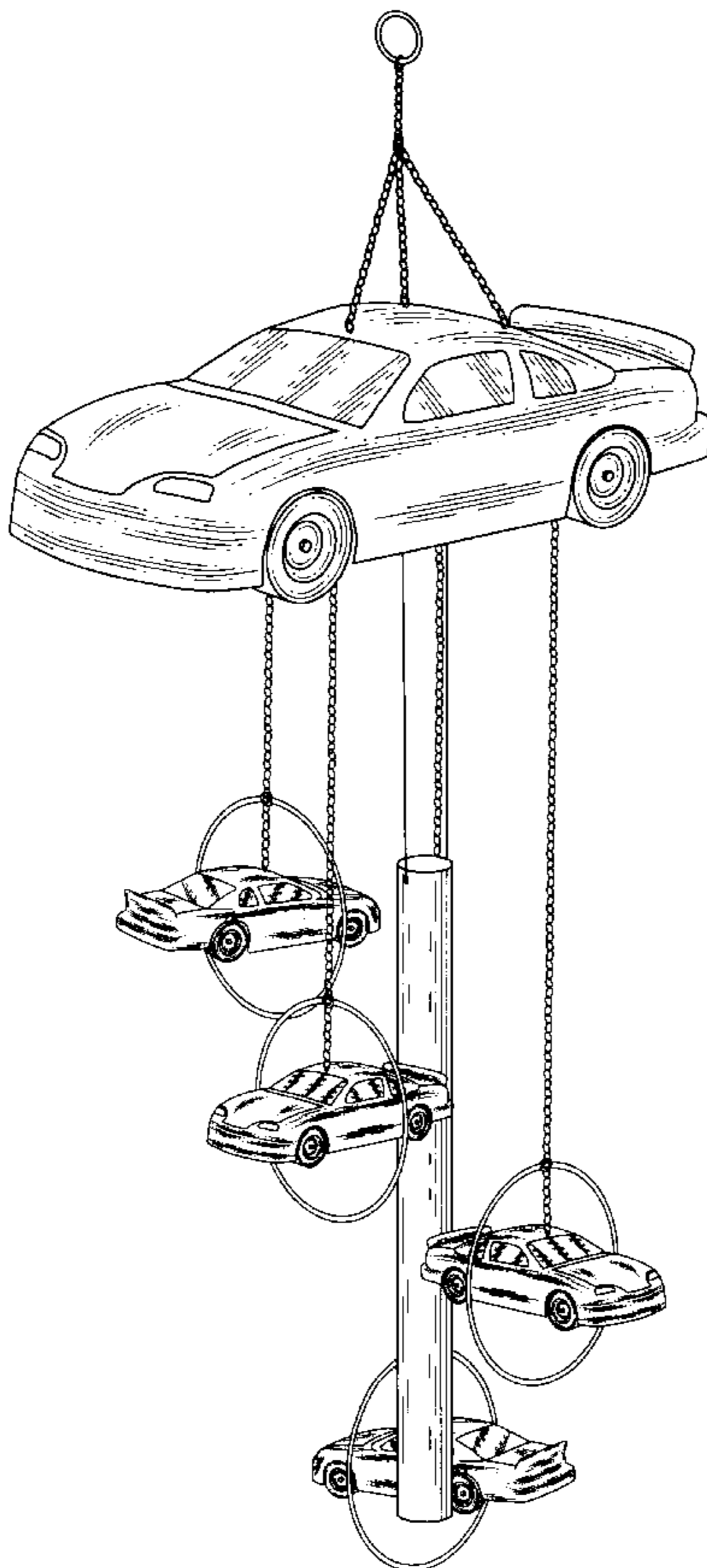
| | | | | |
|------------|--------|----------|-------|---------|
| D. 404,671 | 1/1999 | Stannard | | D10/116 |
| D. 404,672 | 1/1999 | Stannard | | D10/116 |
| D. 405,709 | 2/1999 | Stannard | | D10/116 |
| D. 414,283 | 9/1999 | Gibson | | D10/116 |
| D. 420,613 | 2/2000 | Williams | | D10/116 |

Primary Examiner—Marcus A. Jackson
Attorney, Agent, or Firm—Heisler & Associates

[57] CLAIM

The ornamental design for a wind chime, as shown and described.

1 Claim, 6 Drawing Sheets



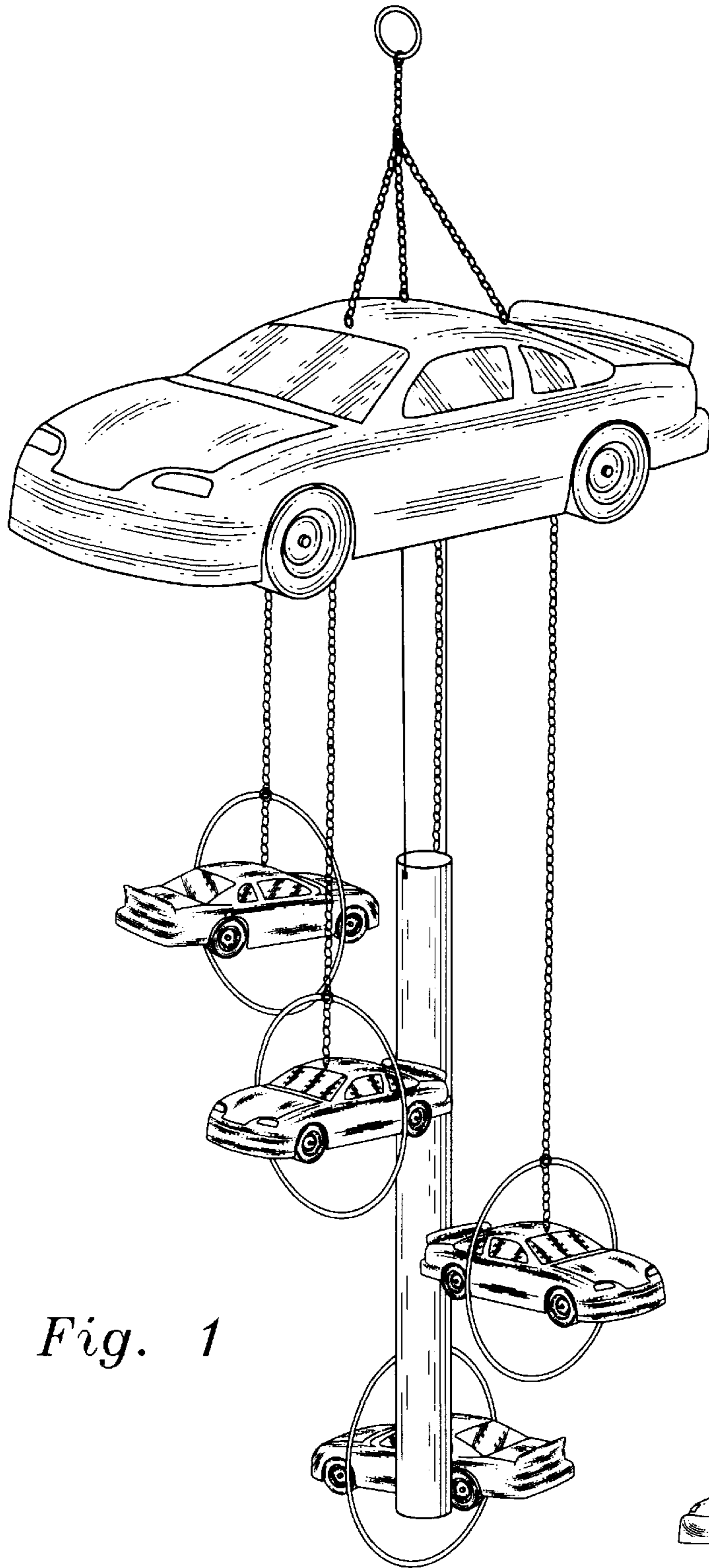


Fig. 1

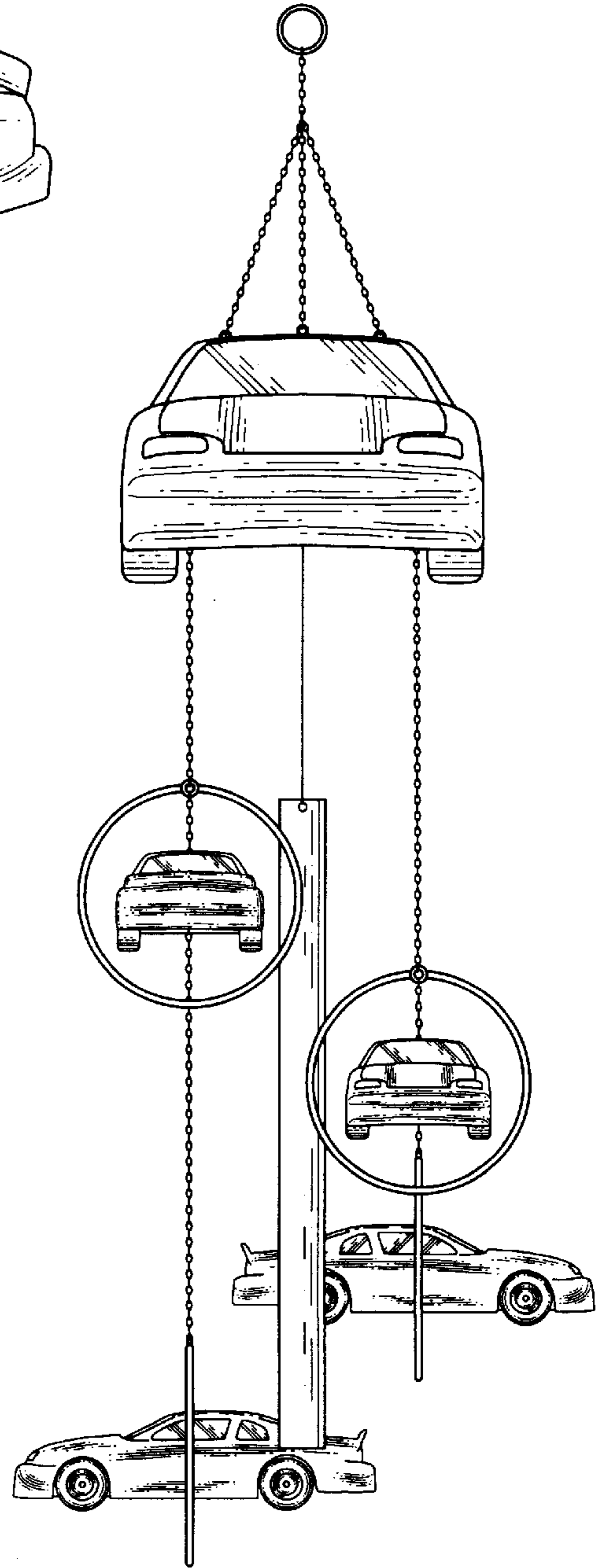
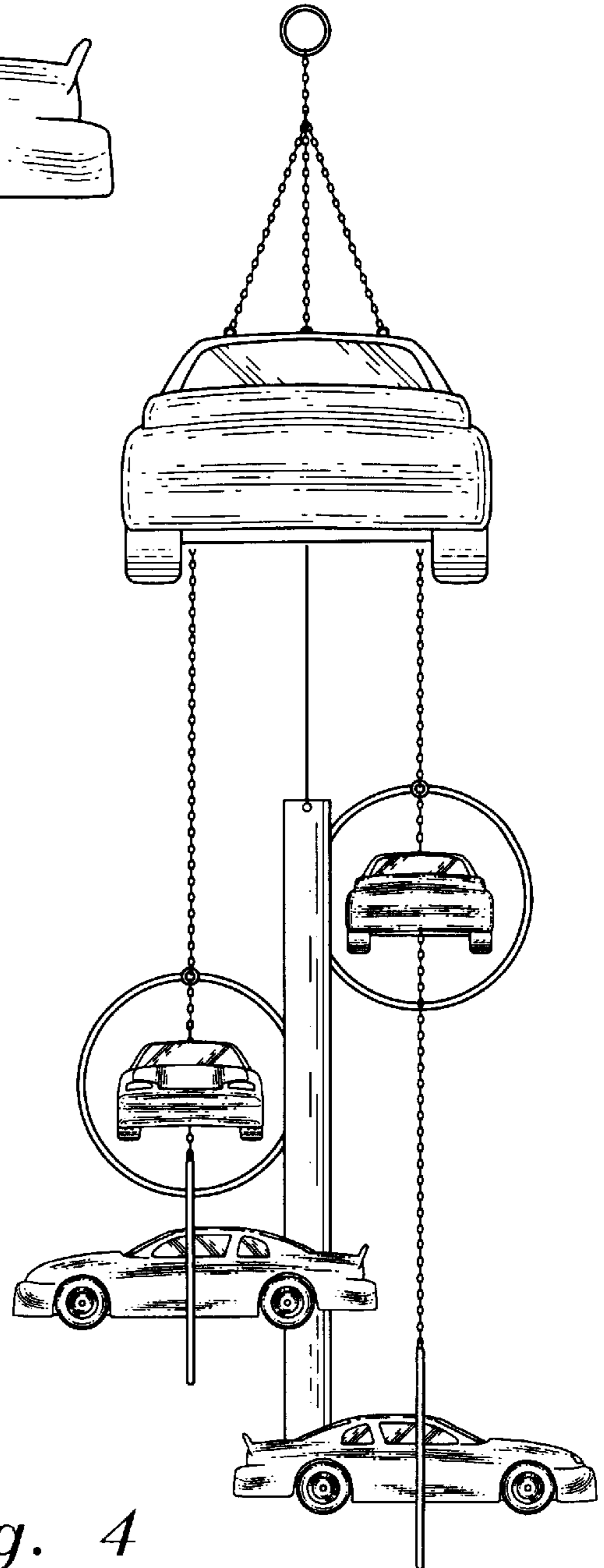
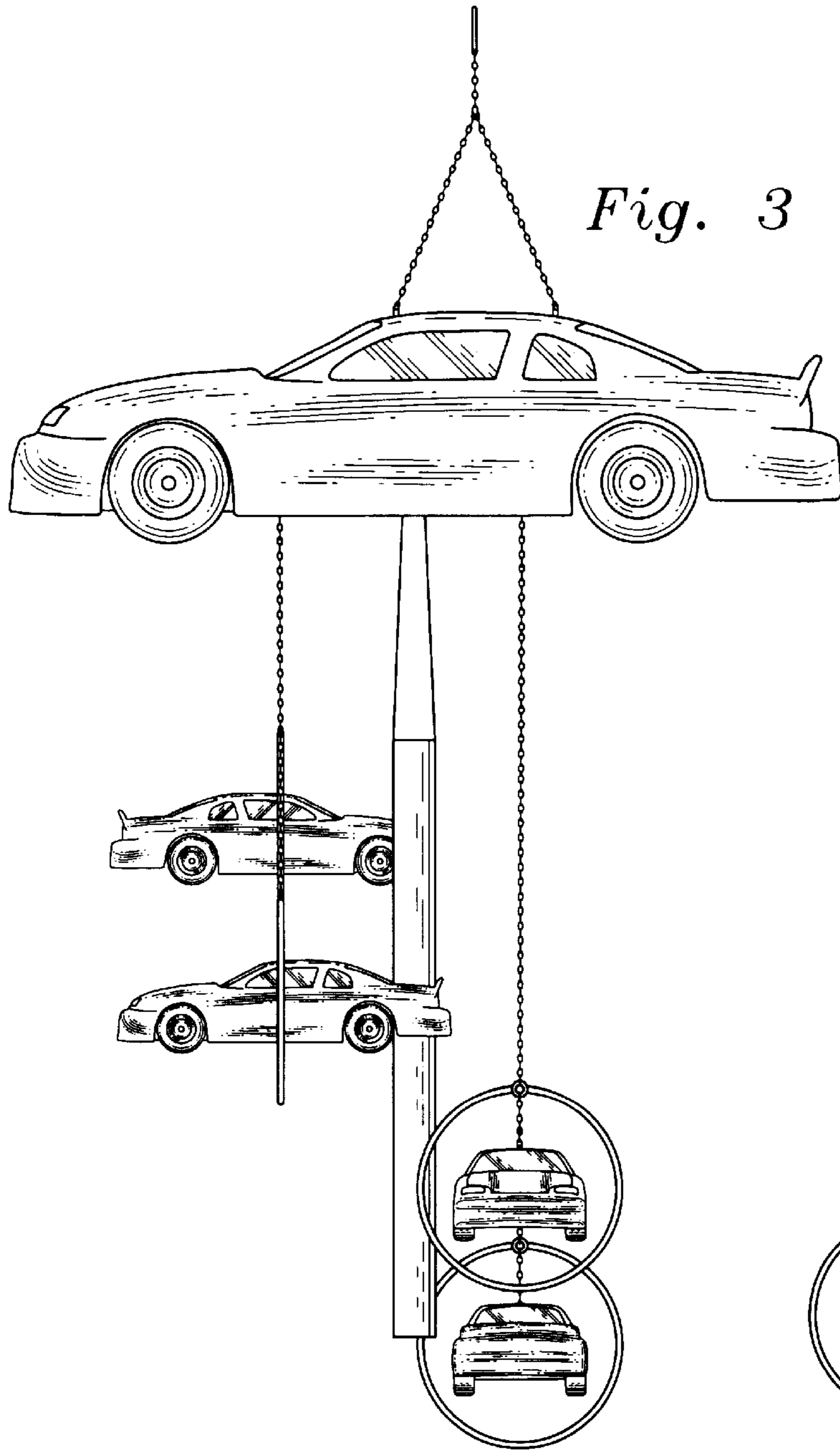


Fig. 2



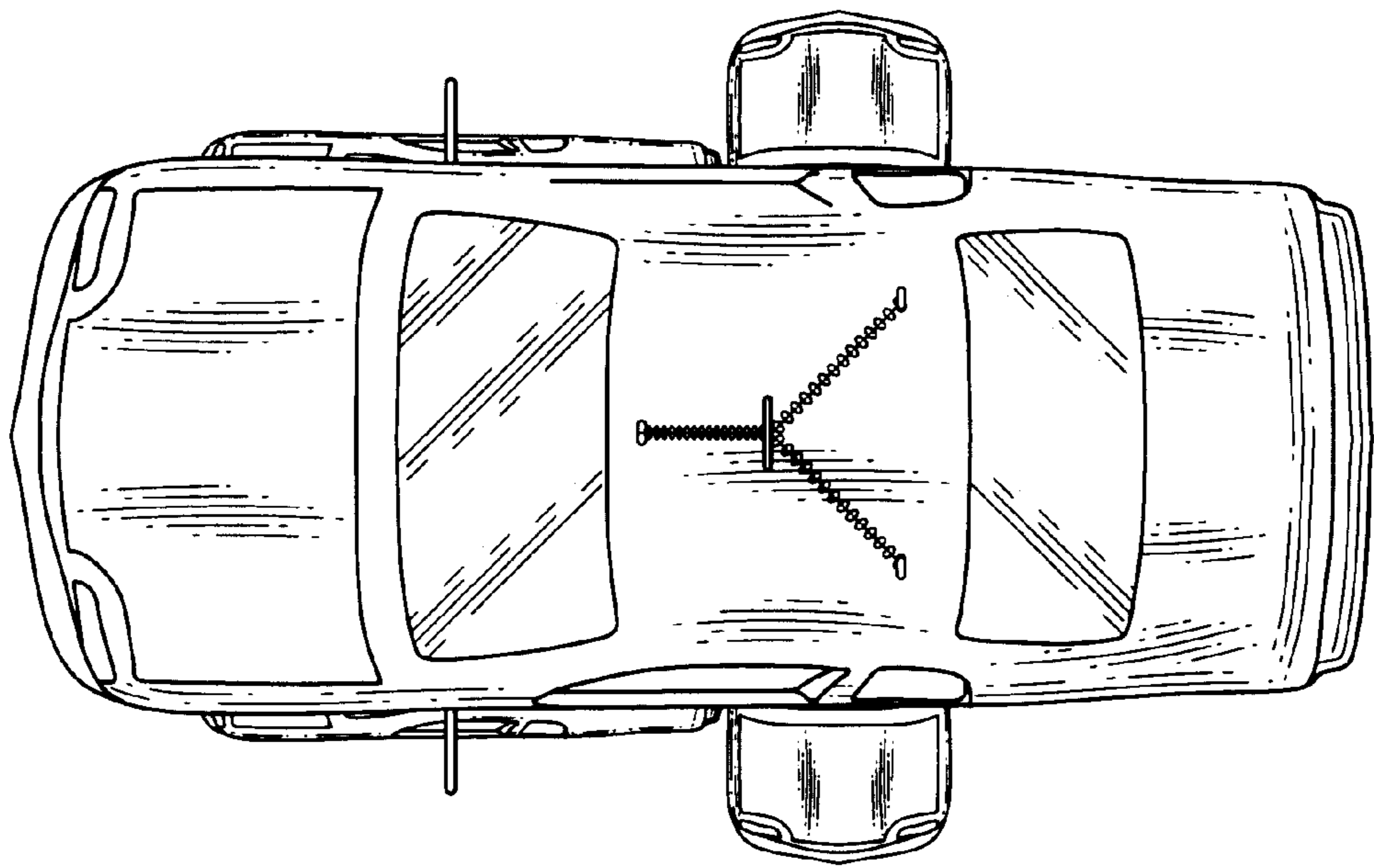


Fig. 5

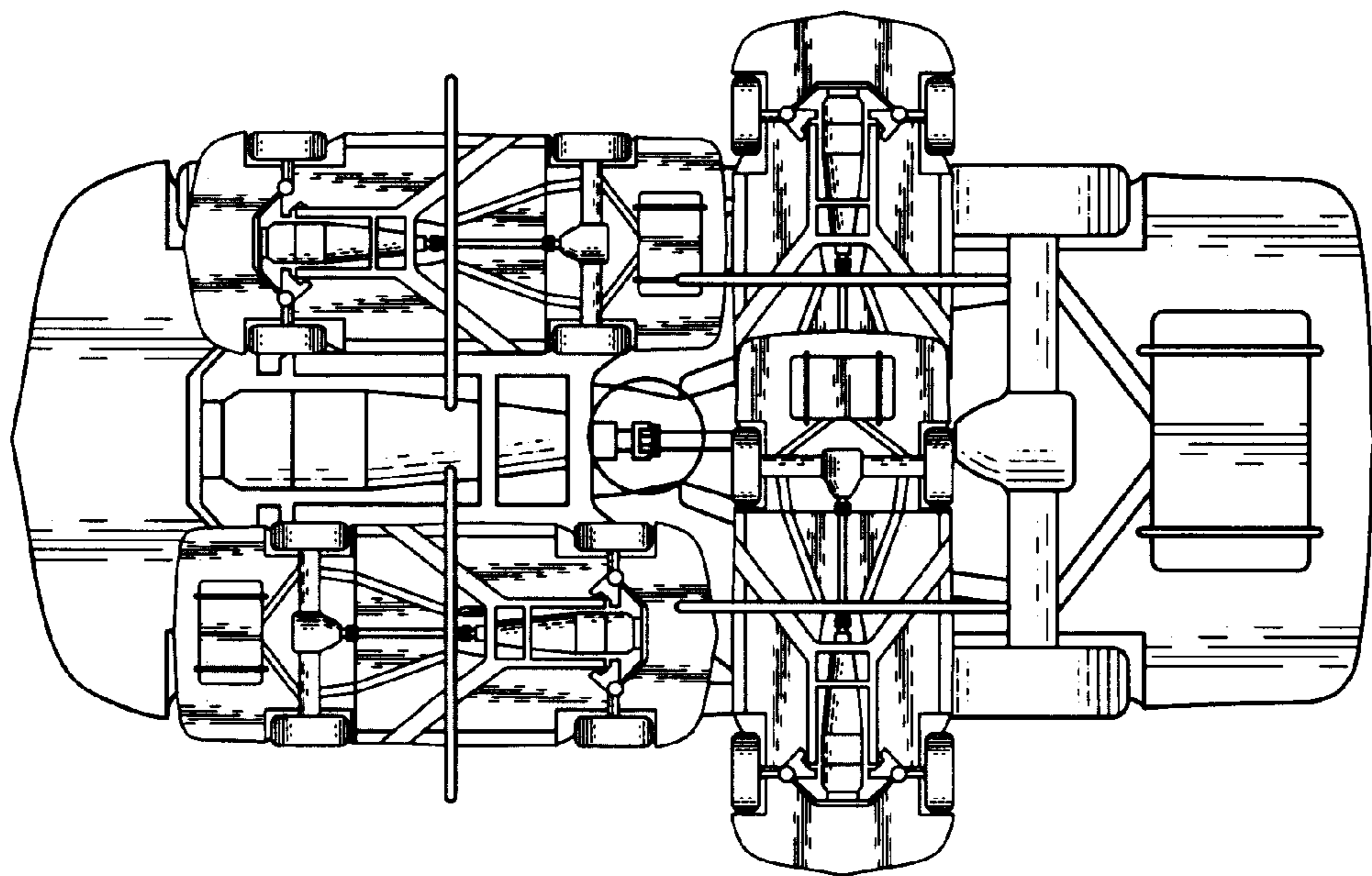


Fig. 6

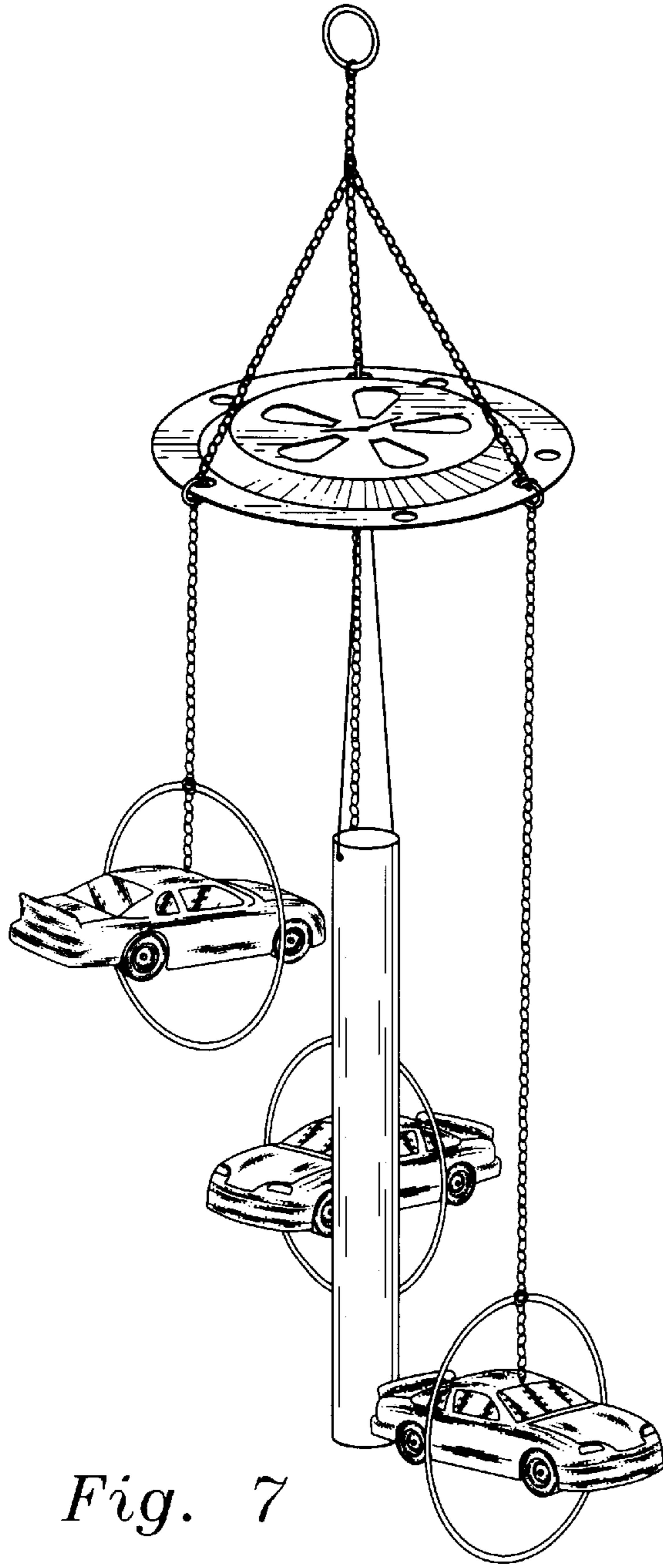


Fig. 7

Fig. 8

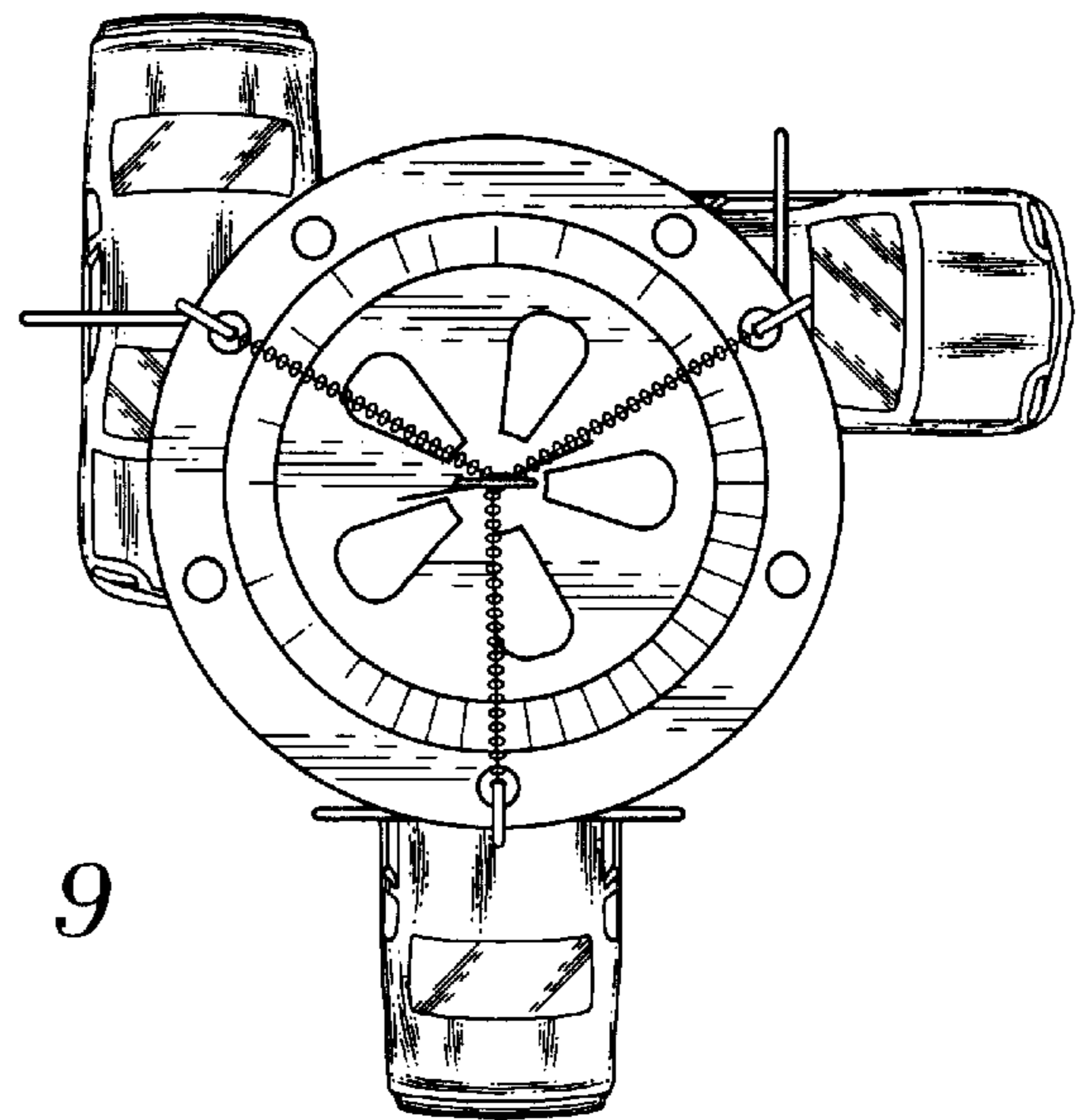
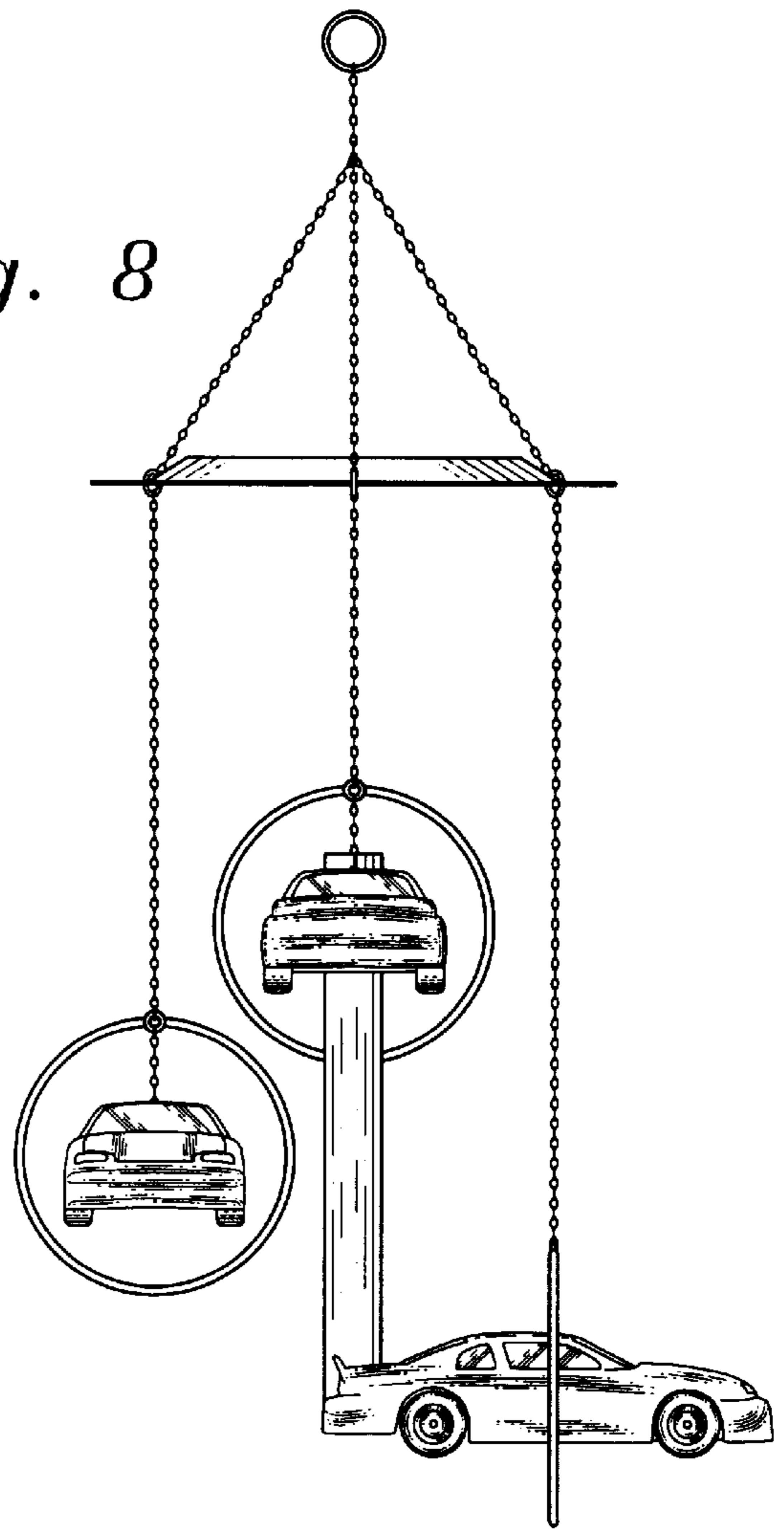


Fig. 9

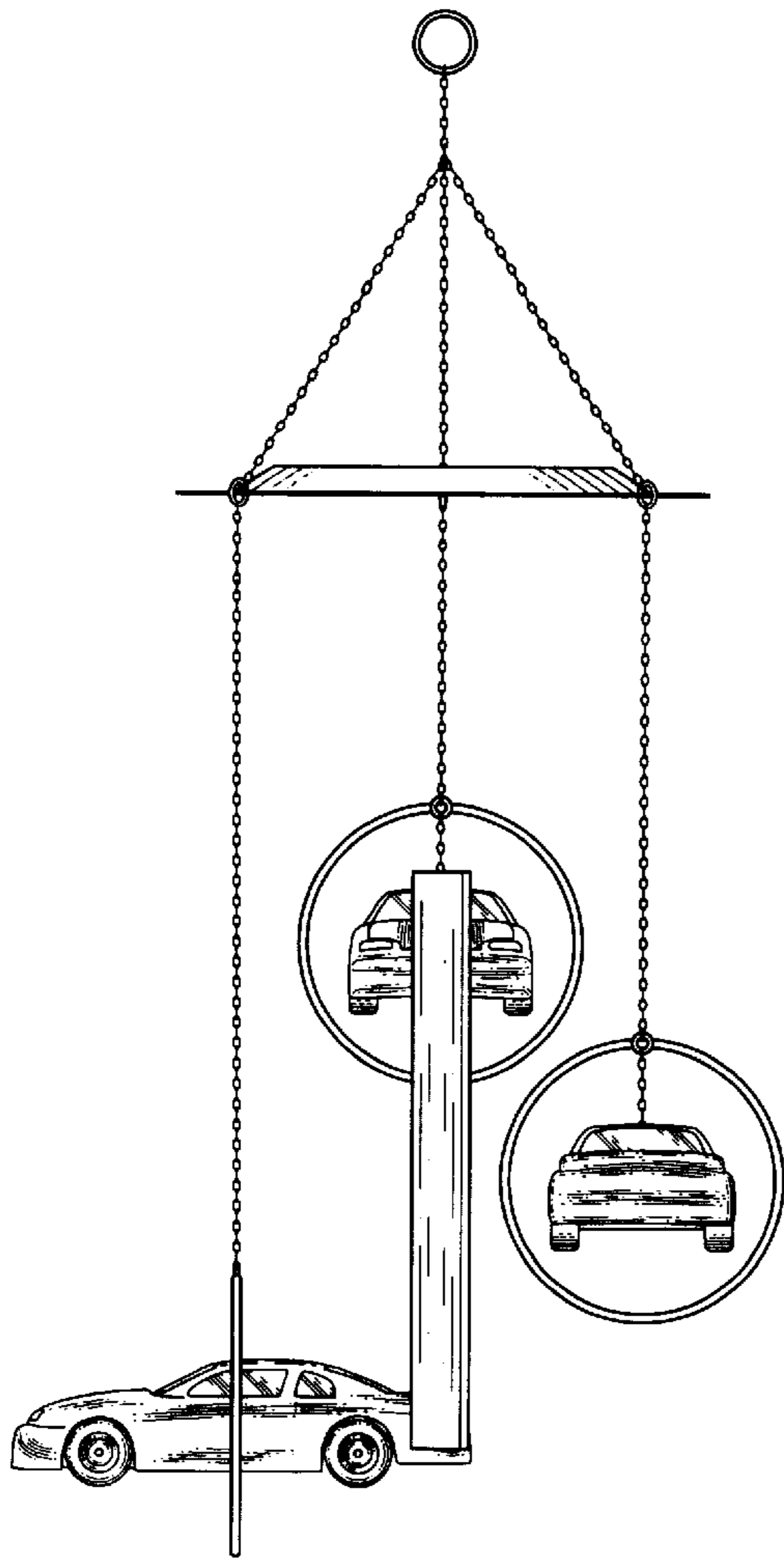


Fig. 10

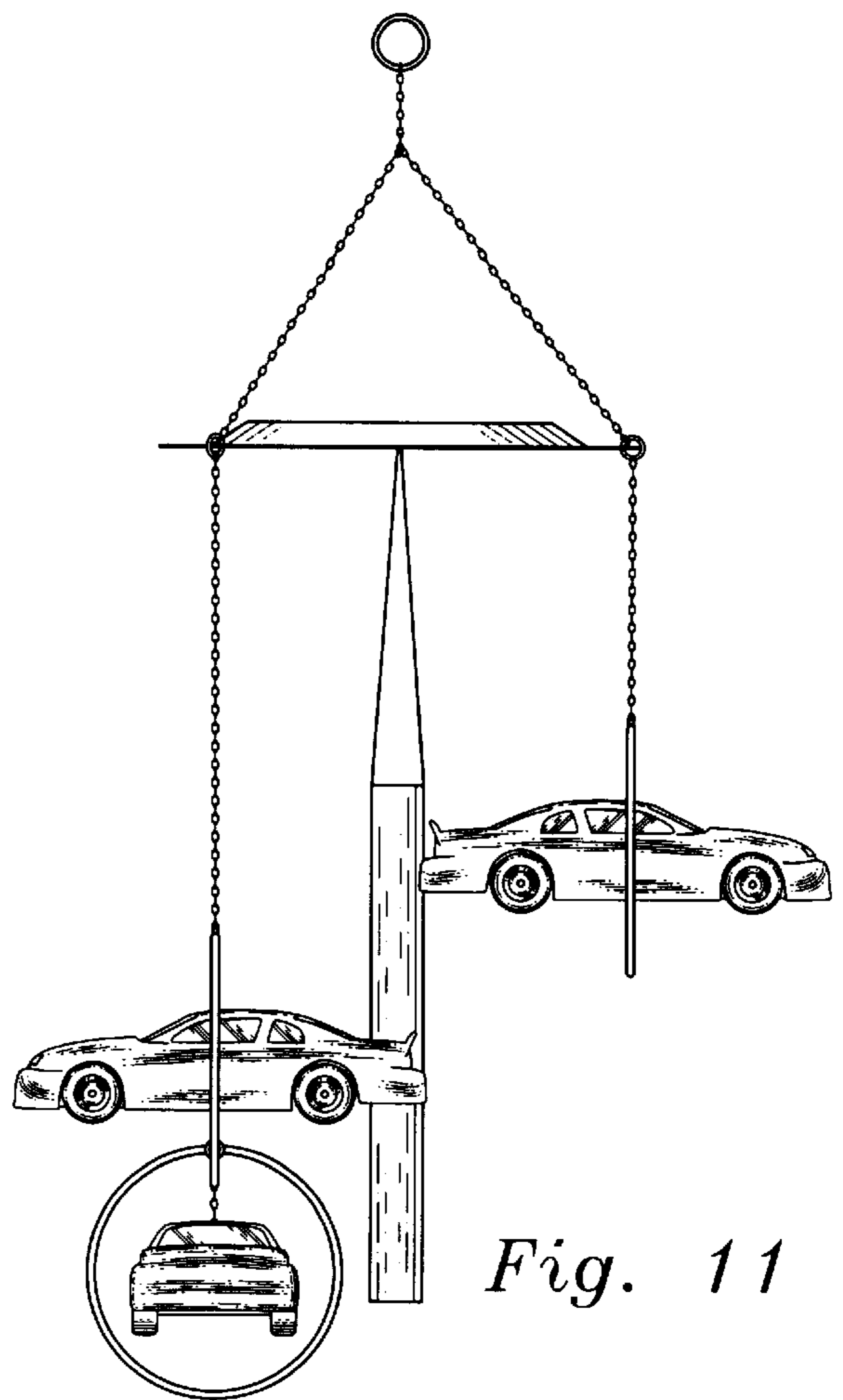


Fig. 11

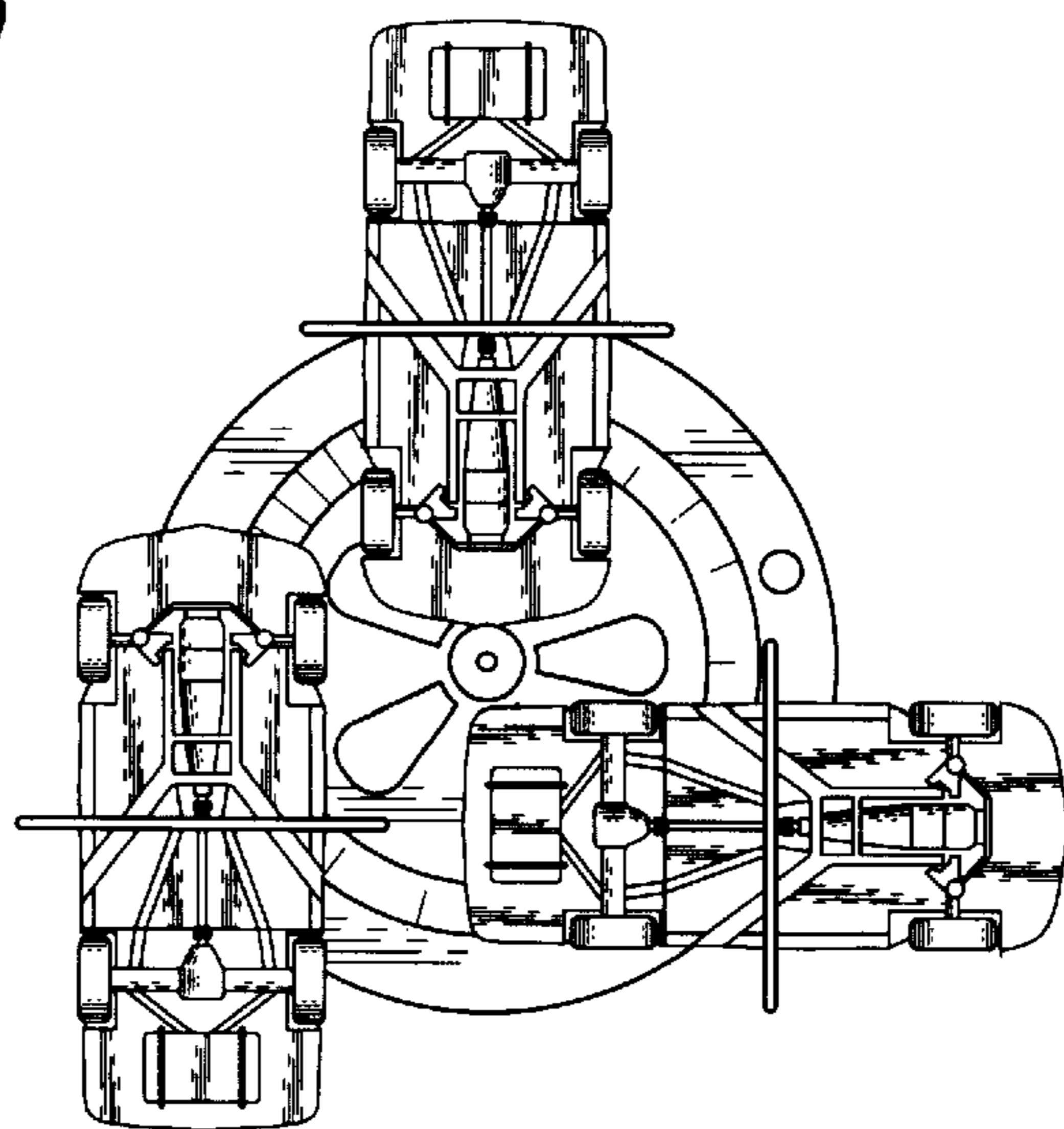


Fig. 12

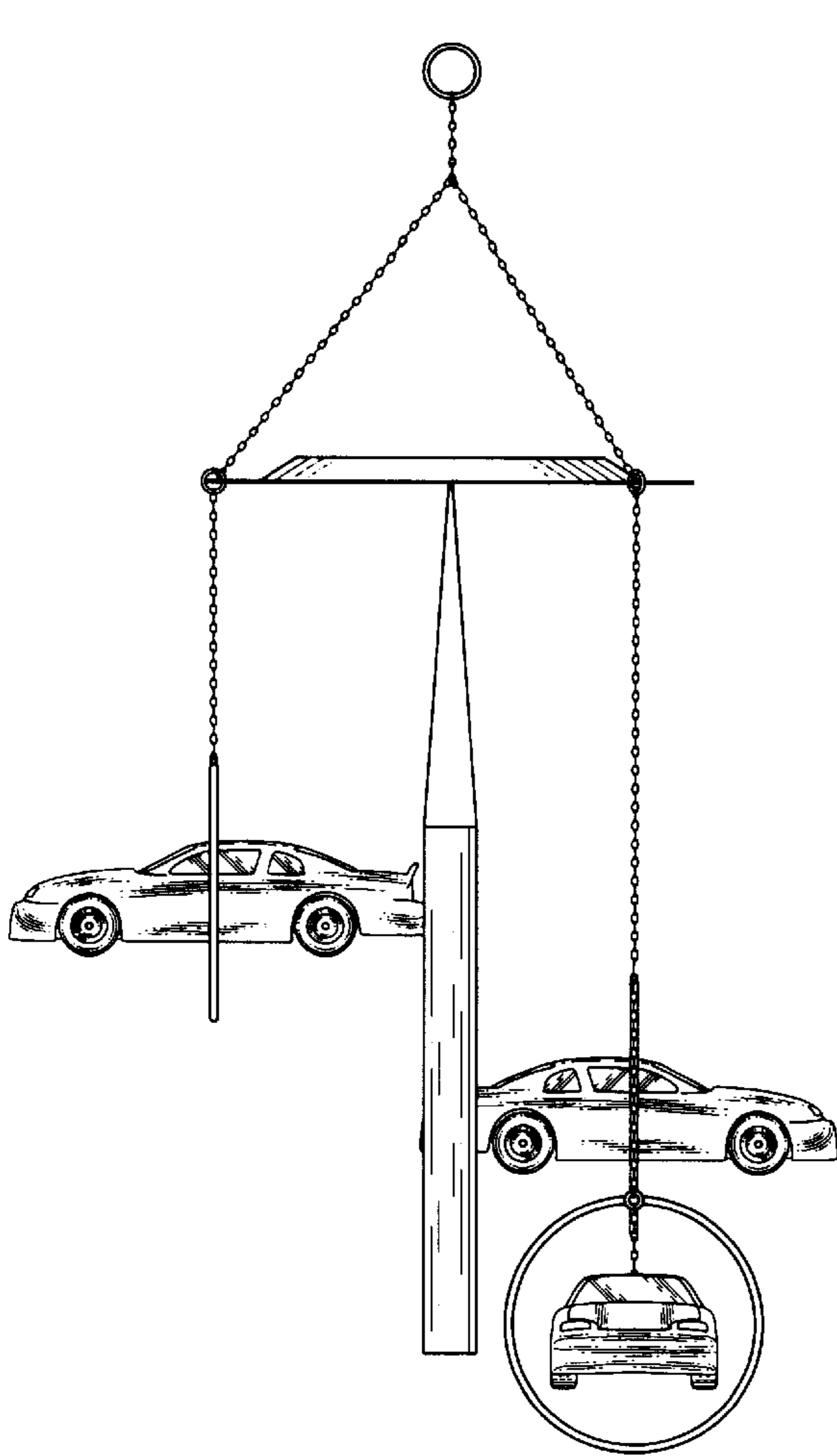


Fig. 13

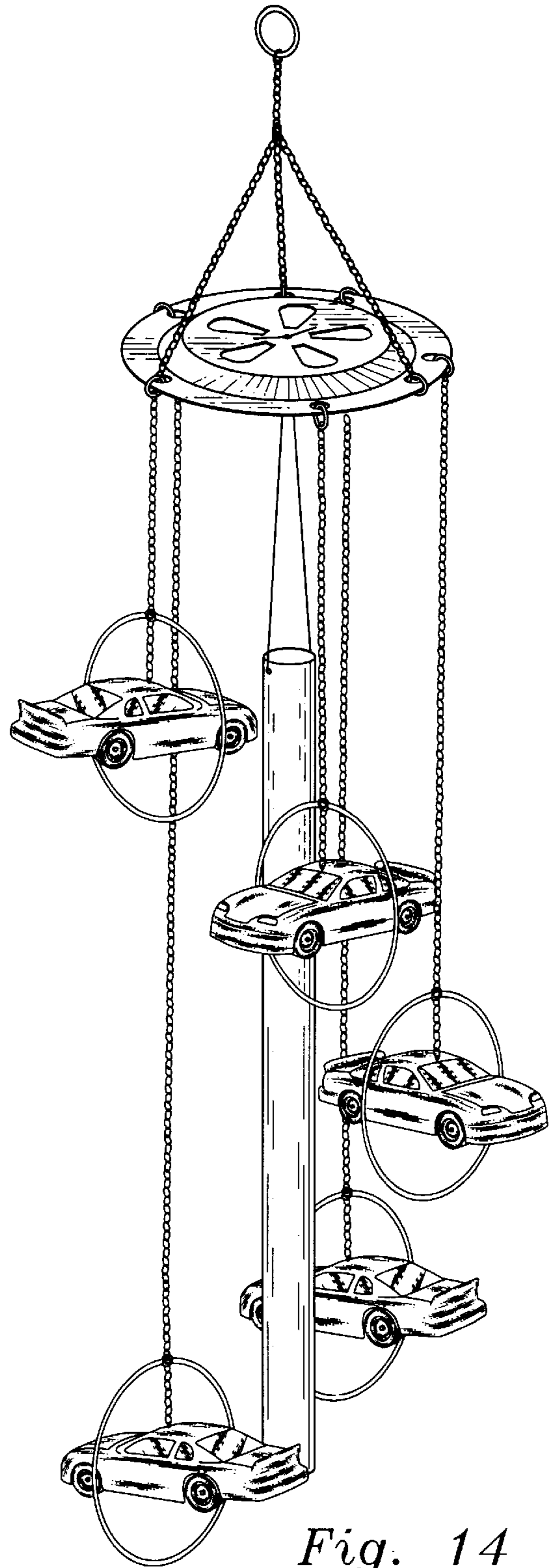


Fig. 14