



US00D432935S

United States Patent [19]

[11] **Patent Number: Des. 432,935**

Bent et al.

[45] **Date of Patent: ** Oct. 31, 2000**

[54] **HANDLE FOR TRAFFIC DELINEATOR**

[57] **CLAIM**

[75] Inventors: **Bruce C. Bent; James A. Bent**, both of Huntington Beach, Calif.

The ornamental design for a handle for traffic delineator, as shown.

[73] Assignee: **Bent Manufacturing Company**, Huntington Beach, Calif.

DESCRIPTION

[**] Term: **14 Years**

FIG. 1 is a front perspective view of a handle for traffic delineator embodying our new design and showing the handle on a traffic delineation cylinder for illustrative purposes only and forming no part of the claimed design; FIG. 2 is a close-up perspective view thereof; FIG. 3 is a top view thereof; FIG. 4 is a first side view thereof; FIG. 5 is a second side view thereof; FIG. 6 is a bottom view thereof; FIG. 7 is a front perspective view of a second embodiment of a handle for traffic delineator embodying our new design and showing the handle on a traffic delineation cone; FIG. 8 is a close-up perspective view thereof; FIG. 9 is a top view thereof; FIG. 10 is a first side view thereof; FIG. 11 is a second side view thereof; and, FIG. 12 is a bottom view thereof.

[21] Appl. No.: **29/119,047**

[22] Filed: **Feb. 23, 2000**

[51] **LOC (7) Cl.** **10-05**

[52] **U.S. Cl.** **D10/113**

[58] **Field of Search** D10/109, 111, D10/113, 114; 116/63 C, 63 P, 63 R; 404/4-16; 40/611, 612

[56] **References Cited**

U.S. PATENT DOCUMENTS

- D. 406,543 3/1999 Brown et al. D10/113
- D. 412,131 7/1999 Bent et al. D10/113

Primary Examiner—Marcus A. Jackson
Attorney, Agent, or Firm—J. Harrison Colter

1 Claim, 4 Drawing Sheets

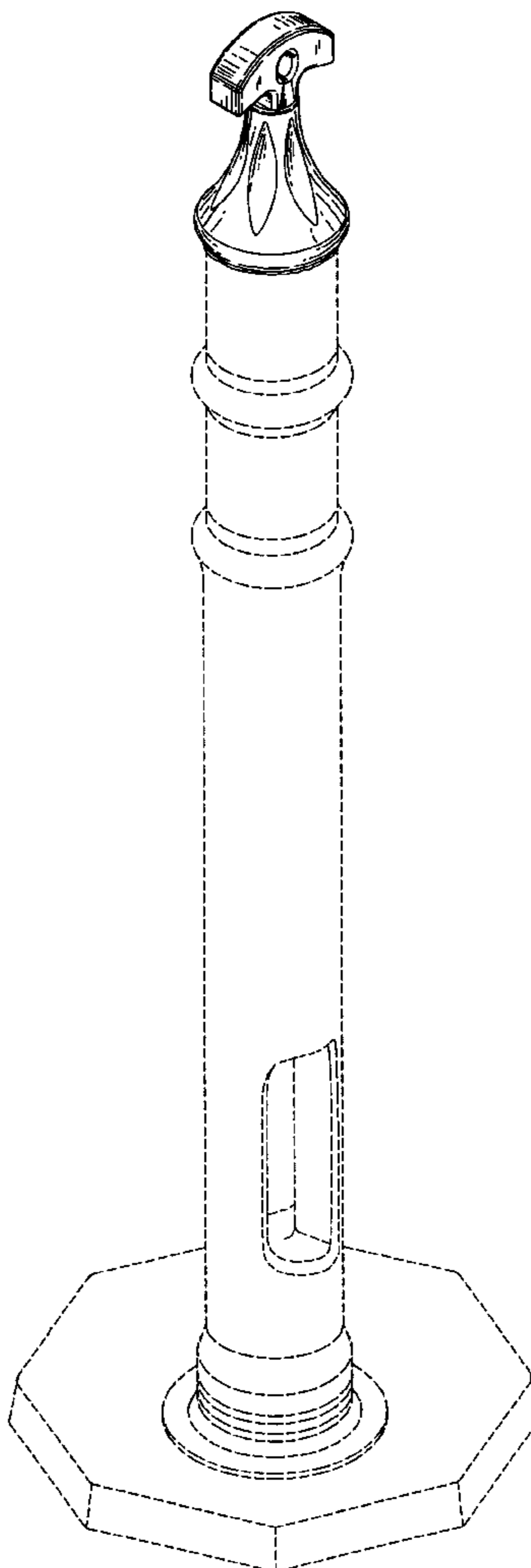


Fig. 1

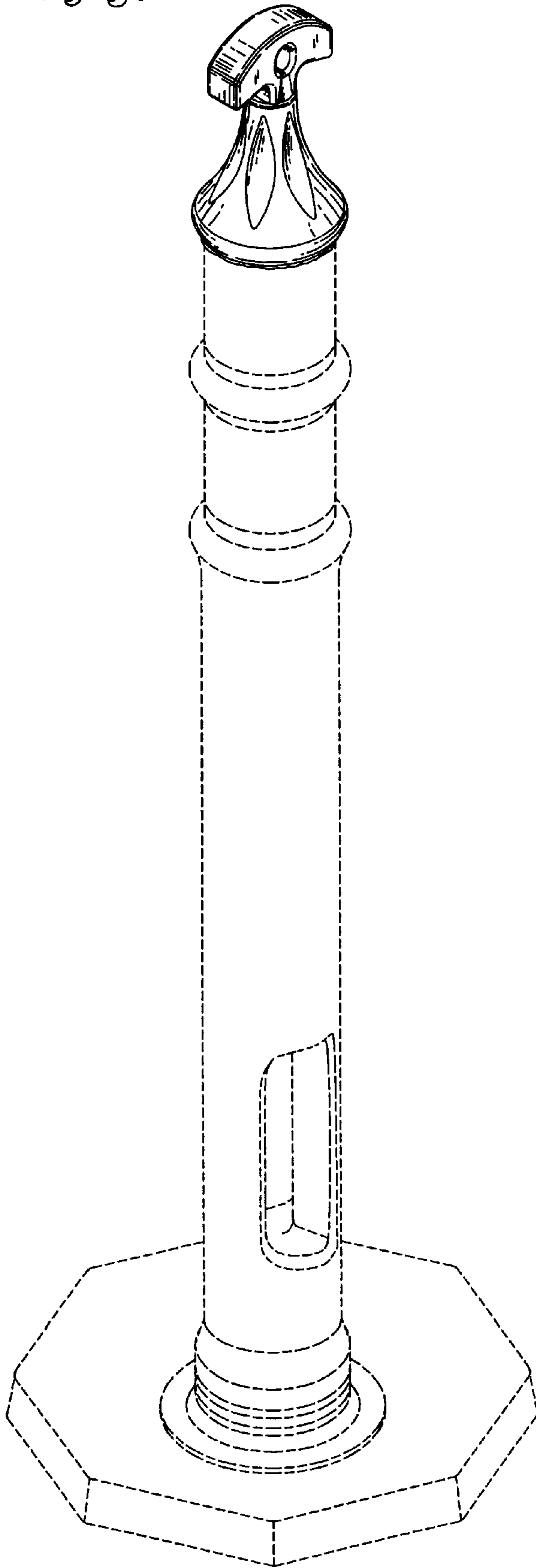


Fig. 2

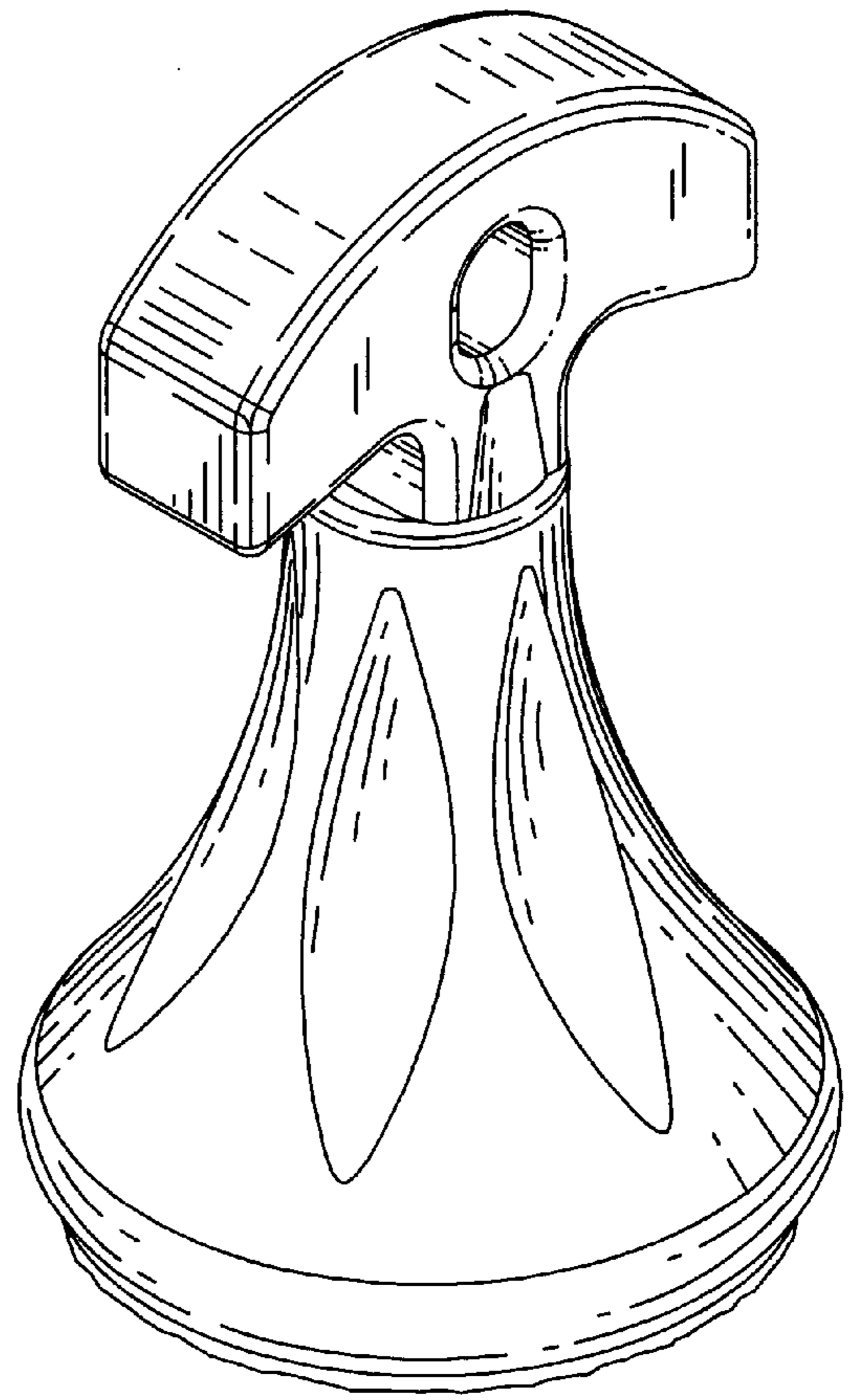


Fig. 3

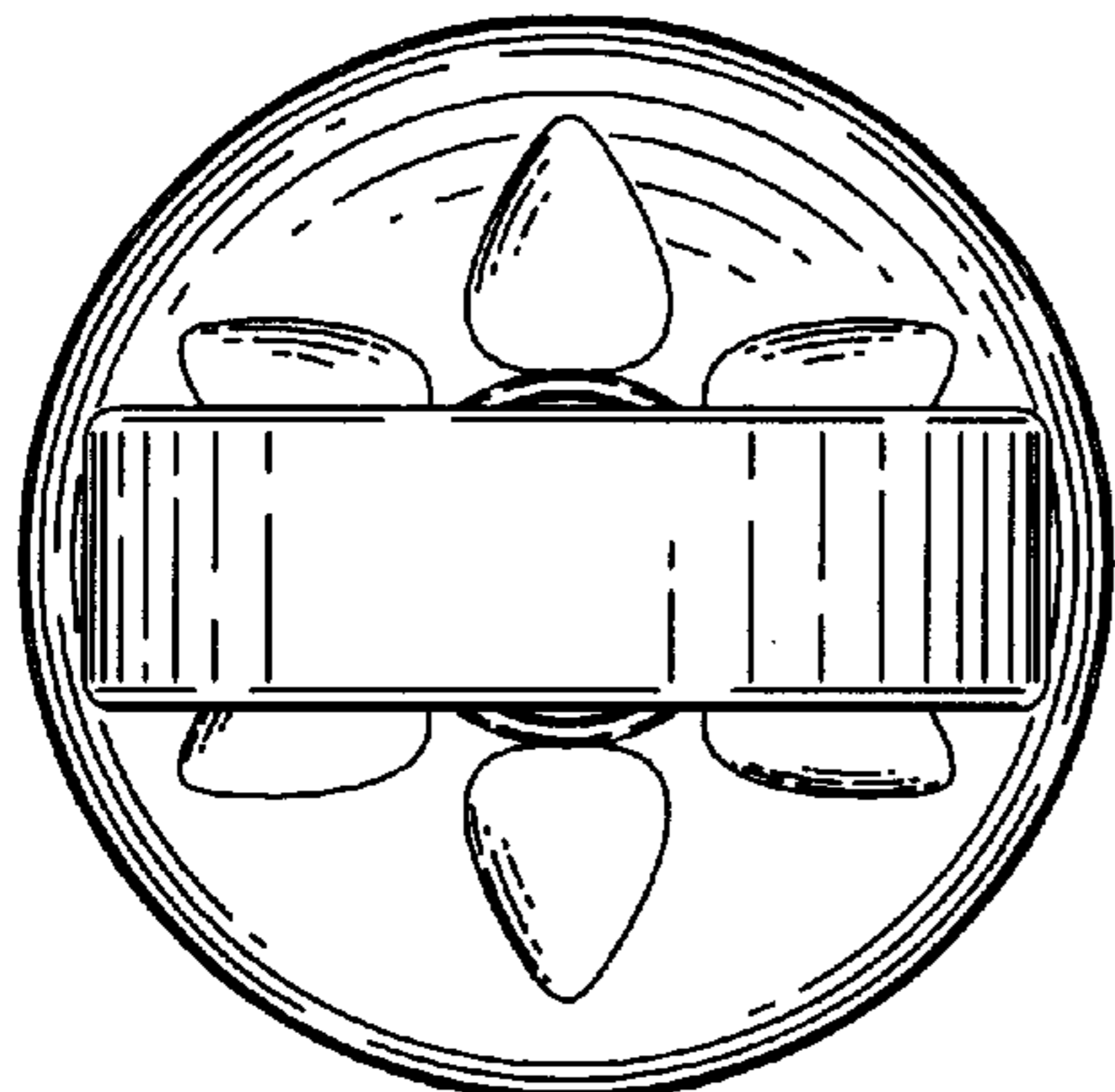


Fig. 4

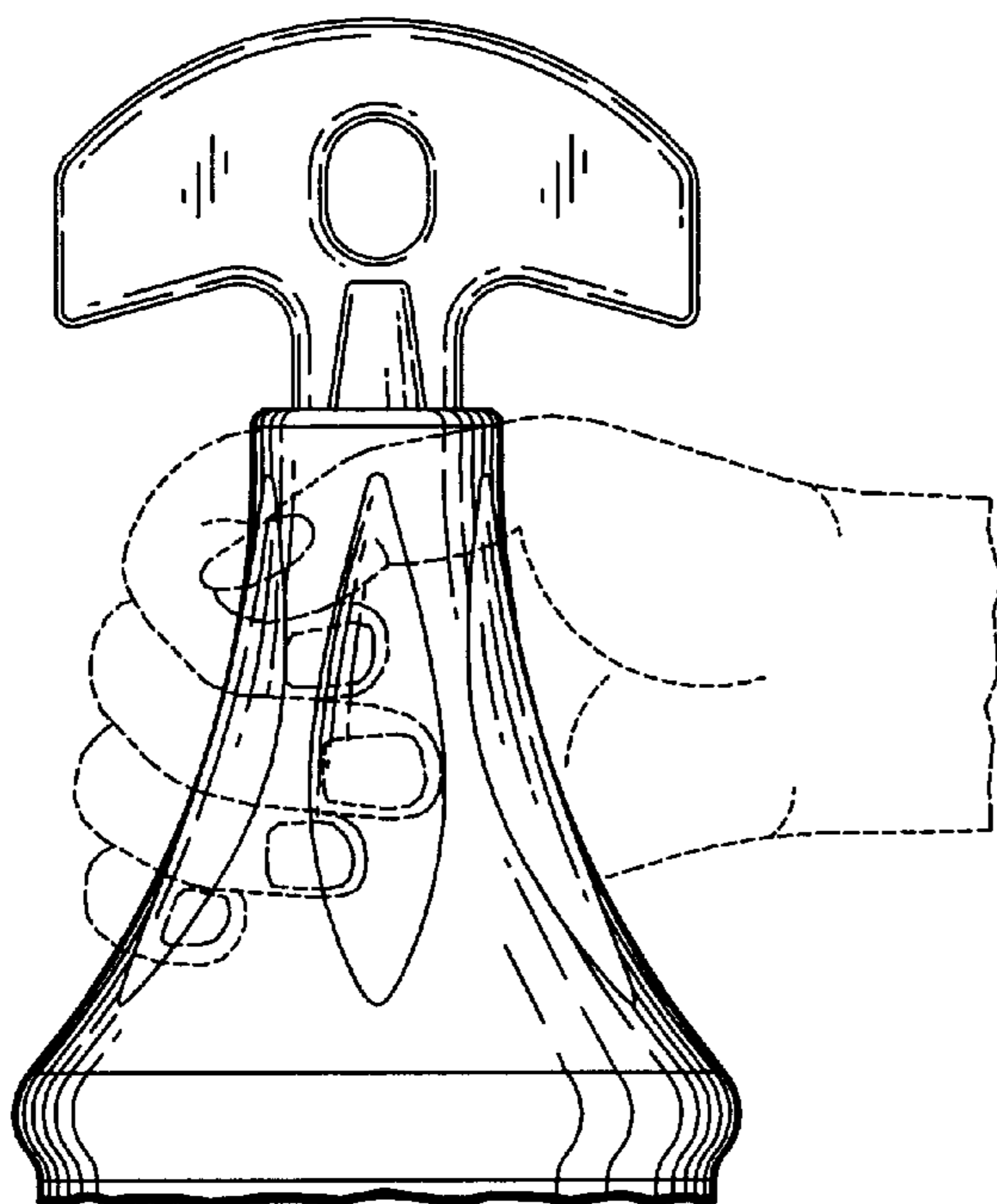


Fig. 5

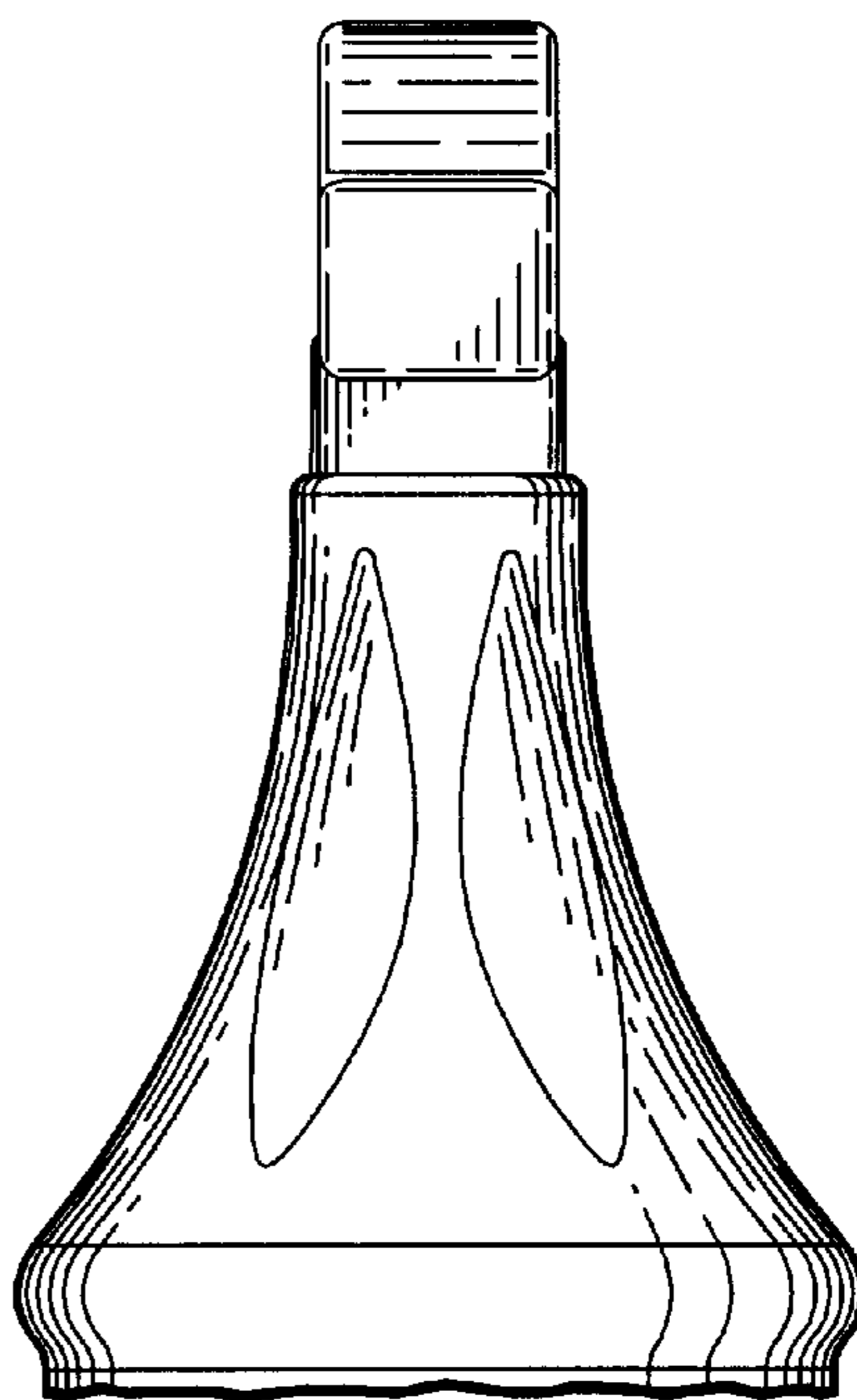


Fig. 6

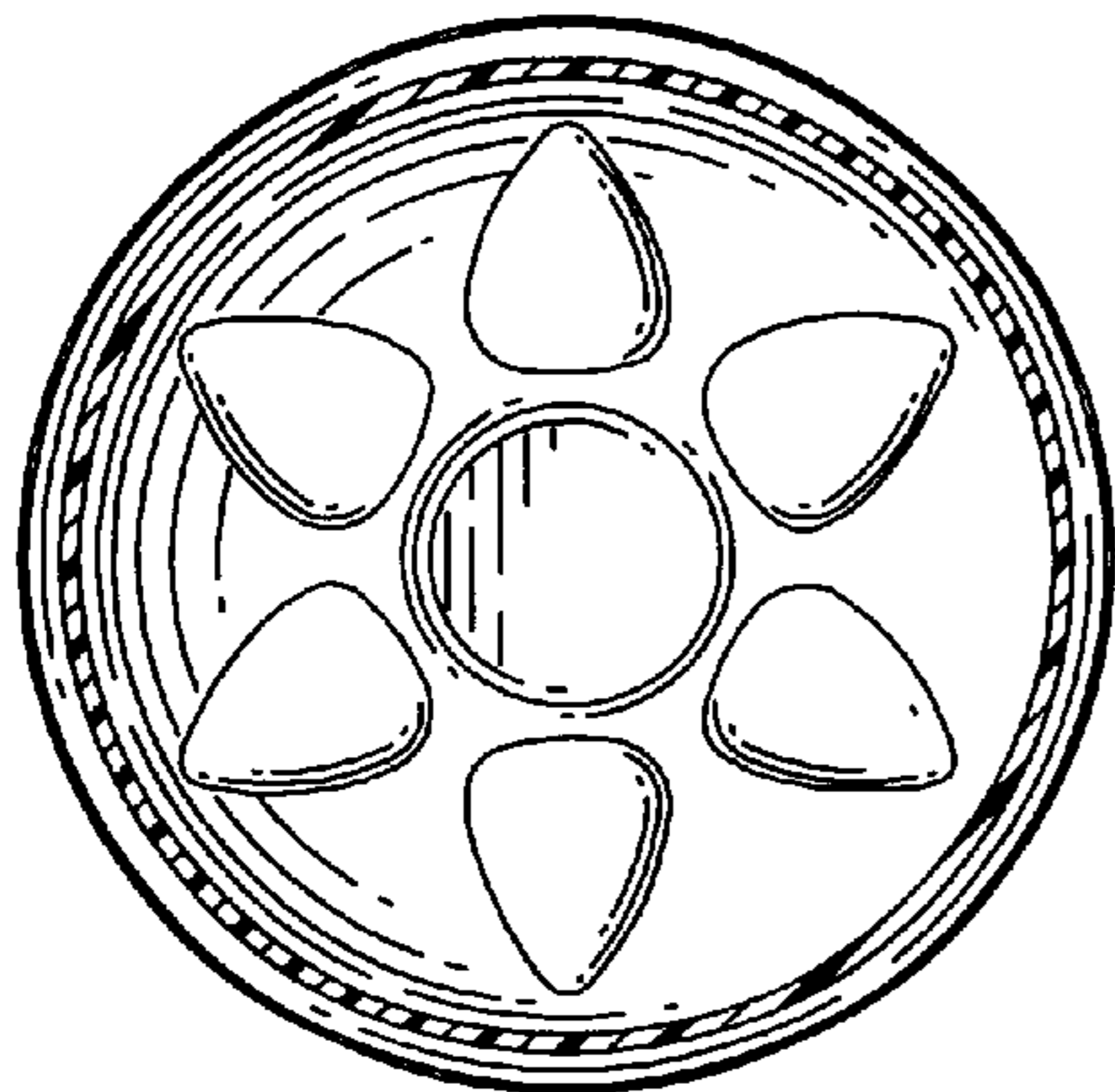


Fig. 7

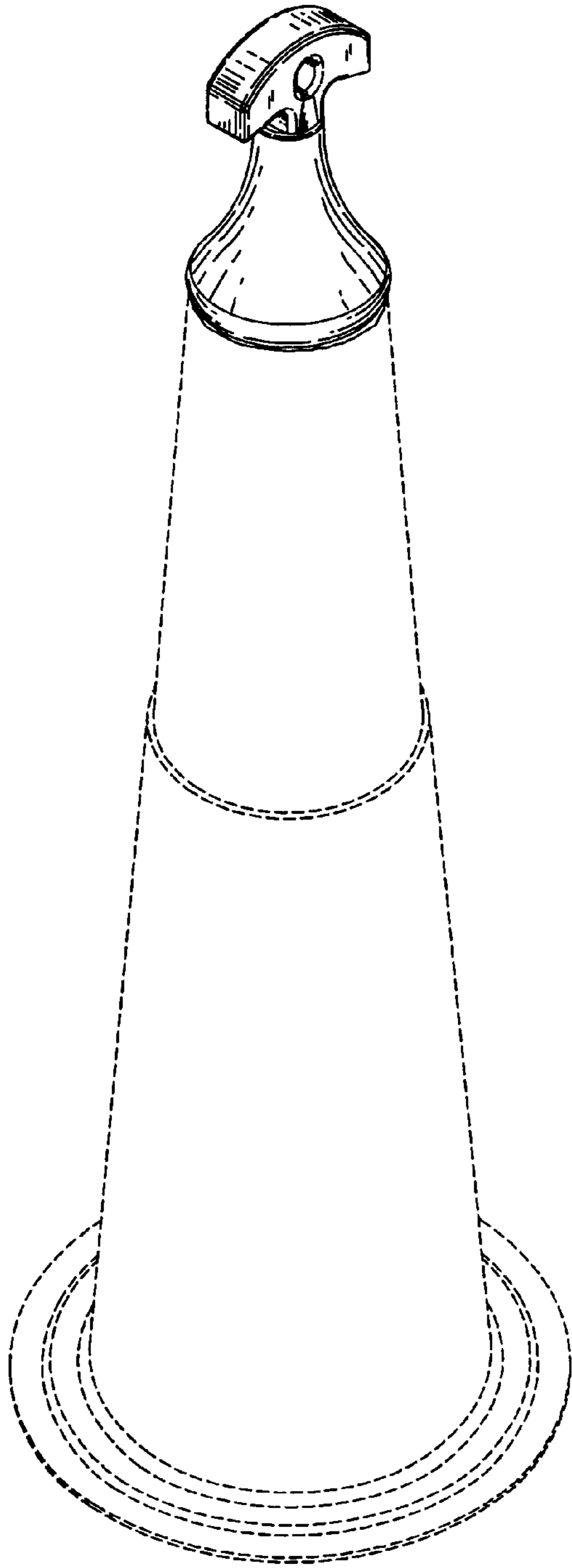


Fig. 8

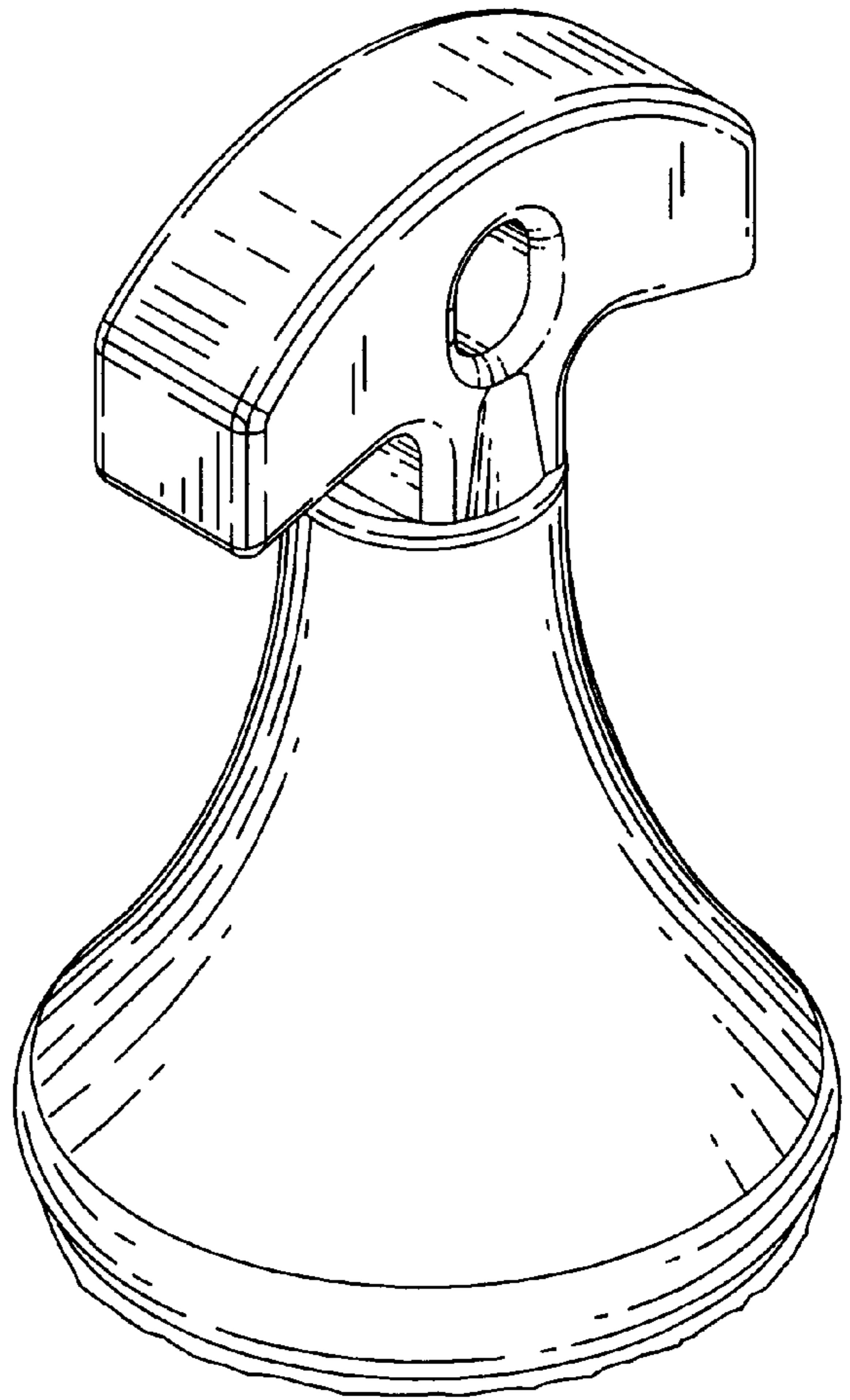


Fig. 9

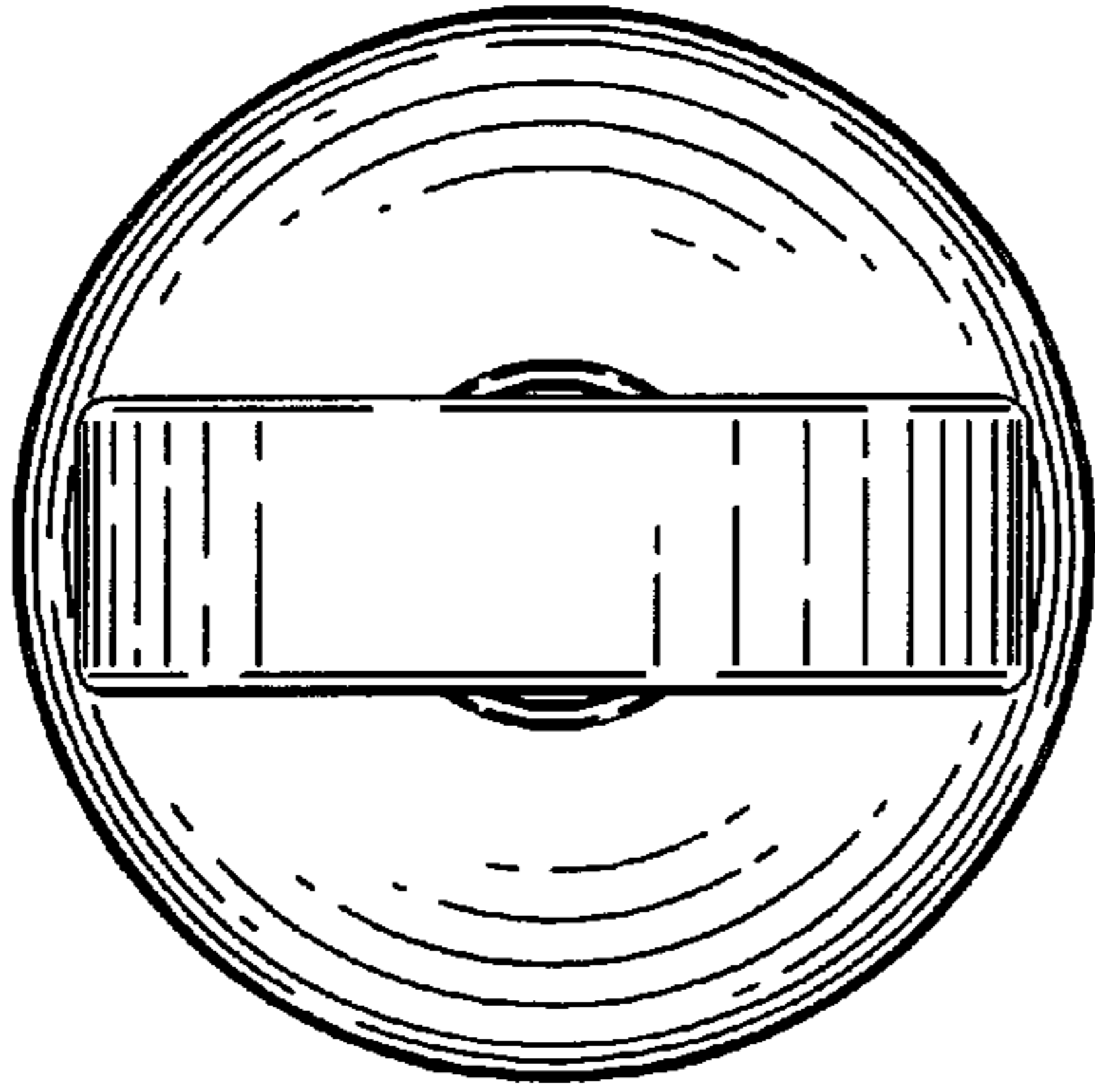


Fig. 10

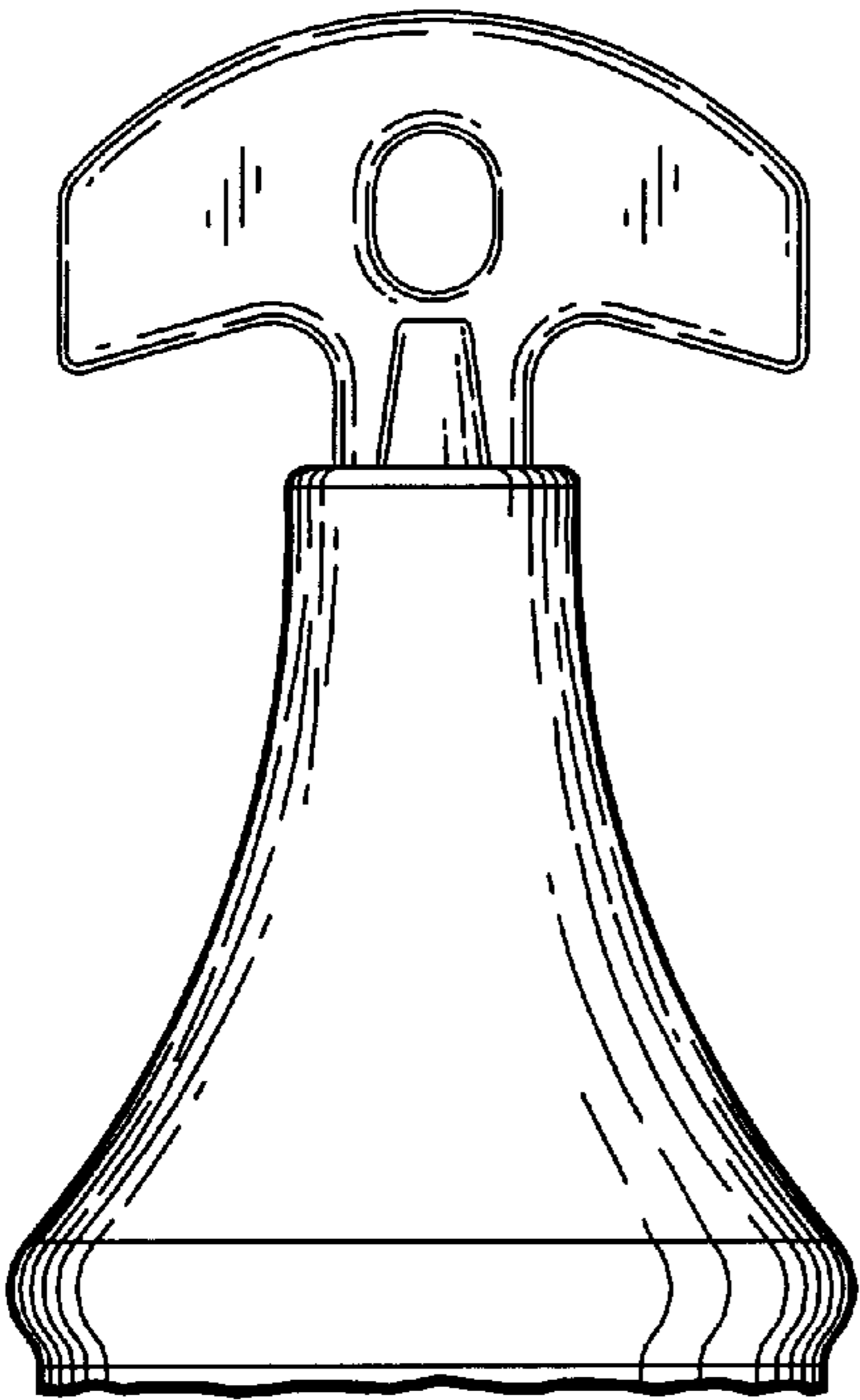


Fig. 11

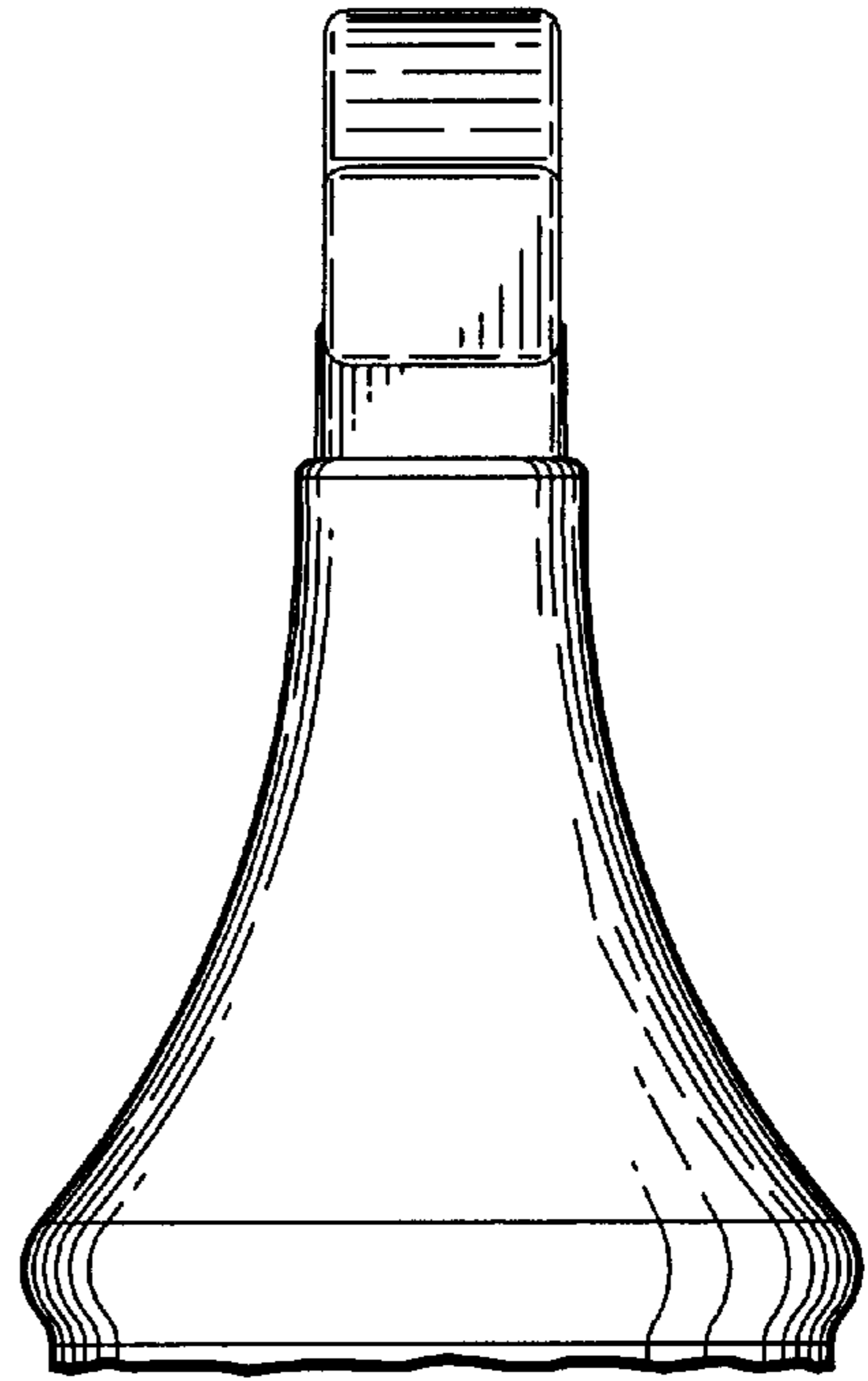


Fig. 12

