



US00D432933S

United States Patent [19] Einck

[11] Patent Number: Des. 432,933

[45] Date of Patent: ** Oct. 31, 2000

[54] SEPTIC PUMP CONTROL HOUSING

DESCRIPTION

[76] Inventor: **Virgil A. Einck**, 326 N. Lake Rd., #2B,
Oconomowoc, Wis. 53066

[**] Term: **14 Years**

[21] Appl. No.: **29/115,780**

[22] Filed: **Dec. 21, 1999**

[51] LOC (7) Cl. **10-04**

[52] U.S. Cl. **D10/101; D10/49**

[58] Field of Search D10/101, 49; 340/618,
340/623, 624; 174/50, 51, 52.1

[56] References Cited

U.S. PATENT DOCUMENTS

D. 373,643	9/1996	Einck	D23/303
3,919,458	11/1975	Perrault	174/51
4,959,018	9/1990	Yamamoto	439/76
5,032,954	7/1991	Juza	361/415
5,244,408	9/1993	Muller	439/460
5,272,279	12/1993	Filshie	174/50
5,568,362	10/1996	Hansson	361/736
5,696,493	12/1997	Einck	340/623

Primary Examiner—Antoine Duval Davis
Attorney, Agent, or Firm—Robert T. Johnson

[57] CLAIM

The ornamental design for a septic pump control housing, as shown and described.

FIG. 1—is a front elevational view of a first embodiment for an ornamental design for a septic pump control housing, showing my new design;

FIG. 2—is a right side elevational view thereof;

FIG. 3—is a back side elevational view thereof;

FIG. 4—is a left side elevational view thereof;

FIG. 5—is a top plan view thereof;

FIG. 6—is a bottom plan view thereof;

FIG. 7—is a front perspective view of the ornamental design for a septic pump control housing and;

FIG. 8—is a right side elevational view of second embodiment for ornamental design for sump pump control housing showing my new design;

FIG. 9—is a back side elevational view thereof;

FIG. 10—is a left side elevational view thereof;

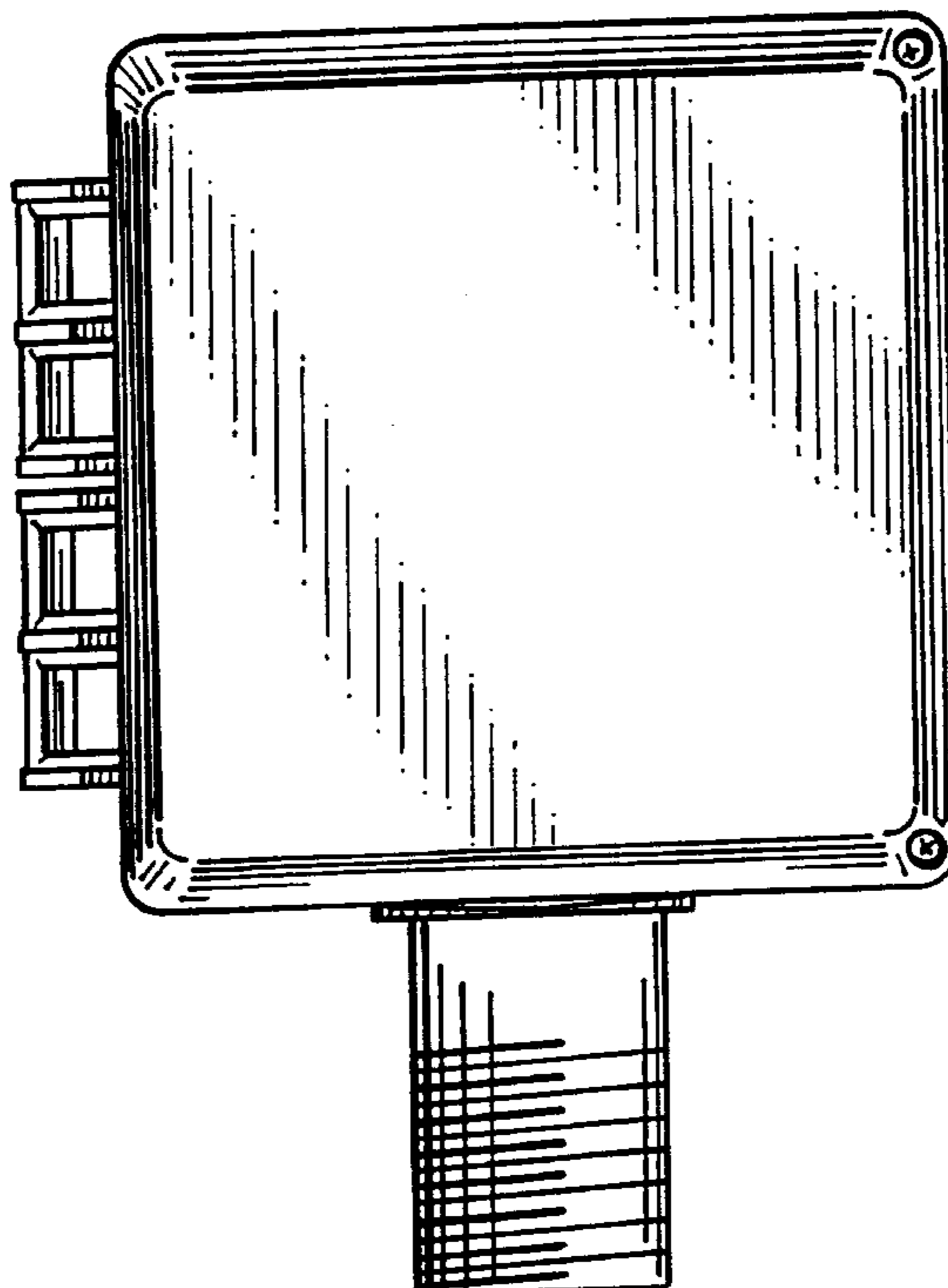
FIG. 11 is a top plan view thereof; and,

FIG. 12—is a bottom plan view of second embodiment of ornamental design for sump pump control housing.

The front elevational view of the second embodiment is the same as the first embodiment FIG. 1, above.

A perspective view of the second embodiment is the same as shown in the first embodiment FIG. 7.

1 Claim, 5 Drawing Sheets



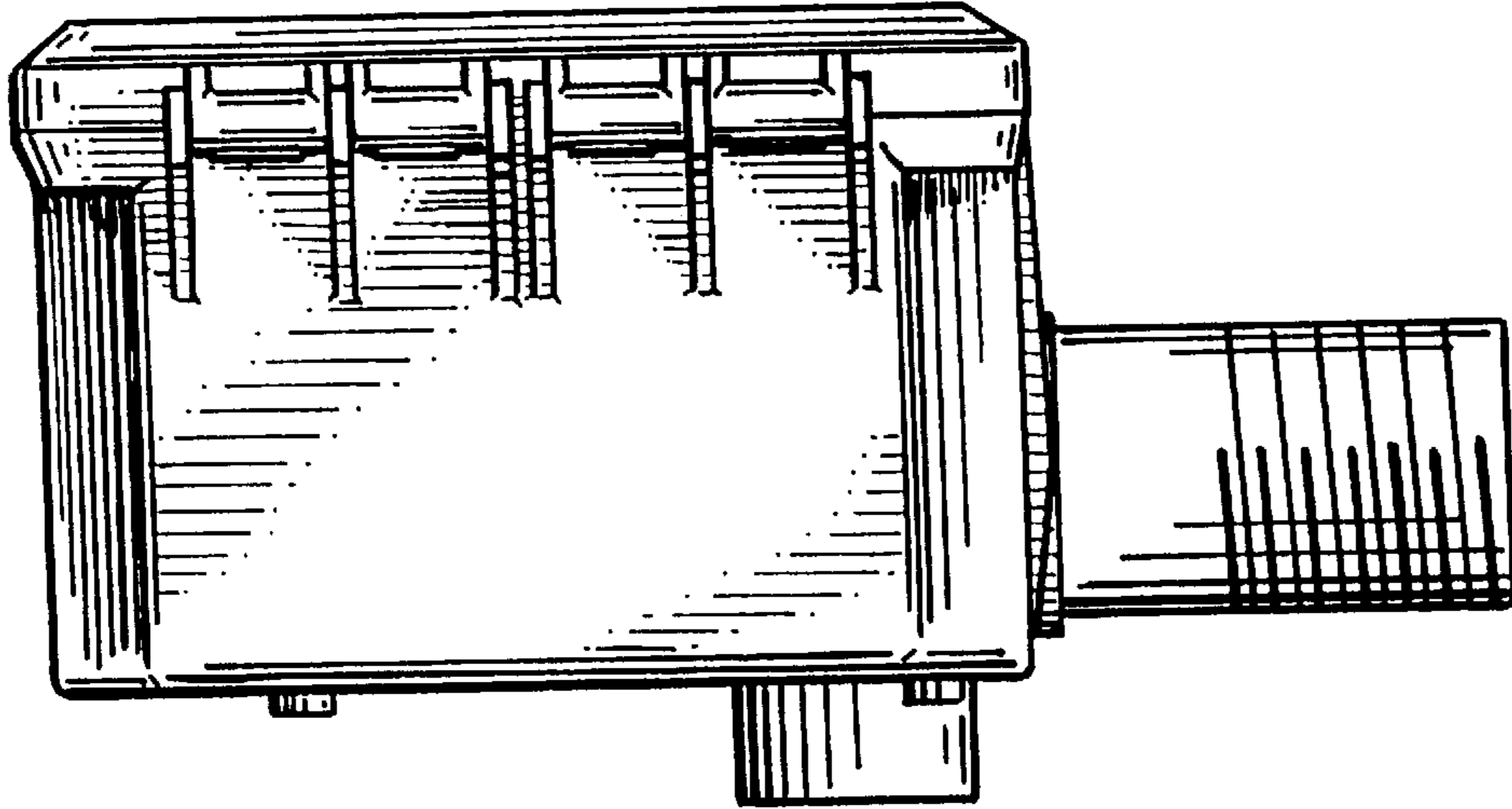


FIG. 2

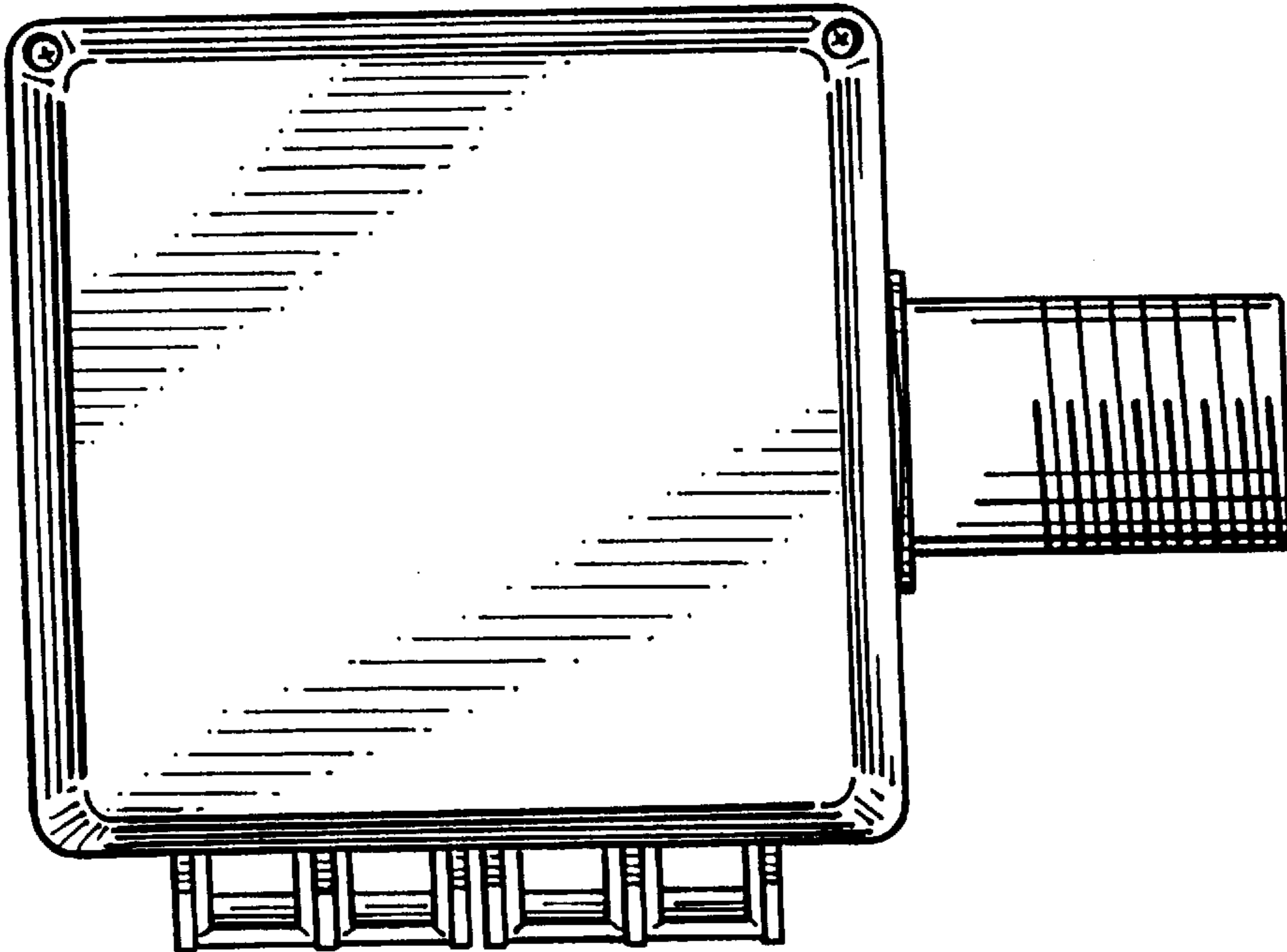
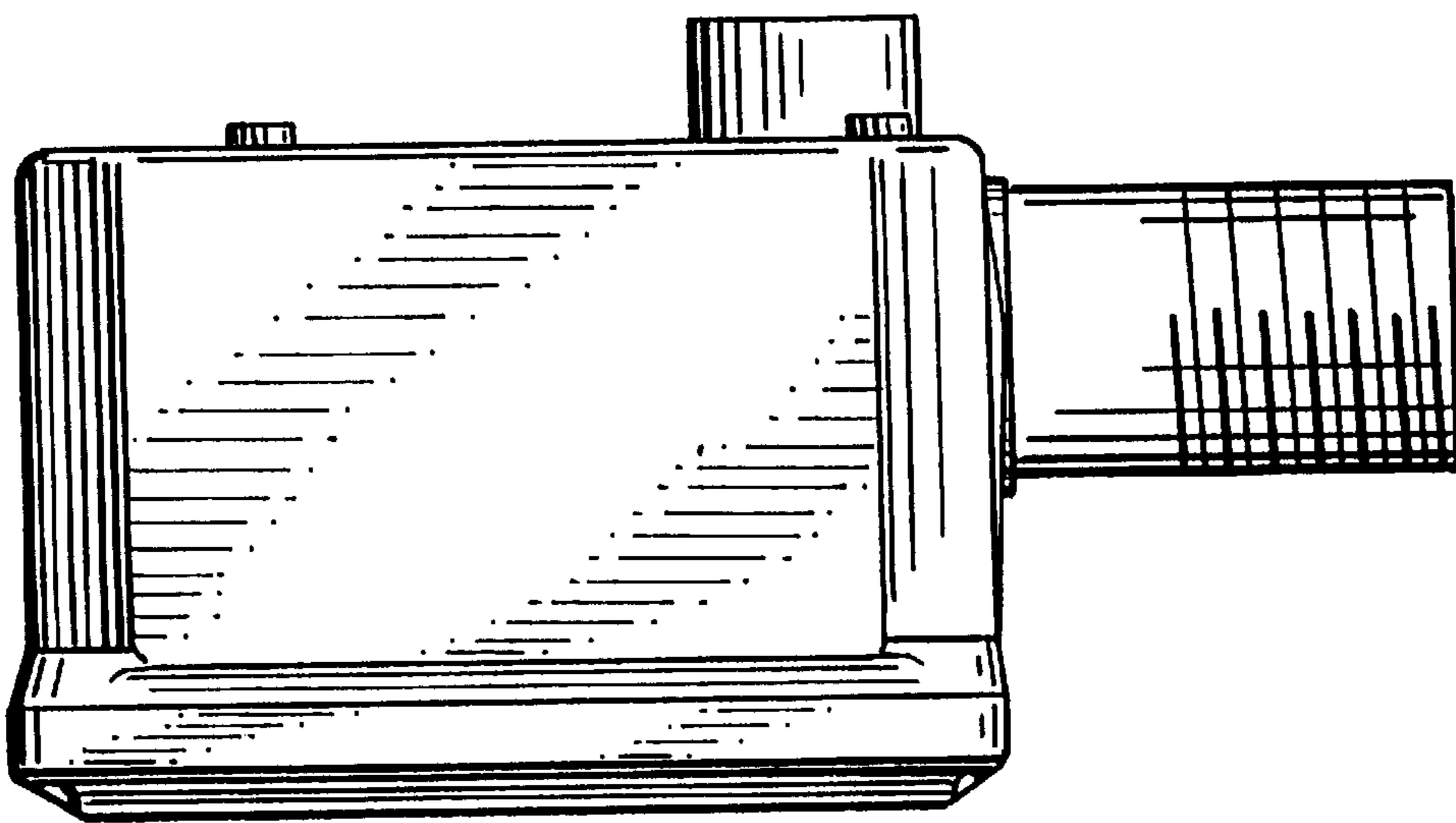
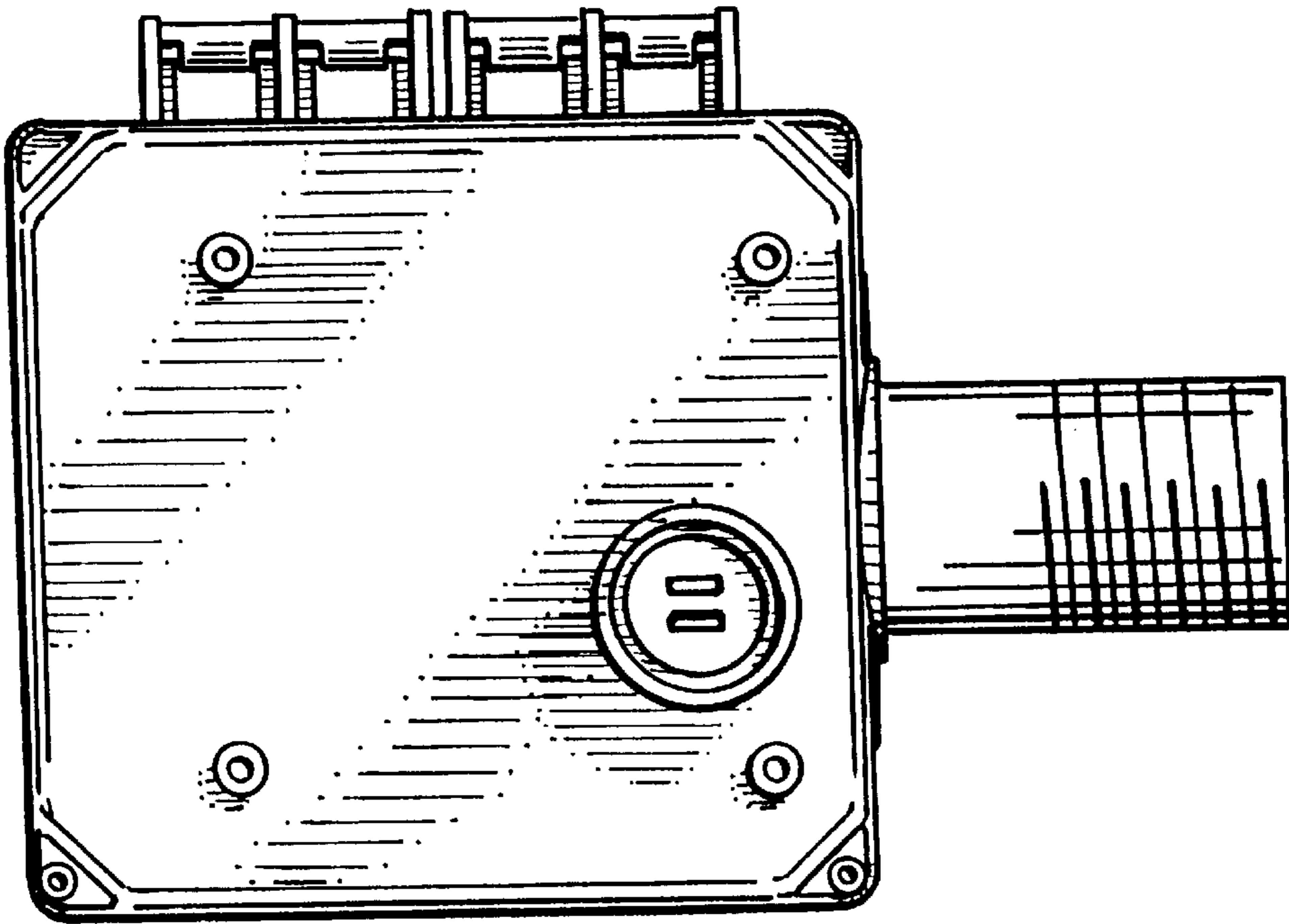


FIG. 1



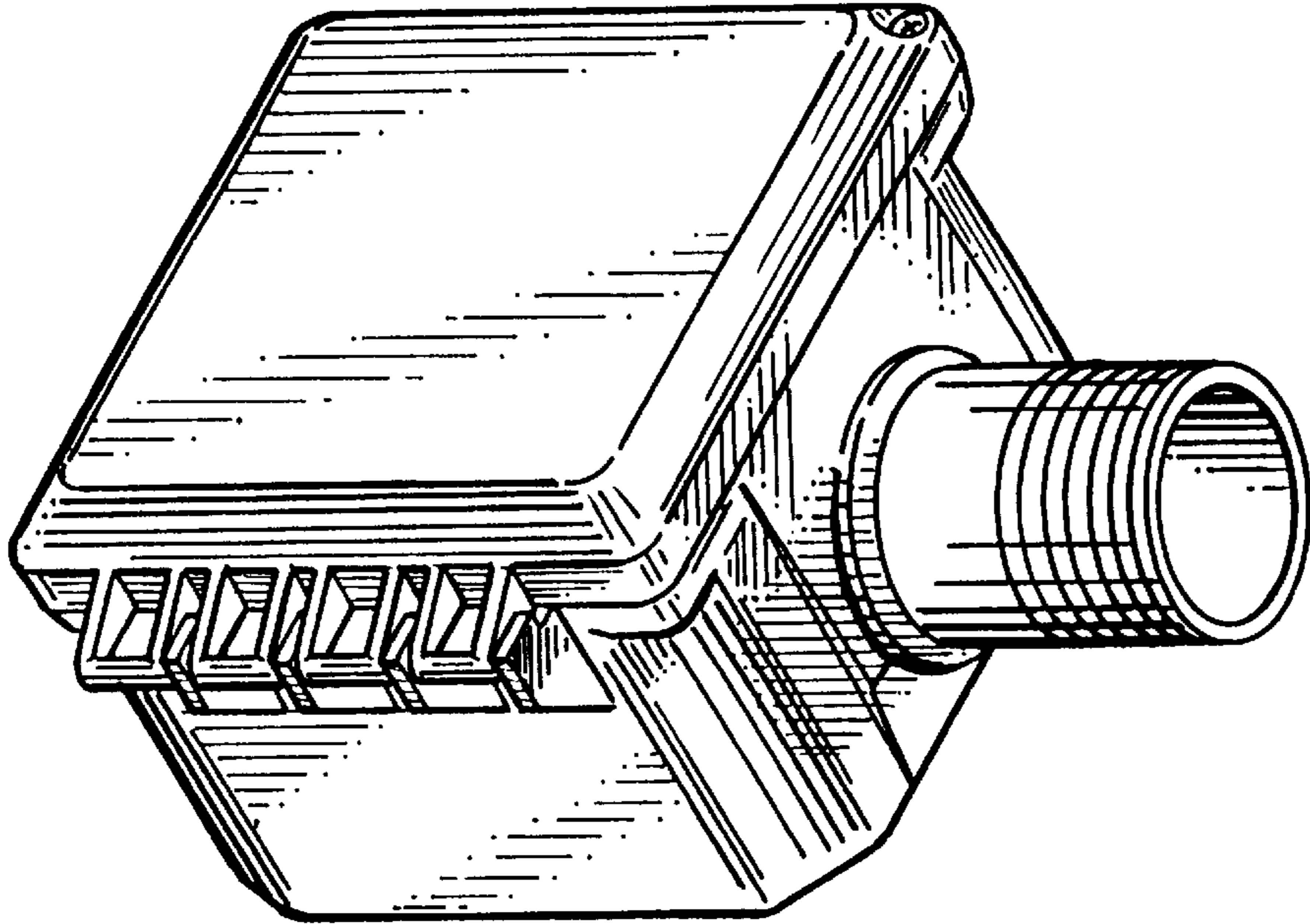


FIG. 7

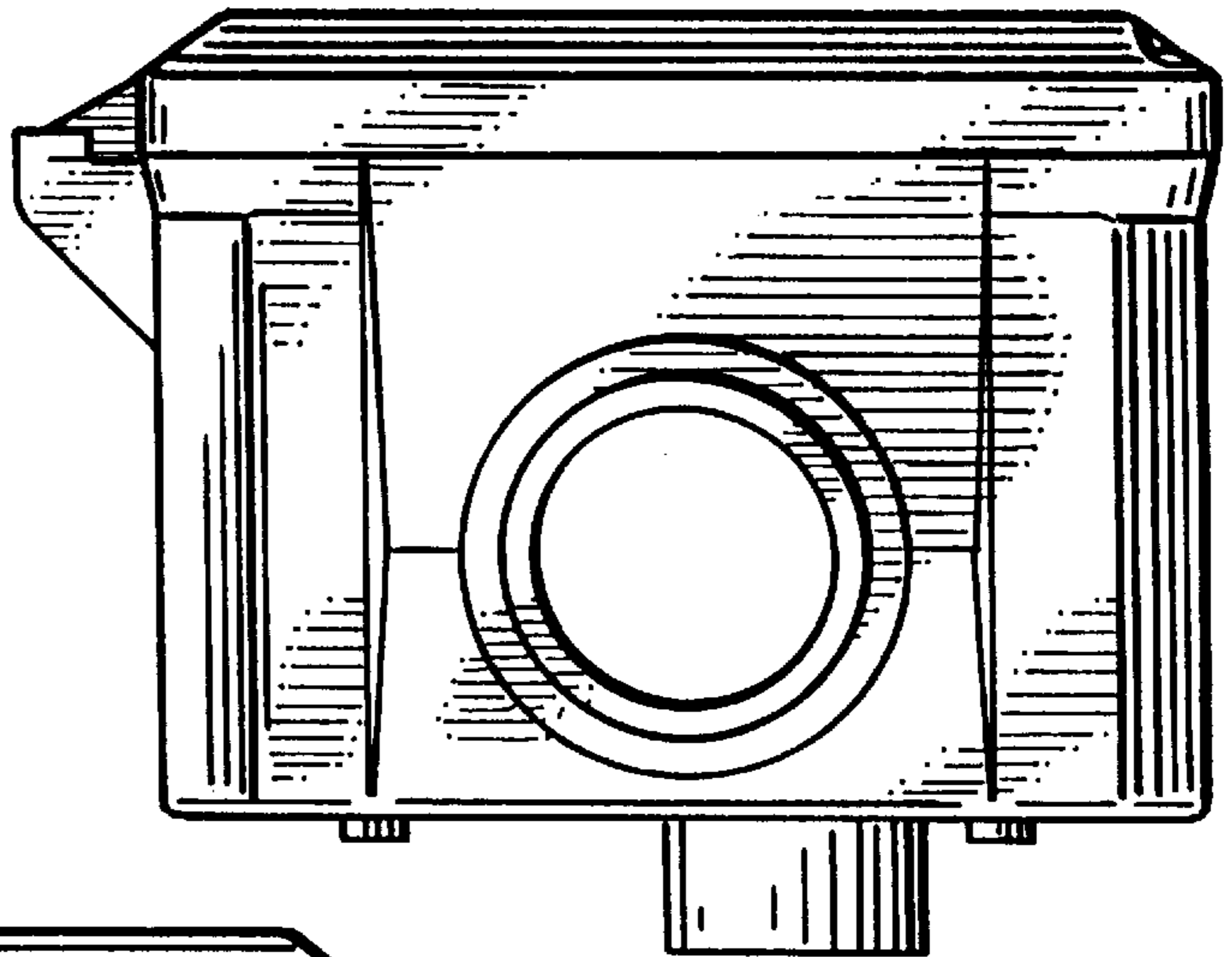


FIG. 6

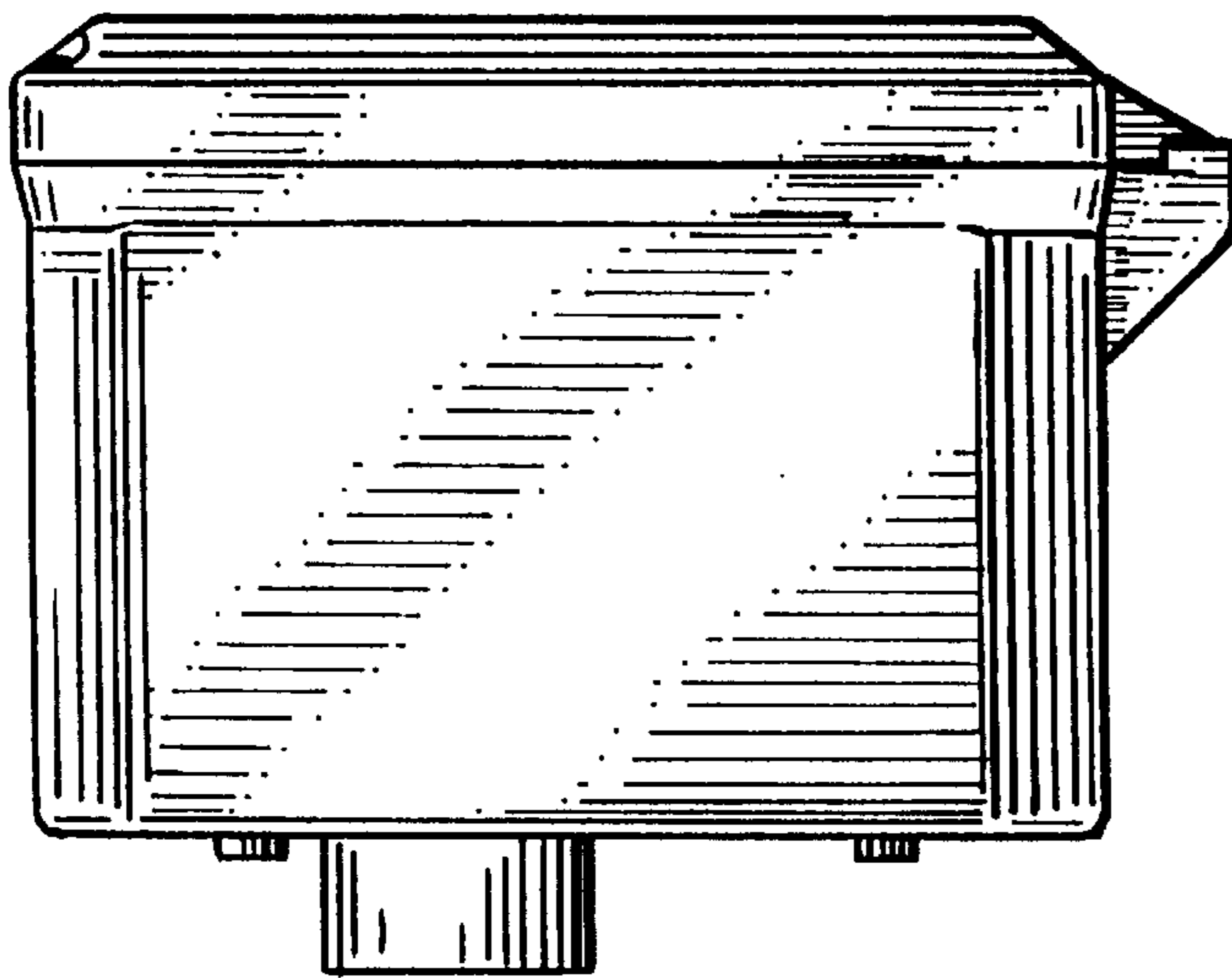
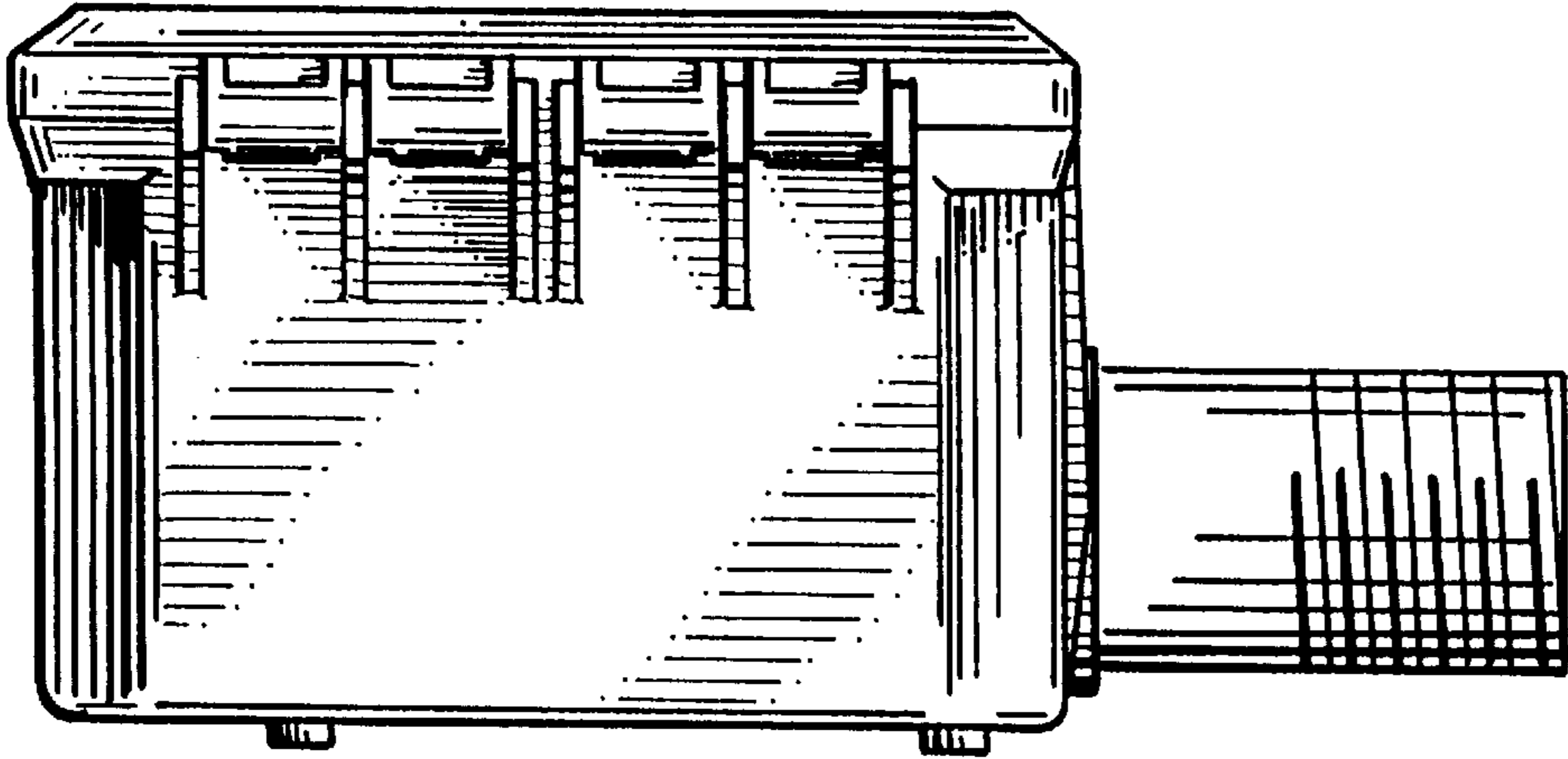
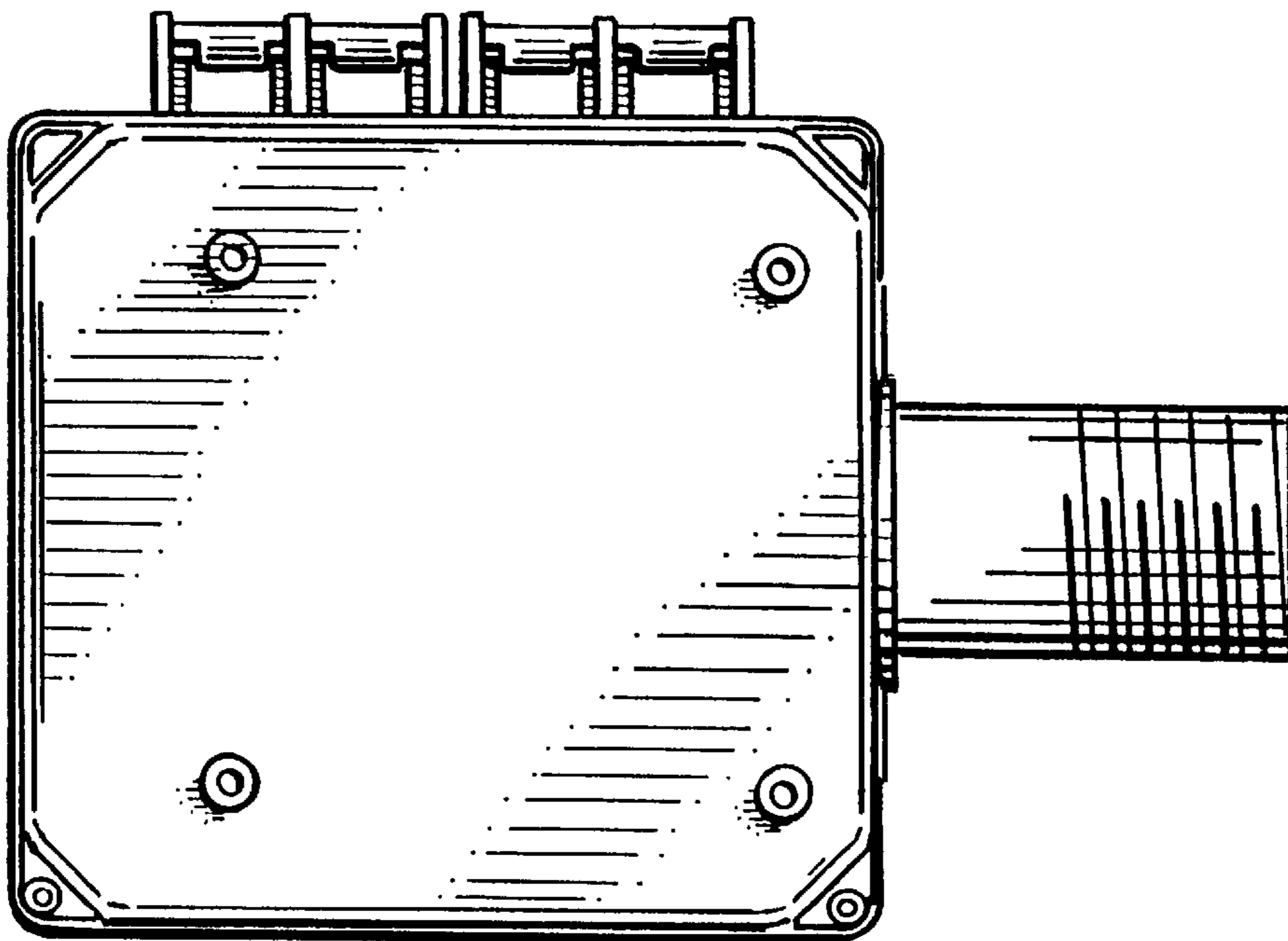


FIG. 5



8
FIG



9
FIG

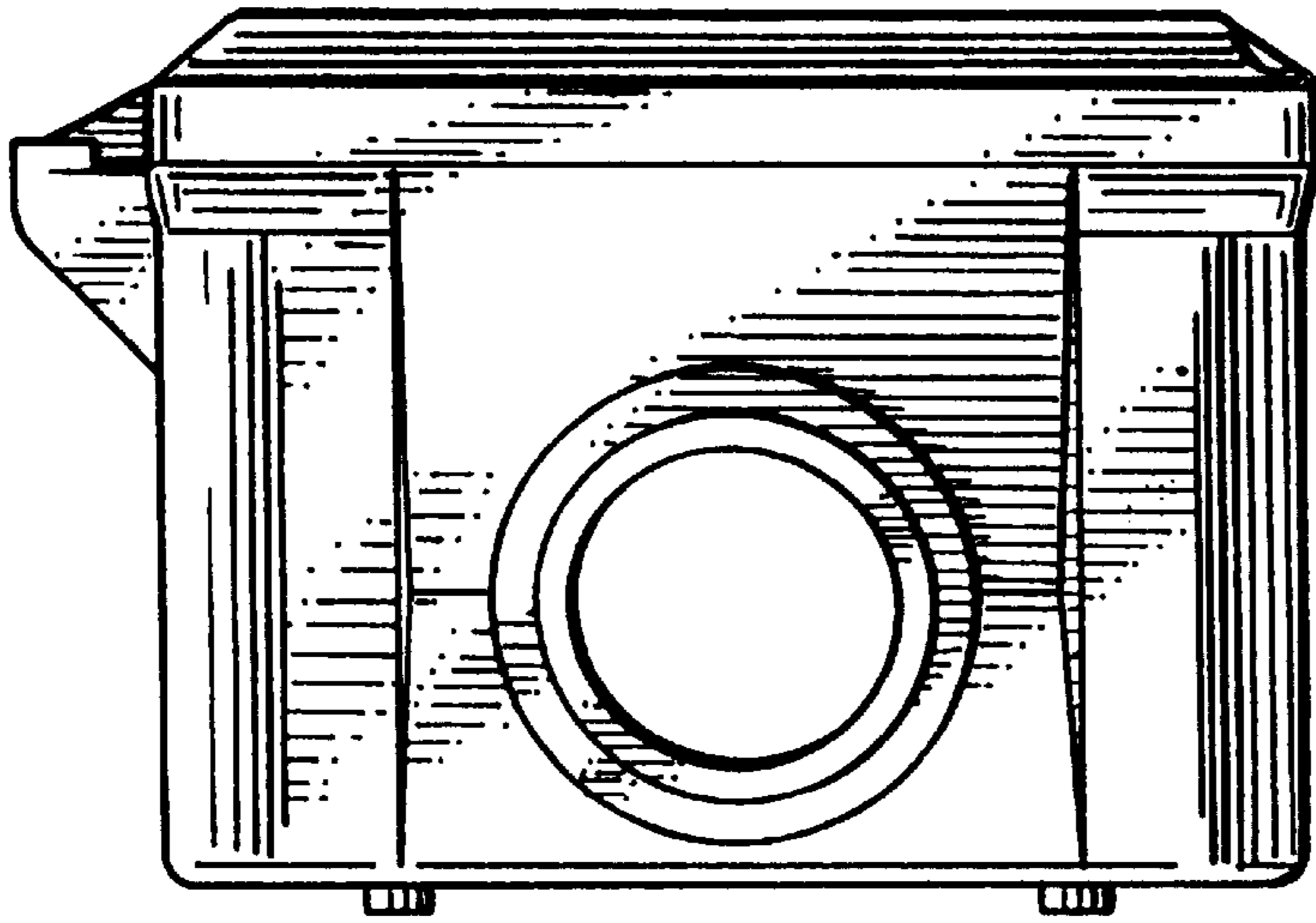


FIG. 12

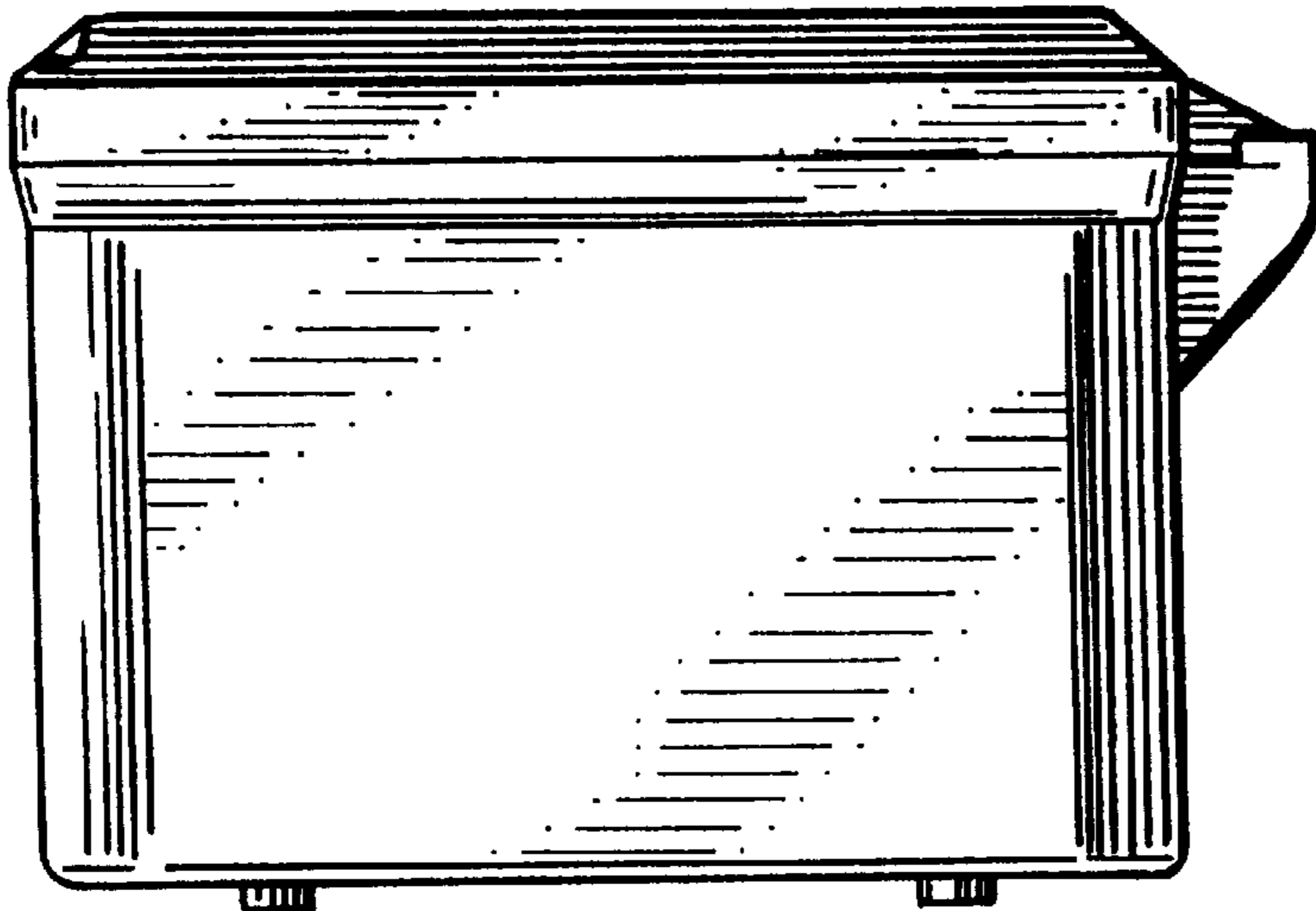


FIG. 11

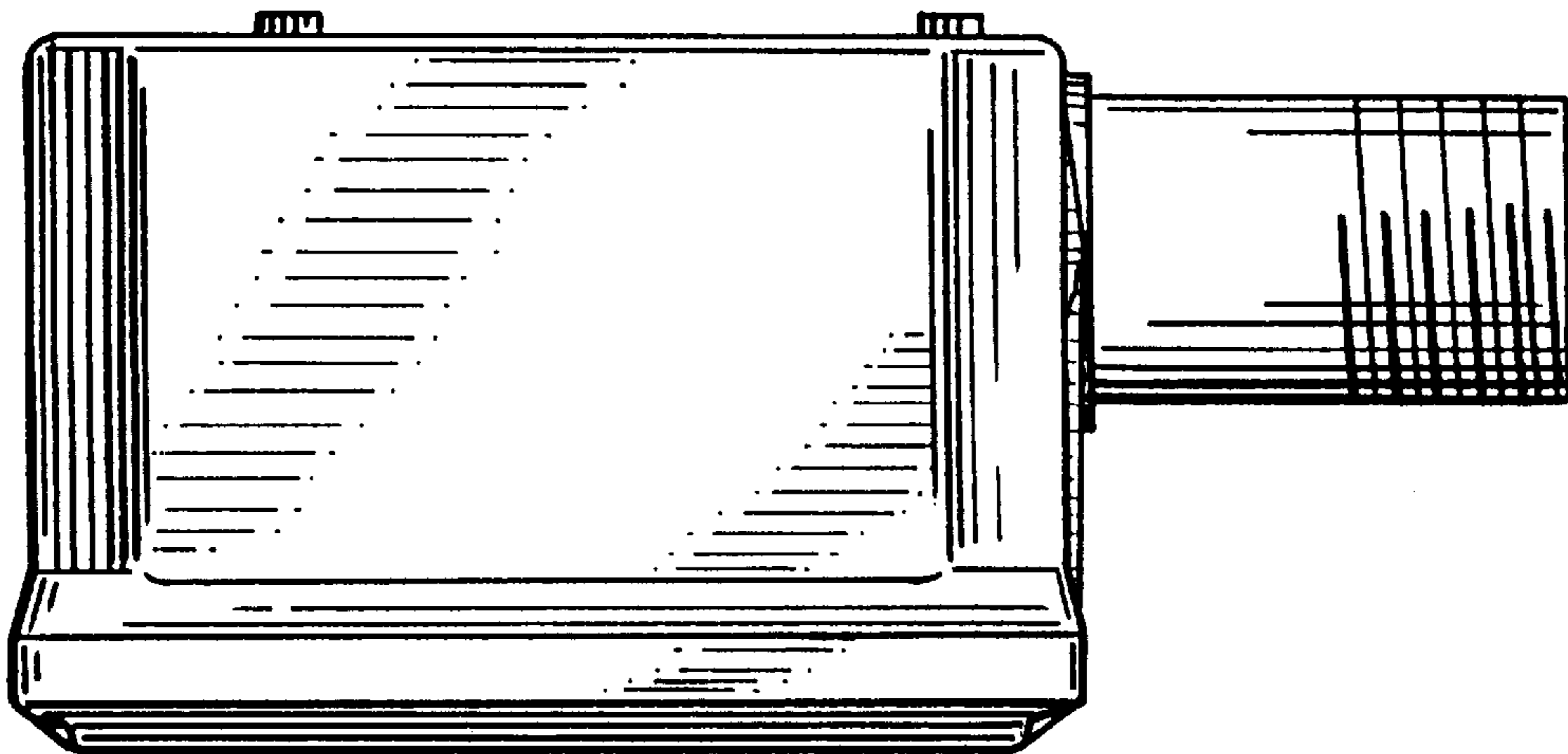


FIG. 10