



US00D432932S

# United States Patent [19]

Evans et al.

[11] Patent Number: Des. 432,932

[45] Date of Patent: \*\* Oct. 31, 2000

[54] **ELECTRONIC LEAK DETECTOR**

[75] Inventors: **Mike S. Evans; Scott King**, both of Pioneer, Ohio; **Howard S. Ryan**, Skaneateles; **David R. Plogman**, Auburn, both of N.Y.

[73] Assignee: **SPX Corporation**, Muskegon, Mich.

[\*\*] Term: **14 Years**

[21] Appl. No.: **29/113,133**

[22] Filed: **Oct. 29, 1999**

[51] **LOC (7) Cl.** ..... **10-04**

[52] **U.S. Cl.** ..... **D10/78**

[58] **Field of Search** ..... D10/78; 324/72.5, 324/67, 115, 133, 145, 146, 156, 155, 556, 464

[56] **References Cited**

**U.S. PATENT DOCUMENTS**

D. 343,801 2/1994 Burns et al. .... D10/78

*Primary Examiner*—Antoine Duval Davis

*Attorney, Agent, or Firm*—Hovey, Williams, Timmons & Collins

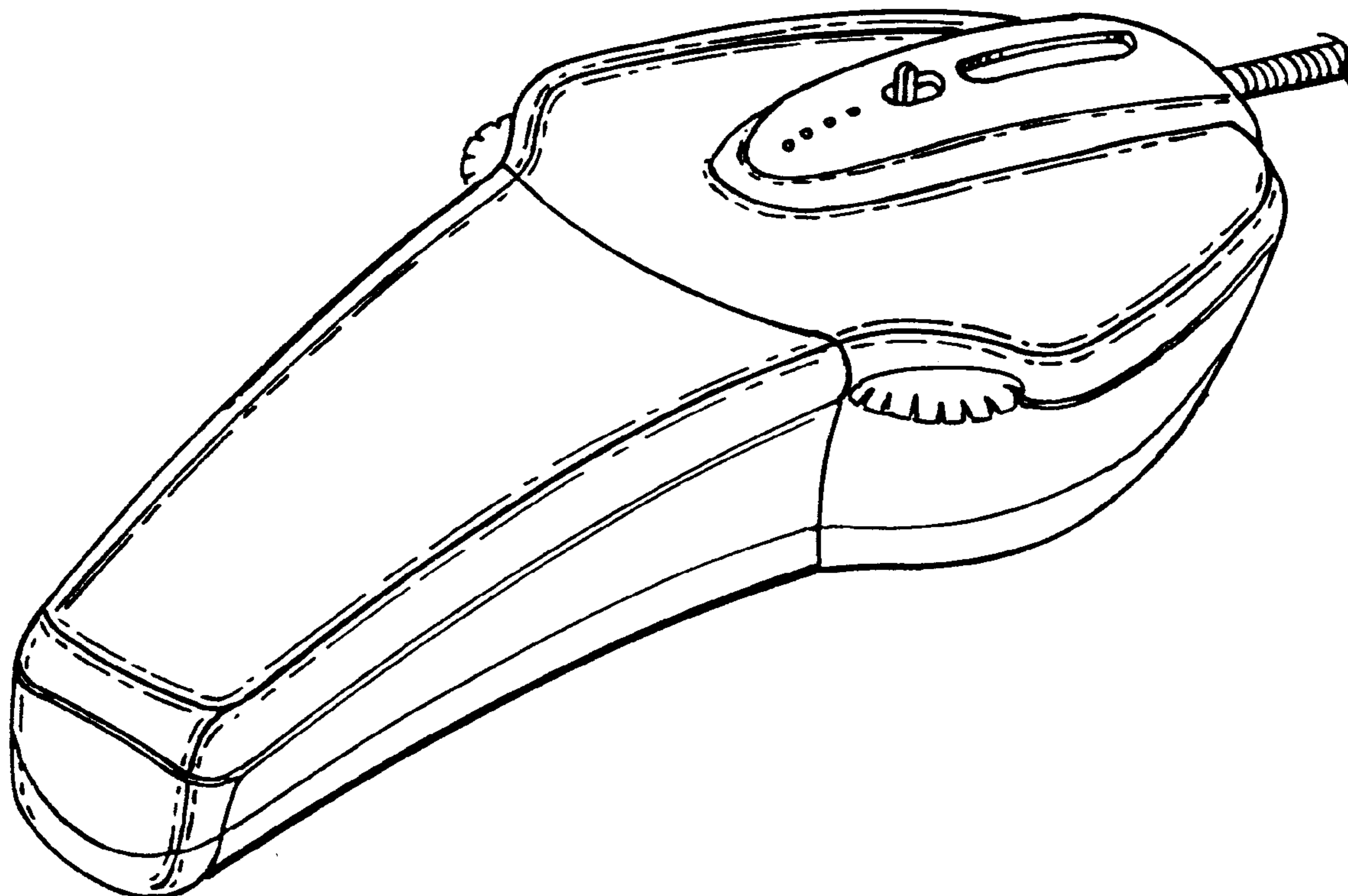
[57] **CLAIM**

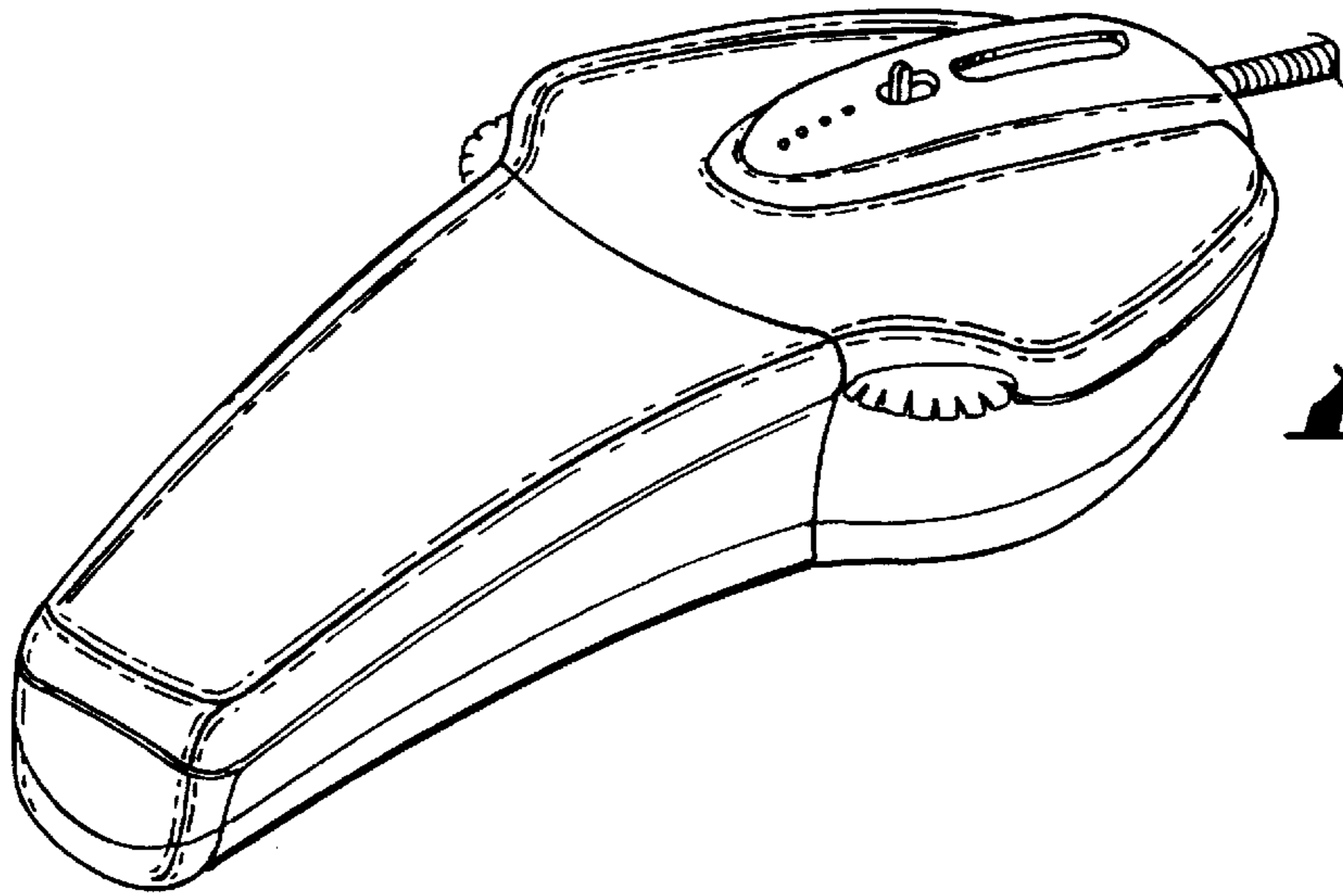
The ornamental design for an electronic leak detector, as shown and described.

**DESCRIPTION**

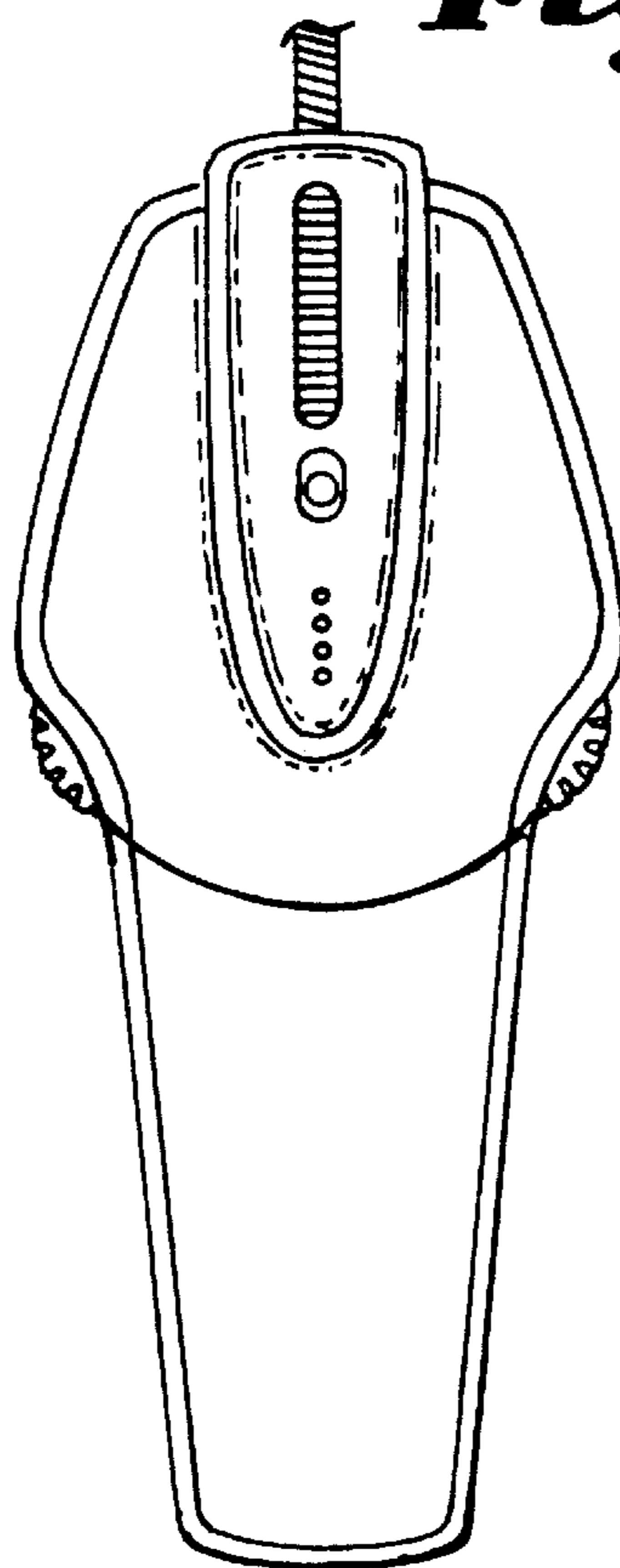
FIG. 1 is a top perspective view of the electronic leak detector;  
FIG. 2 is a top plan view of the electronic leak detector of FIG. 1;  
FIG. 3 is a side elevational view of the electronic leak detector of FIG. 1;  
FIG. 4 is a front end view of the electronic leak detector of FIG. 1;  
FIG. 5 is a bottom plan view of the electronic leak detector of FIG. 1;  
FIG. 6 is a rear end view of the electronic leak detector of FIG. 1; and,  
FIG. 7 is a bottom perspective view of the electronic leak detector of FIG. 1.

**1 Claim, 3 Drawing Sheets**

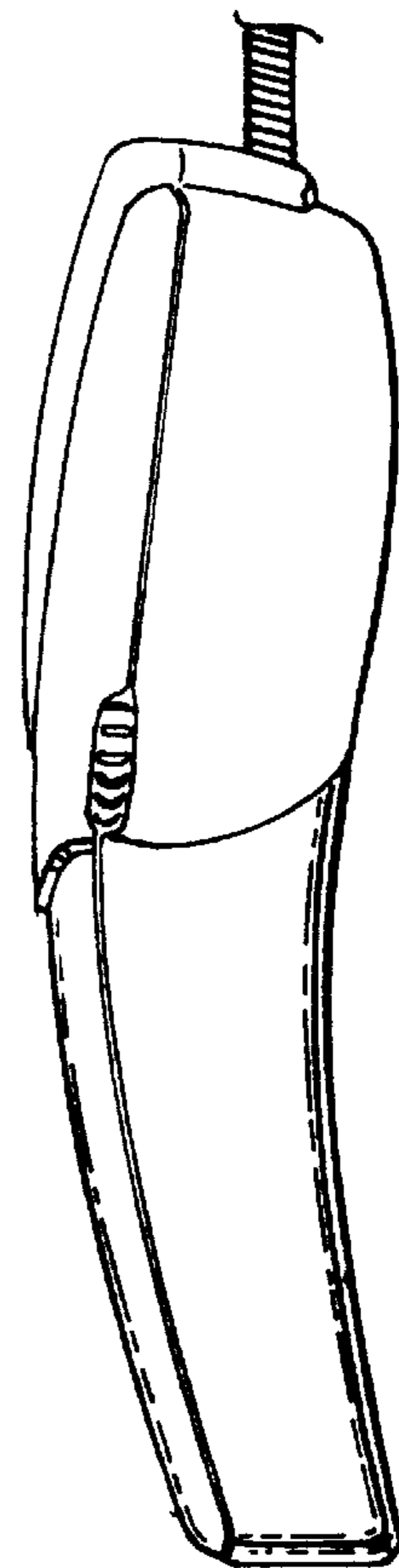




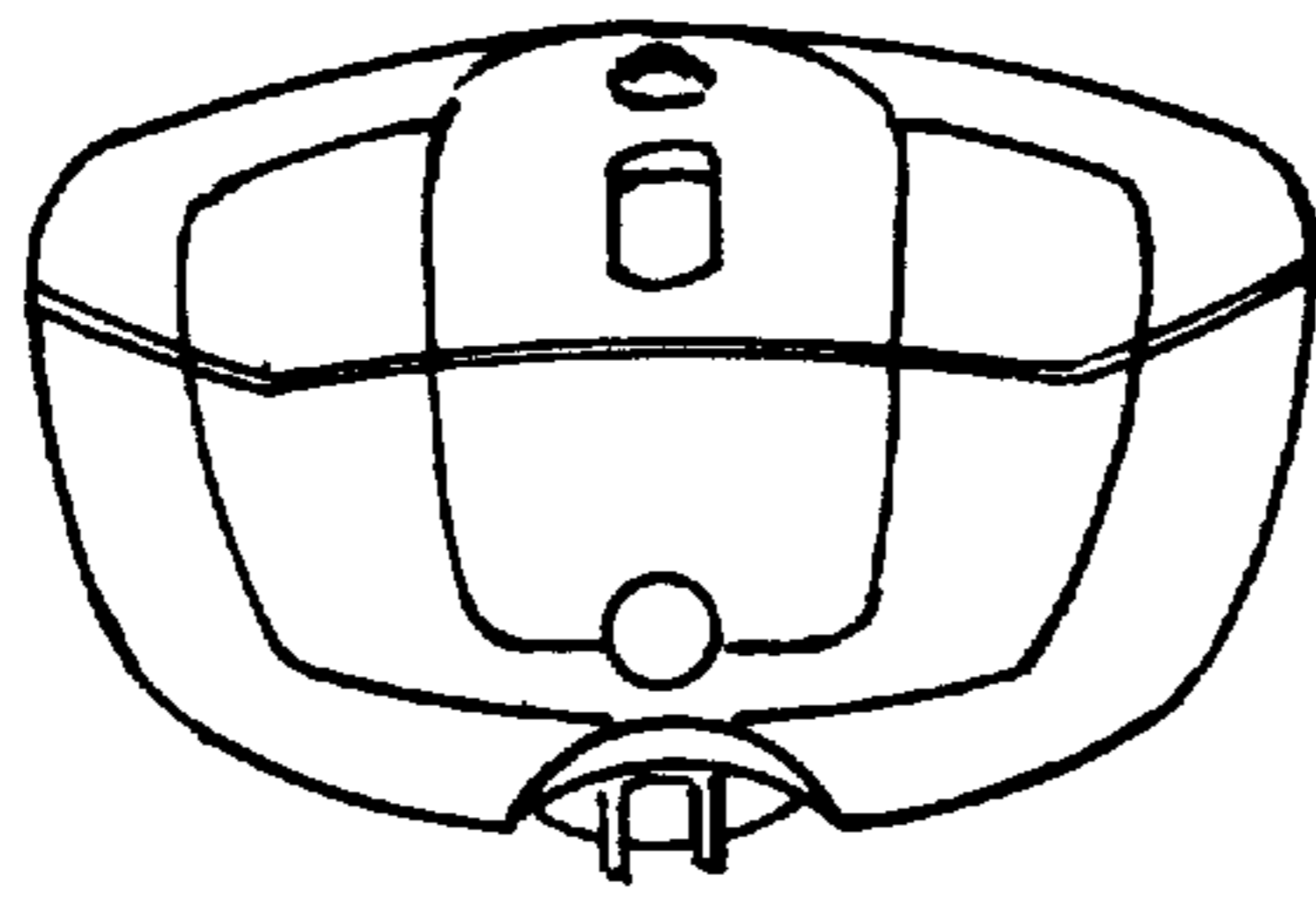
**Fig. 1.**



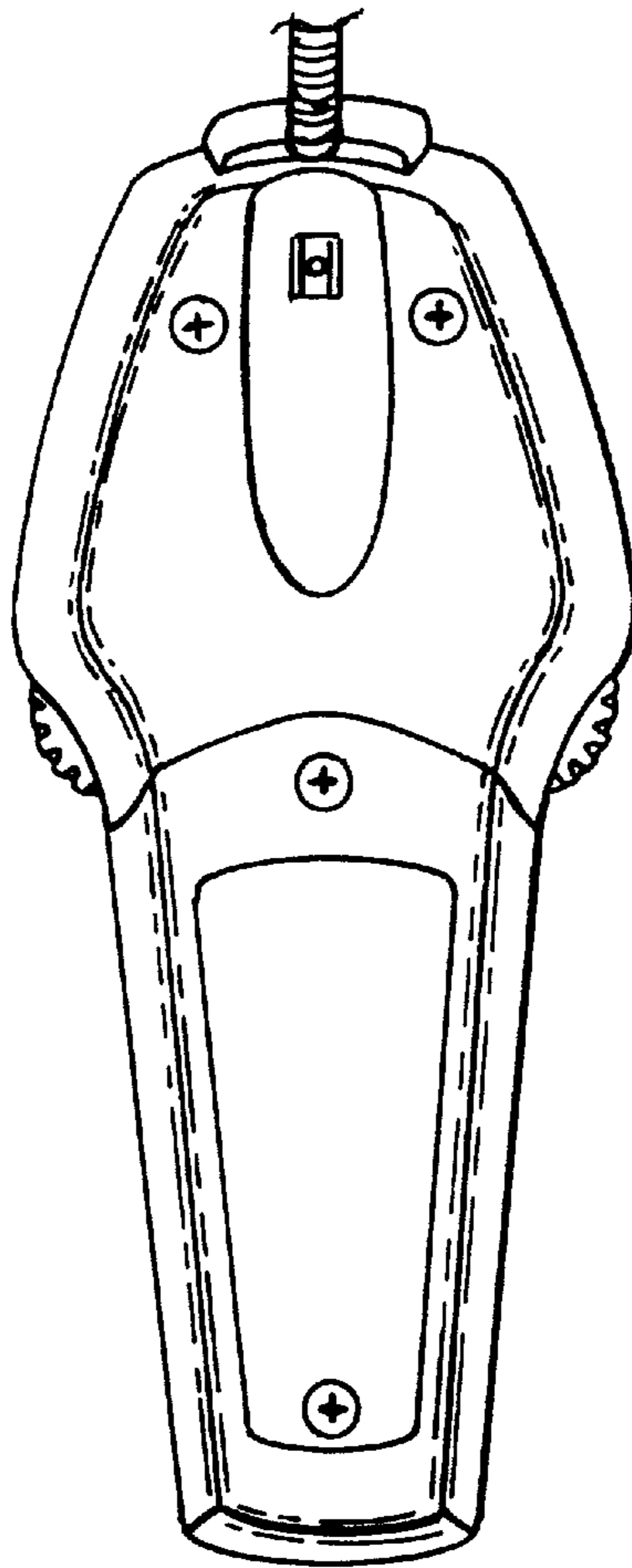
**Fig. 2.**



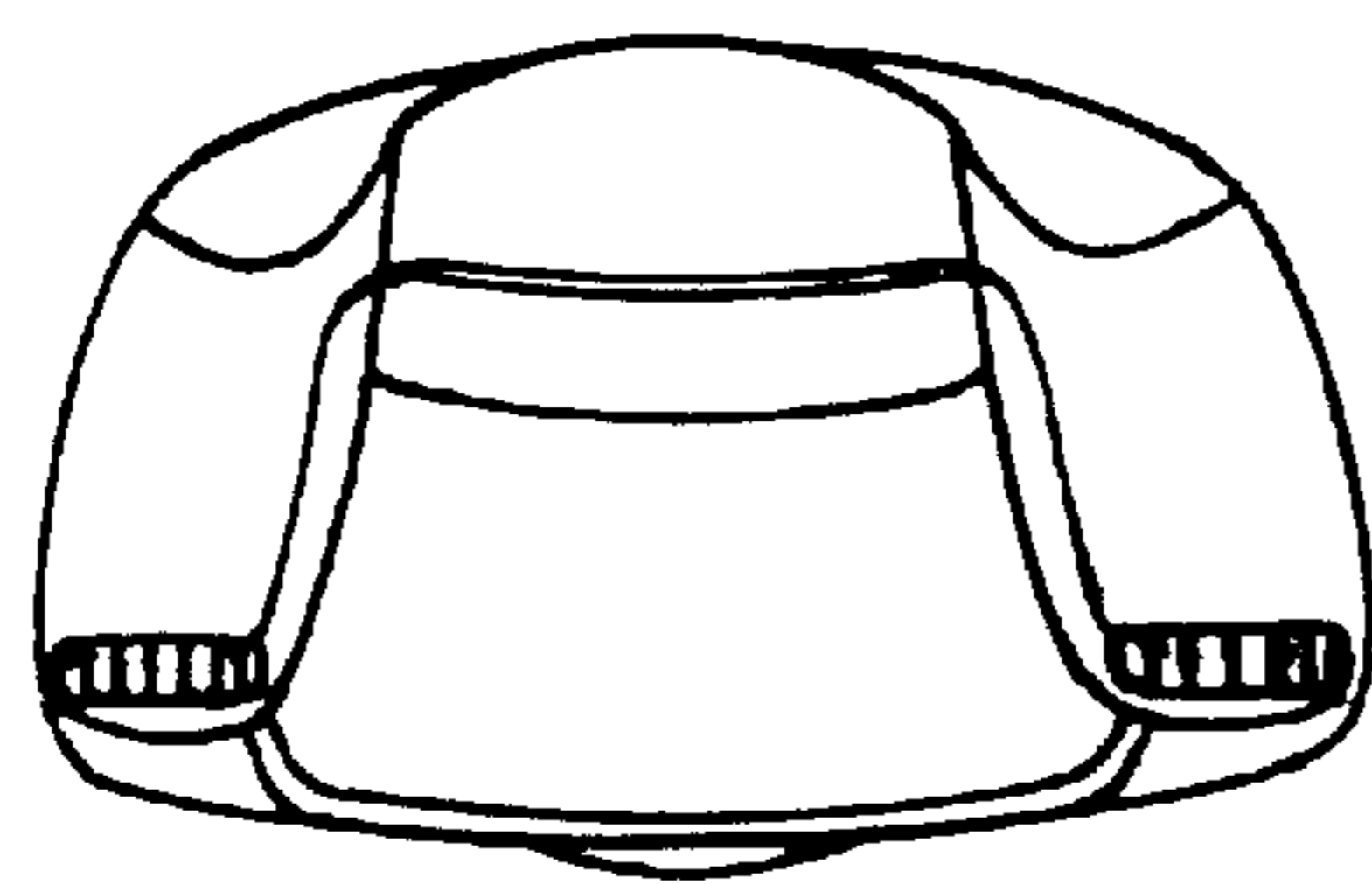
**Fig. 3.**



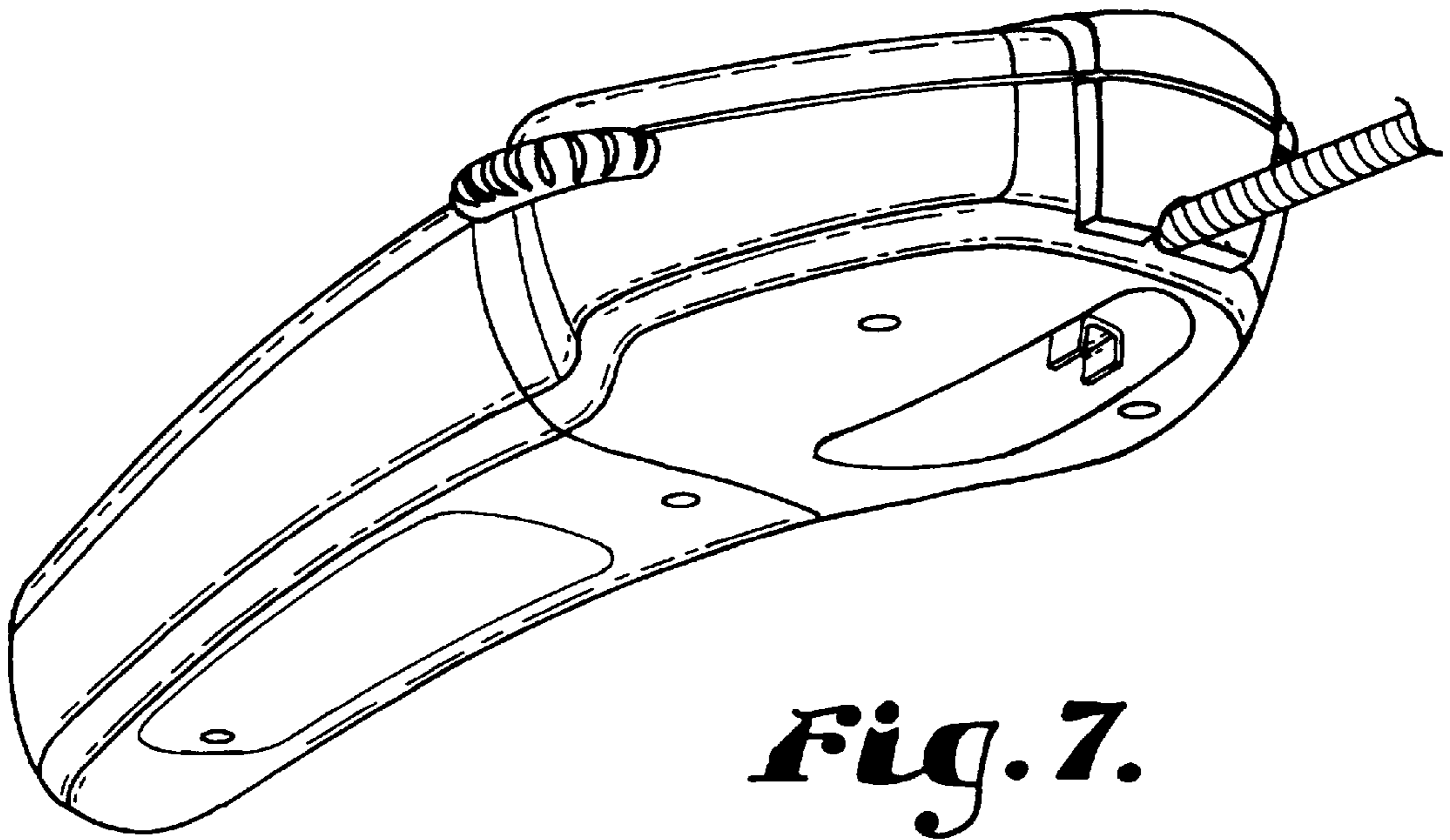
*Fig. 4.*



*Fig. 5.*



*Fig. 6.*



***Fig. 7.***