



US00D432928S

United States Patent [19] Garrett

[11] Patent Number: Des. 432,928

[45] Date of Patent: ** Oct. 31, 2000

[54] COMBINED RULER, LEVEL AND ADJUSTABLE ANGLE SQUARE

[76] Inventor: Floyd H Garrett, 501 N. Taylor Box 122, Pryor, Okla. 74361

[**] Term: 14 Years

[21] Appl. No.: 29/113,487

[22] Filed: Nov. 5, 1999

[51] LOC (7) Cl. 10-04

[52] U.S. Cl. D10/62; D10/69; D10/71

[58] Field of Search D10/62, 69, 71; 33/365, 367, 451, 458, 452, 478, 484

[56] **References Cited**

U.S. PATENT DOCUMENTS

D. 333,991	3/1993	Lee	D10/62
2,213,148	8/1940	Pyle	33/451
4,524,527	6/1985	Jeffrey	33/365

4,813,149 3/1989 Herkimer 33/365

Primary Examiner—Antoine Duval Davis

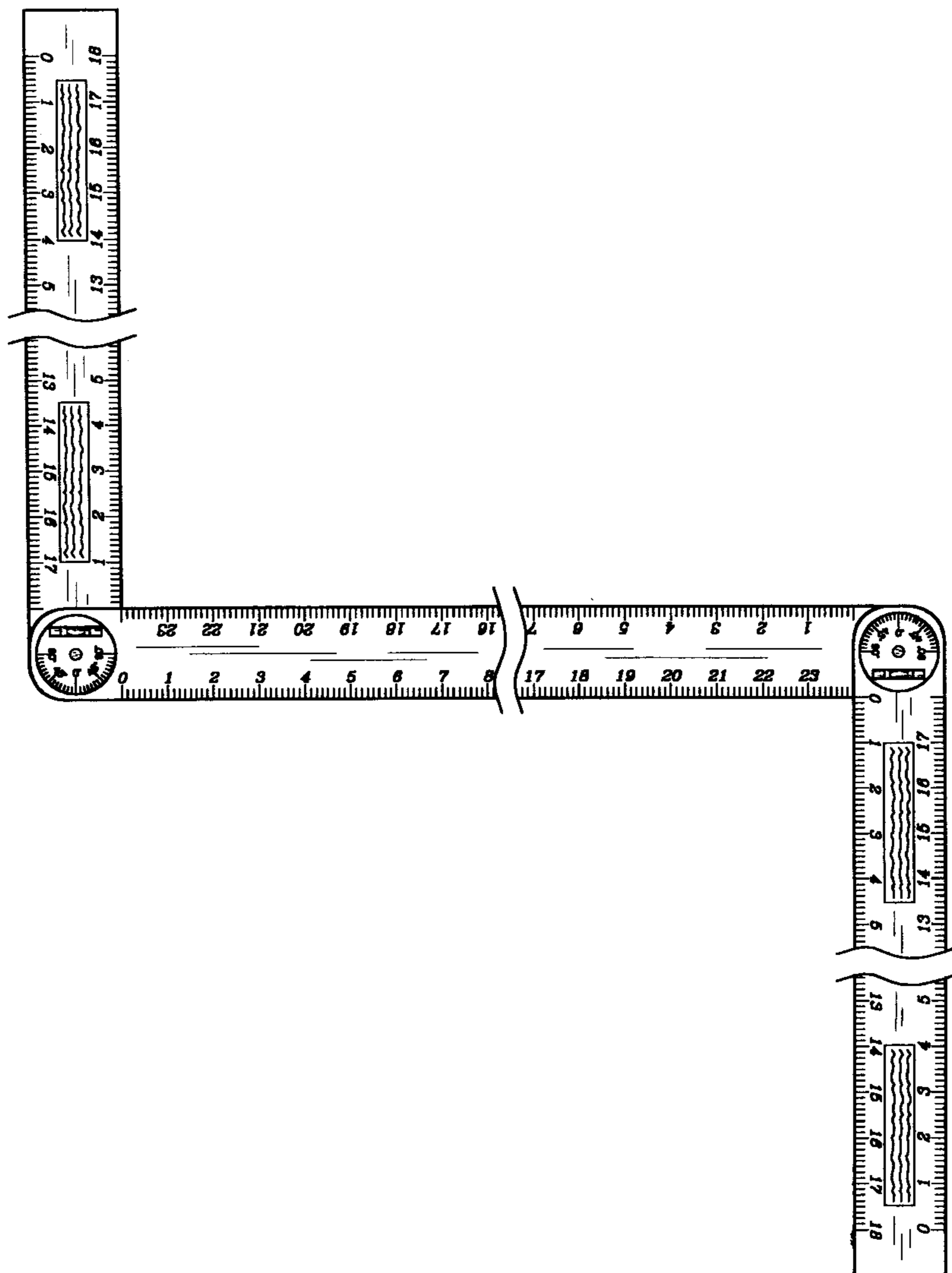
[57] **CLAIM**

The ornamental design for a combined ruler, level and adjustable angle square, as shown and described.

DESCRIPTION

FIG. 1 is a front elevational view of the combined ruler, level and adjustable angle square of the present invention; FIG. 2 is a rear elevational view of the combined ruler, level and adjustable angle square of FIG. 1; FIG. 3 is a left side elevational view of the combined ruler, level and adjustable angle square of FIG. 1; FIG. 4 is a right side elevational view of the combined ruler, level and adjustable angle square of FIG. 1; and, FIG. 5 is a top plan view of the combined ruler, level and adjustable angle square of FIG. 1; the bottom view being a mirror image thereof.

1 Claim, 2 Drawing Sheets



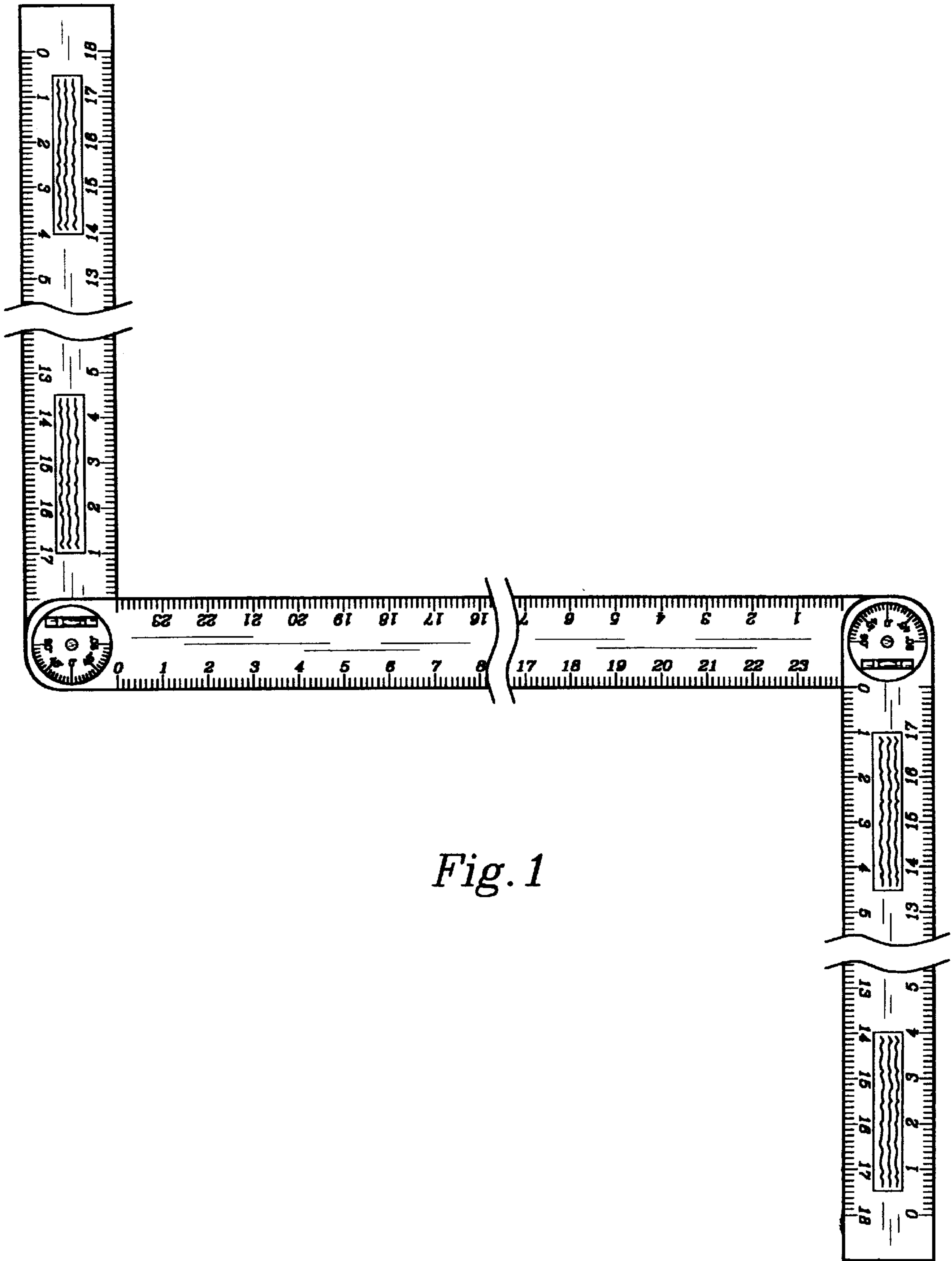


Fig. 1

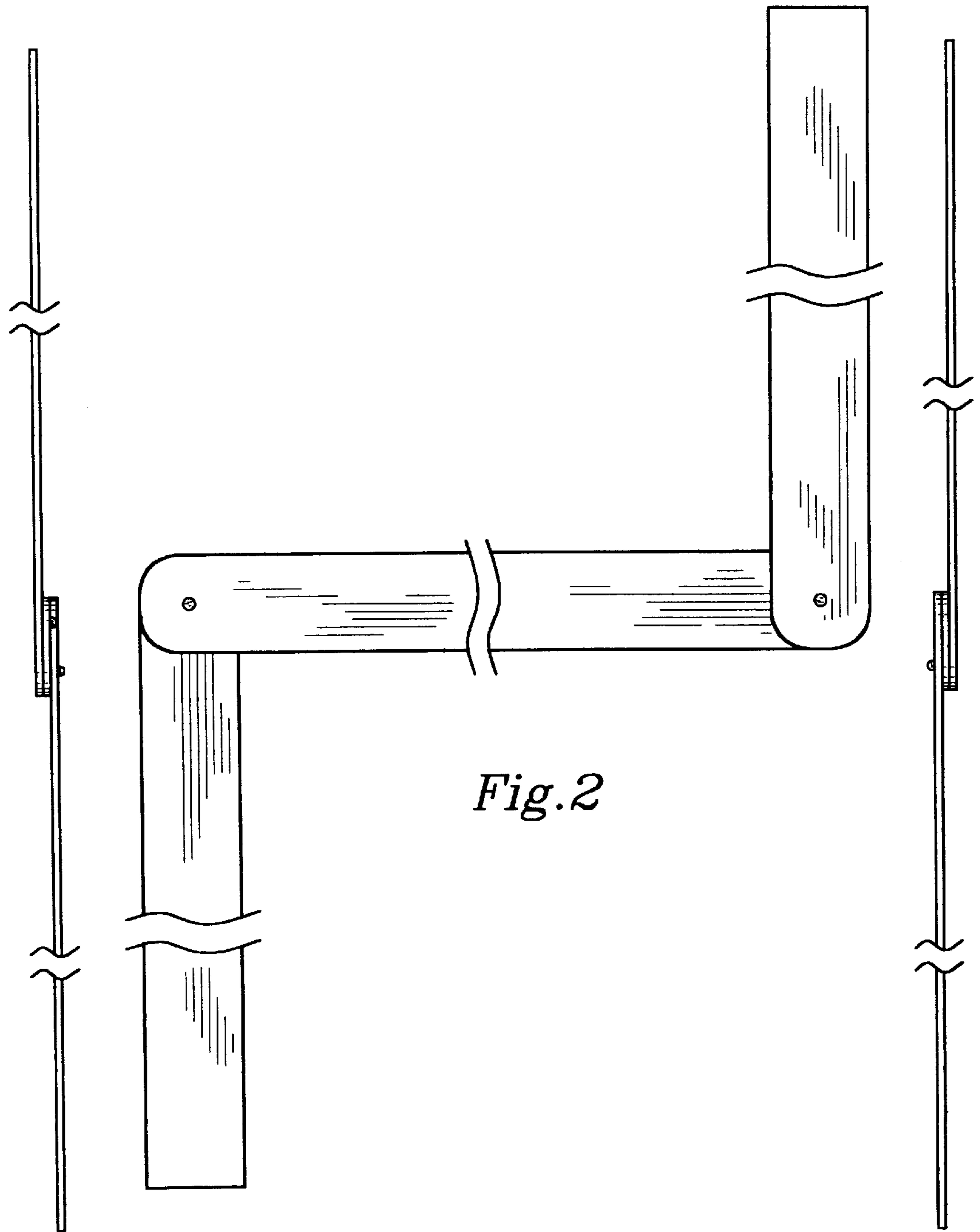


Fig.2

Fig.3

Fig.4

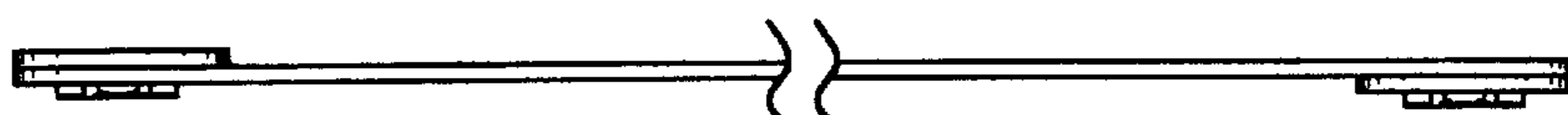


Fig.5