



US00D432927S

# United States Patent [19]

[11] **Patent Number: Des. 432,927**

**Monaco et al.**

[45] **Date of Patent: \*\* Oct. 31, 2000**

[54] **EXTENSION MODULE FOR AN INSTRUMENT CONTAINER FOR CONDITIONING AND REFRIGERATING UNITS**

5,810,459 9/1998 Barrett et al. .... 312/111  
5,825,627 10/1998 Tamura ..... 361/730

[75] Inventors: **Frank Anthony Monaco**, Rome;  
**Stefano Dal Farra**, Belluno, both of Italy

*Primary Examiner*—Antoine Duval Davis  
*Attorney, Agent, or Firm*—Antonelli, Terry, Stout & Kraus, LLP

[73] Assignee: **Invensys Climate Controls SpA**, Via dell'Artigiano, Italy

[57] **CLAIM**

[\*\*] Term: **14 Years**

The ornamental design for an extension module for an instrument container for conditioning and refrigerating units, as shown.

[21] Appl. No.: **29/113,669**

**DESCRIPTION**

[22] Filed: **Nov. 10, 1999**

FIG. 1 is a perspective view of an extension module for an instrument container for conditioning and refrigerating units;

**Related U.S. Application Data**

[62] Division of application No. 29/100,168, Feb. 5, 1999.

FIG. 2 is a front view of the extension module of FIG. 1;

[30] **Foreign Application Priority Data**

Jul. 8, 1998 [WO] WIPO ..... DM/044 877

FIG. 3 is a rear view of the extension module of FIG. 1;

[51] **LOC (7) Cl.** ..... **10-04**

[52] **U.S. Cl.** ..... **D10/49**

FIG. 4 is a top view of the extension module of FIG. 1;

[58] **Field of Search** ..... D10/46, 49, 50;

62/125-230

FIG. 5 is a bottom view of the extension module of FIG. 1;

FIG. 6 is a first side view of the extension module of FIG. 1; and,

FIG. 7 is a second side view of the extension module of FIG. 1.

[56] **References Cited**

**U.S. PATENT DOCUMENTS**

4,650,278 3/1987 Maciejko et al. .... 350/96.2

**1 Claim, 3 Drawing Sheets**

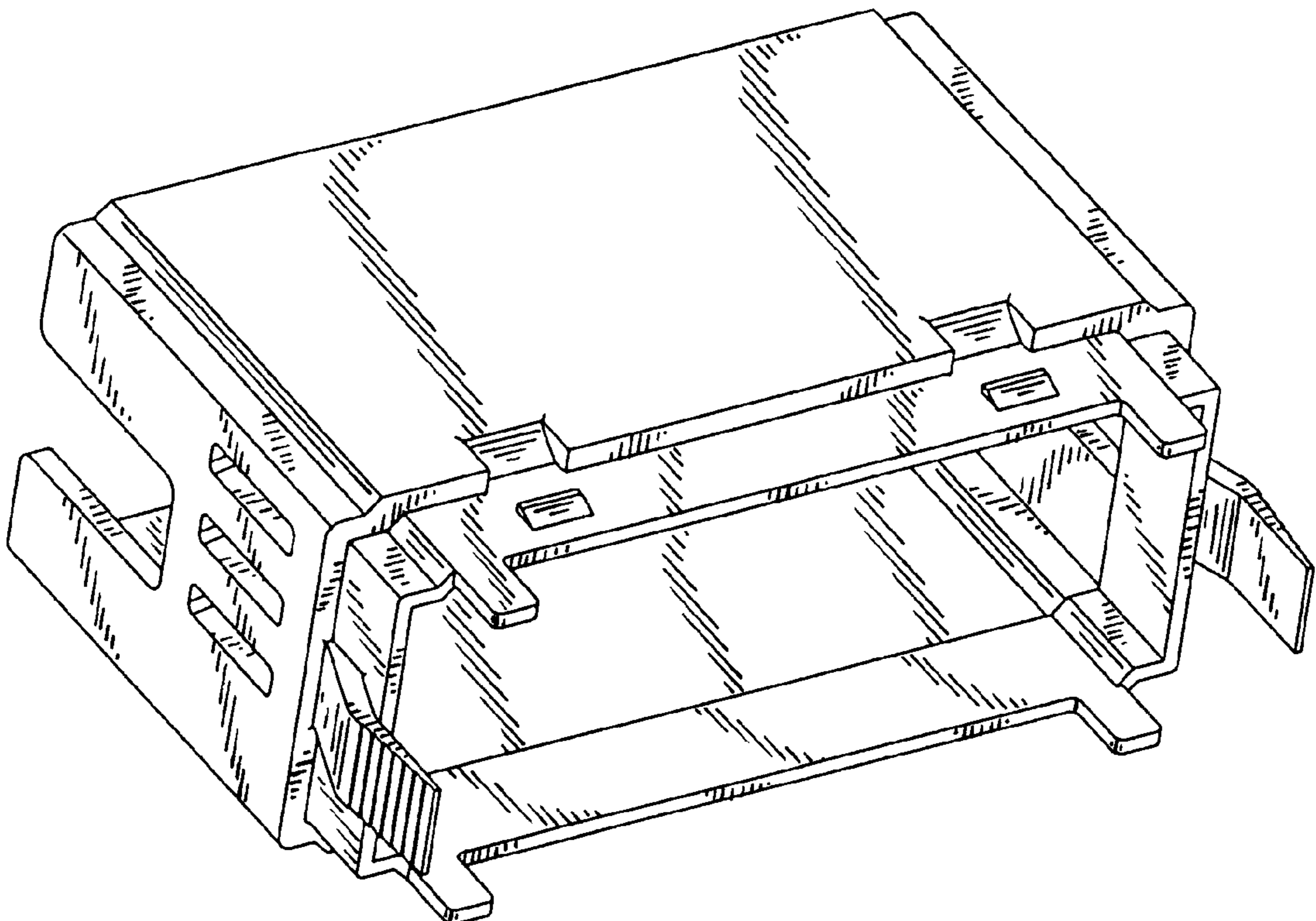


FIG. 1

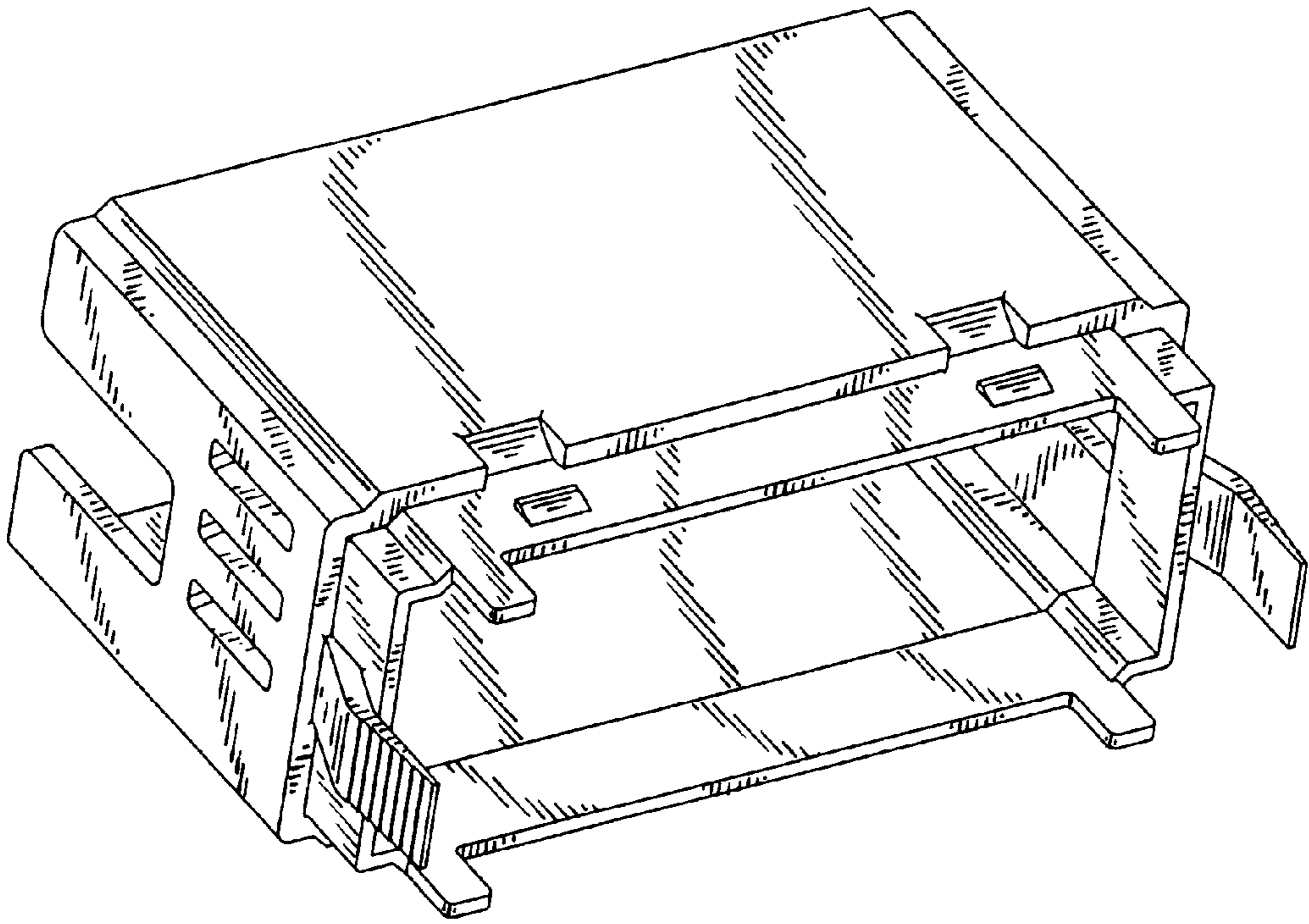


FIG. 2

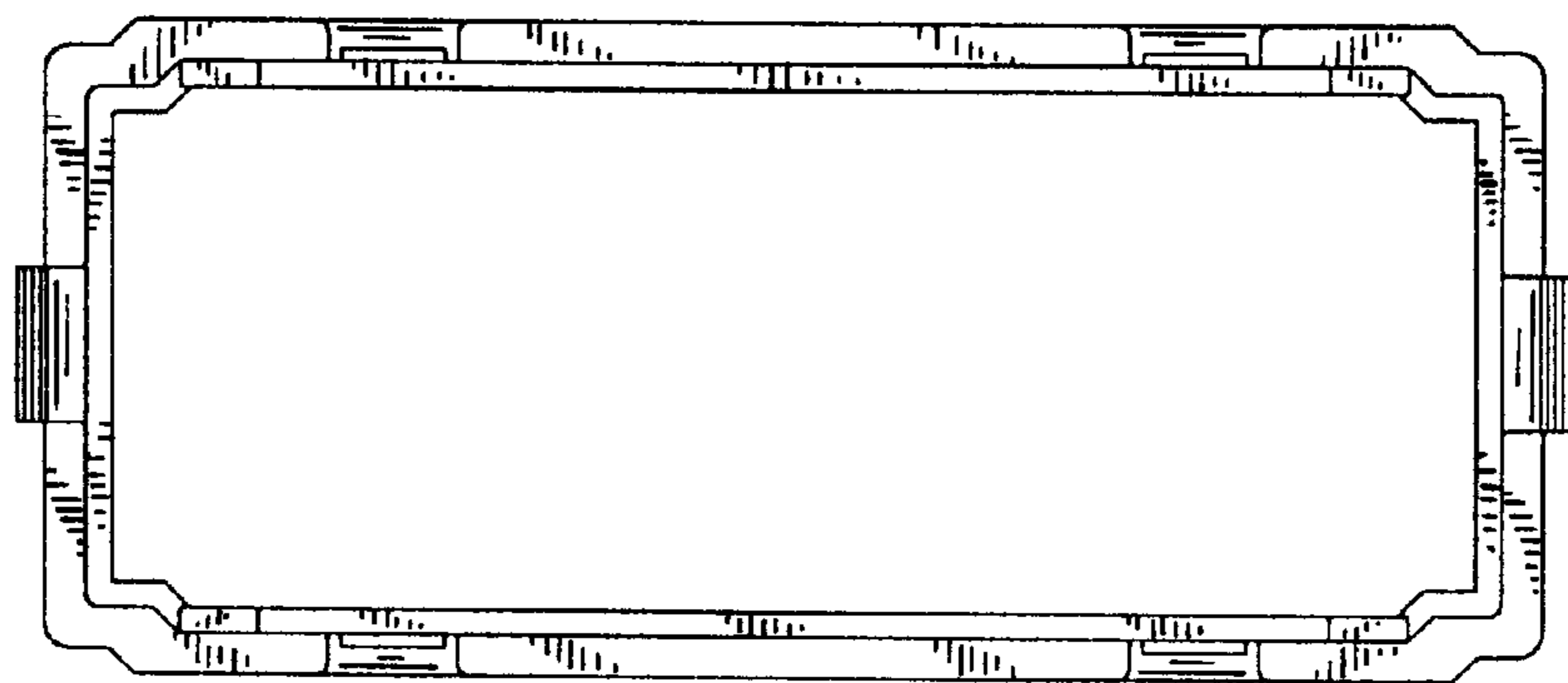


FIG. 3

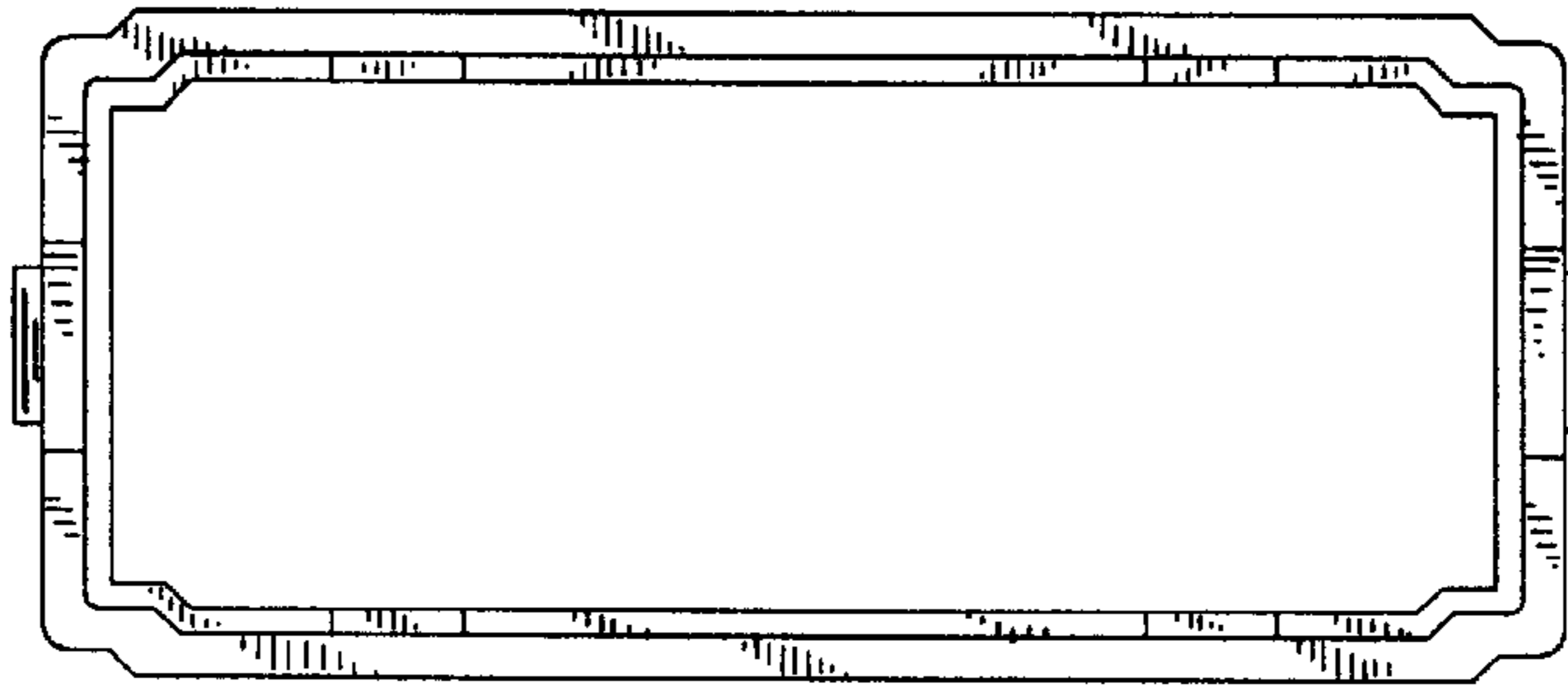


FIG. 4

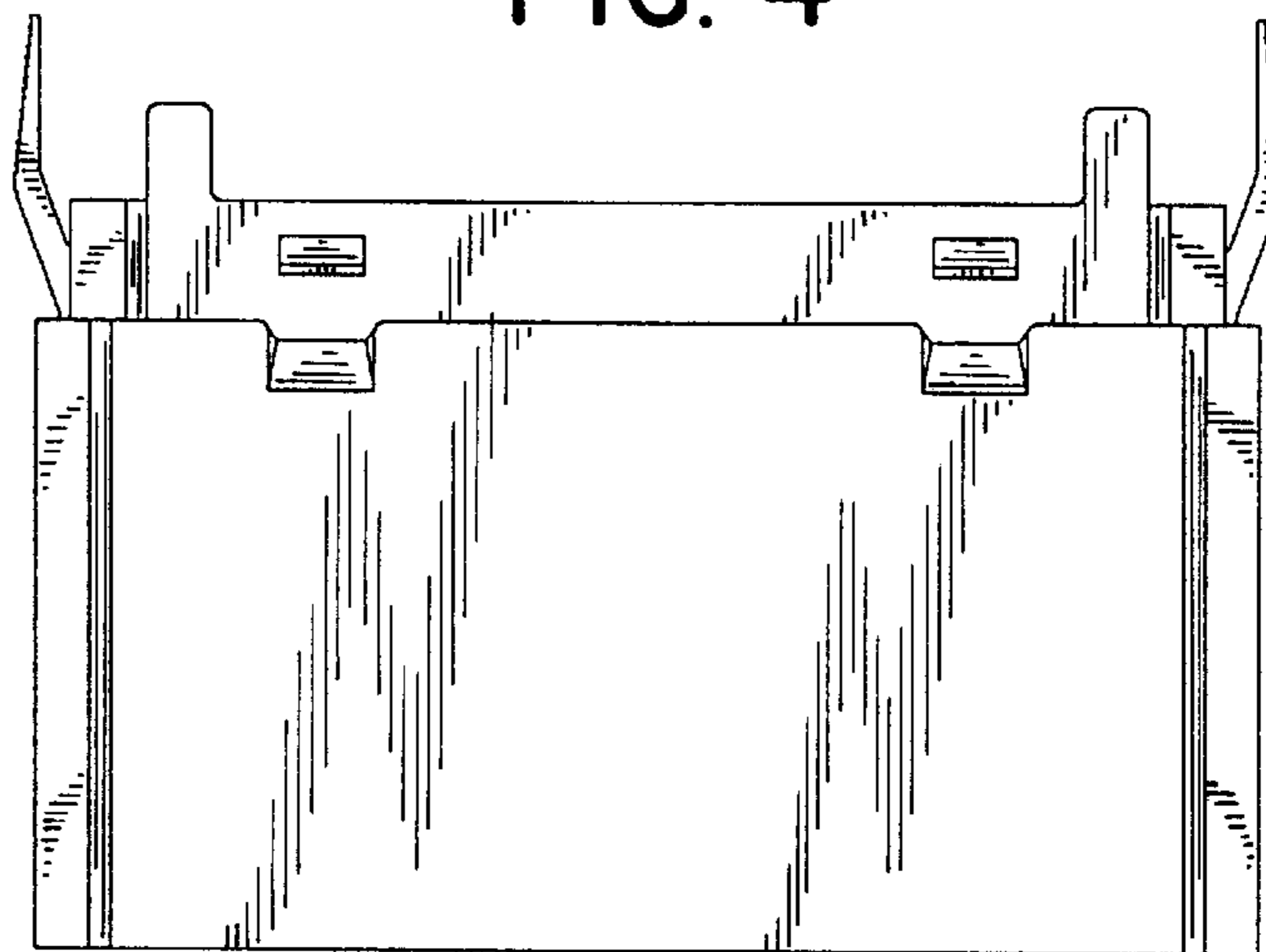


FIG. 5

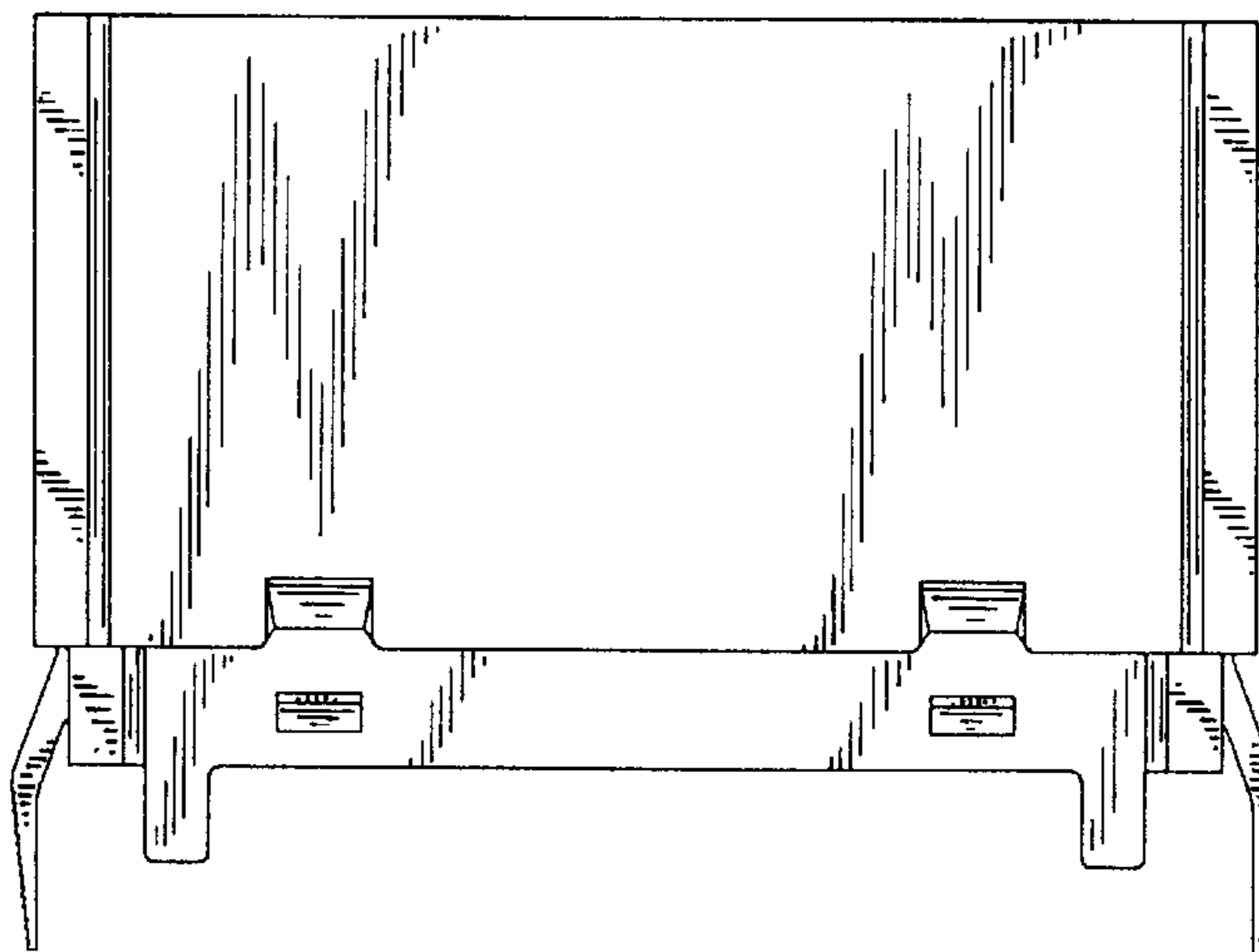


FIG. 6

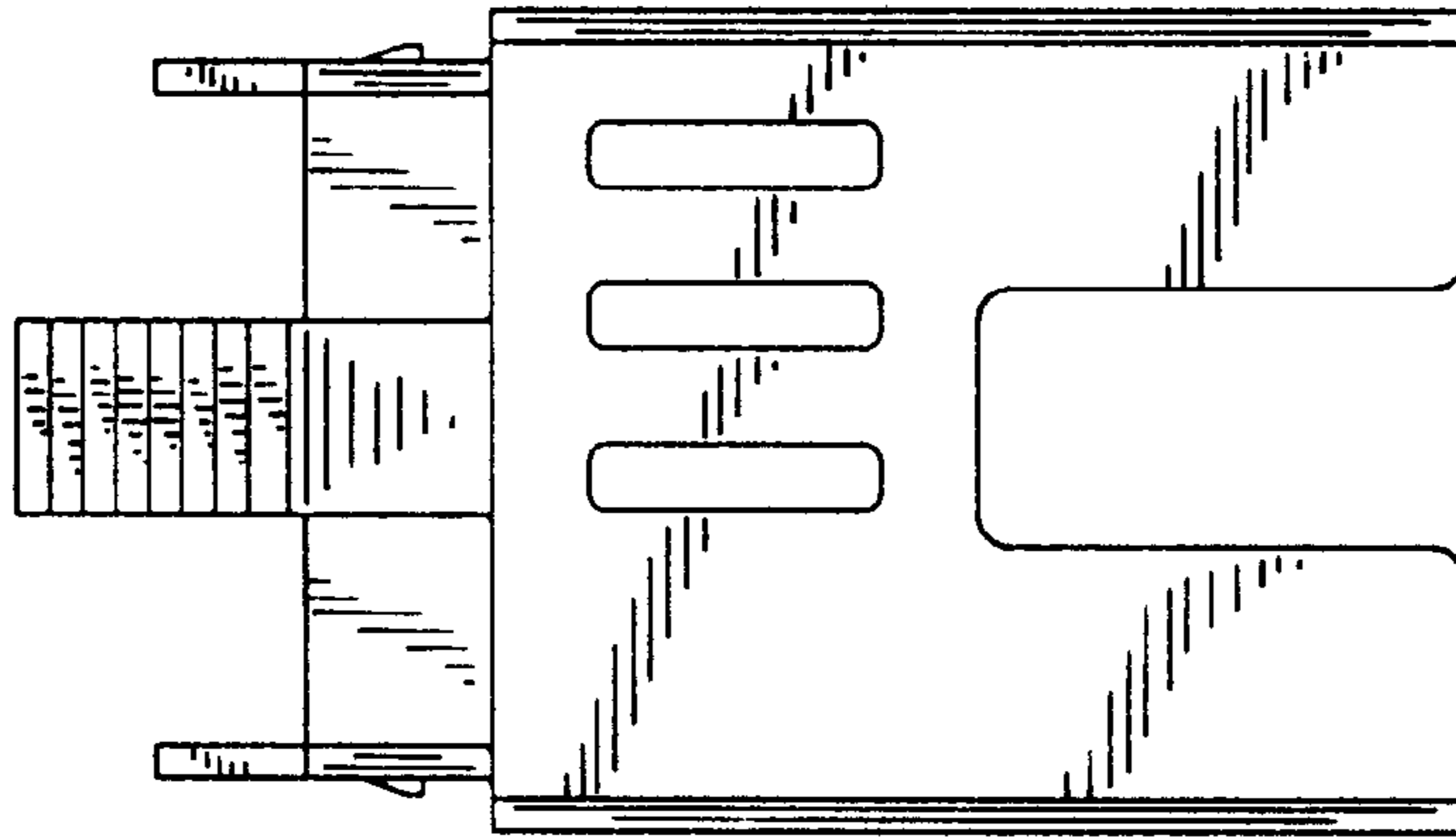


FIG. 7

