



US00D432924S

United States Patent [19]

Versace

[11] **Patent Number: Des. 432,924**

[45] **Date of Patent: ** Oct. 31, 2000**

[54] **WATCH CASE**

[75] **Inventor: Donatella Versace, Milan, Italy**

[73] **Assignee: Gianni Versace SpA, Milan, Italy**

[**] **Term: 14 Years**

[21] **Appl. No.: 29/112,833**

[22] **Filed: Oct. 25, 1999**

[30] Foreign Application Priority Data

Apr. 27, 1999 [XH] Hague Agreement DMA/004512

[51] **LOC (7) Cl. 10-02**

[52] **U.S. Cl. D10/30; D10/39**

[58] **Field of Search D10/1-40, 122-132;
368/280-282, 276-277, 285**

[56] References Cited

U.S. PATENT DOCUMENTS

- D. 26,421 12/1896 Dueber D10/37
- D. 250,693 1/1979 Perrin D10/39
- D. 302,132 7/1989 Woomer D10/39

- D. 361,283 8/1995 Bulgari D10/32
- D. 366,216 1/1996 Bulgari D10/39
- D. 367,429 2/1996 Bulgari D10/39
- D. 410,200 5/1999 Bulgari D10/39
- D. 416,495 11/1999 Pitteloud D10/30
- 1,907,909 5/1933 Wadsworth .

Primary Examiner—Nelson C. Holtje
Attorney, Agent, or Firm—Marguerite Del Valle

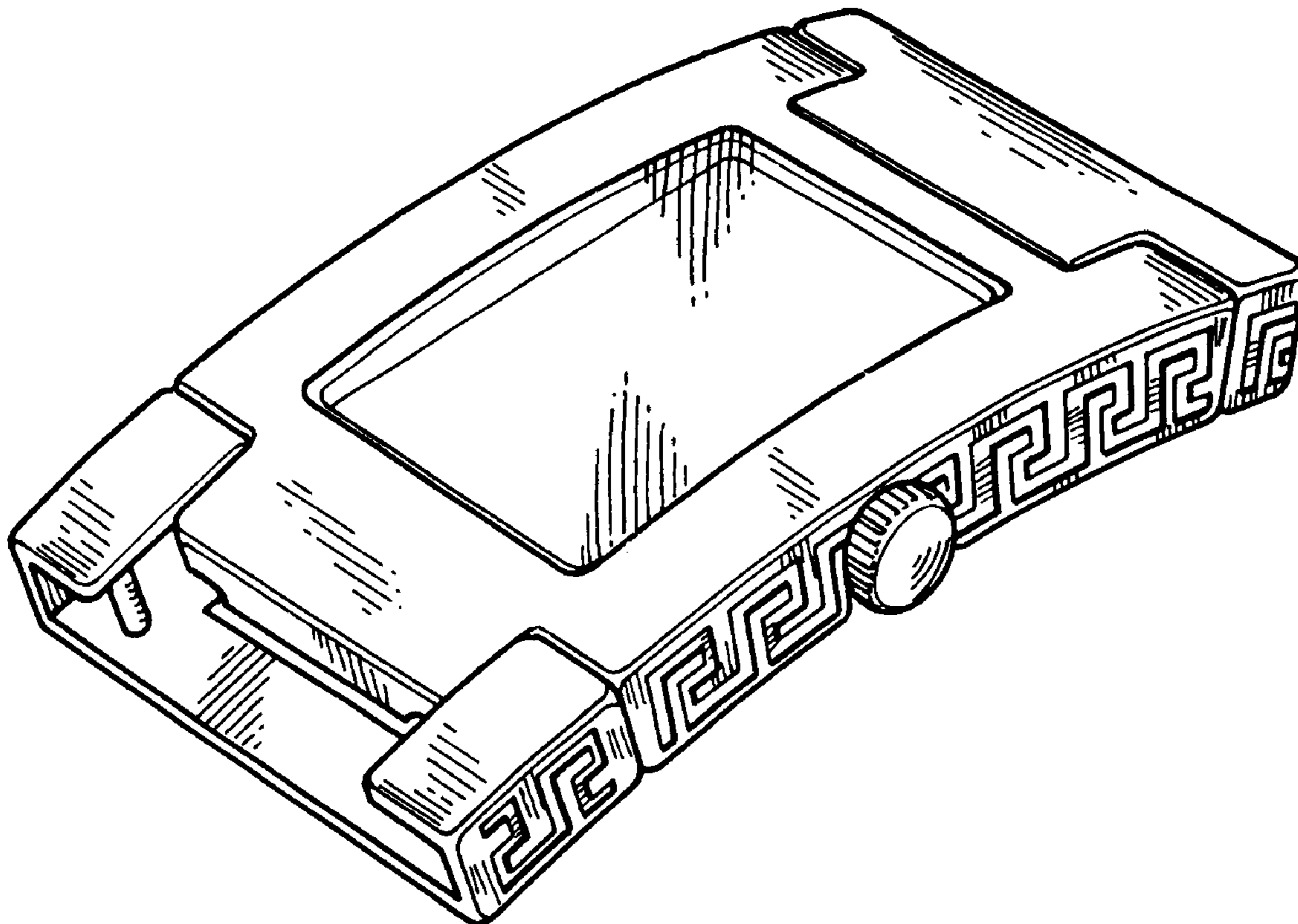
[57] CLAIM

I claim the ornamental design for the watch case, as shown and described.

DESCRIPTION

FIG. 1 is a front perspective view of the new ornamental watch case of the present invention. FIG. 2 is a front plan view thereof. FIG. 3 is a rear plan view thereof. FIG. 4 is a right side view thereof. FIG. 5 is a left side view thereof. FIG. 6 is a top plan view thereof; and, FIG. 7 is a bottom plan view thereof.

1 Claim, 2 Drawing Sheets



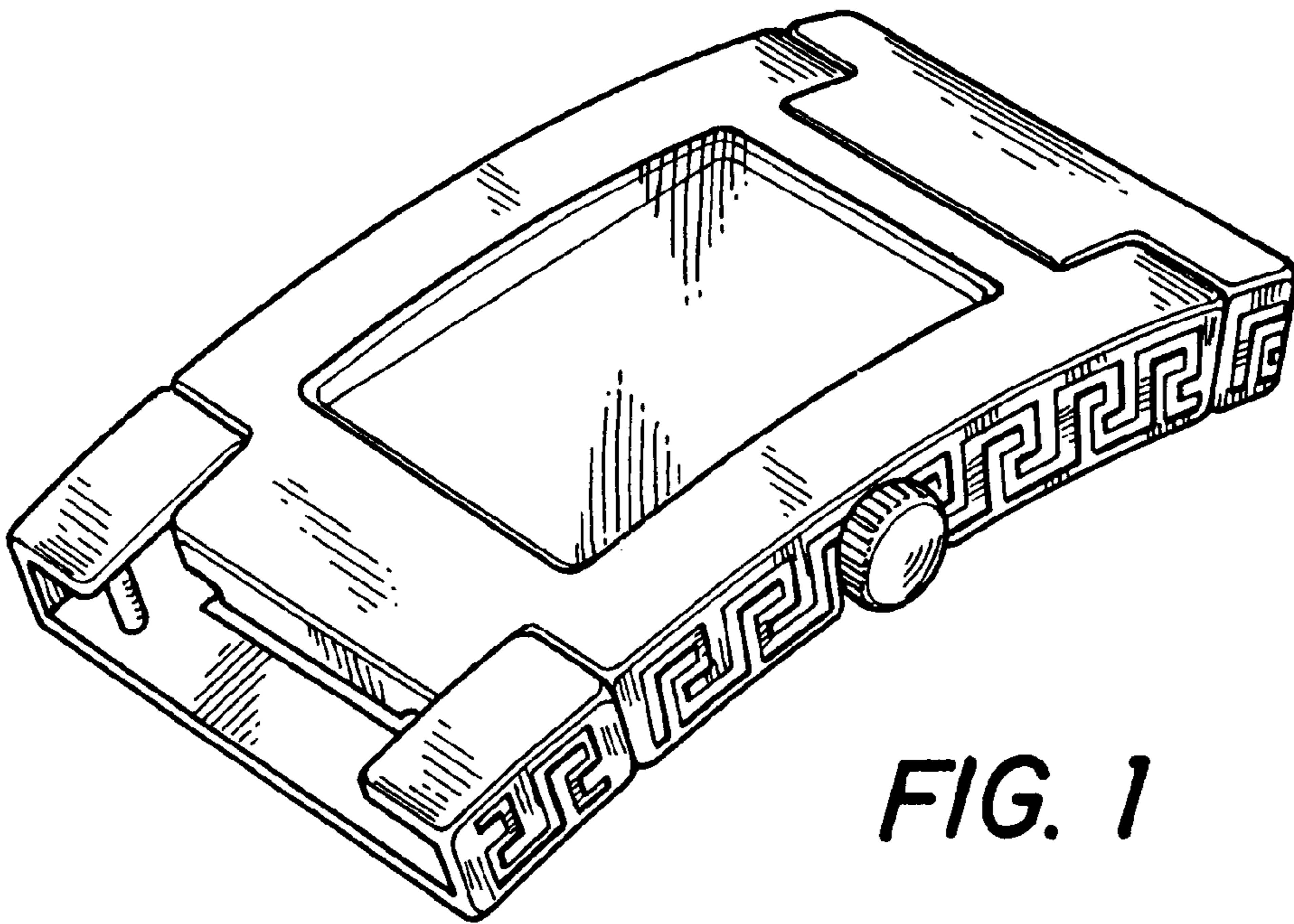


FIG. 1

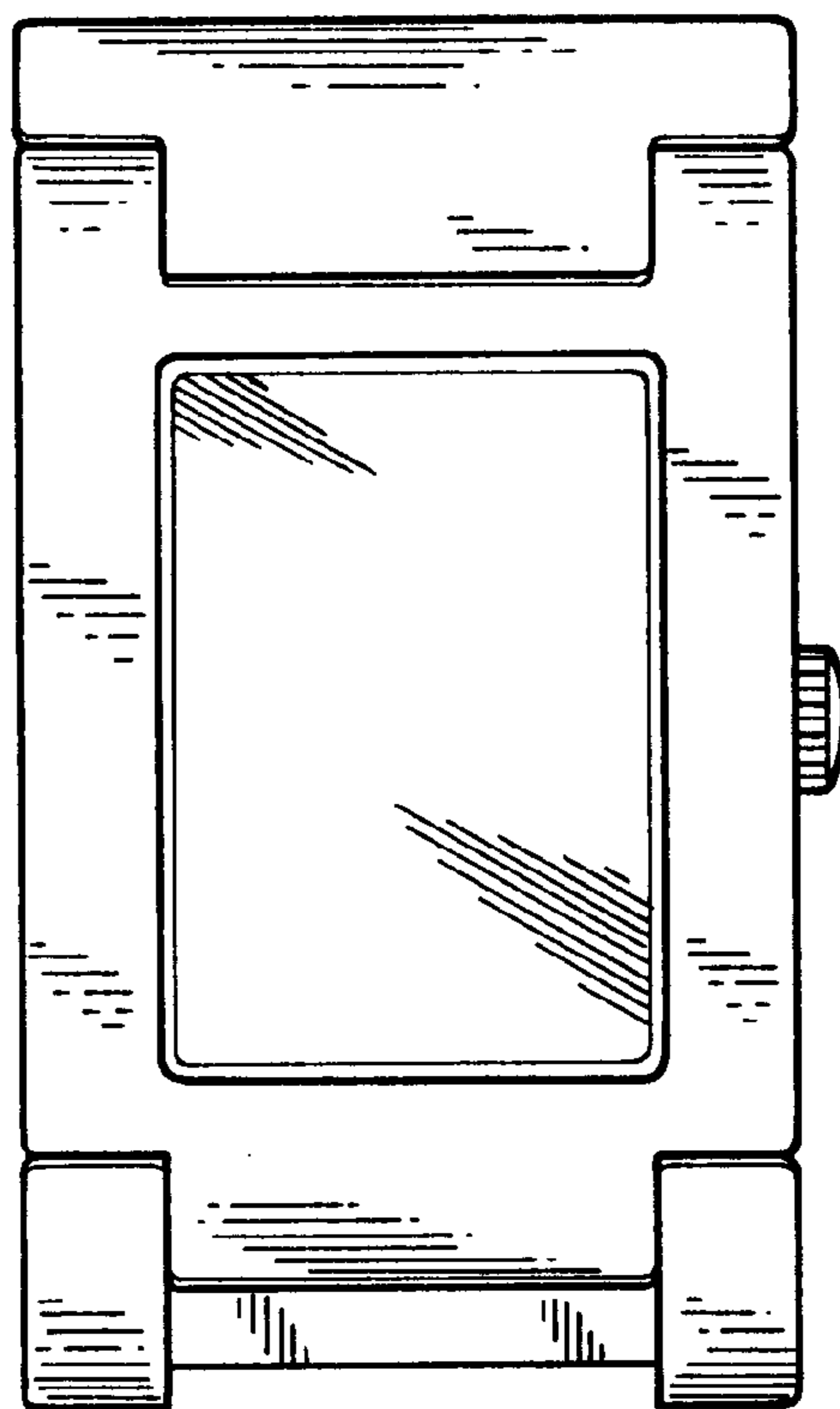


FIG. 2

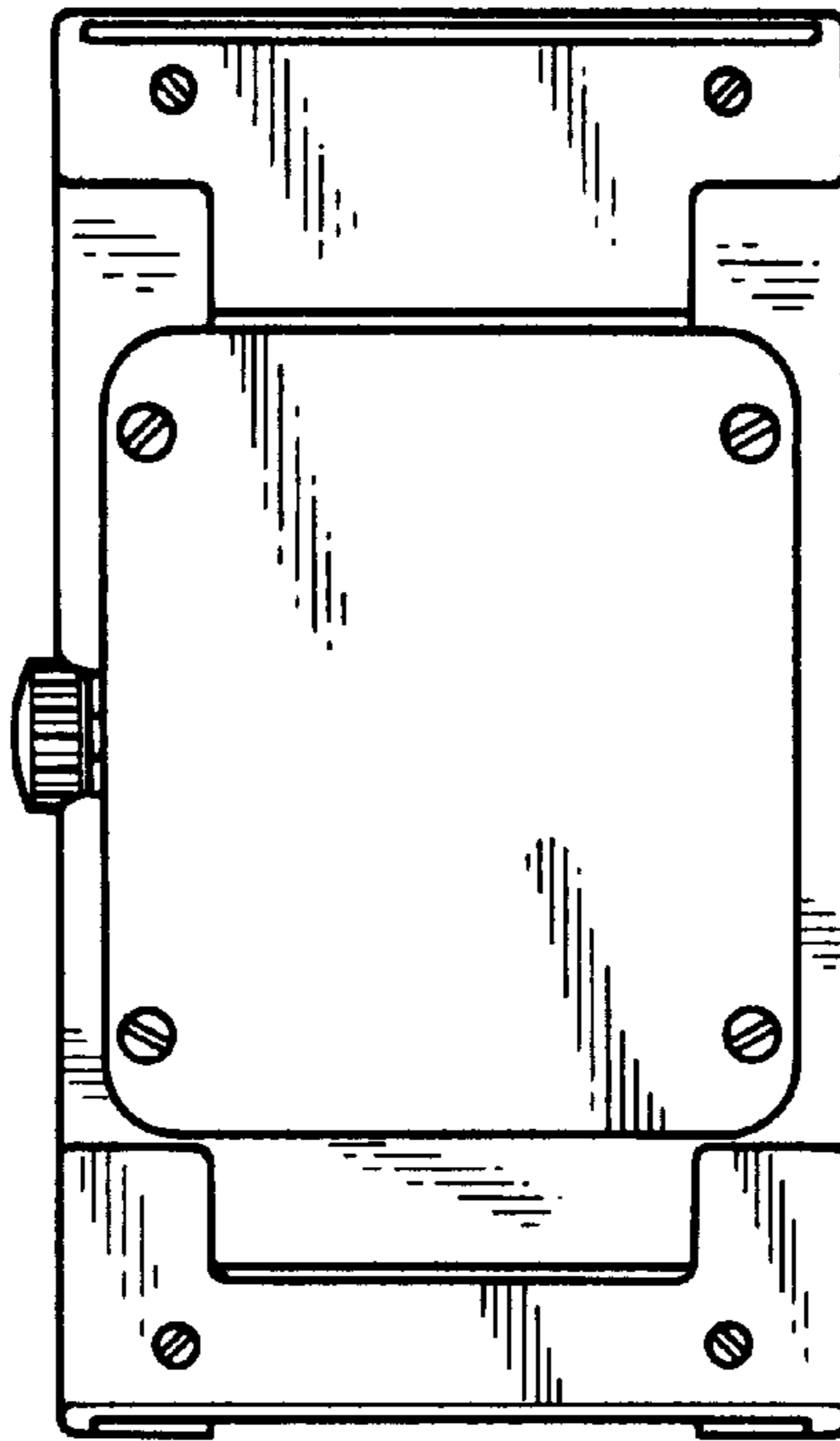


FIG. 3

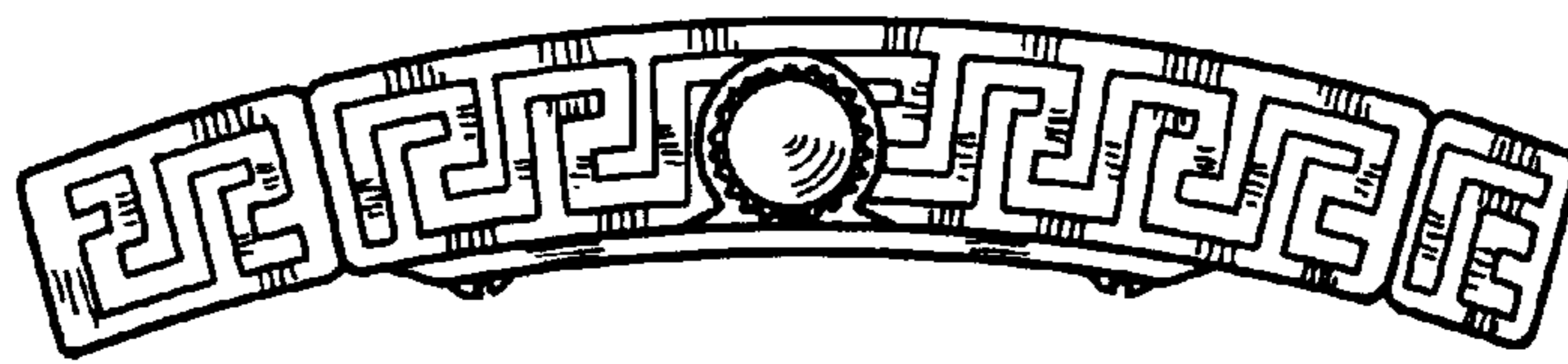


FIG. 4

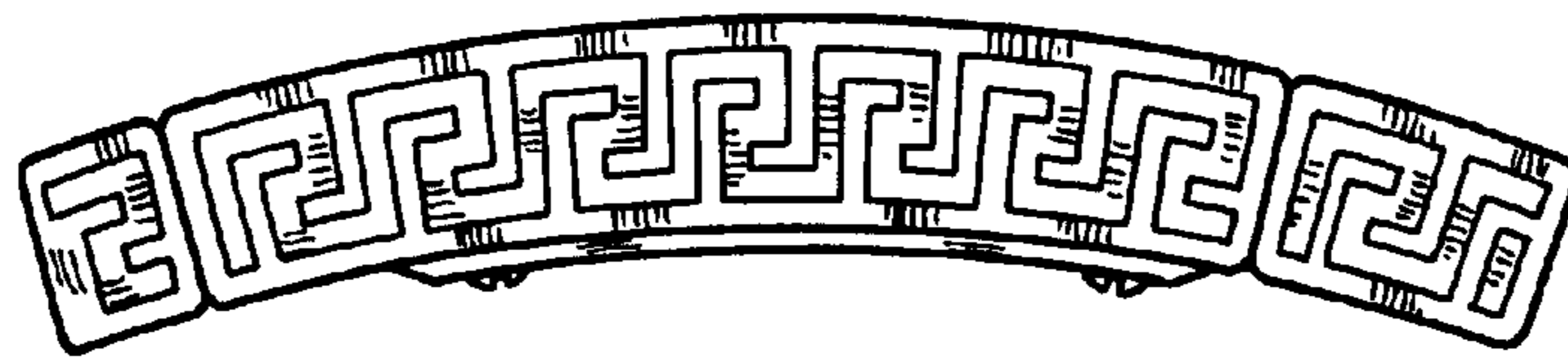


FIG. 5

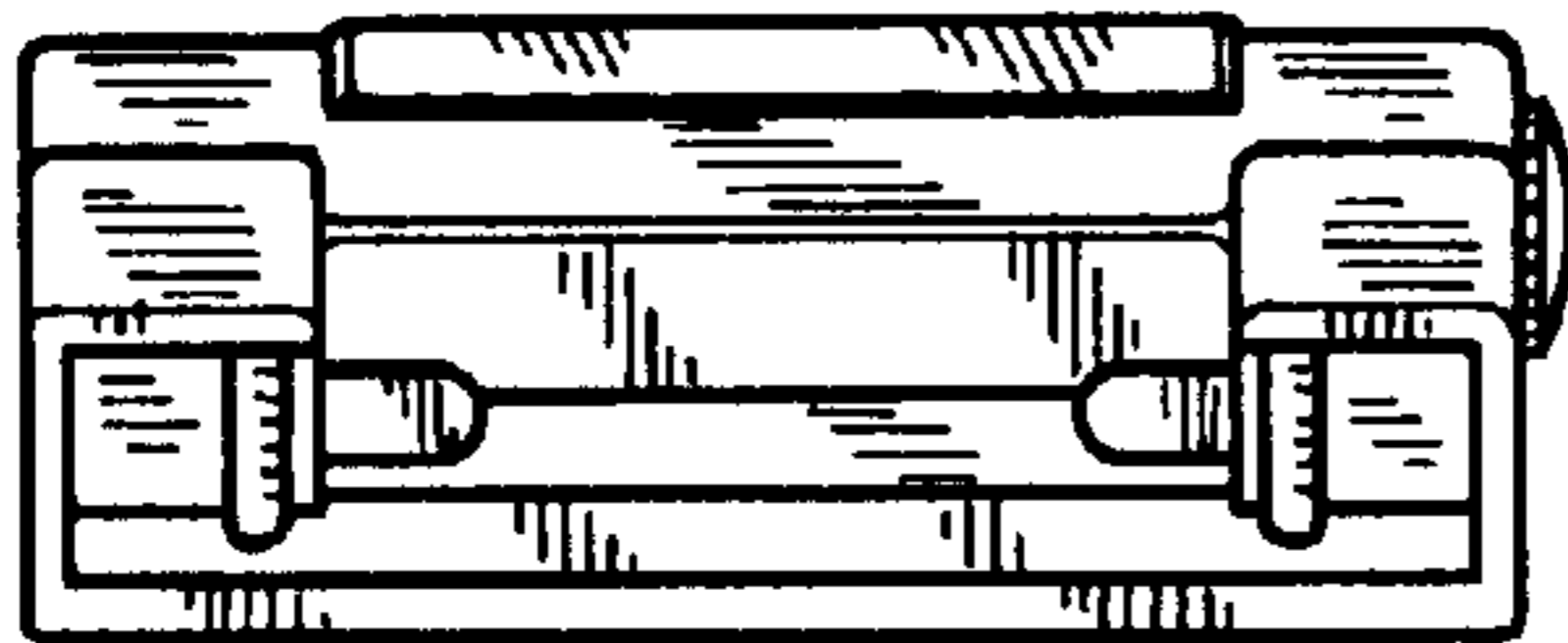


FIG. 6

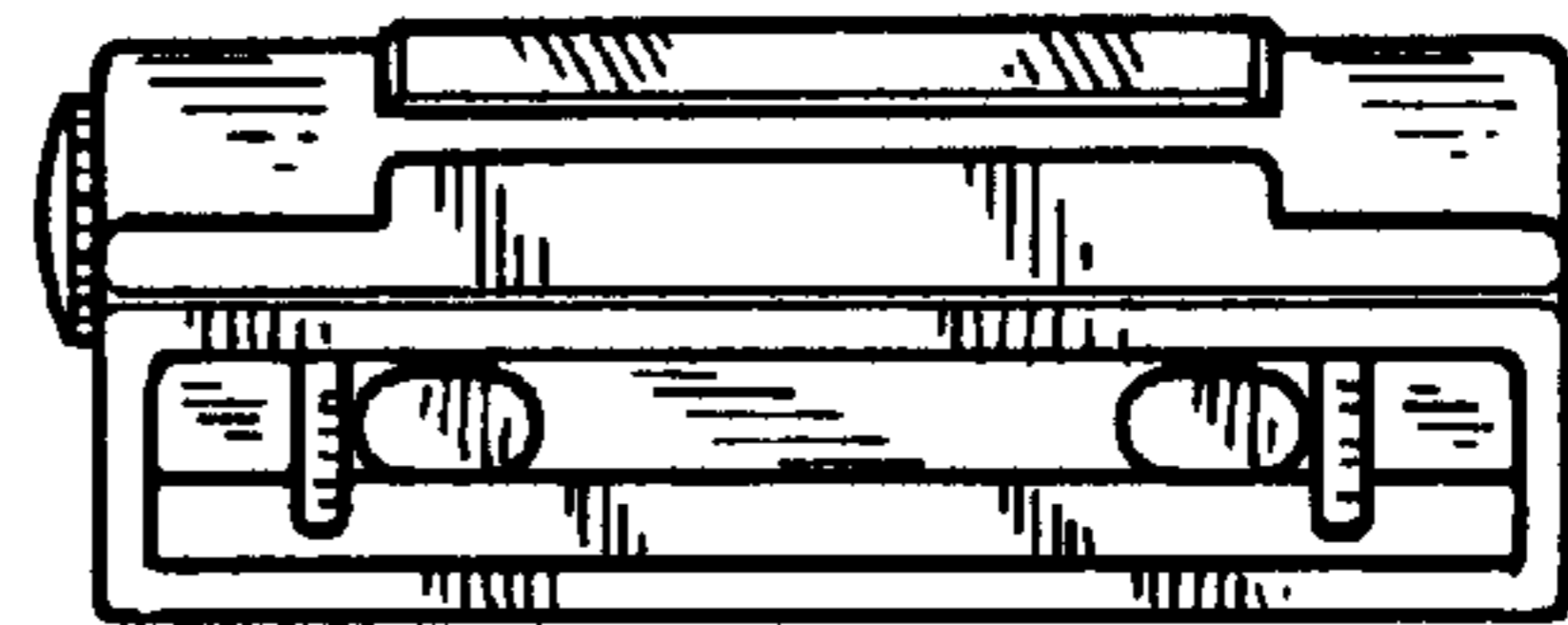


FIG. 7