



US00D432916S

United States Patent [19]

Drinkwater et al.

[11] Patent Number: **Des. 432,916**

[45] Date of Patent: **** Oct. 31, 2000**

[54] CONTAINER END CAP

[75] Inventors: **Wayne D. Drinkwater**, Fairport; **David B. Playfair**, Penfield; **Jan M. Enderle**, Rochester; **Frederick A. Philbrick**, Walworth, all of N.Y.

[73] Assignee: **Xerox Corporation**, Stamford, Conn.

[**] Term: **14 Years**

[21] Appl. No.: **29/110,083**

[22] Filed: **Aug. 30, 1999**

[51] LOC (7) Cl. **09-07**

[52] U.S. Cl. **D9/447; D9/435; D18/43**

[58] Field of Search D9/434, 435, 447, D9/300; D18/40, 43, 56; 215/200, 263, 307, 317; 399/24, 25, 27, 31, 106

[56] **References Cited**

U.S. PATENT DOCUMENTS

D. 356,034 3/1995 Sugrue D9/435

D. 386,644 11/1997 Orrico et al. D7/300
D. 402,557 12/1998 Klima, Jr. et al. D9/448
D. 402,558 12/1998 Klima, Jr. et al. D9/448
D. 402,559 12/1998 Klima, Jr. et al. D9/448
D. 425,421 5/2000 Klima, Jr. et al. D9/448
3,454,181 7/1969 Riss et al. D9/452 X

Primary Examiner—Robert M. Spear

[57] **CLAIM**

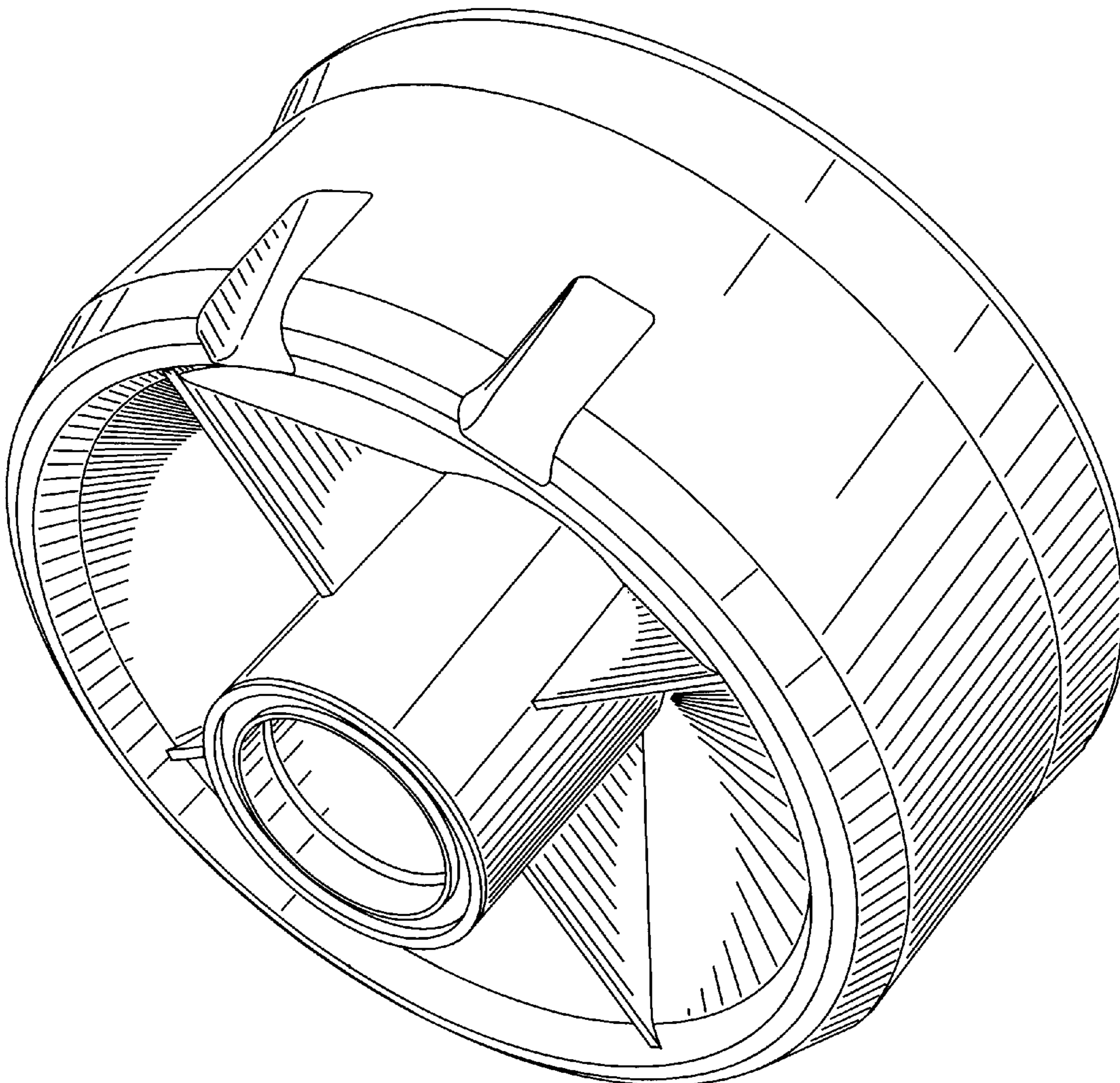
The ornamental design for a container end cap, as shown.

DESCRIPTION

FIG. 1 is a frontal perspective view of a container end cap, showing my new design;
FIG. 2 is a front view thereof;
FIG. 3 is a right side view thereof;
FIG. 4 is a left side view thereof;
FIG. 5 is a top view thereof; and,
FIG. 6 is a bottom view thereof.

The surfaces or portions of the article not shown in the drawing or described in the specification form no part of the claimed design.

1 Claim, 6 Drawing Sheets



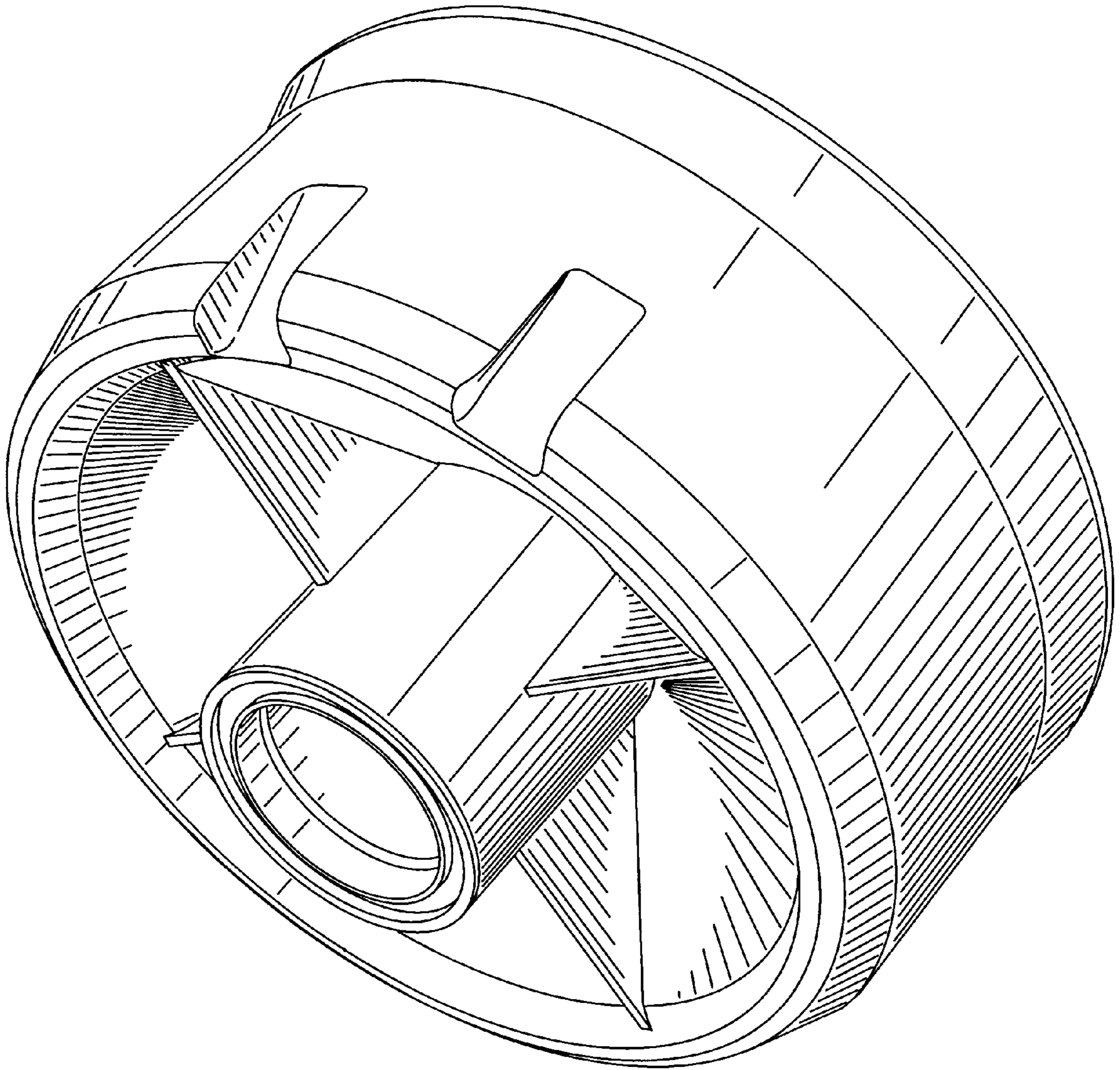


FIG. 1

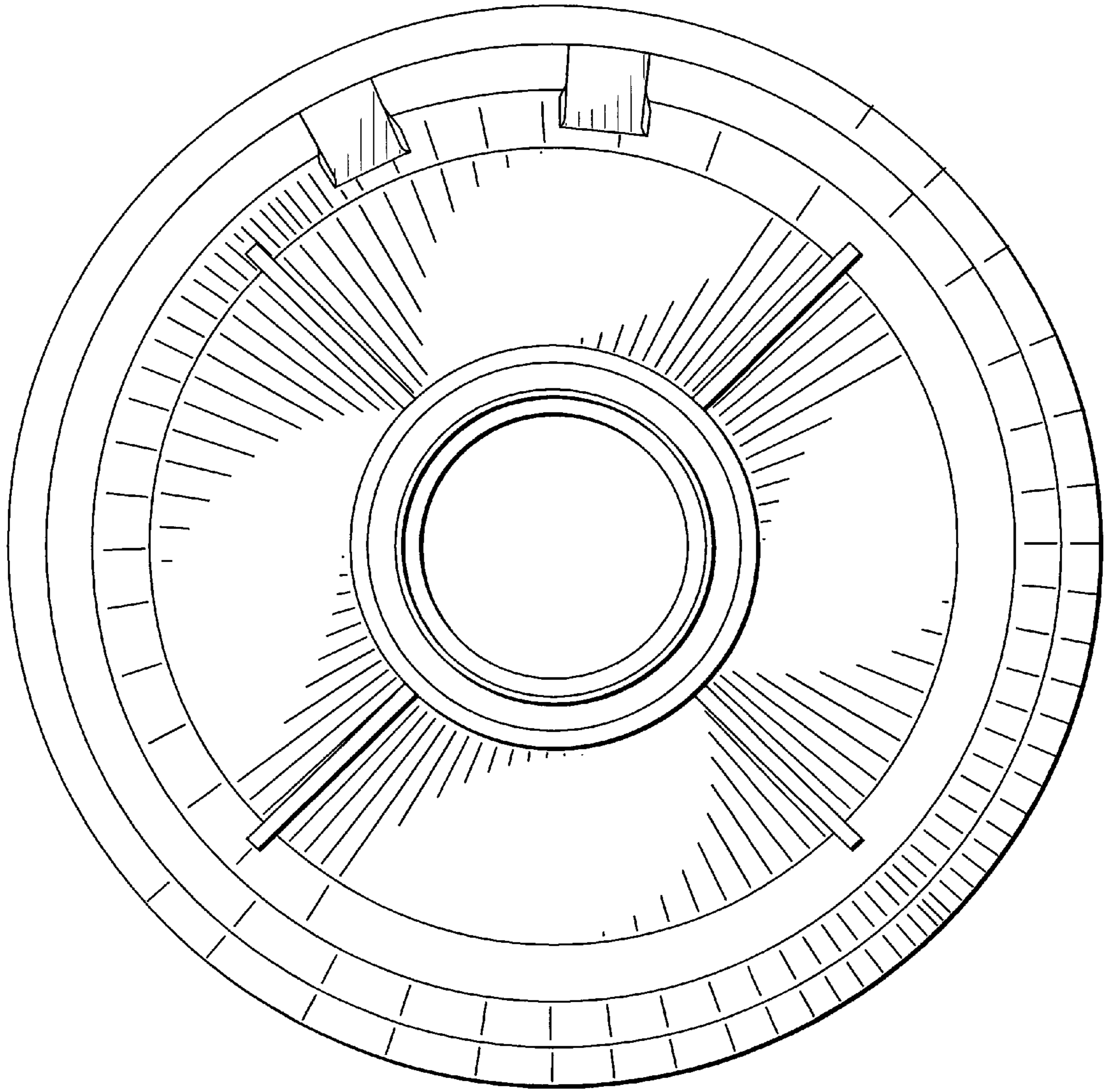


FIG. 2

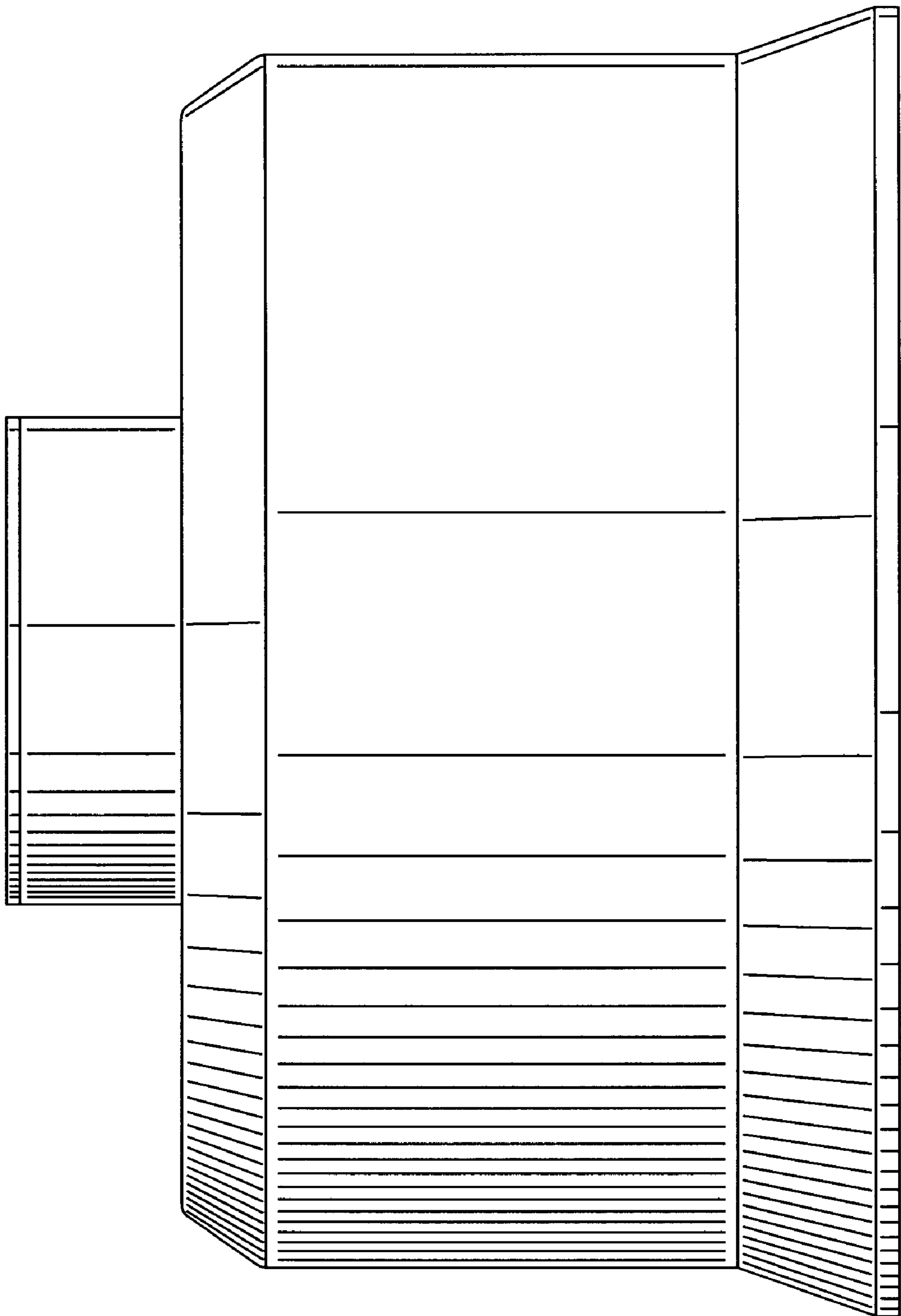


FIG. 3

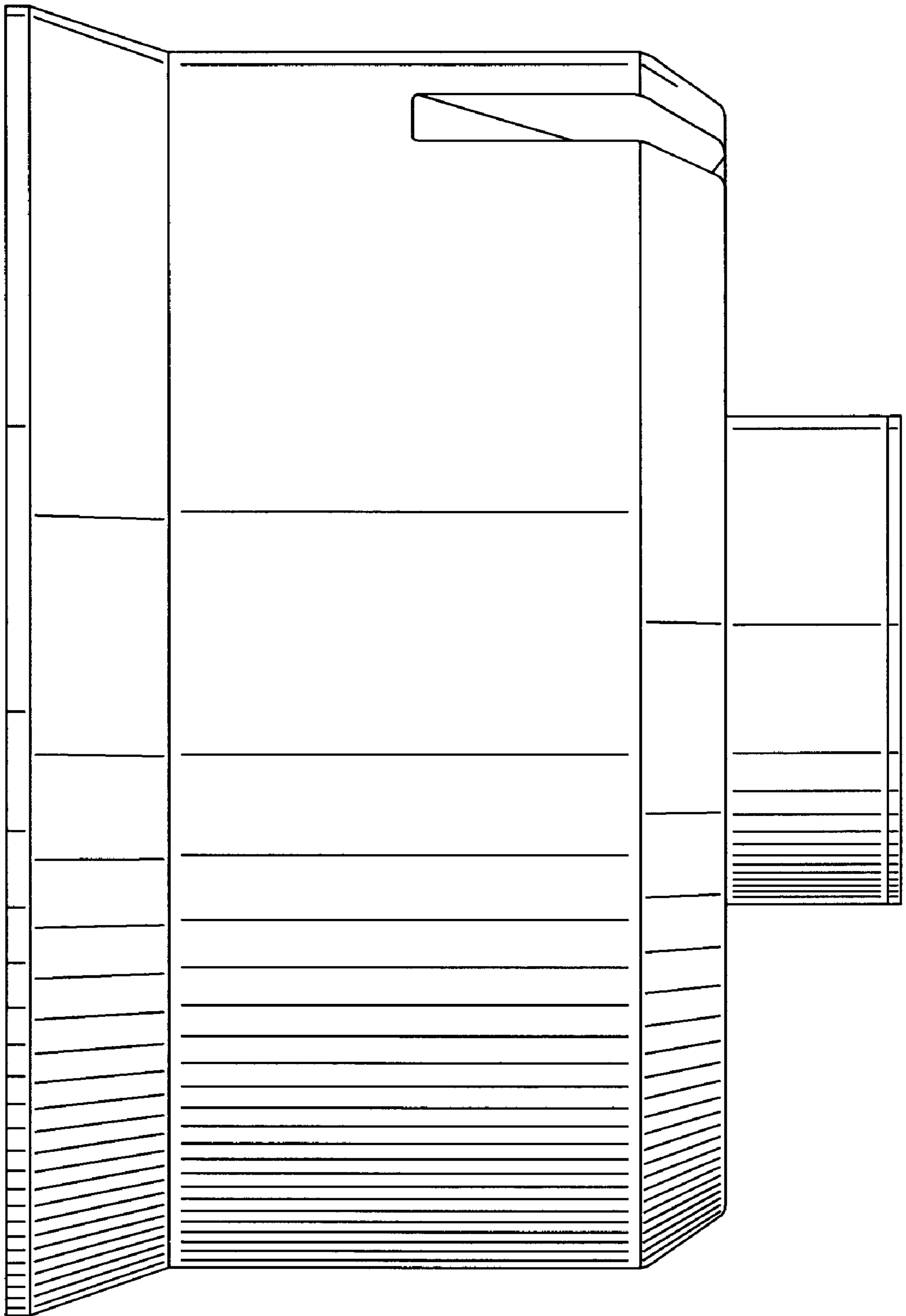


FIG. 4

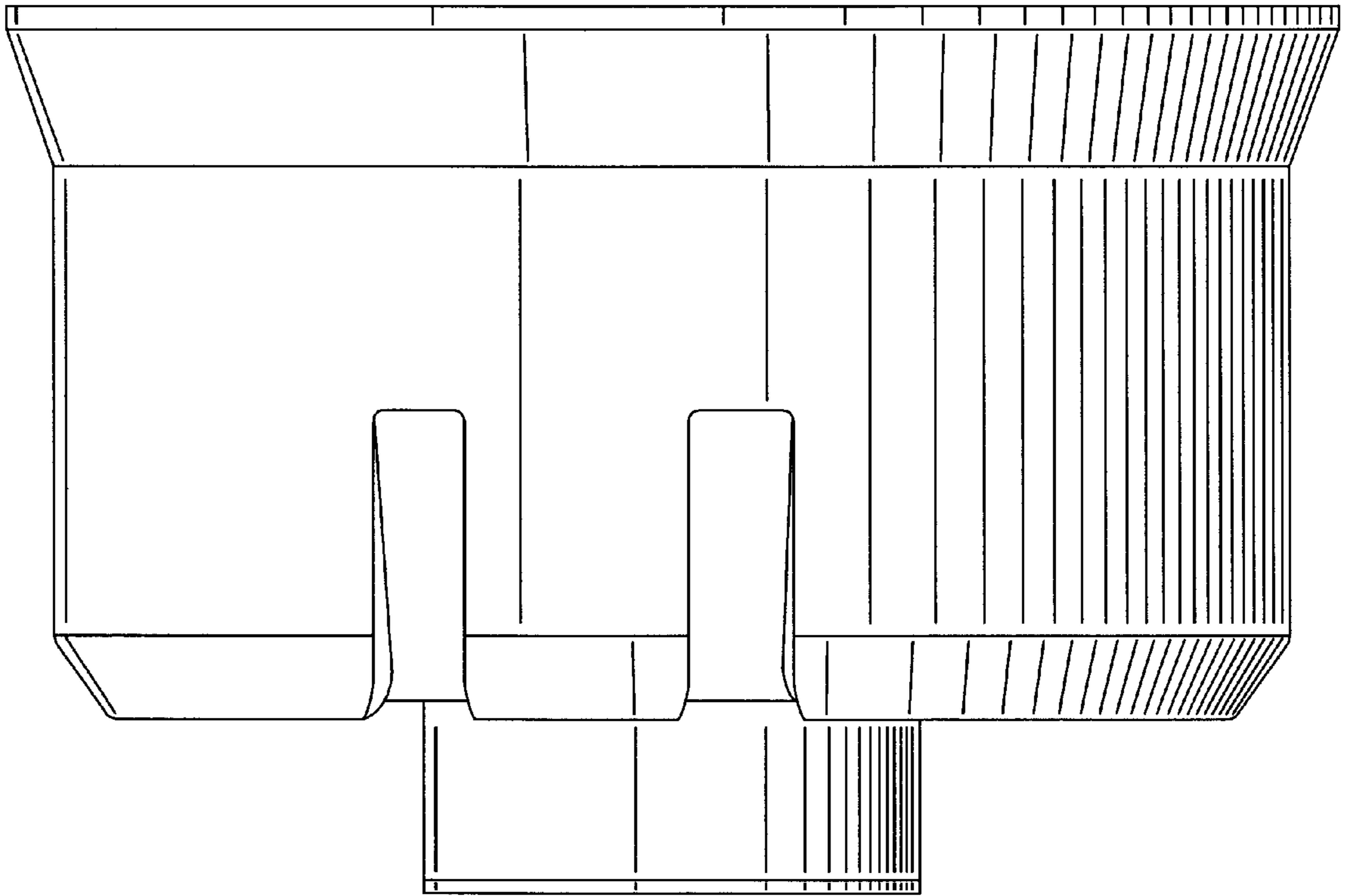


FIG. 5

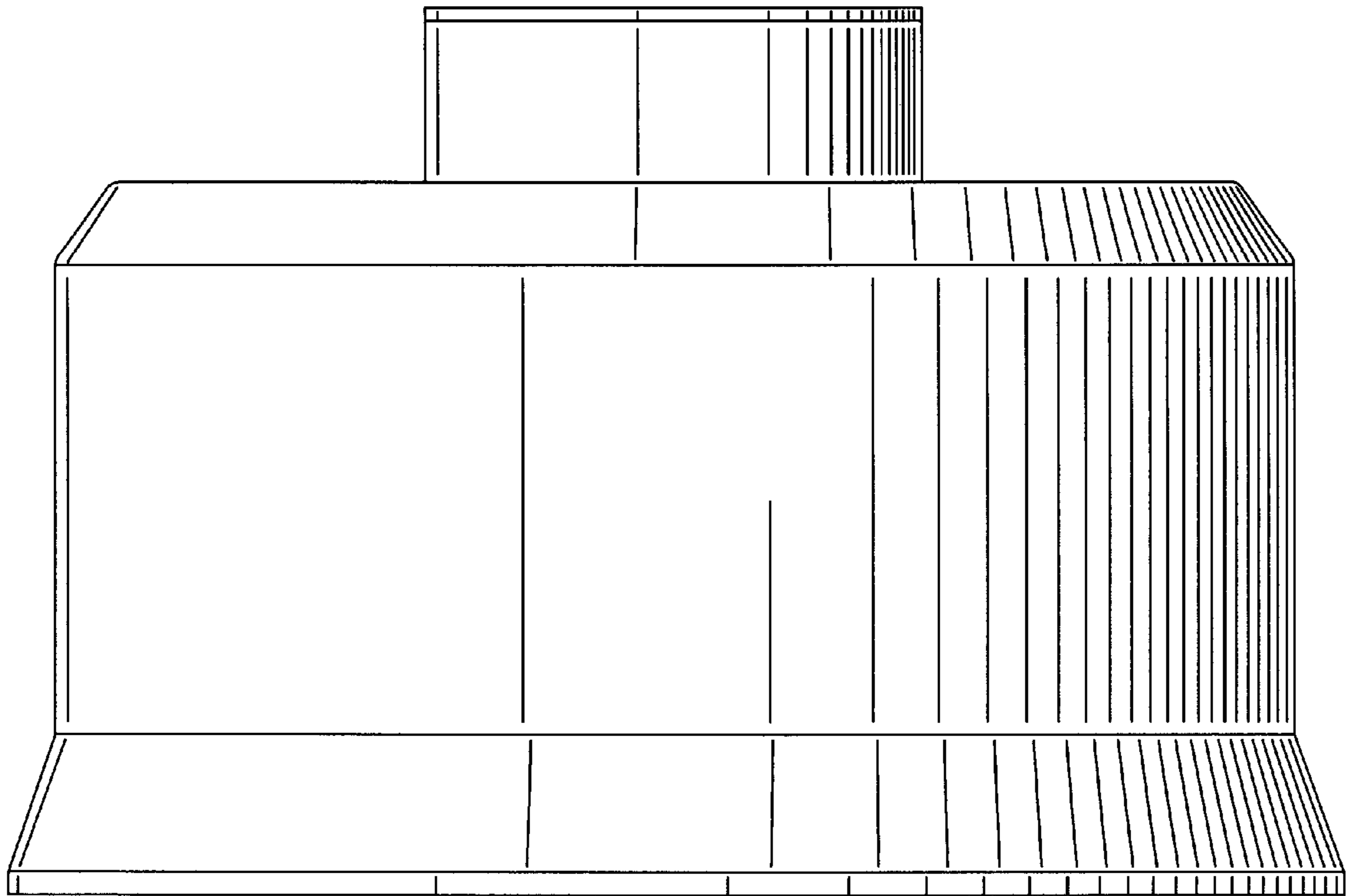


FIG. 6