



US00D432915S

United States Patent [19] Smith

[11] **Patent Number: Des. 432,915**

[45] **Date of Patent: ** Oct. 31, 2000**

[54] **COMBINED LID AND FUNNEL**
[76] Inventor: **Charles Smith**, 240 Hoffmansville Rd.,
Bechtelsville, Pa. 19505
[**] Term: **14 Years**
[21] Appl. No.: **29/116,204**
[22] Filed: **Dec. 29, 1999**

5,195,567 3/1993 Tyree, Jr. 141/331
5,228,488 7/1993 Fletcher 222/460 X
5,472,025 12/1995 Conrad et al. 141/332
5,685,351 11/1997 Kazarian et al. 215/228 X

Primary Examiner—Cathron B. Matta
Attorney, Agent, or Firm—Michael D. Lazzara; Eckert
Seamans Cherin & Mellott, LLC

Related U.S. Application Data

[63] Continuation-in-part of application No. 29/093,917, Sep. 22,
1998.
[51] **LOC (7) Cl.** **09-07**
[52] **U.S. Cl.** **D9/436**
[58] **Field of Search** D9/434, 435, 436,
D9/447, 440, 505, 544, 545; D7/700; 141/331,
332, 337, 339, 340; 215/228; 222/460

[57] CLAIM

The ornamental design for a combined lid and funnel, as
shown and described.

DESCRIPTION

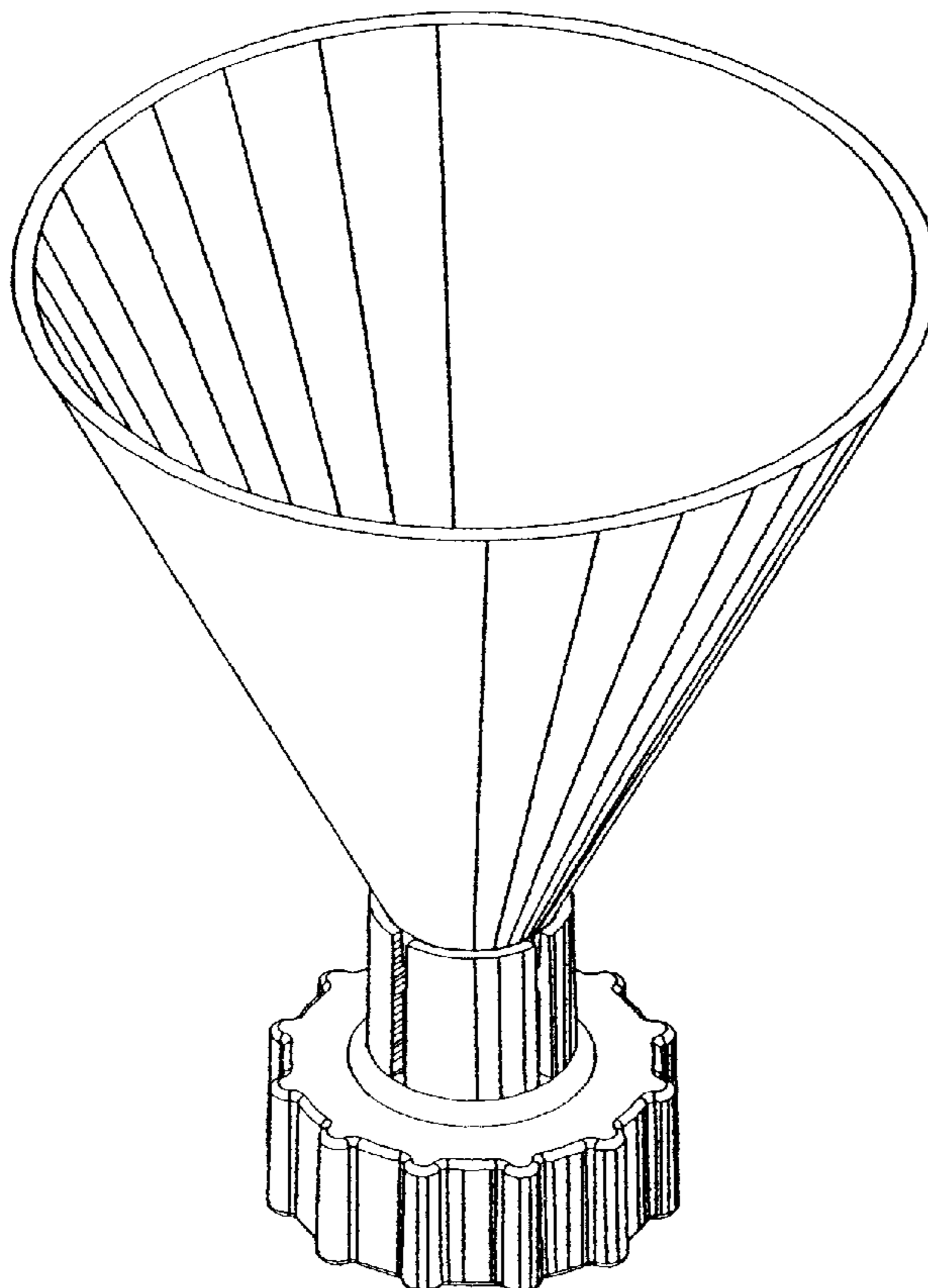
FIG. 1 is an exploded perspective view of a combined lid
and funnel according to the inventive design;
FIG. 2 is an assembled perspective view of a combined lid
and funnel according to the inventive design;
FIG. 3 is a top plan view of FIG. 2;
FIG. 4 is a right side elevational view of FIG. 2, the left side
being a mirror image of FIG. 2;
FIG. 5 is a front side elevational view of FIG. 2, the back
side being a mirror image of FIG. 2;
FIG. 6 is a bottom plan view of FIG. 2; and,
FIG. 7 is a cross-sectional view of a combined lid and funnel
taken along line 7—7 of FIG. 1, shown at an enlarged scale,
and shown without the funnel for clarity of illustration,
according to the inventive design.

[56] References Cited

U.S. PATENT DOCUMENTS

D. 146,713 4/1947 Genske D9/505 X
D. 205,236 7/1966 Fitzwilliam D7/700
D. 363,221 10/1995 Puryear D9/436
D. 369,850 5/1996 Cammack et al. D7/700 X
2,811,181 10/1957 Correll 141/340
5,074,343 12/1991 Tyree, Jr. 141/331 X

1 Claim, 3 Drawing Sheets



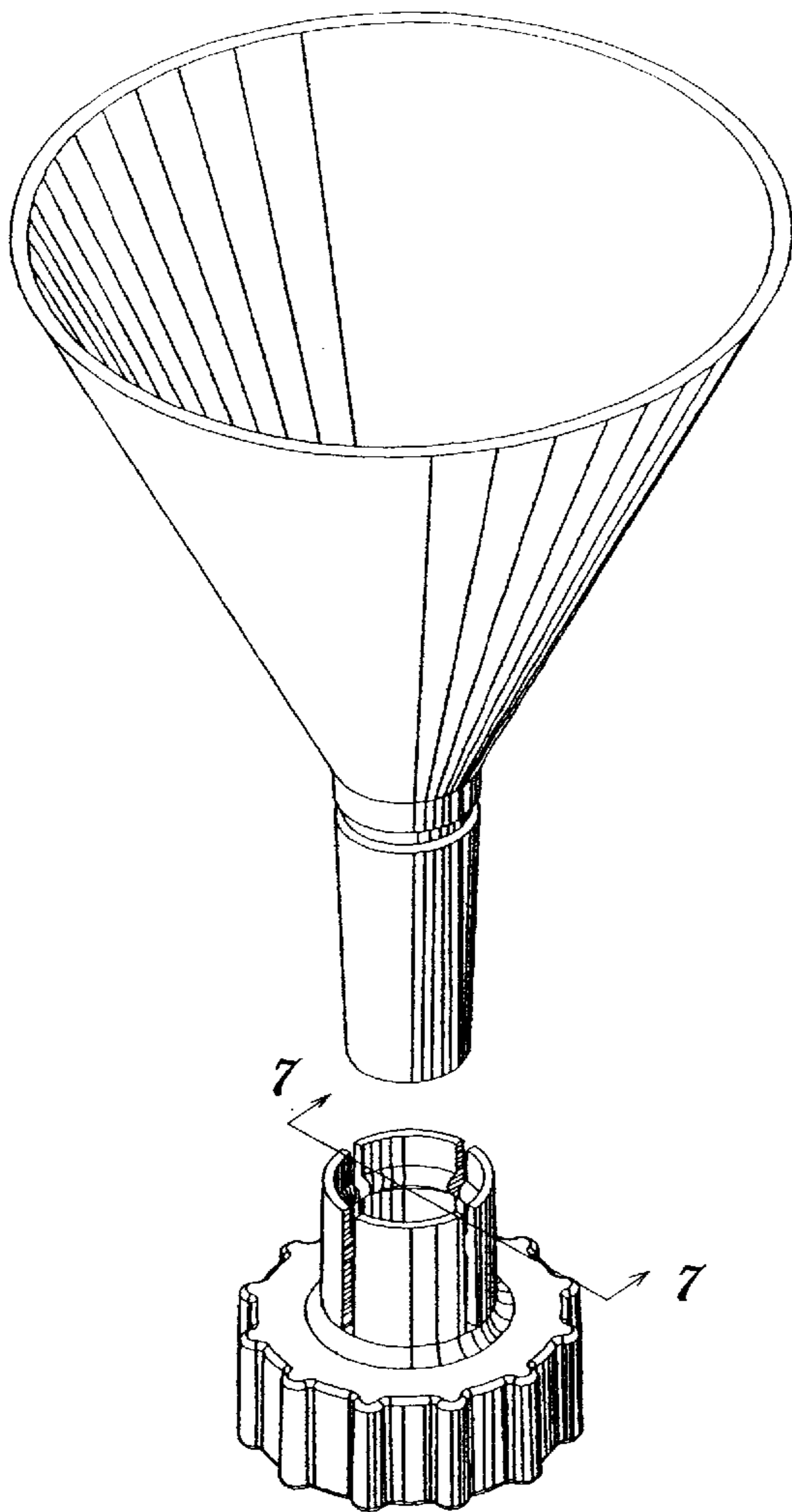


Fig. 1.

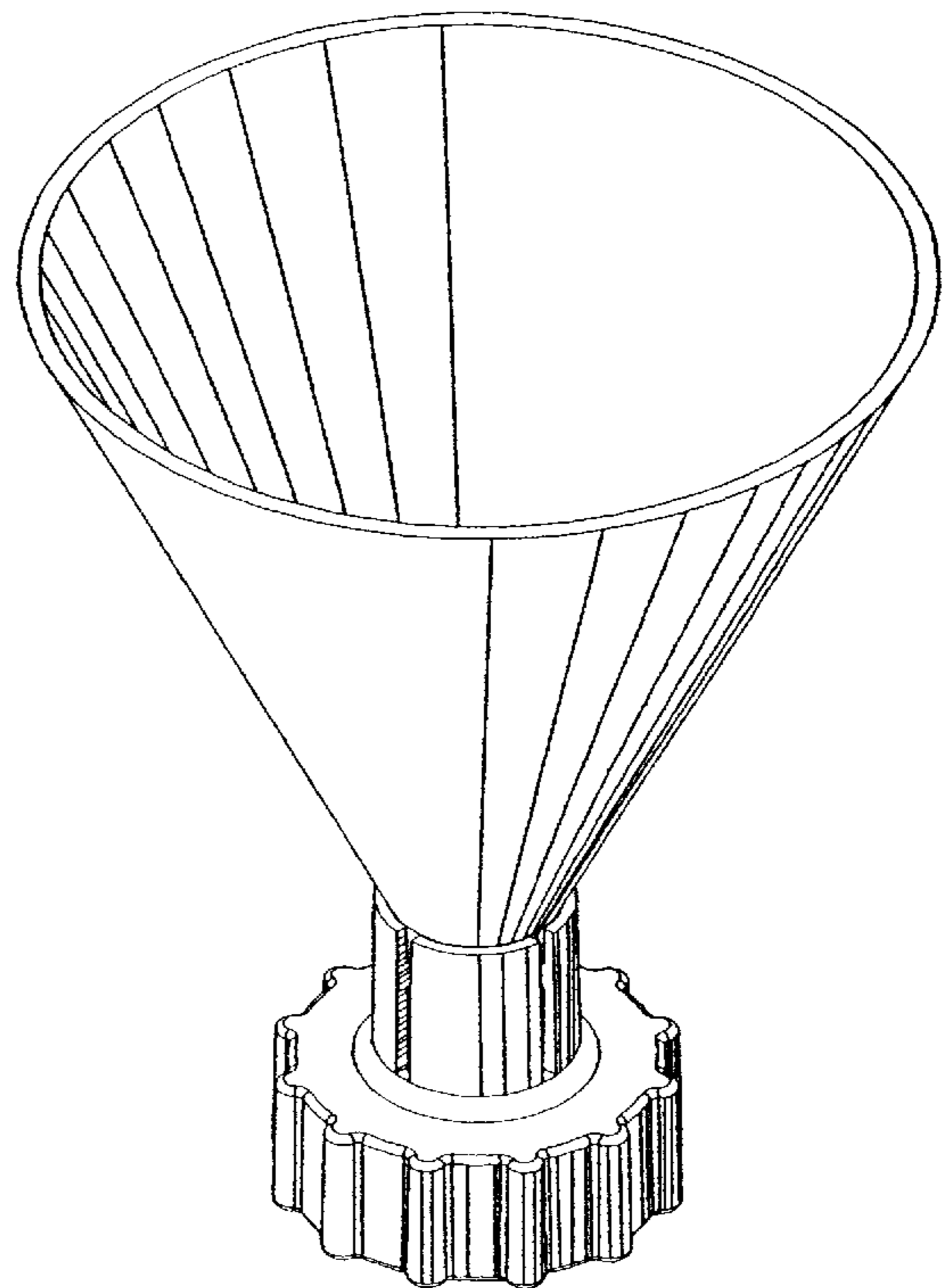


Fig. 2.

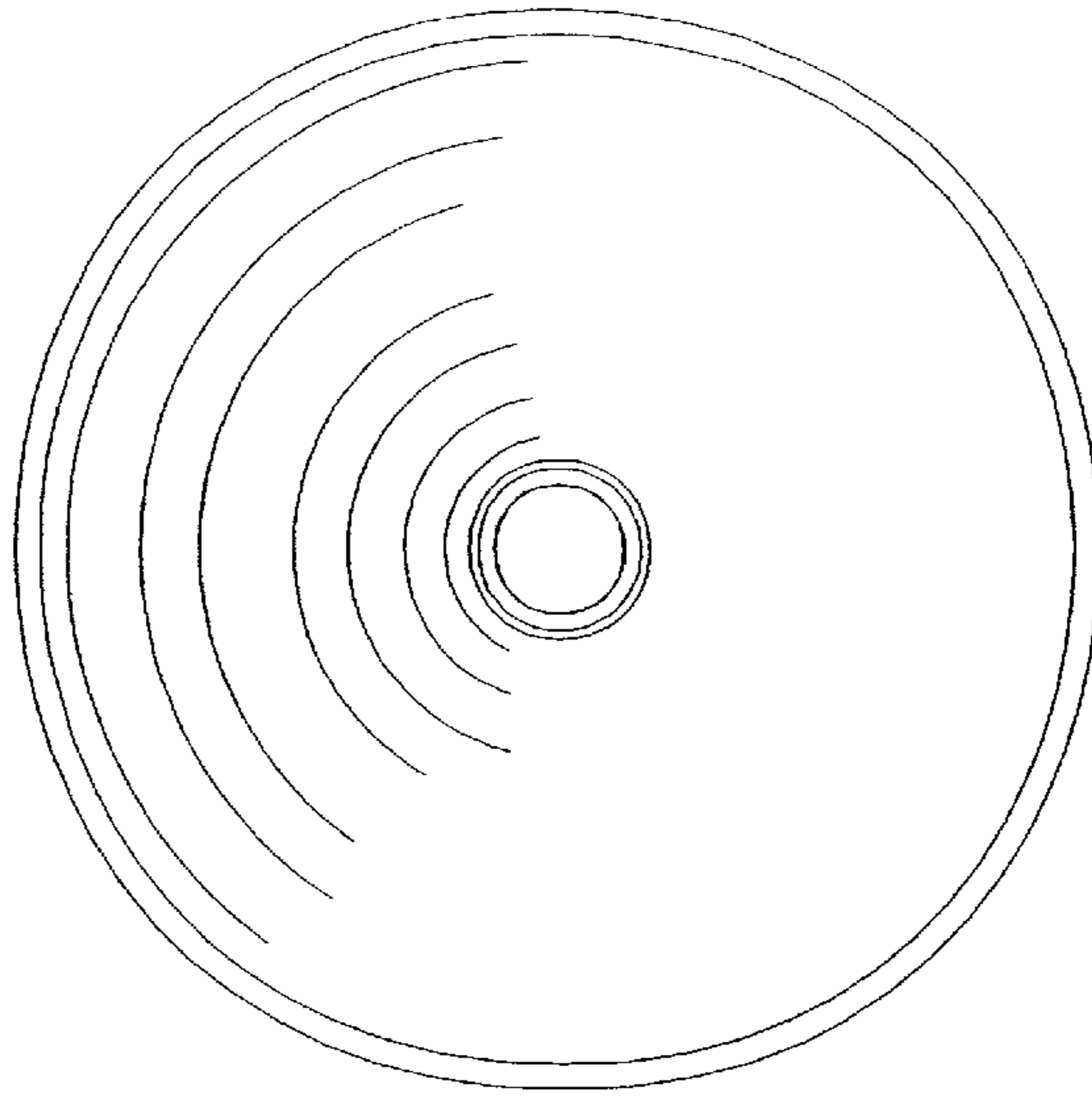


Fig. 3.

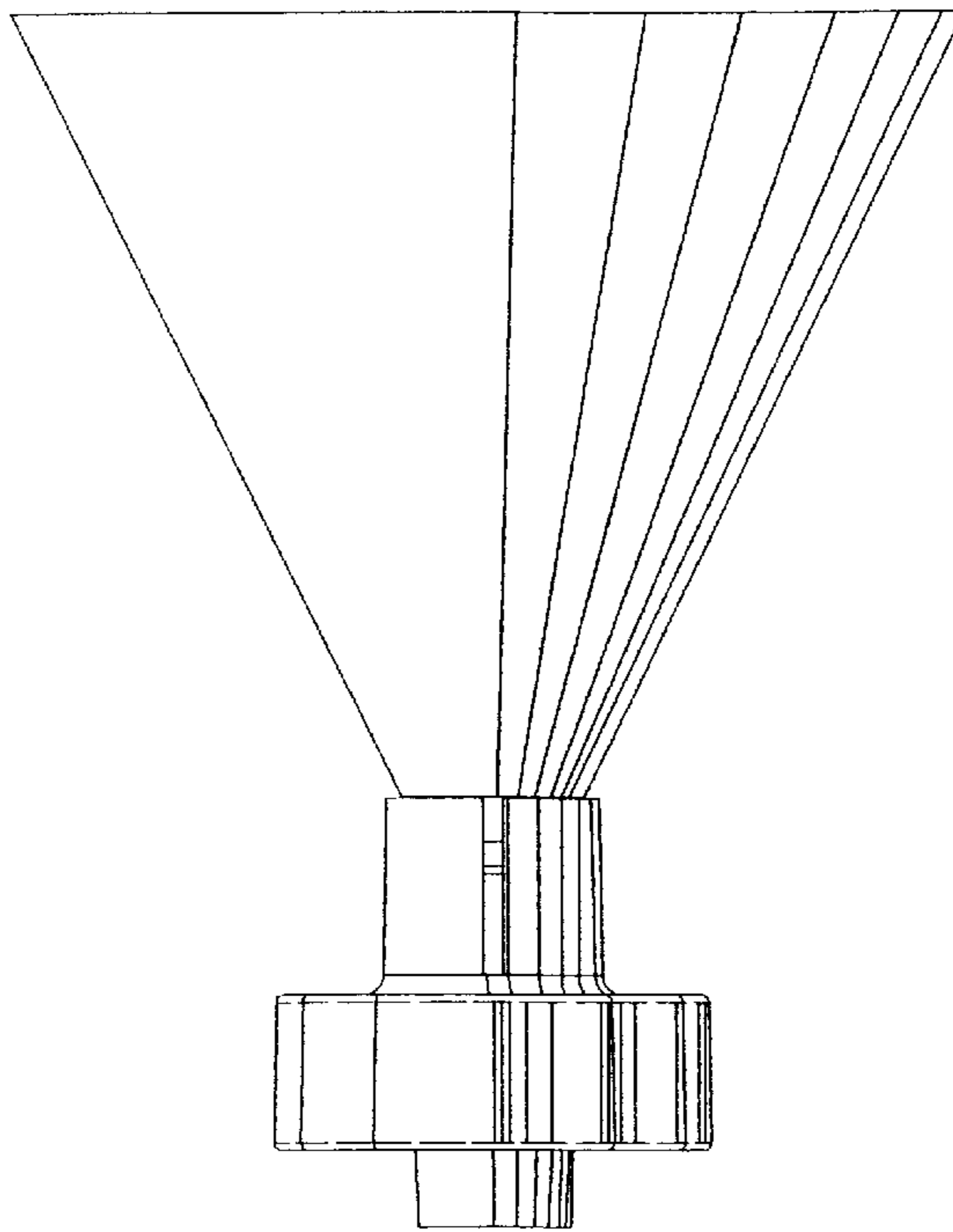


Fig. 4.

Fig. 5.

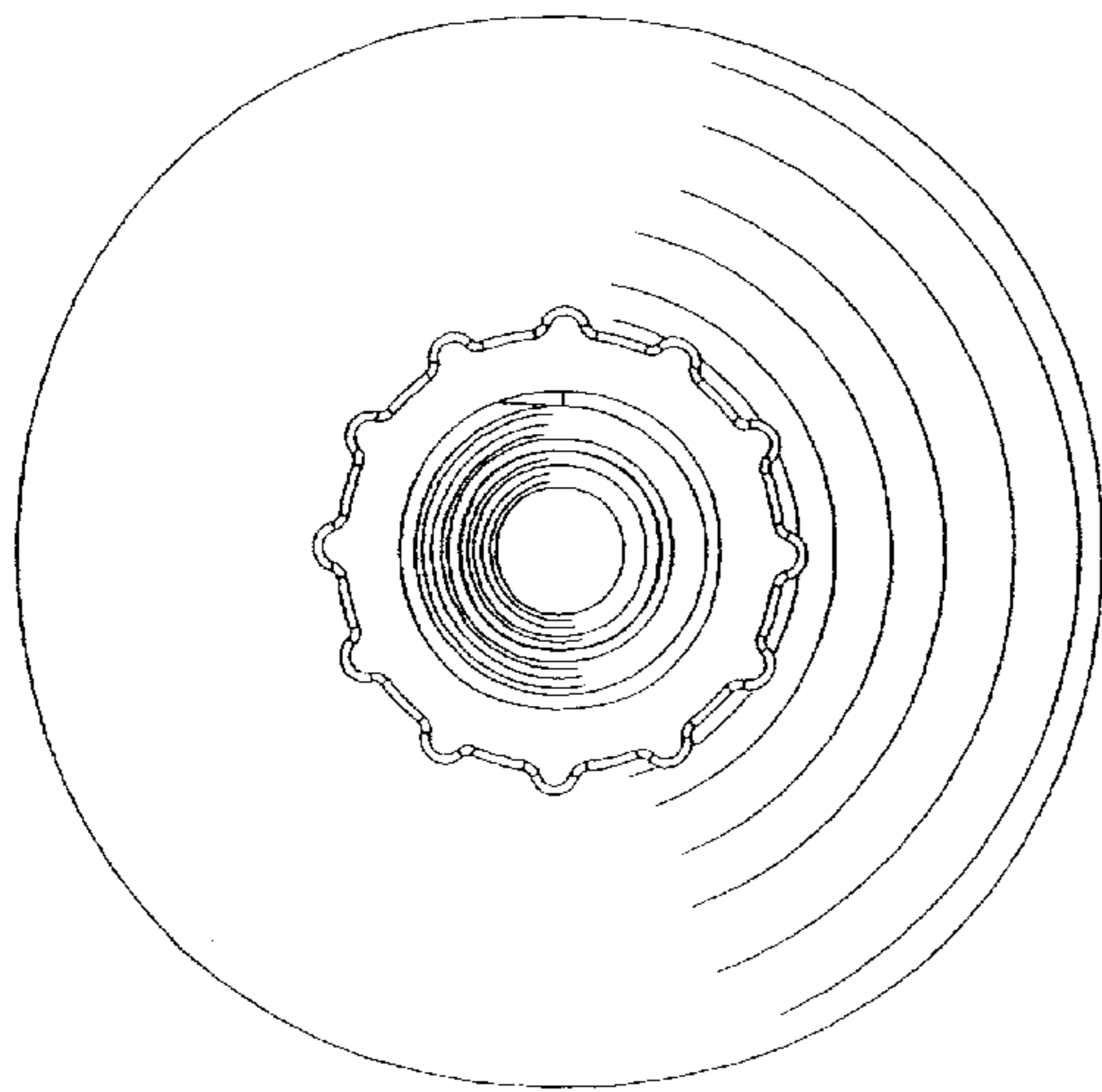
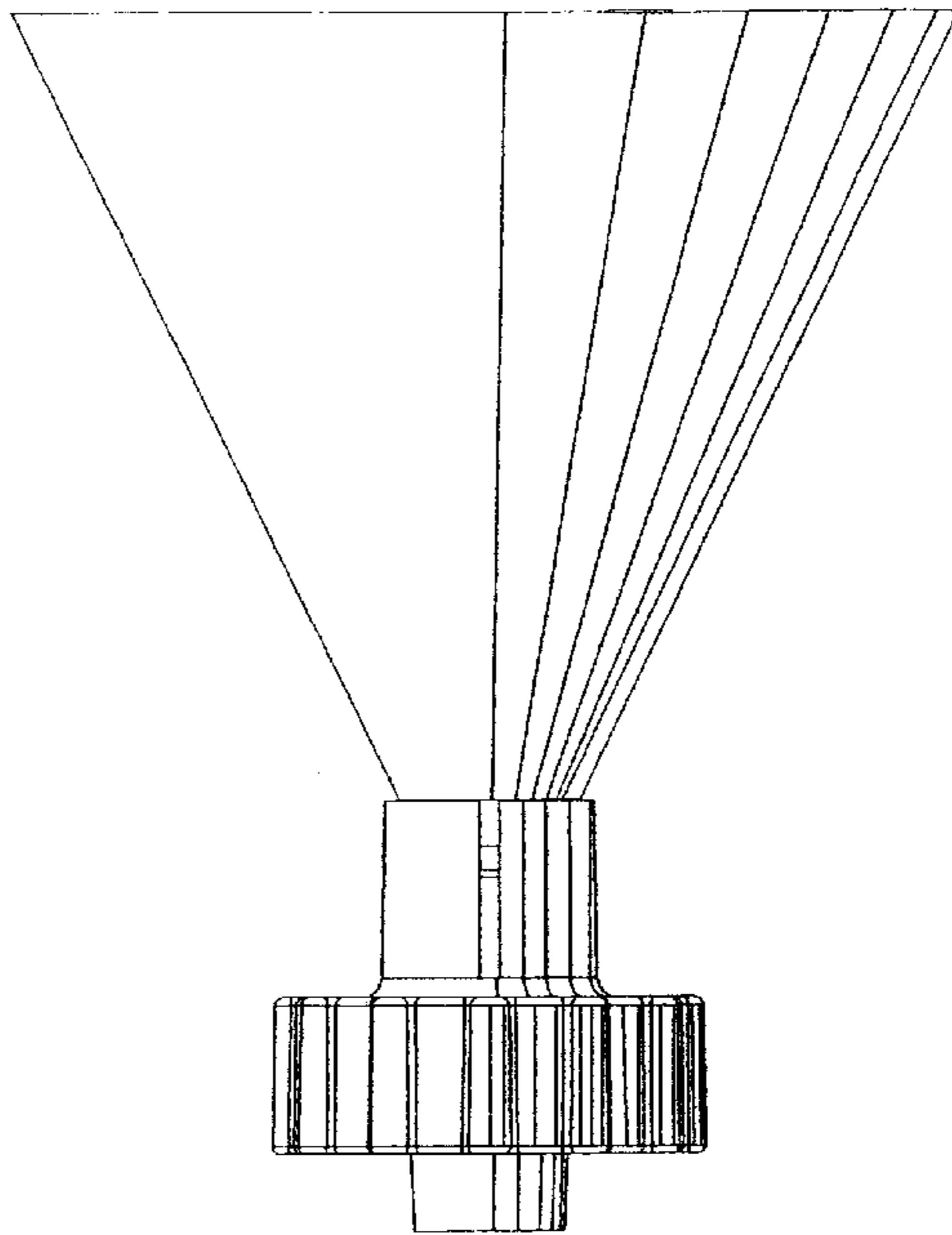


Fig. 6.

Fig. 7.

