



US00D432912S

United States Patent [19]

Lubineau-Bigot et al.

[11] Patent Number: **Des. 432,912**

[45] Date of Patent: **** Oct. 31, 2000**

[54] **BOX**

[75] Inventors: **Marie-Hélène Lubineau-Bigot**, Vincennes; **Stéphanie Favard**, Pantin; **Charles Ramirez**, Collegien; **Alain Ducreuzet**, Larcay; **Jean-Pierre Denis**, Saint Pierre des Corps, all of France

[73] Assignee: **Chesapeake Display & Packaging Europe**, Noisy le Grand, France

[**] Term: **14 Years**

[21] Appl. No.: **29/101,315**

[22] Filed: **Feb. 26, 1999**

[30] Foreign Application Priority Data

Aug. 26, 1998 [FR] France 98 4930

[51] **LOC (7) Cl.** **09-03**

[52] **U.S. Cl.** **D9/416; D9/432**

[58] **Field of Search** D7/602, 629; D3/273; D9/307, 314, 318, 329, 335, 337, 341, 347, 414-416, 420-421, 425-426, 428, 430-432, 451, 499; 206/0.815, 45.29, 45.3, 232, 308.1; 229/145, 160.2, 223, 229, 232

[56] References Cited

U.S. PATENT DOCUMENTS

D. 351,104 10/1994 Kapp D9/432
371,925 10/1887 Craw 229/122.33
407,494 7/1889 Schwartz 229/152

948,202 2/1910 Bingham 229/160.2
1,992,195 2/1935 Daller 229/223
2,551,324 5/1951 Frieders et al. 229/145
2,839,236 6/1958 Dunning 229/145
2,973,086 2/1961 Thompson 229/160.2
3,737,095 6/1973 Derauf 229/160.2
5,226,532 7/1993 Davidson et al. 206/232

FOREIGN PATENT DOCUMENTS

80-2050 10/1980 Sweden .
51 291 11/1991 Sweden .
51 292 11/1991 Sweden .
51 293 11/1991 Sweden .
93-1943 3/1994 Sweden .
92-1687 9/1994 Sweden .

Primary Examiner—Ted Shooman
Assistant Examiner—Carol Rademaker
Attorney, Agent, or Firm—Young & Thompson

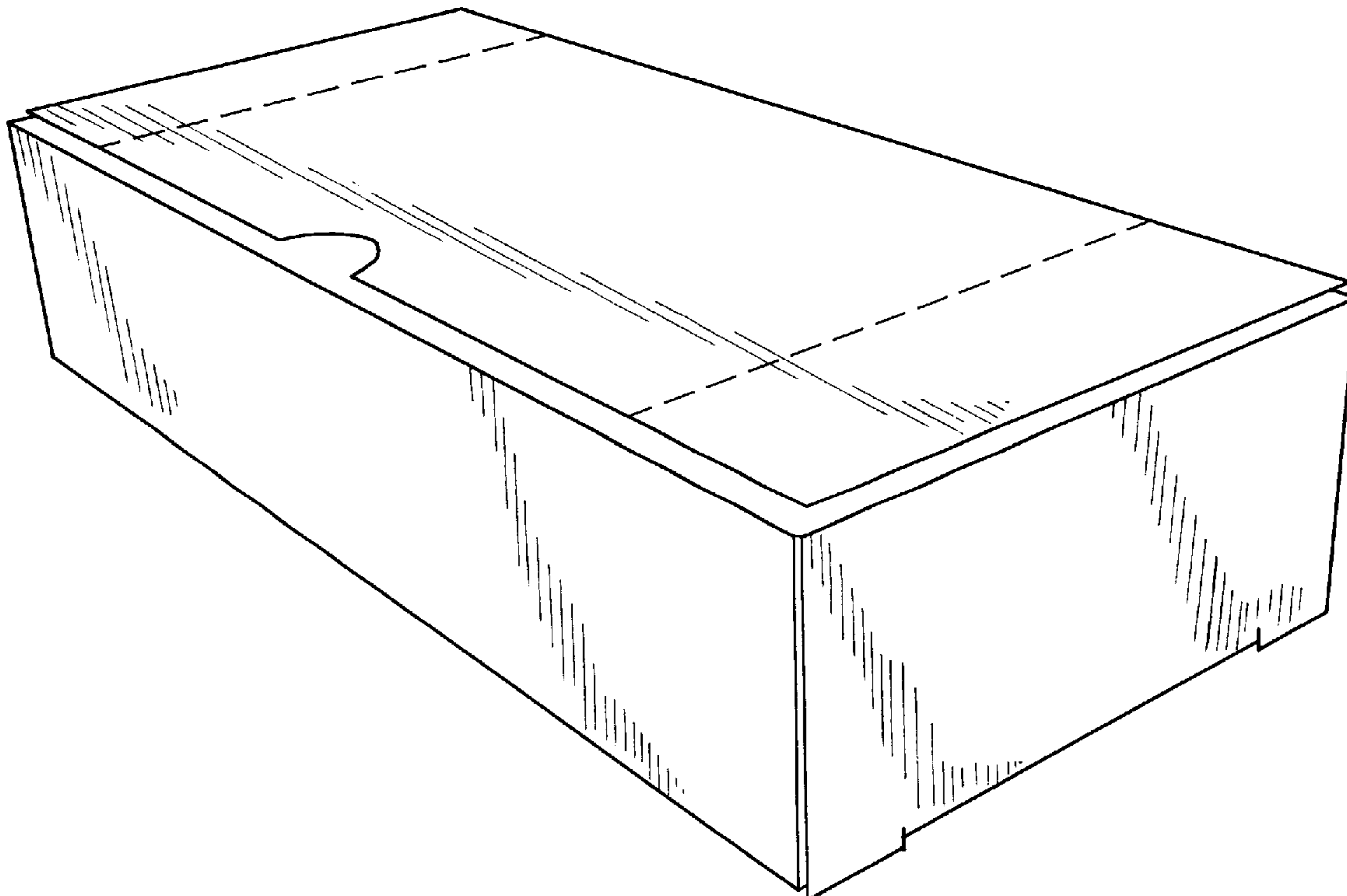
[57] CLAIM

The ornamental design for a box, as shown and described.

DESCRIPTION

FIG. 1 is a top, front, and side perspective view of a box showing our new design, with the closure flap shown in a closed condition; and, FIG. 2 is a top, front, and side perspective view thereof, with the closure flap shown in an open condition. The dashed lines shown in FIG. 1 represent tear lines. The sides opposite those shown and the bottom are flat and unornamented.

1 Claim, 2 Drawing Sheets



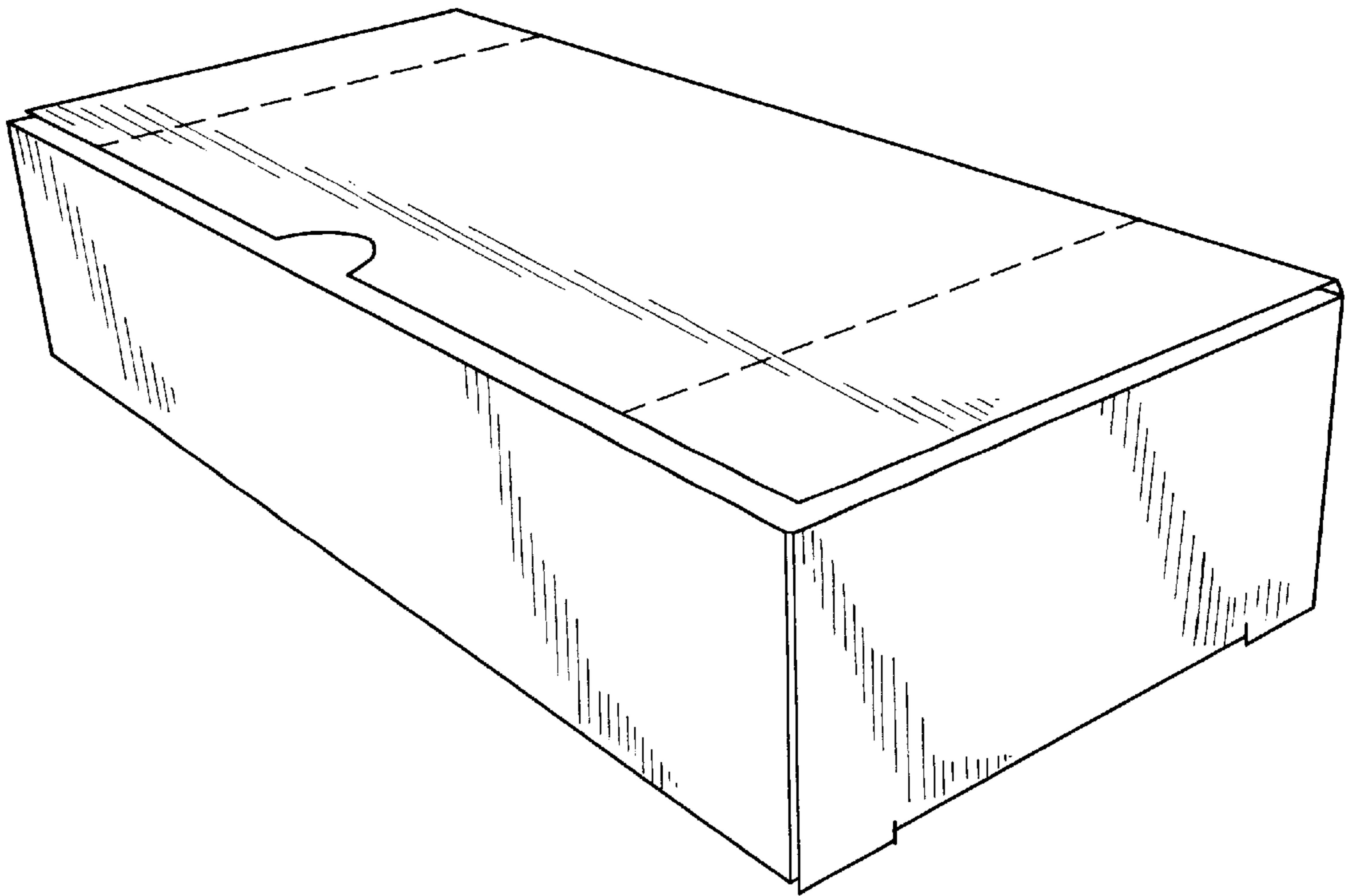


FIG. 1

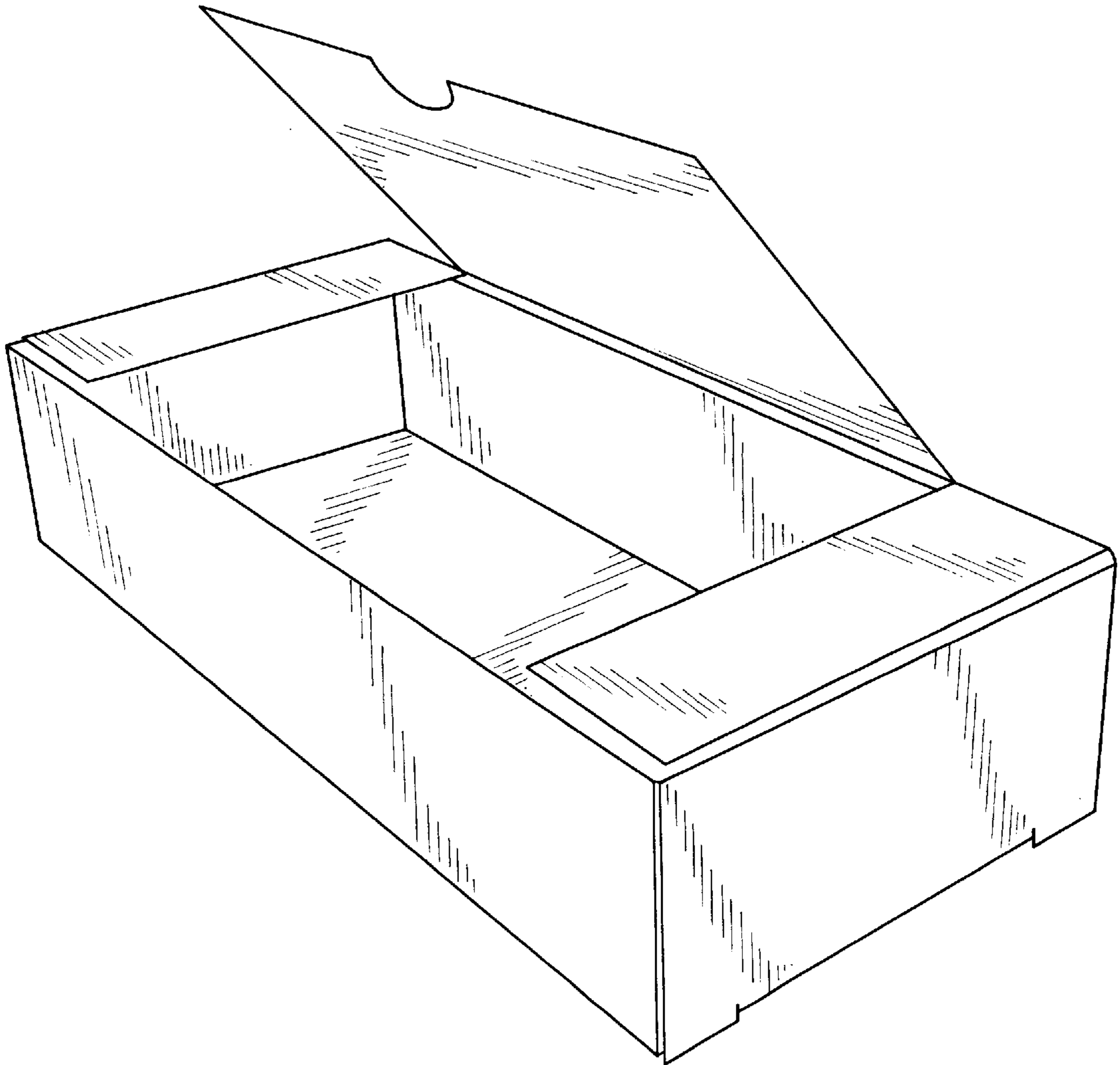


FIG. 2