



US00D432904S

**United States Patent** [19]  
**Anselmo**

[11] **Patent Number: Des. 432,904**

[45] **Date of Patent: \*\* Oct. 31, 2000**

[54] **CARPET PROTECTOR**

2,902,794 9/1959 Ehrgott ..... 248/188.9  
3,333,805 8/1967 Marshall ..... 248/188.9

[76] Inventor: **Anthony Gray Anselmo**, 177 Main St.,  
Harwich, Mass. 02645

*Primary Examiner*—Holly Baynham  
*Attorney, Agent, or Firm*—Steven N. Fox; Hancock &  
Estabrook, LLP

[\*\*] Term: **14 Years**

[21] Appl. No.: **29/108,552**

[57] **CLAIM**

[22] Filed: **Jul. 29, 1999**

The ornamental design of a “carpet protector,” as shown and  
described.

[51] **LOC (7) Cl.** ..... **08-05**

**DESCRIPTION**

[52] **U.S. Cl.** ..... **D8/374**

FIG. 1 is a top perspective view of the present invention;  
FIG. 2 is a bottom perspective view of the present invention.  
FIG. 3 is a top plan view of the present invention; and,  
FIG. 4 is a bottom plan view of the present invention.  
The color of the ornamental design forms no part of the  
claimed design.

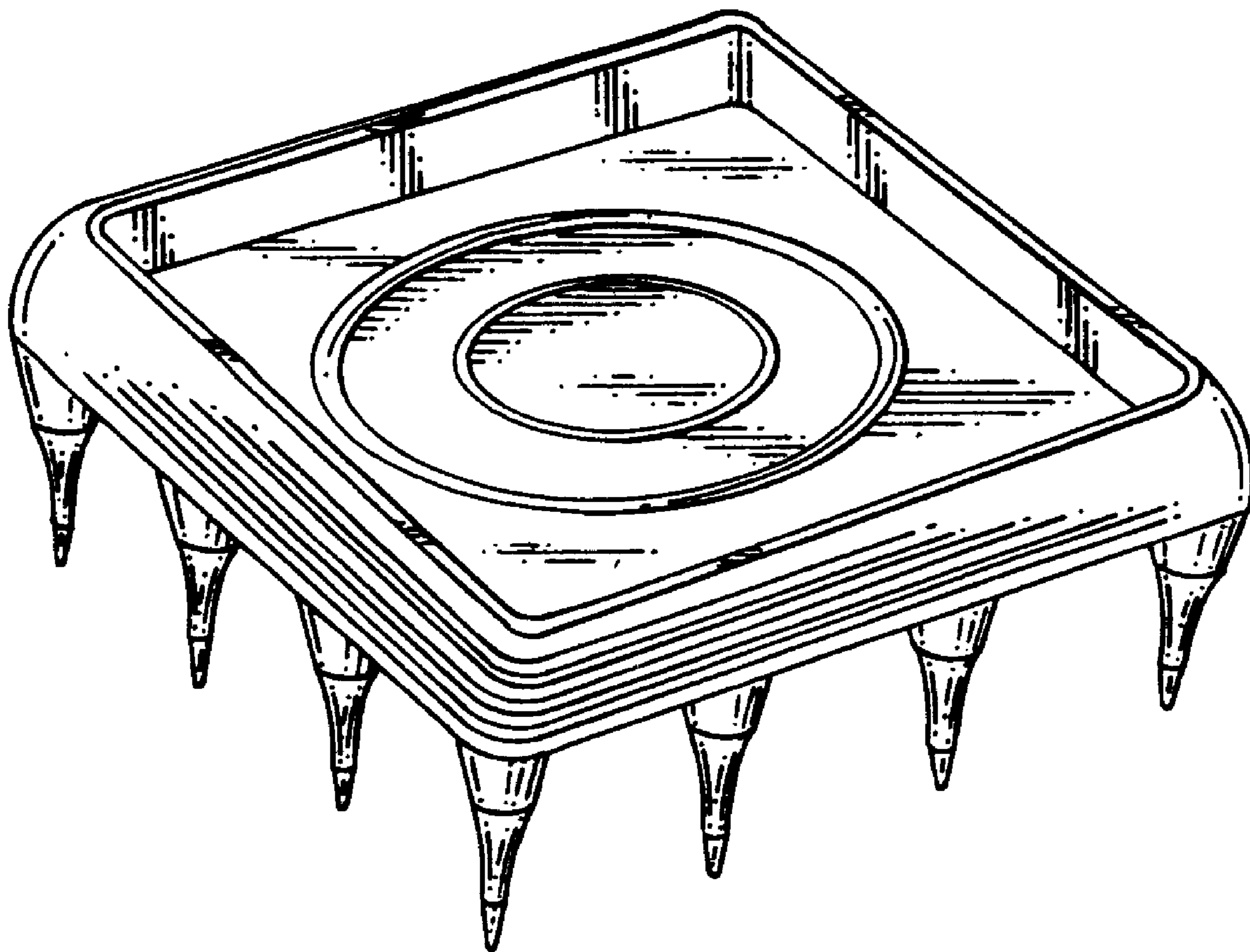
[58] **Field of Search** ..... D8/374; 248/188.8,  
248/188.9, 346.1

[56] **References Cited**

**U.S. PATENT DOCUMENTS**

D. 379,582 6/1997 Adams ..... D8/374  
D. 383,377 9/1997 Sellers ..... D8/374

**1 Claim, 1 Drawing Sheet**



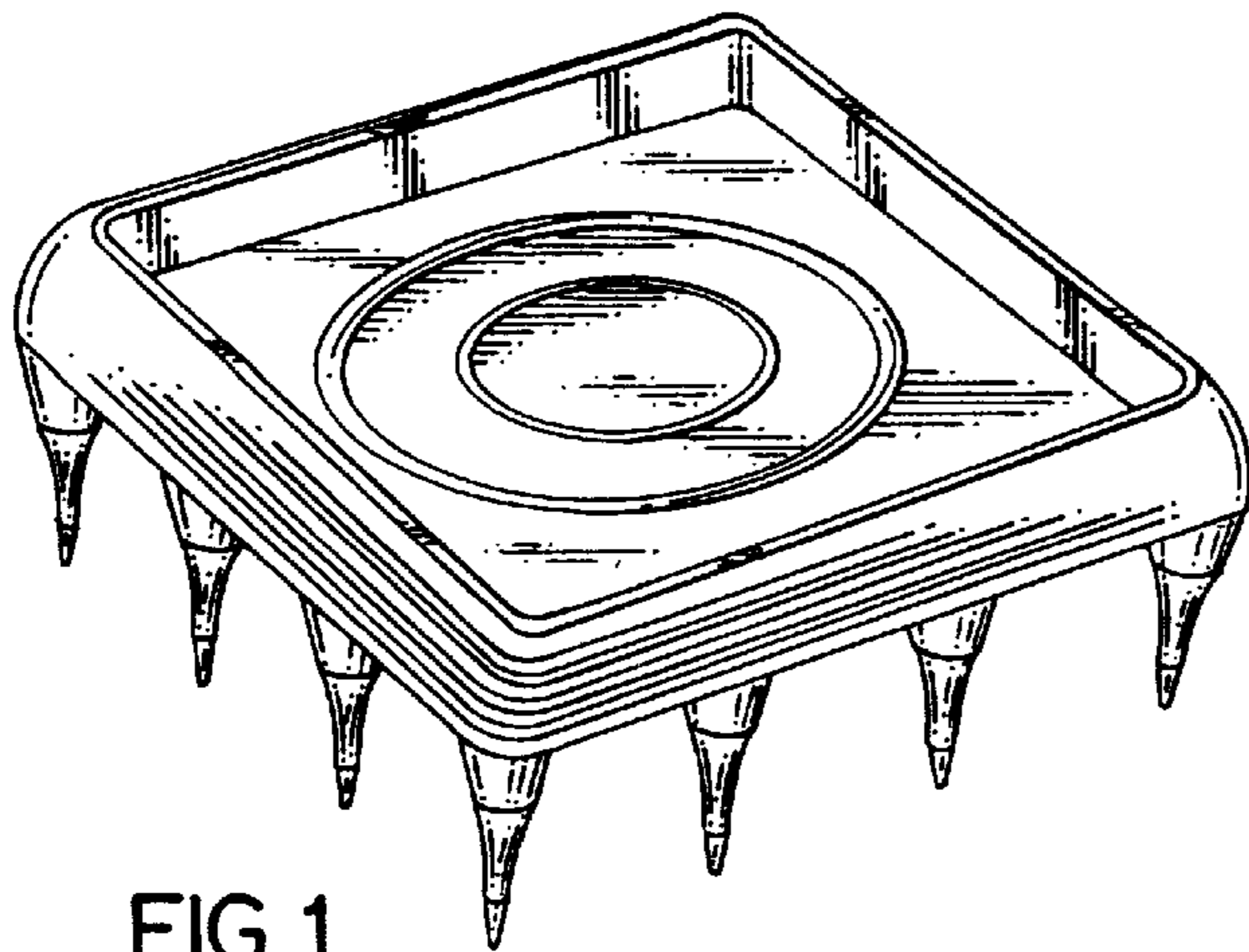


FIG. 1

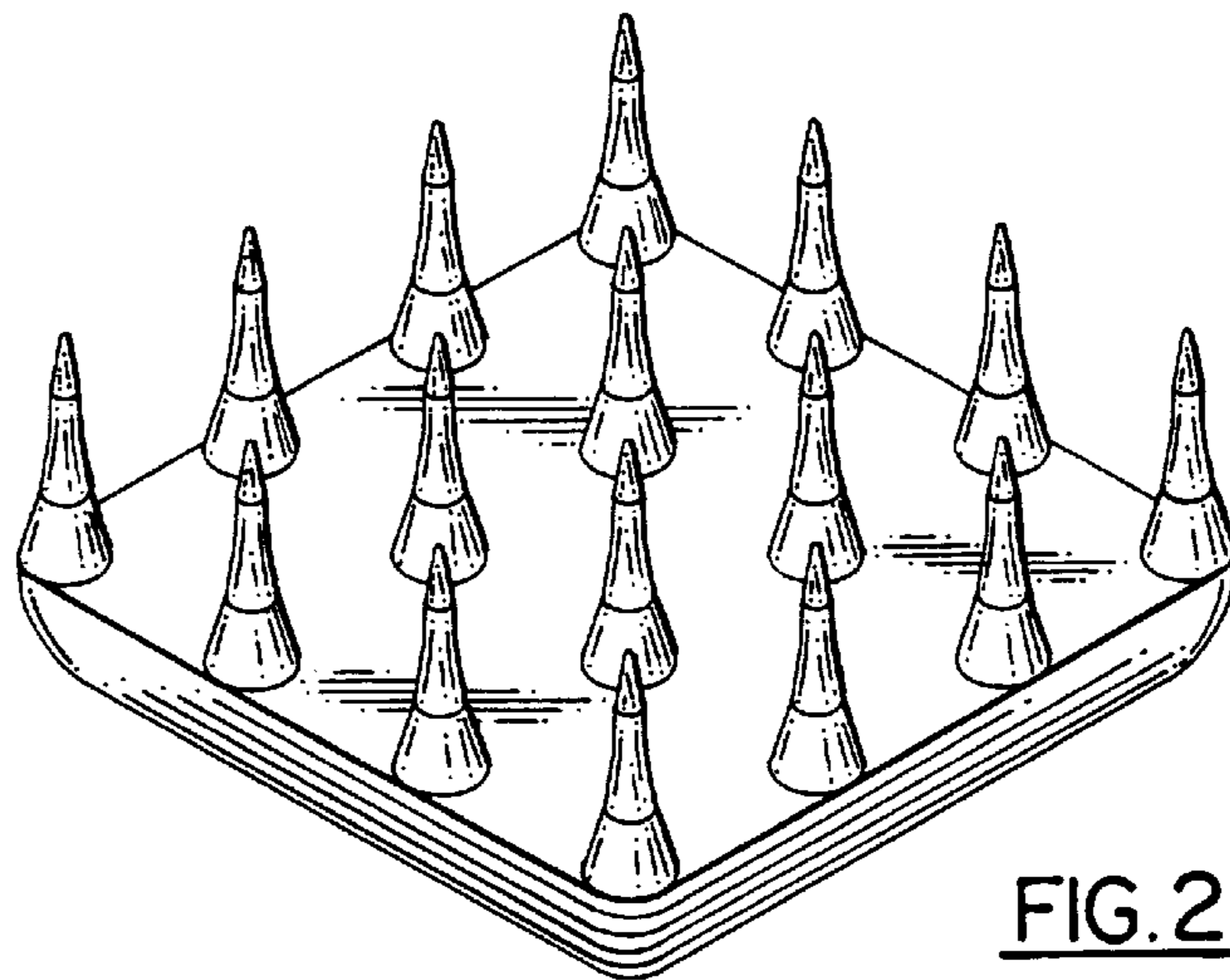


FIG. 2

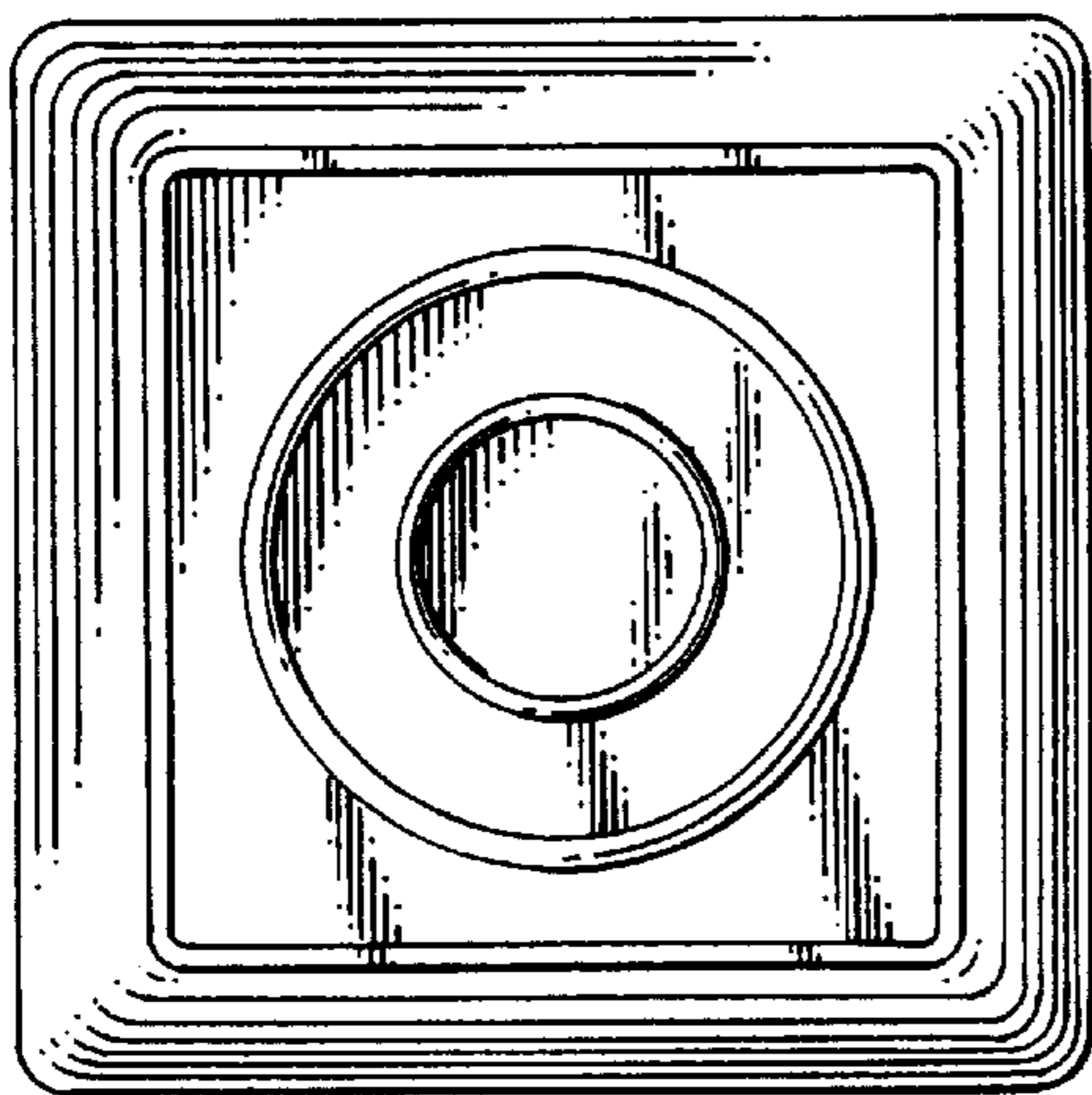


FIG. 3

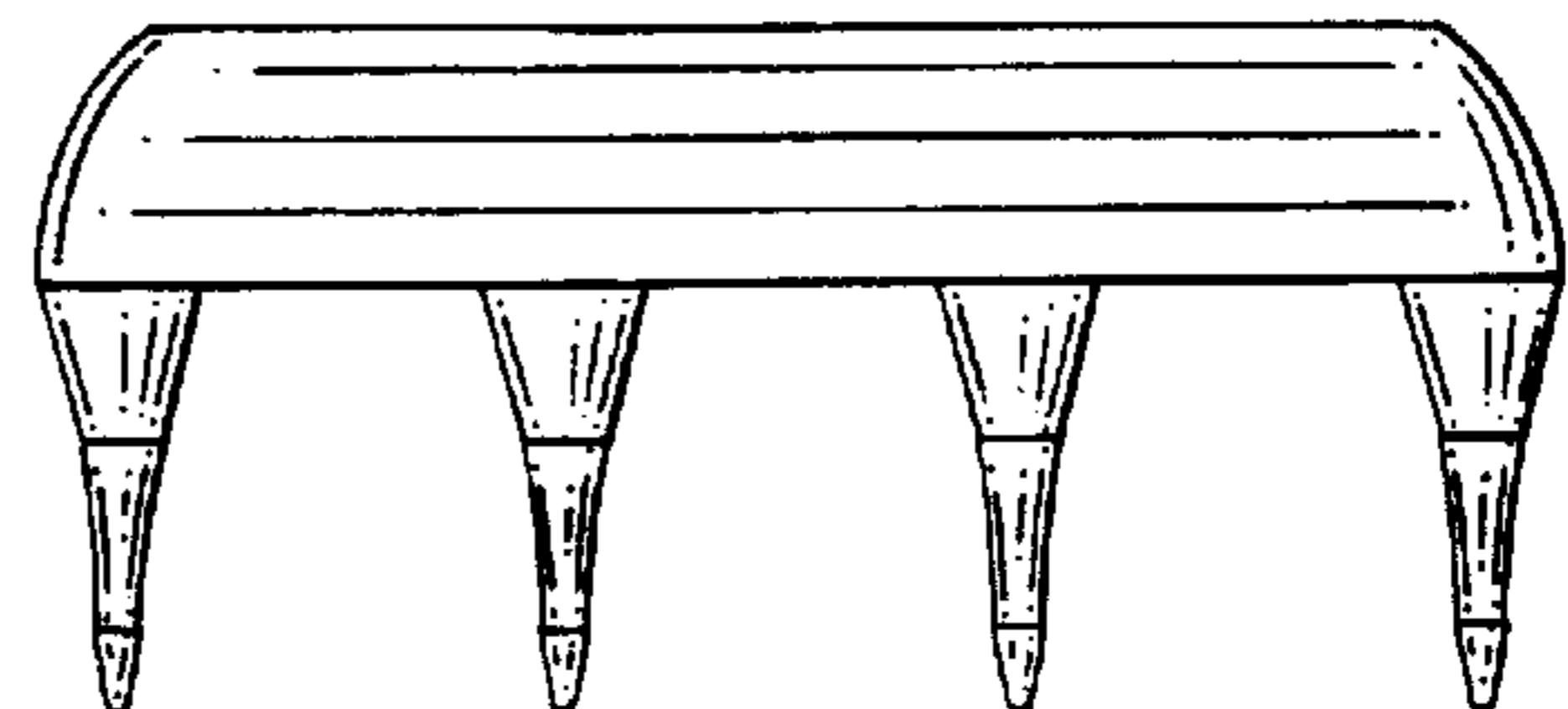


FIG. 4