



US00D432903S

United States Patent [19]

Cohen et al.

[11] Patent Number: **Des. 432,903**

[45] Date of Patent: **** Oct. 31, 2000**

[54] **BAKEWARE MOUNTING CLIP**

1,688,425 10/1928 Hodny et al. 248/489
5,684,347 11/1997 Vogt et al. 310/68 C

[75] Inventors: **Milton L. Cohen**, Hewlett Bay Park;
Jeff Siegel, Center Island; **Adam Krent**, Brooklyn, all of N.Y.

Primary Examiner—Holly Baynham
Attorney, Agent, or Firm—Goodman & Teitelbaum, Esqs.

[73] Assignee: **Lifetime Hoan Corporation**, Westbury, N.Y.

[57] **CLAIM**

The ornamental design for a bakeware mounting clip, as shown and described.

[**] Term: **14 Years**

DESCRIPTION

[21] Appl. No.: **29/109,433**

FIG. 1 is a perspective view of a bakeware mounting clip, showing our new design;
FIG. 2 is a front elevational view thereof;
FIG. 3 is a rear elevational view thereof;
FIG. 4 is a top plan view thereof;
FIG. 5 is a bottom plan view thereof;
FIG. 6 is a left side elevational view thereof; and,
FIG. 7 is a right side elevational view thereof.
The broken line showing of a fragmented baking pan in FIG. 1 is for illustrative purposes only and forms no part of the claimed design.

[22] Filed: **Aug. 16, 1999**

[51] **LOC (7) Cl.** **08-05**

[52] **U.S. Cl.** **D8/373**

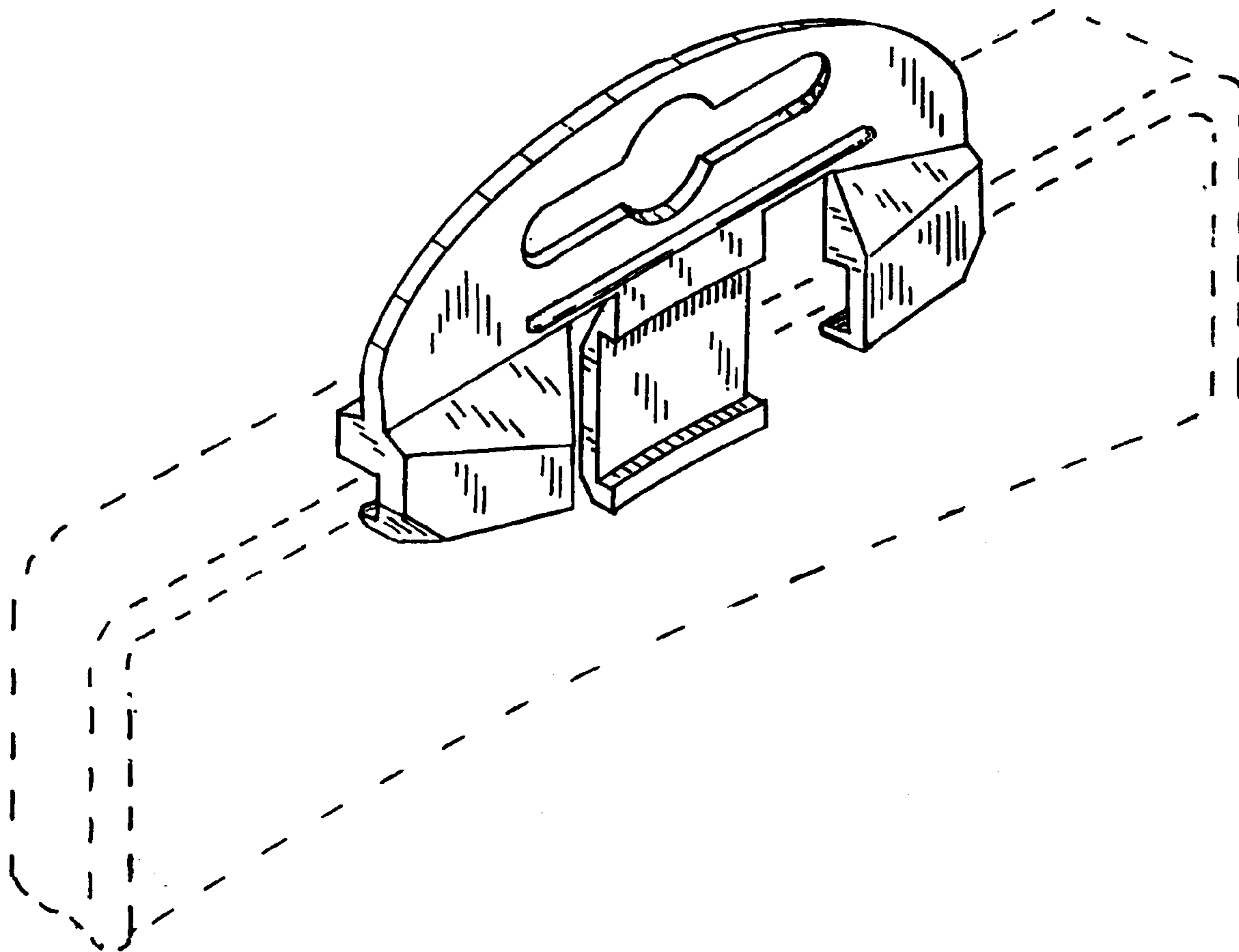
[58] **Field of Search** D8/371, 394-396,
D8/373, 382; 24/453, 545, 561; 248/316.7

[56] **References Cited**

U.S. PATENT DOCUMENTS

D. 278,679 5/1985 Villanueva D8/373
D. 310,624 9/1990 Gradecki et al. D8/395

1 Claim, 2 Drawing Sheets



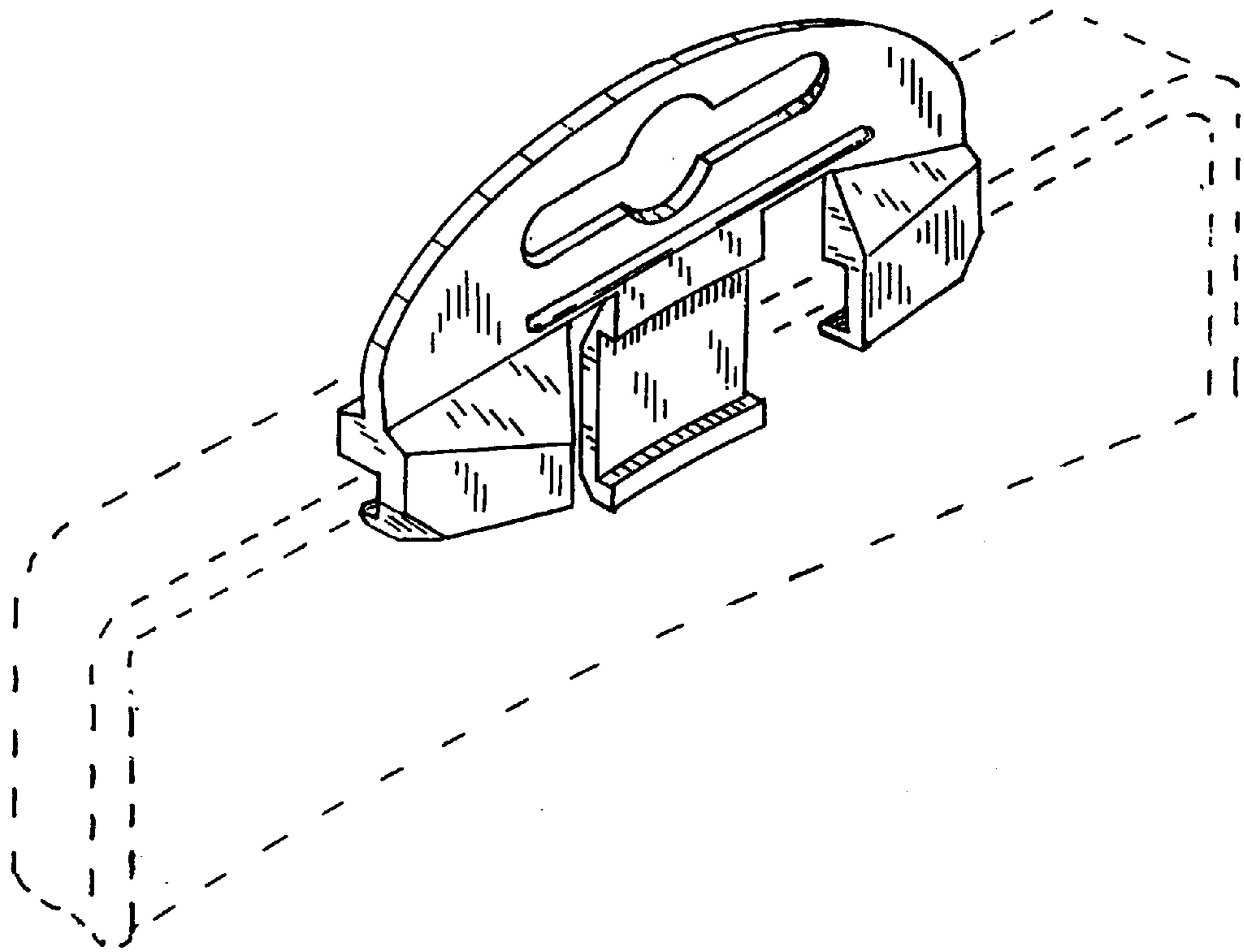


FIG. 1

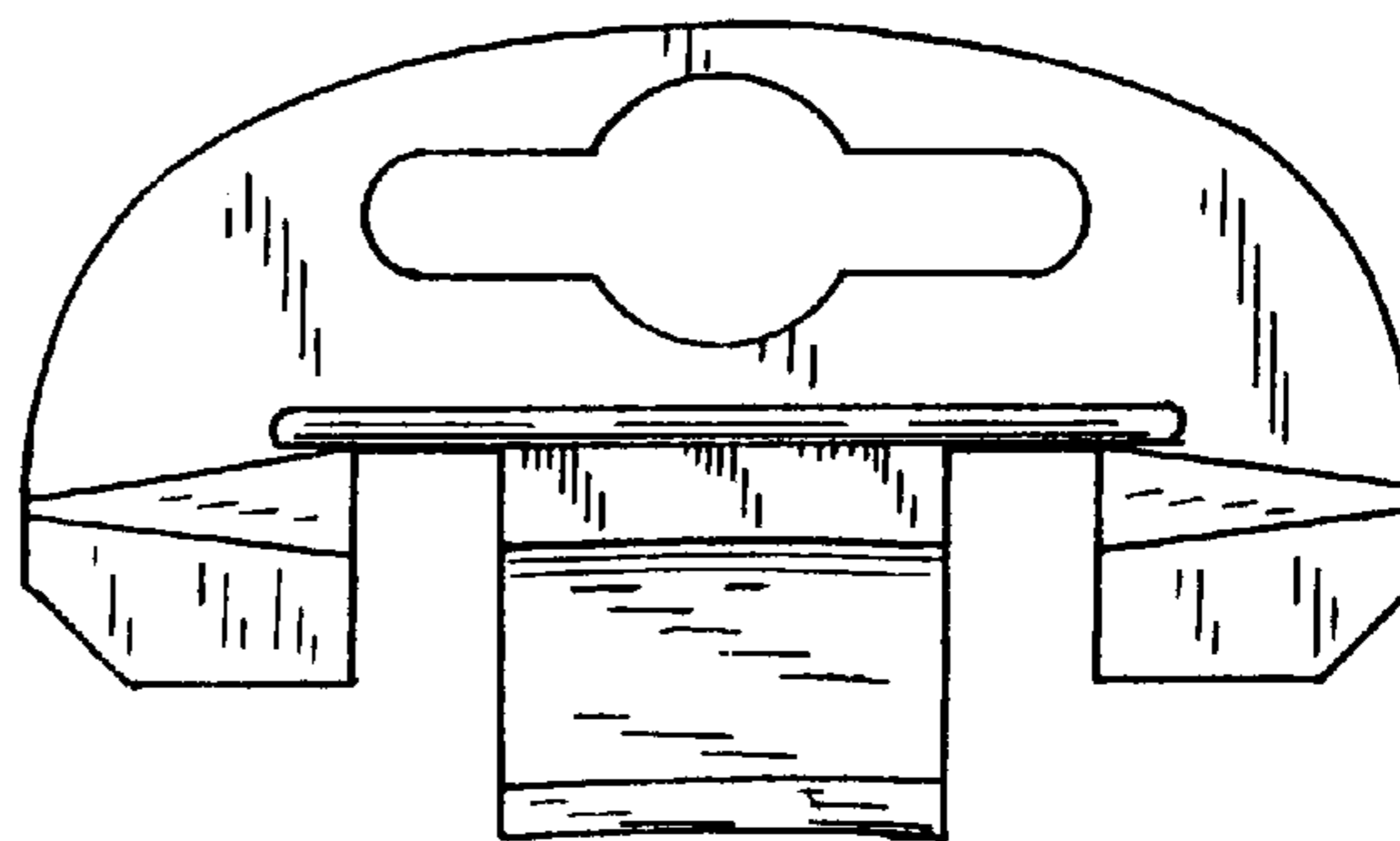


FIG. 2

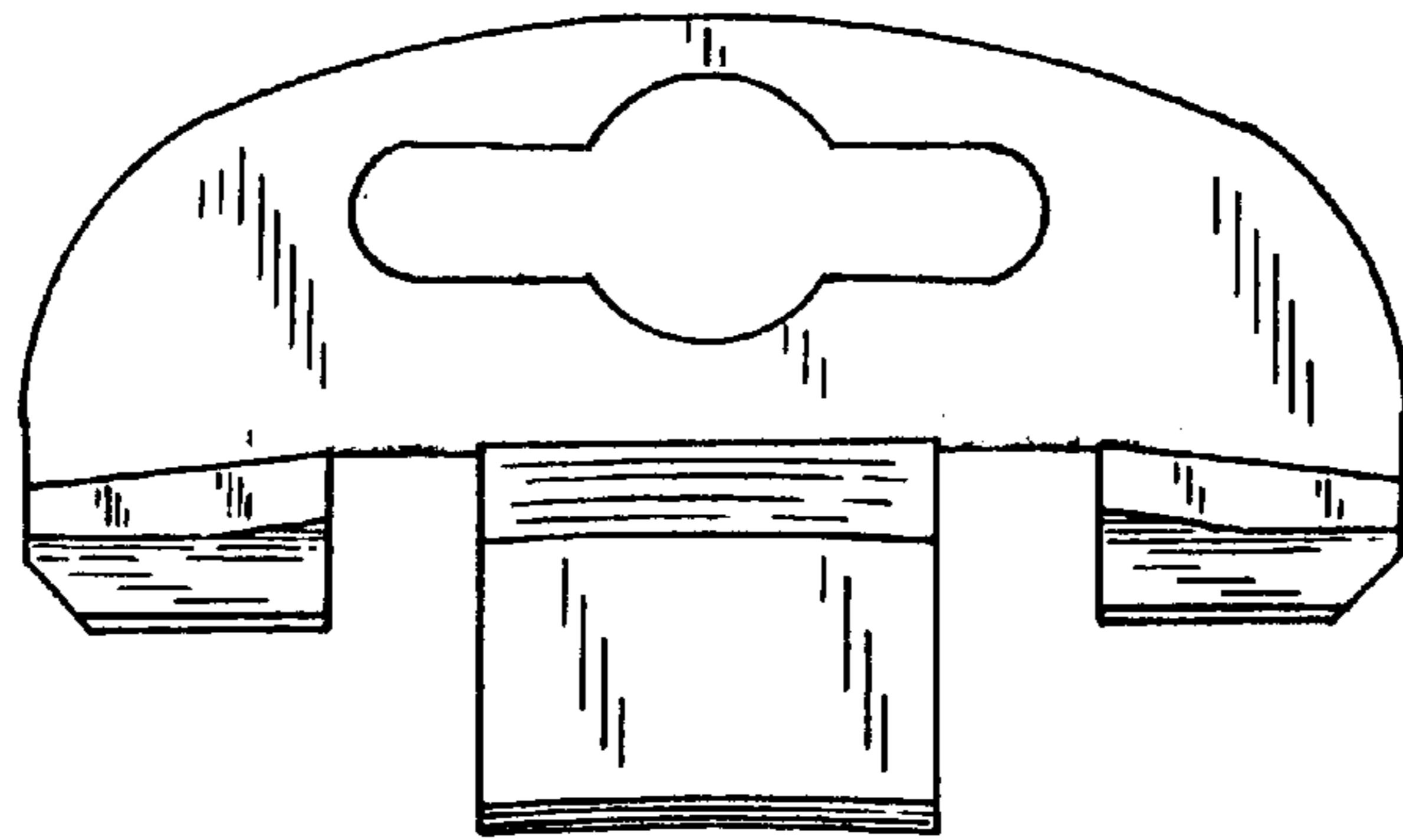


FIG. 3

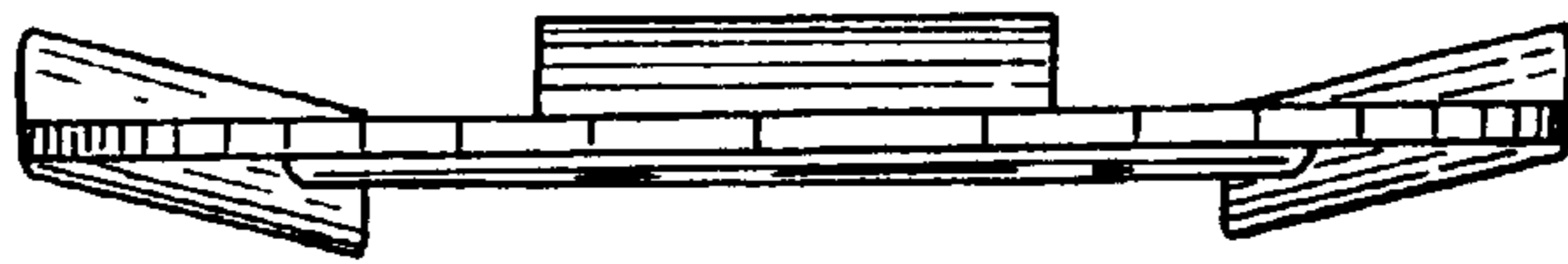


FIG. 4

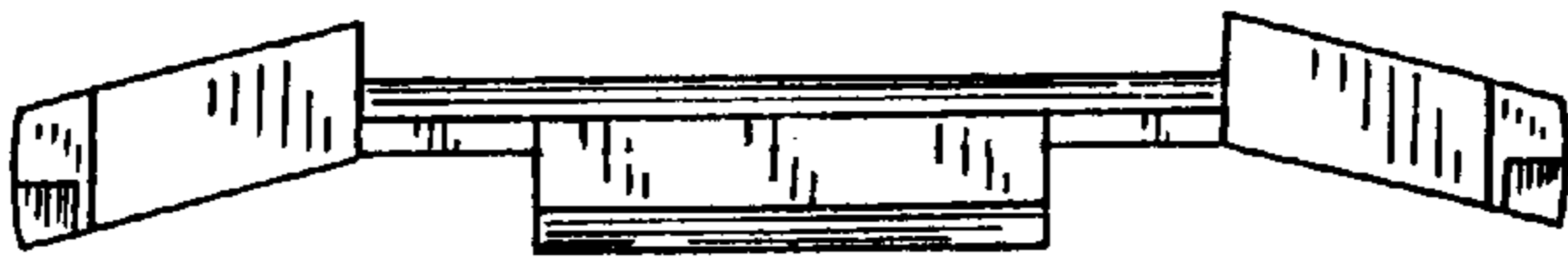


FIG. 5



FIG. 6

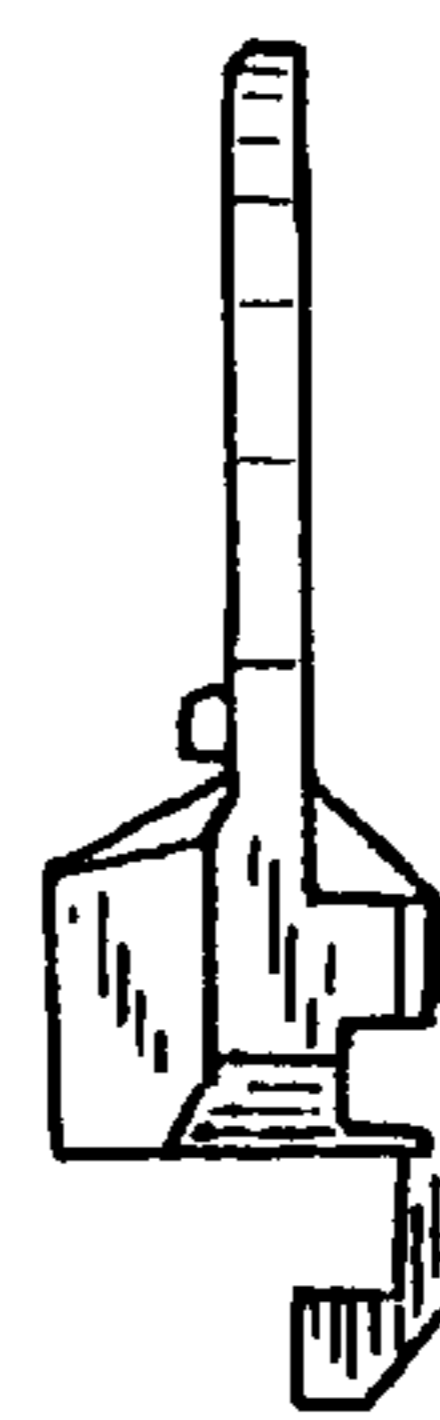


FIG. 7