



US00D432897S

# United States Patent [19] Spangler

[11] **Patent Number: Des. 432,897**

[45] **Date of Patent: \*\* Oct. 31, 2000**

[54] **ACTUATOR LOCKING MODULE**

[76] **Inventor: Herbert L Spangler**, 3220 Sugartree Rd., Bethel, Ohio 45106

[\*\*] **Term: 14 Years**

[21] **Appl. No.: 29/105,444**

[22] **Filed: May 25, 1999**

[51] **LOC (7) Cl. .... 08-07**

[52] **U.S. Cl. .... D8/331**

[58] **Field of Search** ..... D8/330, 331, 336, D8/339, 345; 292/32, 137, 145, 283, 286

[56] **References Cited**

**U.S. PATENT DOCUMENTS**

D. 336,603 6/1993 Penaflo ..... D8/336  
4,741,564 5/1988 Alford ..... 292/286 X

*Primary Examiner*—Susan J. Lucas  
*Assistant Examiner*—Jennifer Rivard  
*Attorney, Agent, or Firm*—Neal O. Willmann

[57] **CLAIM**

The ornamental design for an actuator locking module, as shown and described.

**DESCRIPTION**

FIG. 1 is a front elevational perspective view of an actuator locking module showing my new design.

FIG. 2 is a top plan view thereof.

FIG. 3 is a bottom plan view thereof.

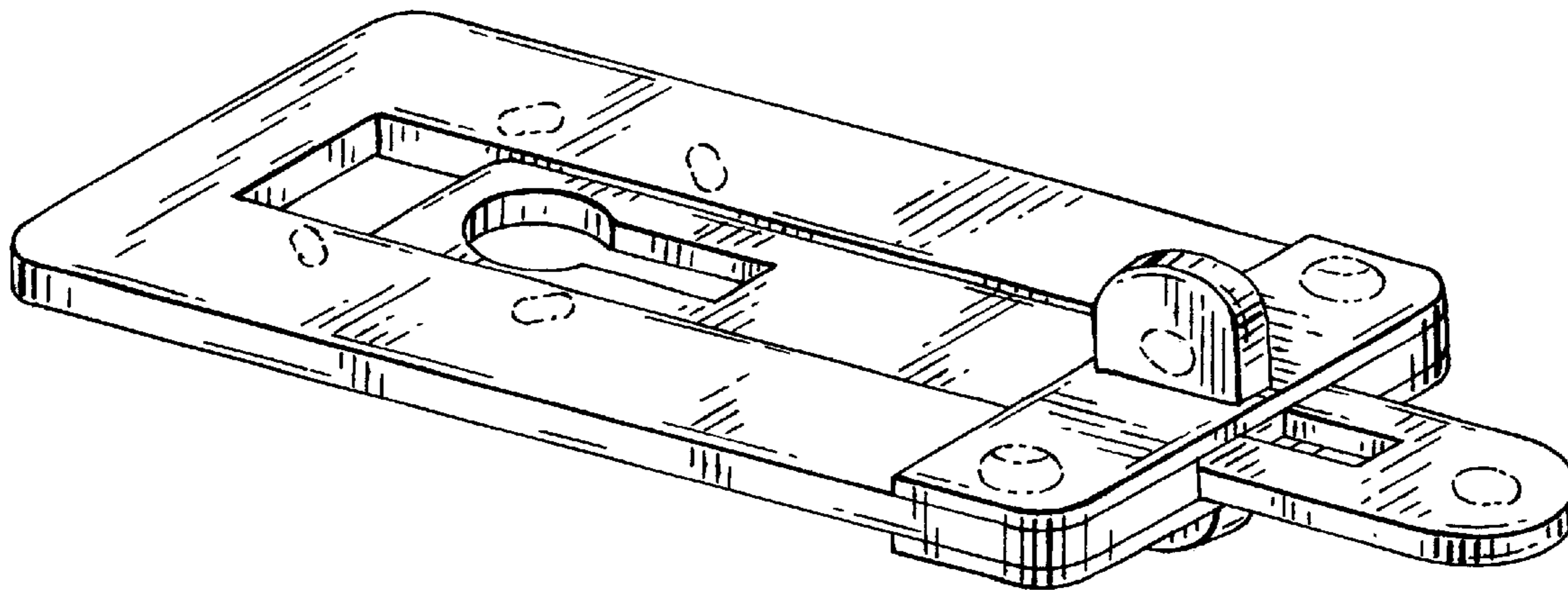
FIG. 4 is a side elevational view thereof, the other side being the mirror image thereof.

FIG. 5 is a right elevational view thereof; and,

FIG. 6 is a left elevational view thereof.

The broken lines are shown for illustrative purposes only and form no part of the claimed design.

**1 Claim, 1 Drawing Sheet**



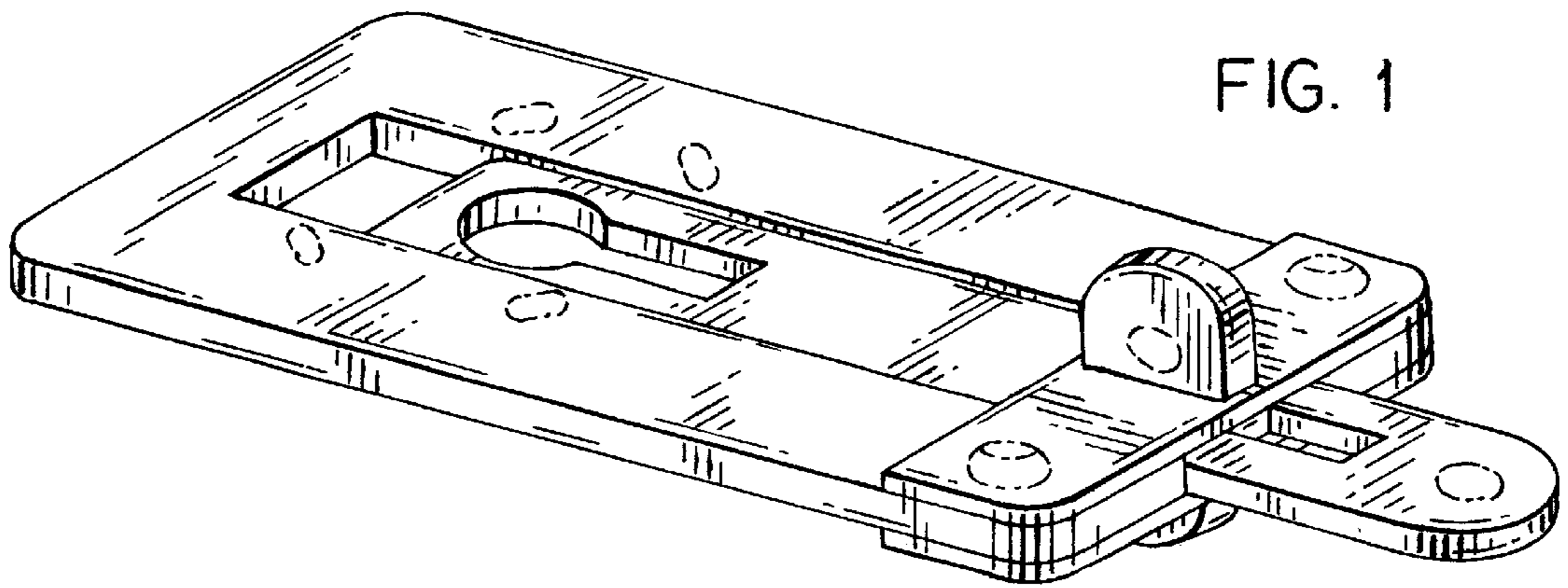


FIG. 2

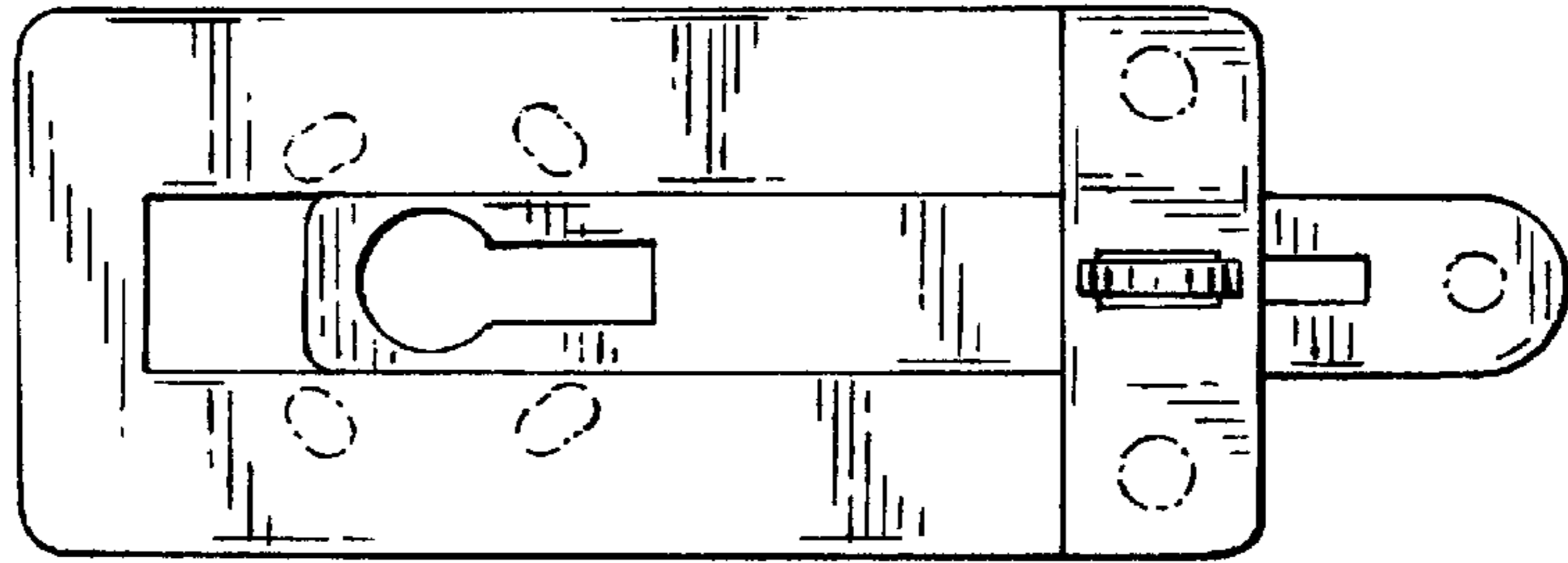


FIG. 3

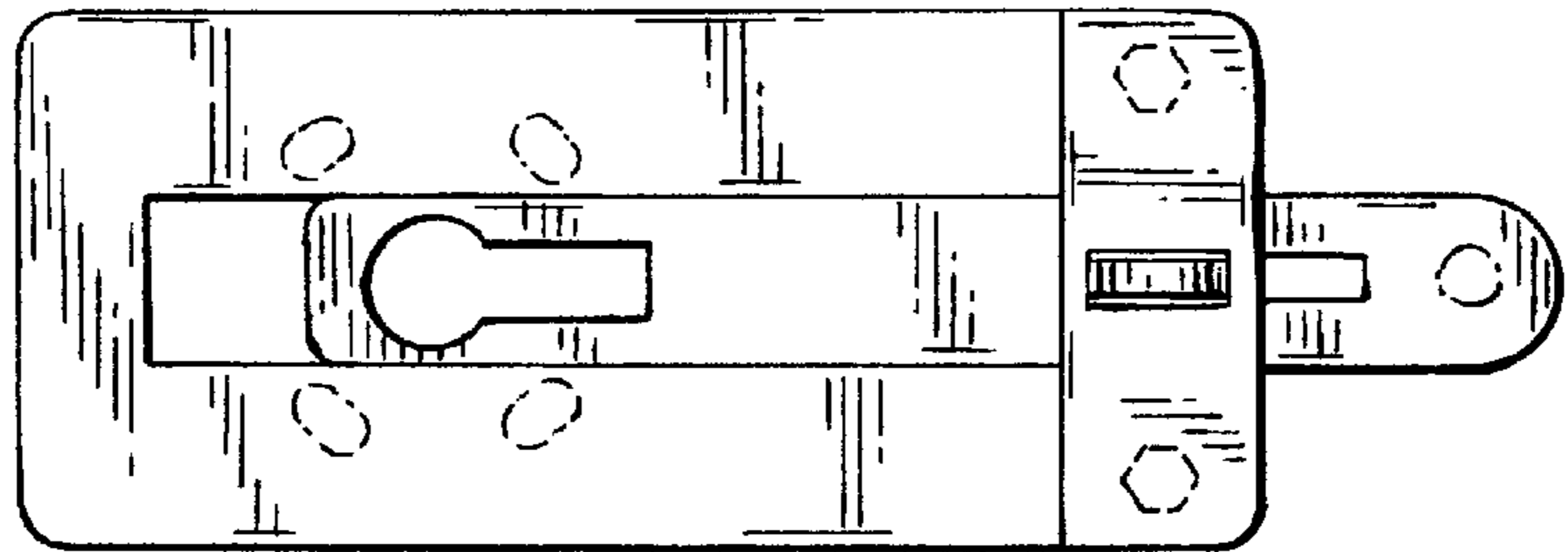


FIG. 4

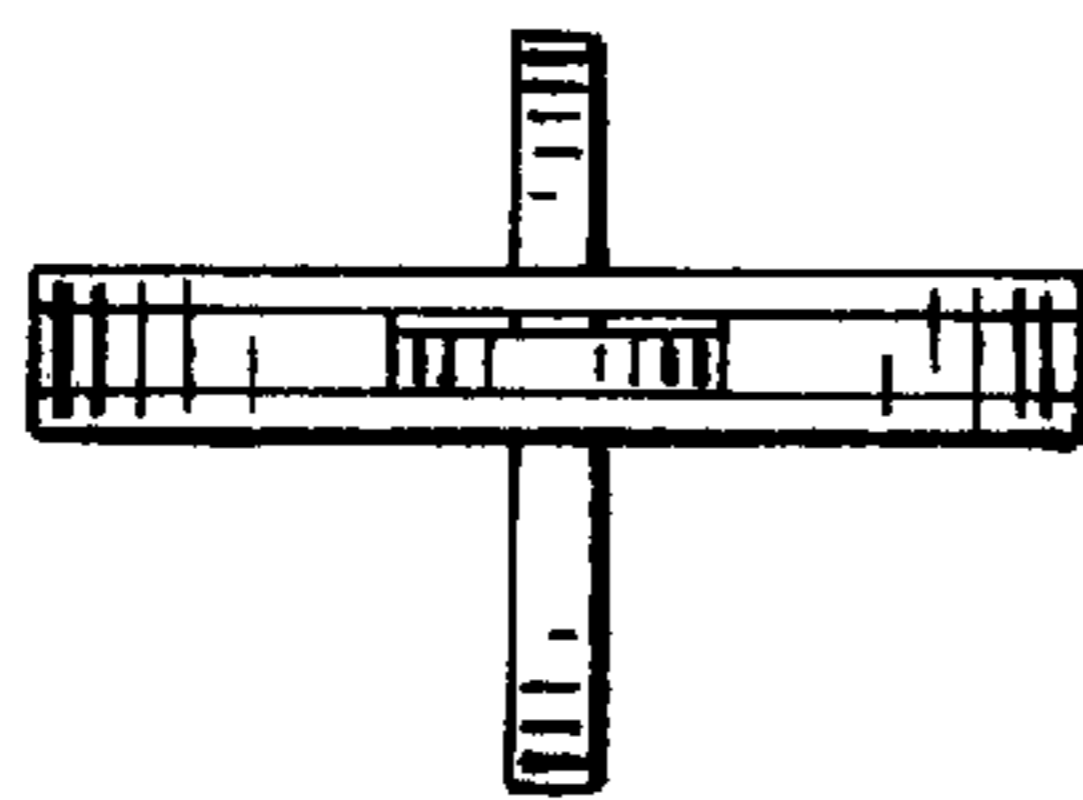
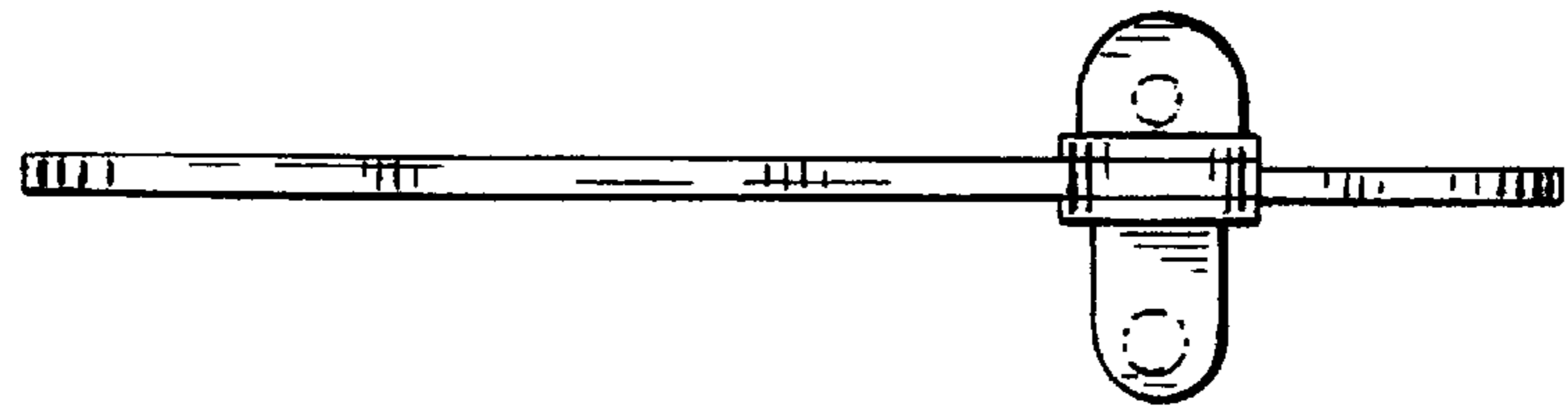


FIG. 5

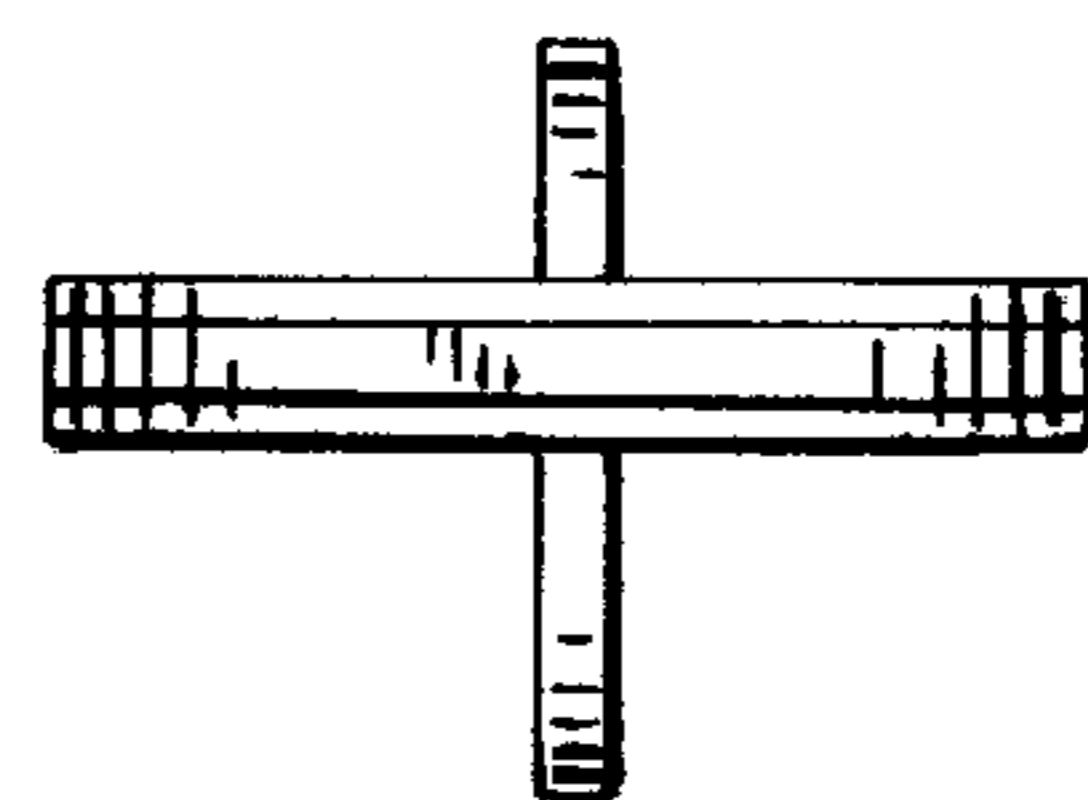


FIG. 6