



US00D432894S

United States Patent [19]

Lu

[11] **Patent Number: Des. 432,894**

[45] **Date of Patent: ** Oct. 31, 2000**

[54] **HANDLE FOR A SUITCASE**

[75] Inventor: **Lien-Ching Lu, Wan Li Chen, Taiwan**

[73] Assignee: **Ting Cheng Co., Ltd., Miao Li Hsien, Taiwan**

[**] Term: **14 Years**

[21] Appl. No.: **29/119,477**

[22] Filed: **Mar. 1, 2000**

[51] **LOC (7) Cl. 08-06**

[52] **U.S. Cl. D8/316**

[58] **Field of Search** D8/300, 306, 315-320;
D3/276, 282, 291; 190/39, 100, 115-18,
18 A; 16/114.1, 407, 408, 409, 410, 411,
430

[56] **References Cited**

U.S. PATENT DOCUMENTS

D. 157,778 3/1950 Neumann D8/306
D. 197,164 12/1963 Koffler D8/306

D. 248,821 8/1978 Poe D8/306
D. 312,380 11/1990 Kim D8/316
D. 409,472 5/1999 Wang D8/320
D. 422,879 4/2000 Lu D8/320
5,639,109 6/1997 Liang 190/18 A

Primary Examiner—B. J. Bullock

Attorney, Agent, or Firm—Rosenberg, Klein & Lee

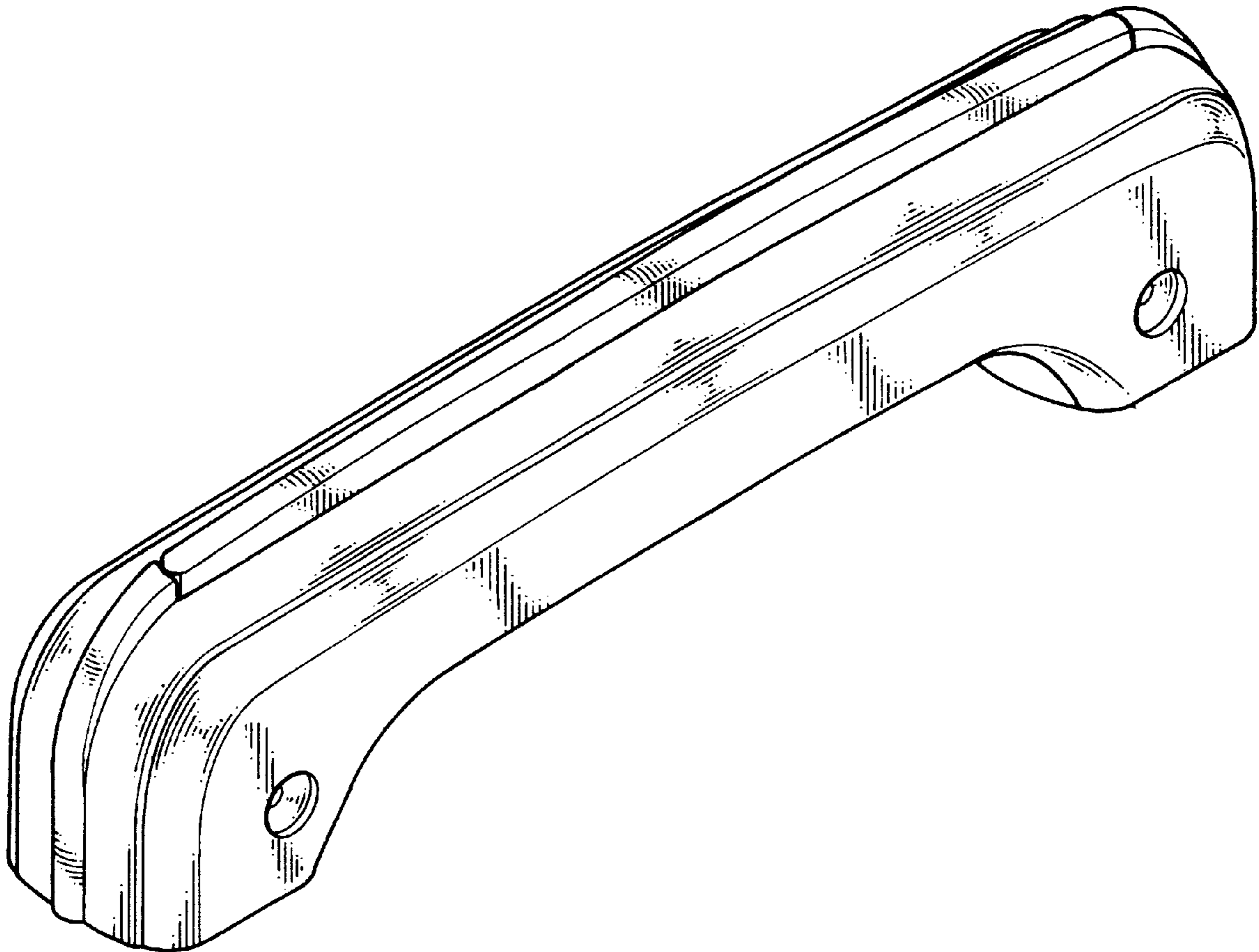
[57] CLAIM

The ornamental design for a handle for a suitcase, as shown and described.

DESCRIPTION

FIG. 1 is a perspective view of handle for a suitcase showing my new design;
FIG. 2 is a front elevation view thereof;
FIG. 3 is a rear elevation view thereof;
FIG. 4 is a left side elevation view thereof;
FIG. 5 is a right side elevation view thereof;
FIG. 6 is a top plan view thereof; and,
FIG. 7 is a bottom plan view thereof.

1 Claim, 3 Drawing Sheets



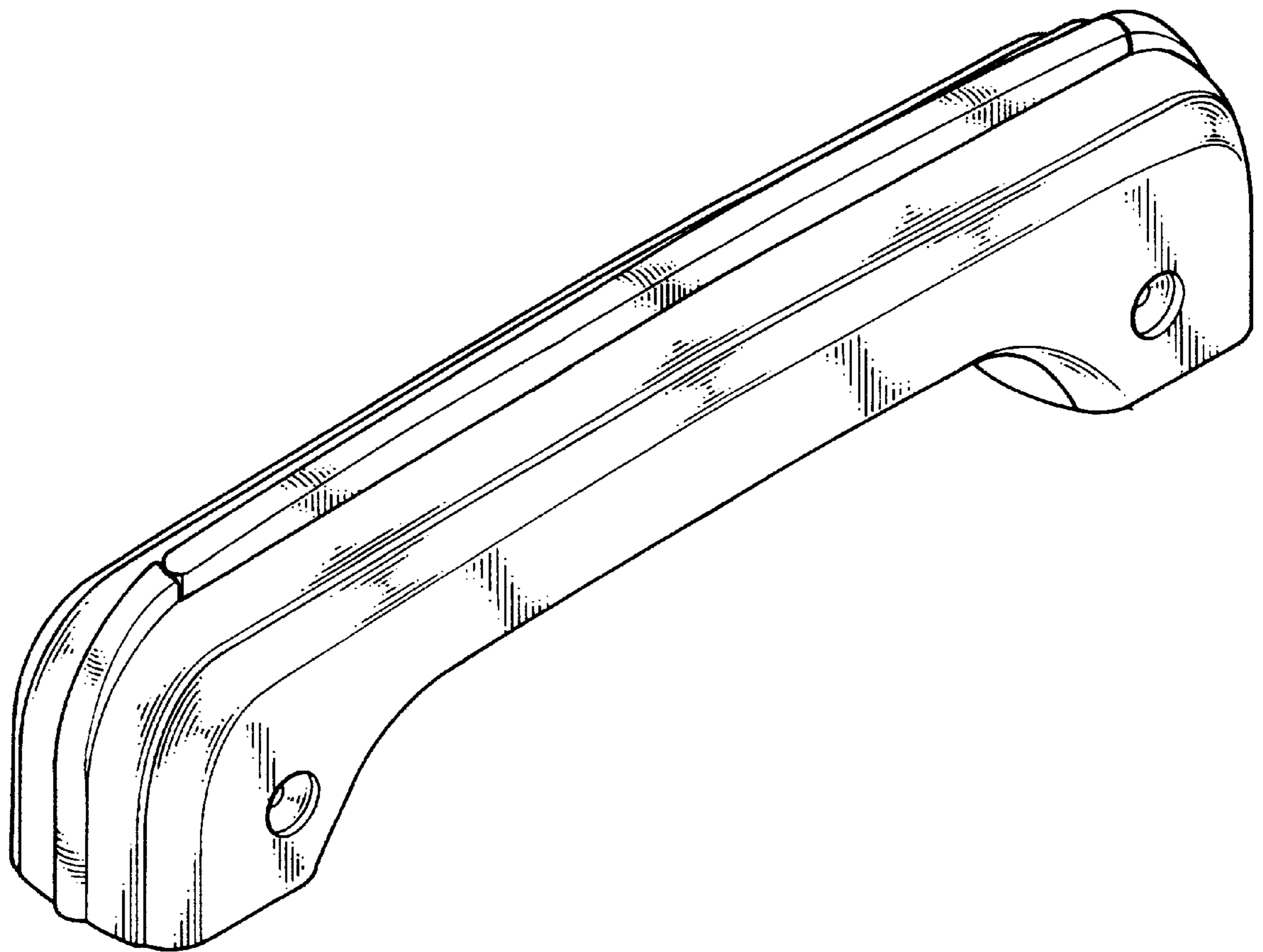


FIG. 1

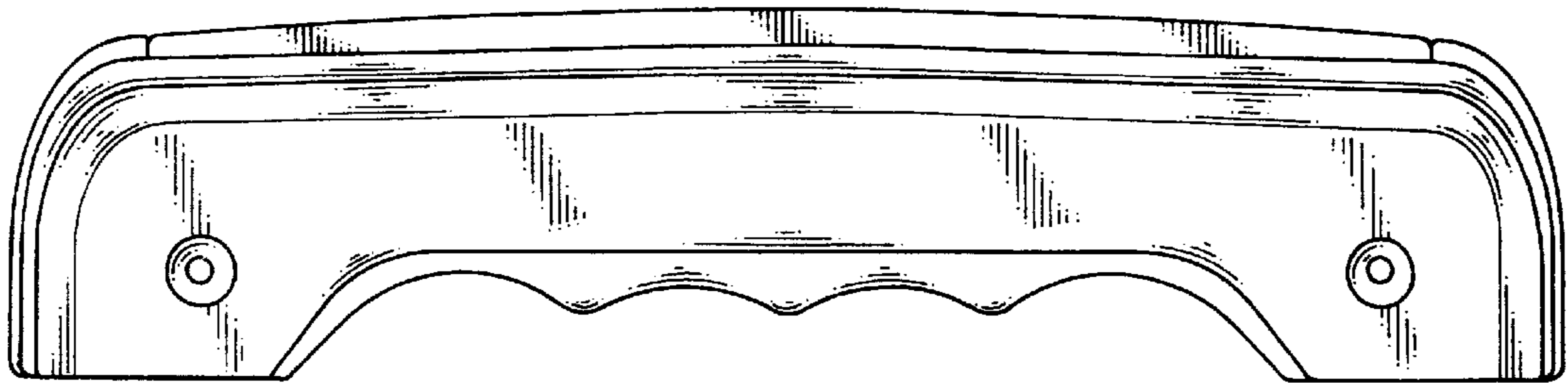


FIG. 2

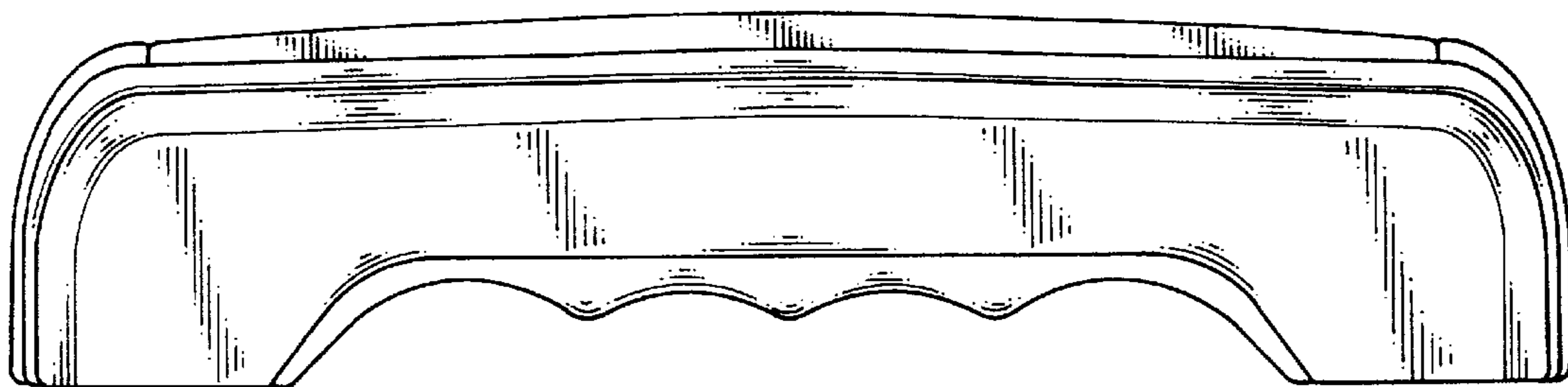


FIG. 3

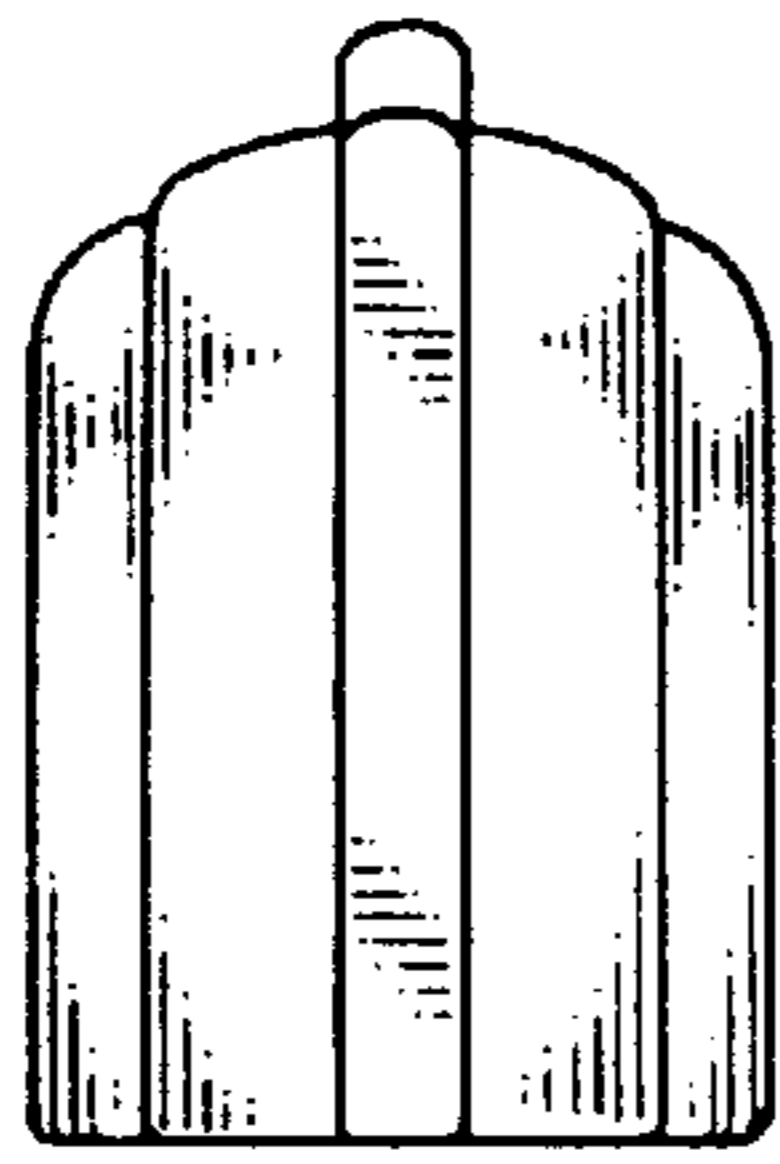


FIG. 4

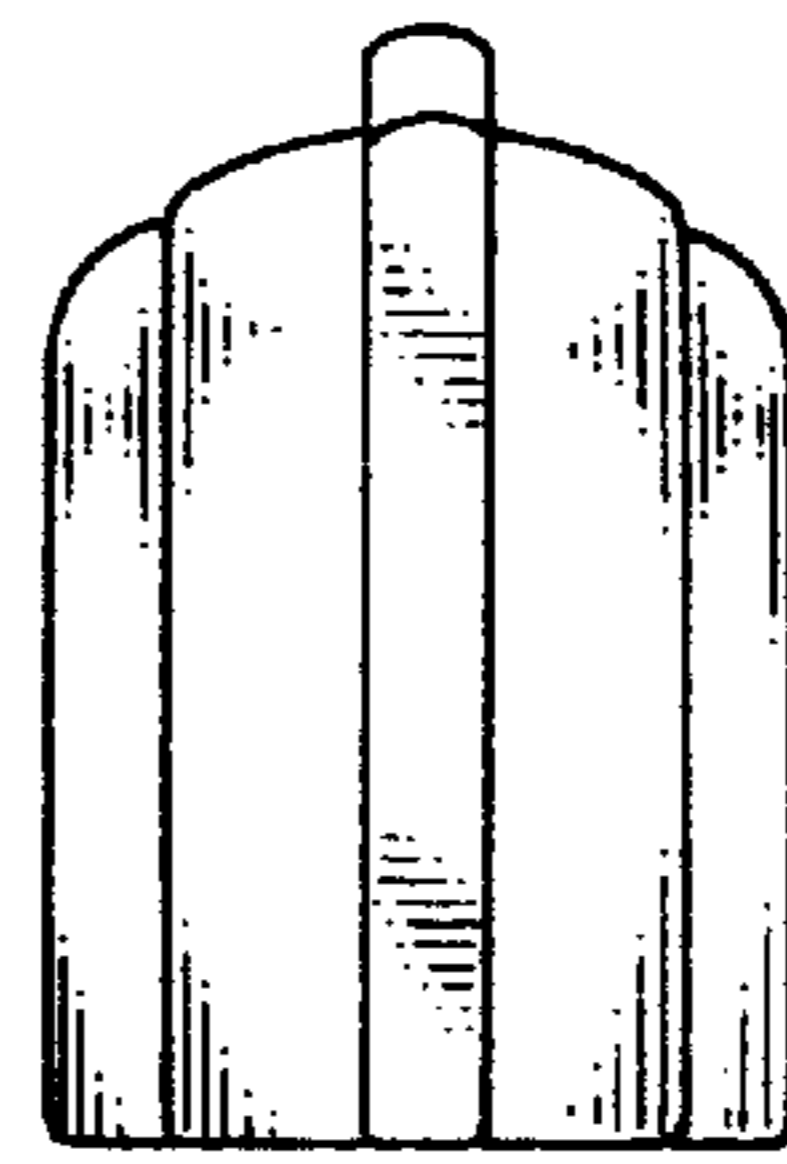


FIG. 5

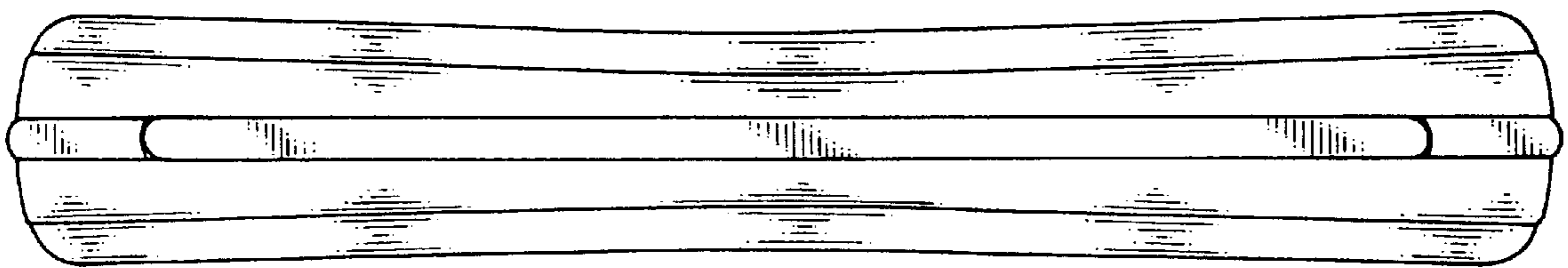


FIG. 6

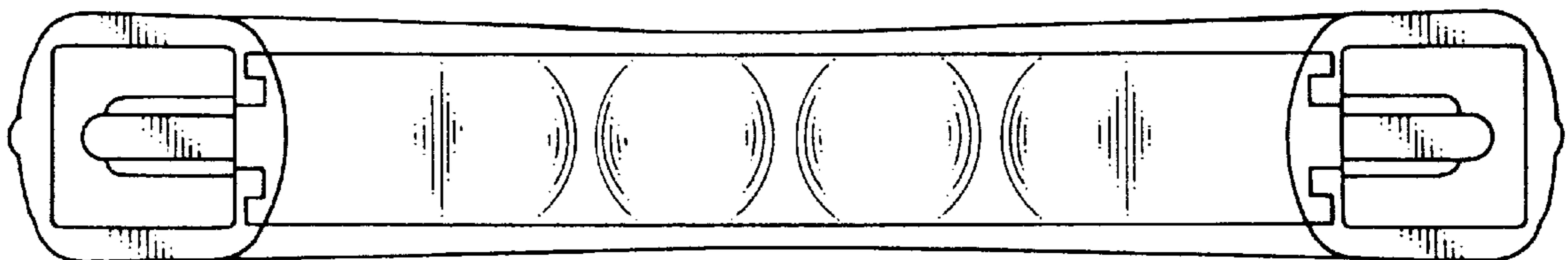


FIG. 7