



US00D432893S

United States Patent [19]

Lu

[11] **Patent Number: Des. 432,893**

[45] **Date of Patent: ** Oct. 31, 2000**

[54] **HANDLE FOR A SUITCASE**

[75] Inventor: **Lien-Ching Lu, Wan Li Chen, Taiwan**

[73] Assignee: **Ting Cheng Co., Ltd., Miao Li Hsien, Taiwan**

[**] Term: **14 Years**

[21] Appl. No.: **29/119,472**

[22] Filed: **Mar. 1, 2000**

[51] **LOC (7) Cl. 08-06**

[52] **U.S. Cl. D8/316**

[58] **Field of Search** D8/300, 306, 315-320;
D3/276, 282, 291; 190/18 A, 39, 100, 115-18;
16/114.1, 407, 408, 409, 410, 411, 430

[56] **References Cited**

U.S. PATENT DOCUMENTS

- D. 188,523 8/1960 Finkelstein D8/306
- D. 301,201 5/1989 King D8/306

- D. 335,810 5/1993 Asien D8/306
- D. 408,709 4/1999 Wang D8/306
- D. 424,400 5/2000 Lin D8/320
- 6,061,871 5/2000 Wang 190/115

Primary Examiner—B. J. Bullock
Attorney, Agent, or Firm—Rosenberg, Klein & Lee

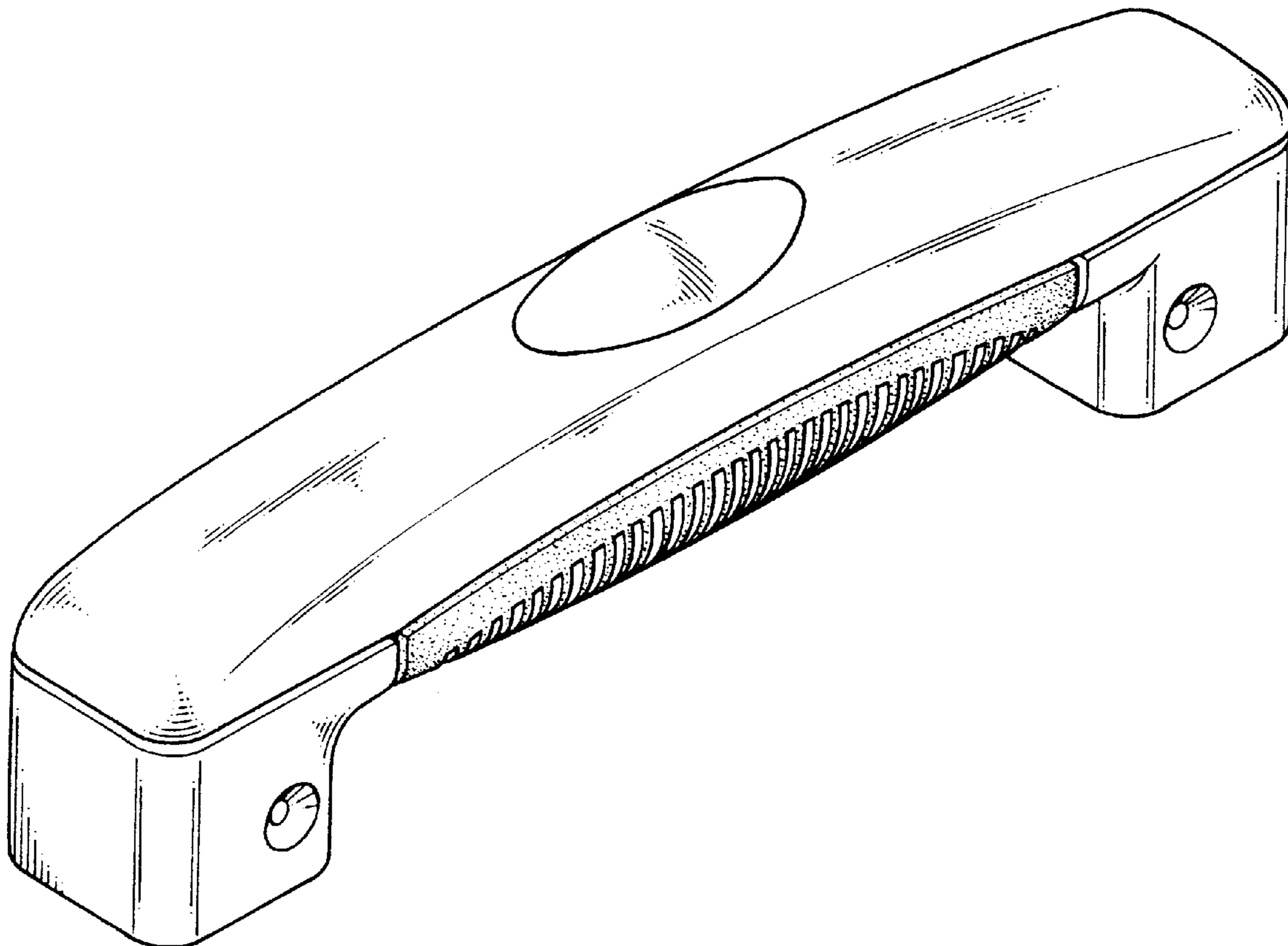
[57] **CLAIM**

The ornamental design for a handle for a suitcase, as shown and described.

DESCRIPTION

FIG. 1 is a perspective view of handle for a suitcase showing my new design;
FIG. 2 is a front elevation view thereof;
FIG. 3 is a rear elevation view thereof;
FIG. 4 is a left side elevation view thereof;
FIG. 5 is a right side elevation view thereof;
FIG. 6 is a top plan view thereof; and,
FIG. 7 is a bottom plan view thereof.

1 Claim, 3 Drawing Sheets



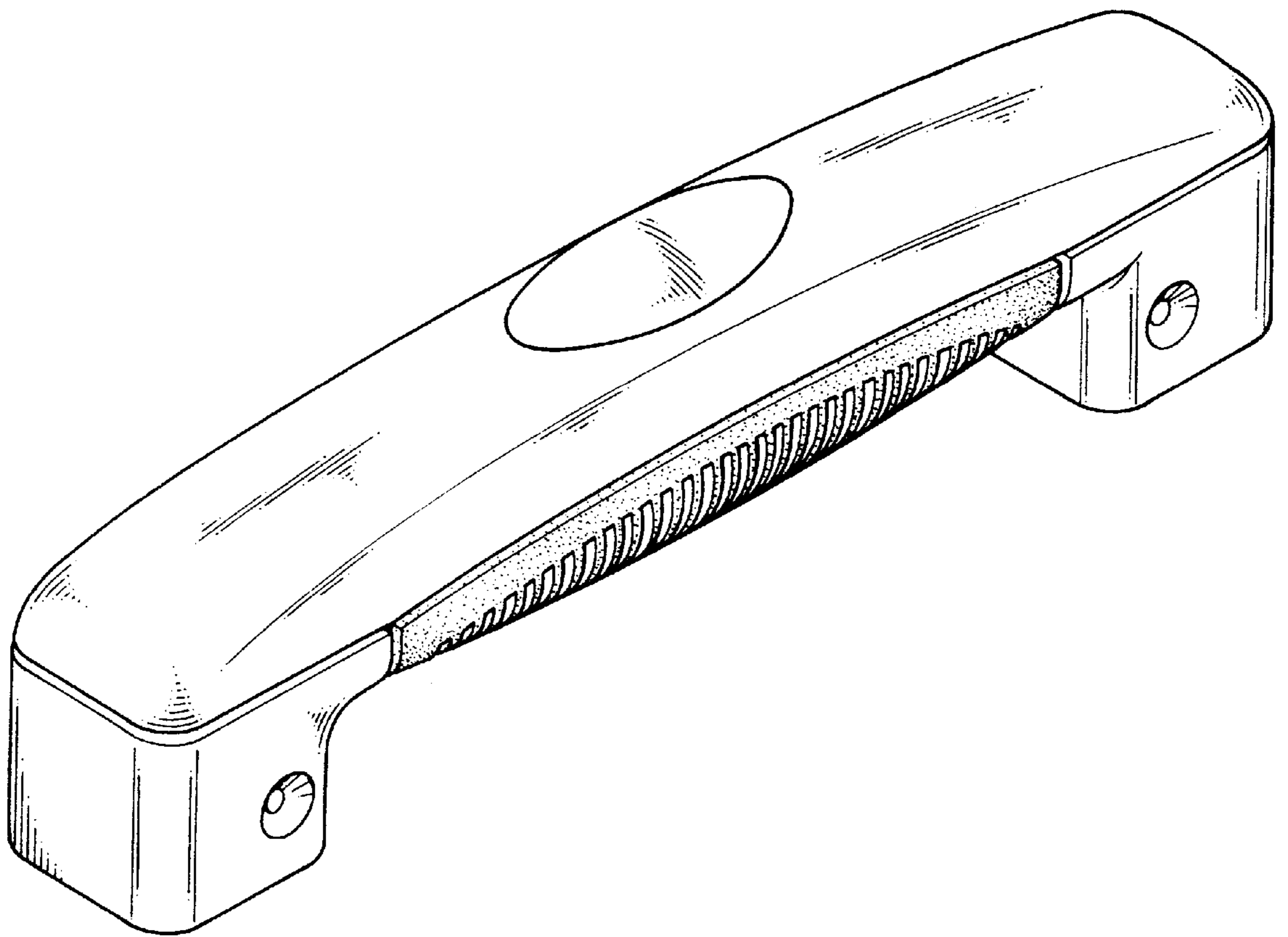


FIG. 1

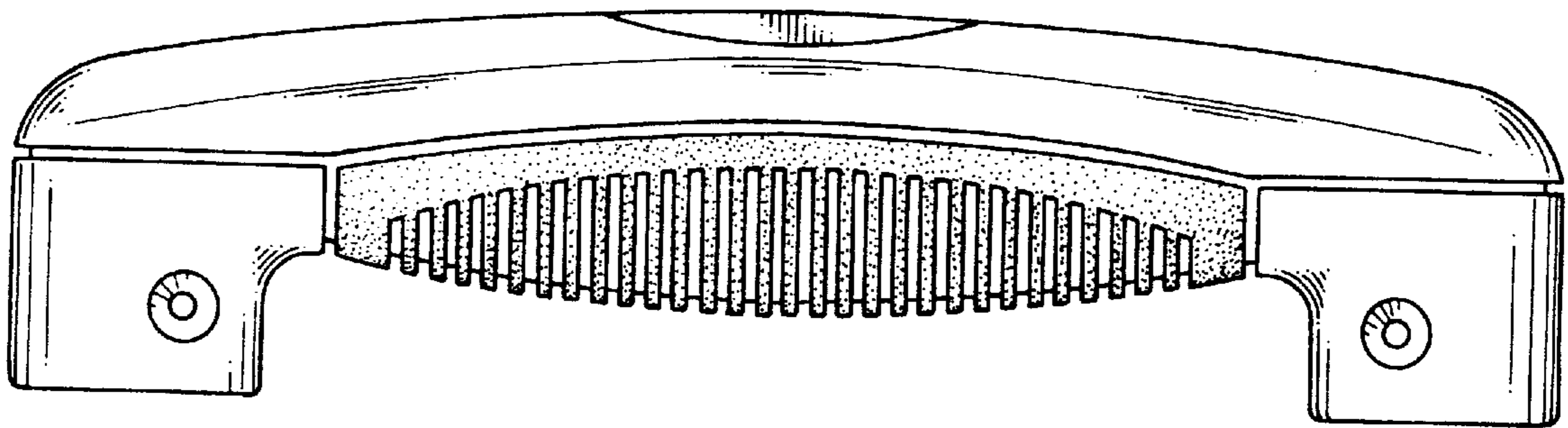


FIG. 2

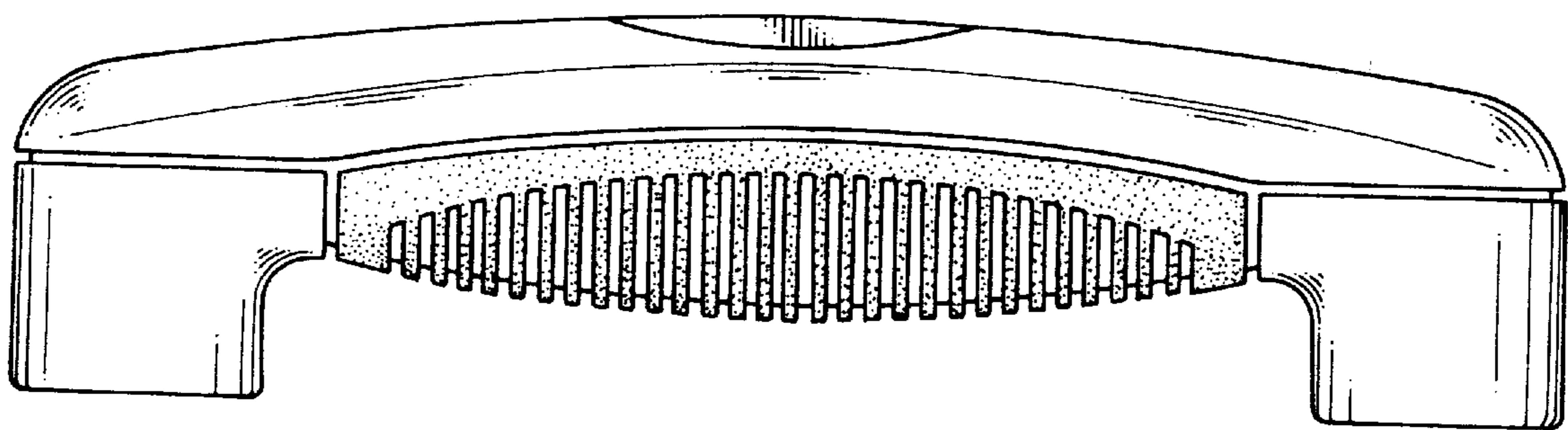


FIG. 3

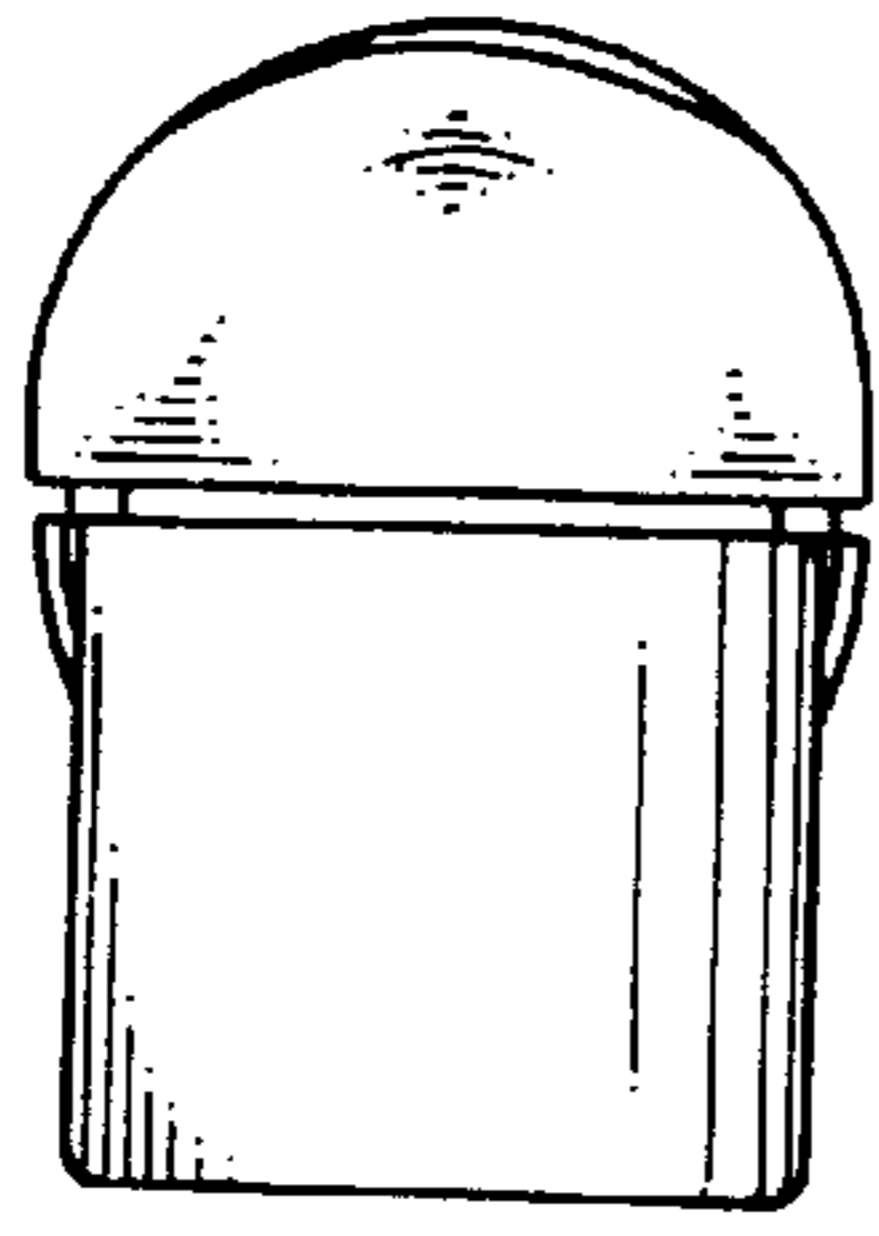


FIG. 4

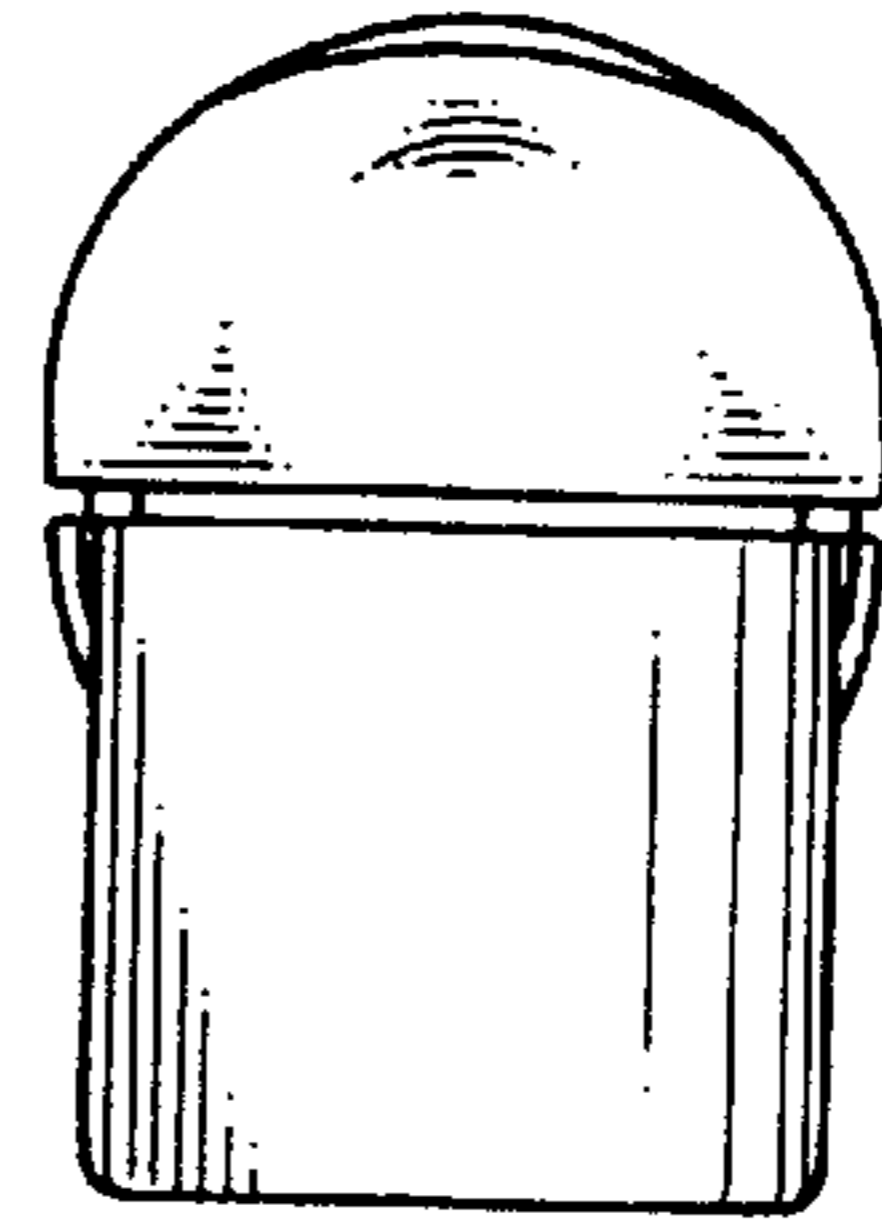


FIG. 5

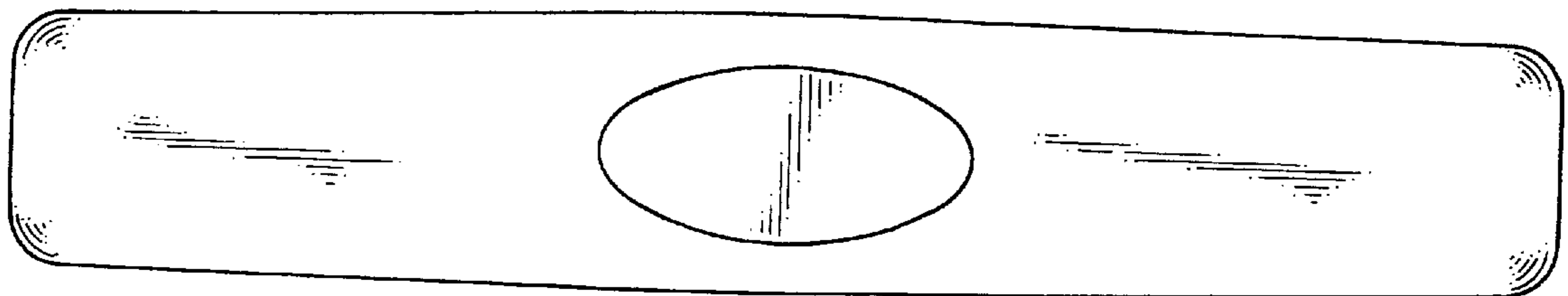


FIG. 6

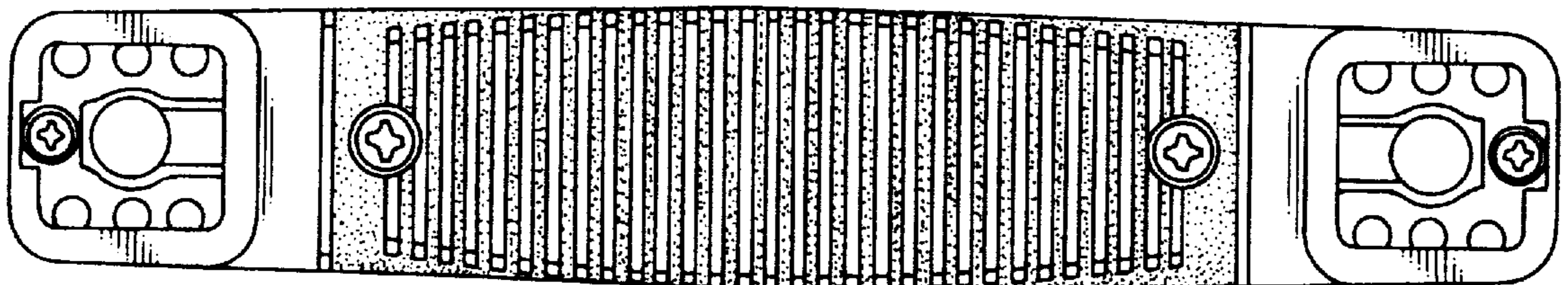


FIG. 7