



US00D432891S

**United States Patent** [19]  
**Sterling**

[11] **Patent Number: Des. 432,891**

[45] **Date of Patent: \*\* Oct. 31, 2000**

[54] **TOOL HANDLE**

[76] Inventor: **Robert E. Sterling**, 22711 N. Glen Dr.,  
Colbert, Wash. 99005

[\*\*] Term: **14 Years**

[21] Appl. No.: **29/117,620**

[22] Filed: **Jan. 26, 2000**

[51] **LOC (7) Cl. .... 08-05**

[52] **U.S. Cl. .... D8/107**

[58] **Field of Search** ..... D8/30, 61, 68,  
D8/107, DIG. 7; 16/110.1, 111.1, 422, 430,  
DIG. 12, DIG. 19; 181/230

[56] **References Cited**

**U.S. PATENT DOCUMENTS**

D. 149,815	6/1948	Hyde	.....	D8/30
D. 167,826	9/1952	Doeden	.....	D8/68
D. 170,892	11/1953	Schoenwald	.....	D8/107
D. 205,091	6/1966	Averitt	.....	D8/68
D. 413,784	9/1999	Tsai	.....	D8/107
D. 414,667	10/1999	Lee	.....	D8/68
D. 420,877	2/2000	Schultz	.....	D8/68
4,205,732	6/1980	Auerbach et al.	.....	181/230
5,952,623	9/1999	Sterling	.....	181/230

*Primary Examiner*—Alan P. Douglas  
*Assistant Examiner*—Reid Hecker  
*Attorney, Agent, or Firm*—Christensen O'Connor Johnson  
Kindness PLLC

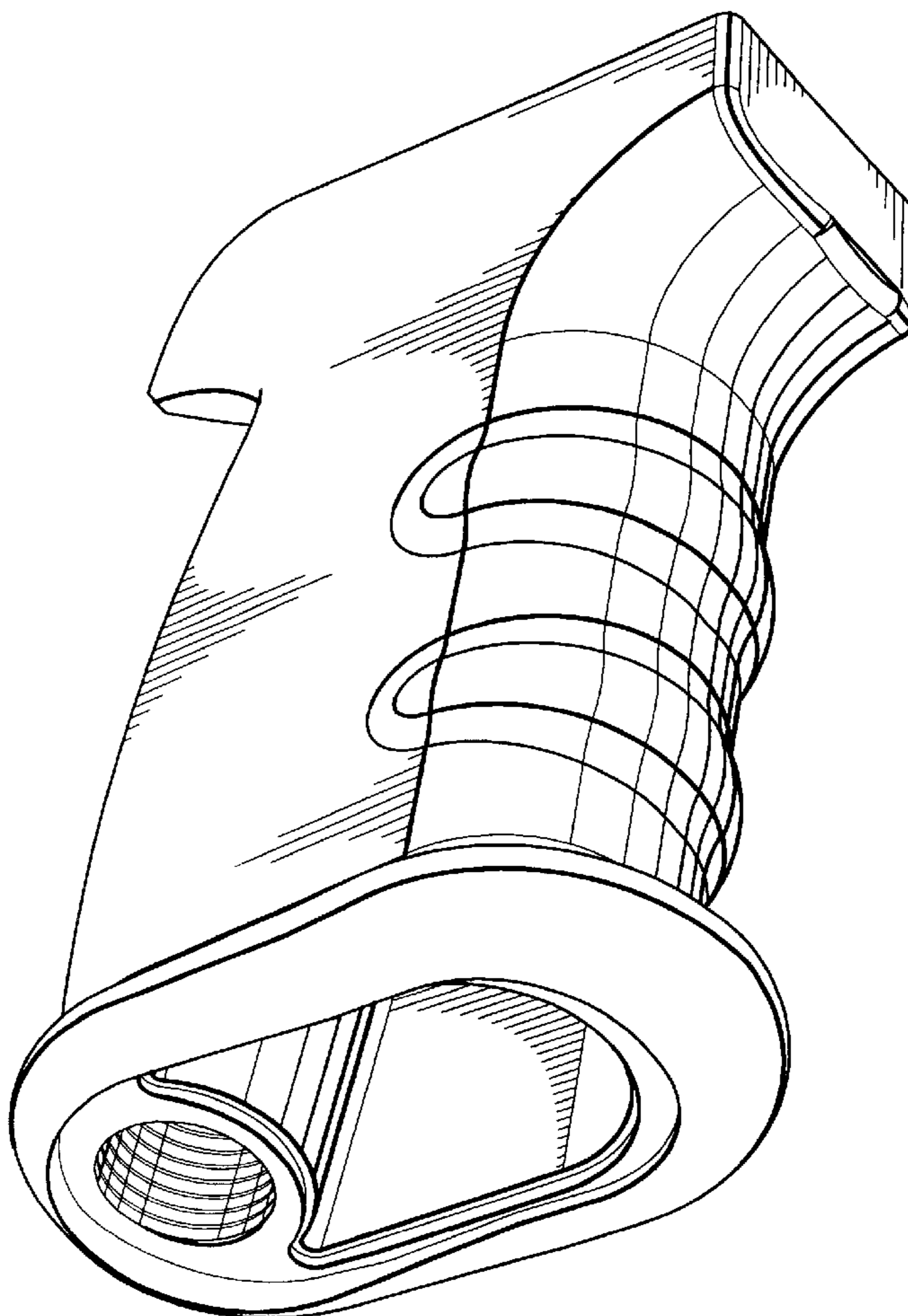
[57] **CLAIM**

The ornamental design for a tool handle, as shown and described.

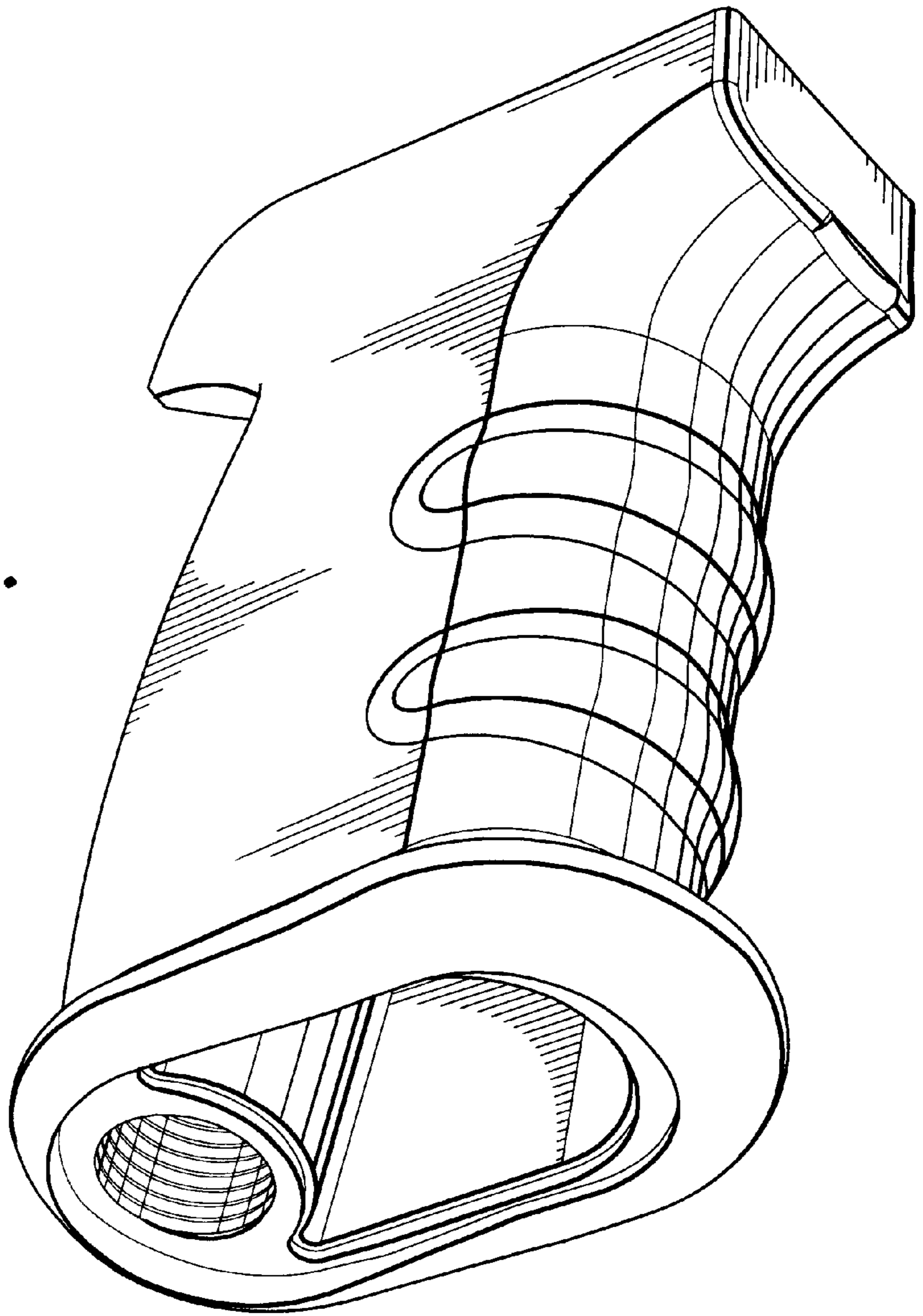
**DESCRIPTION**

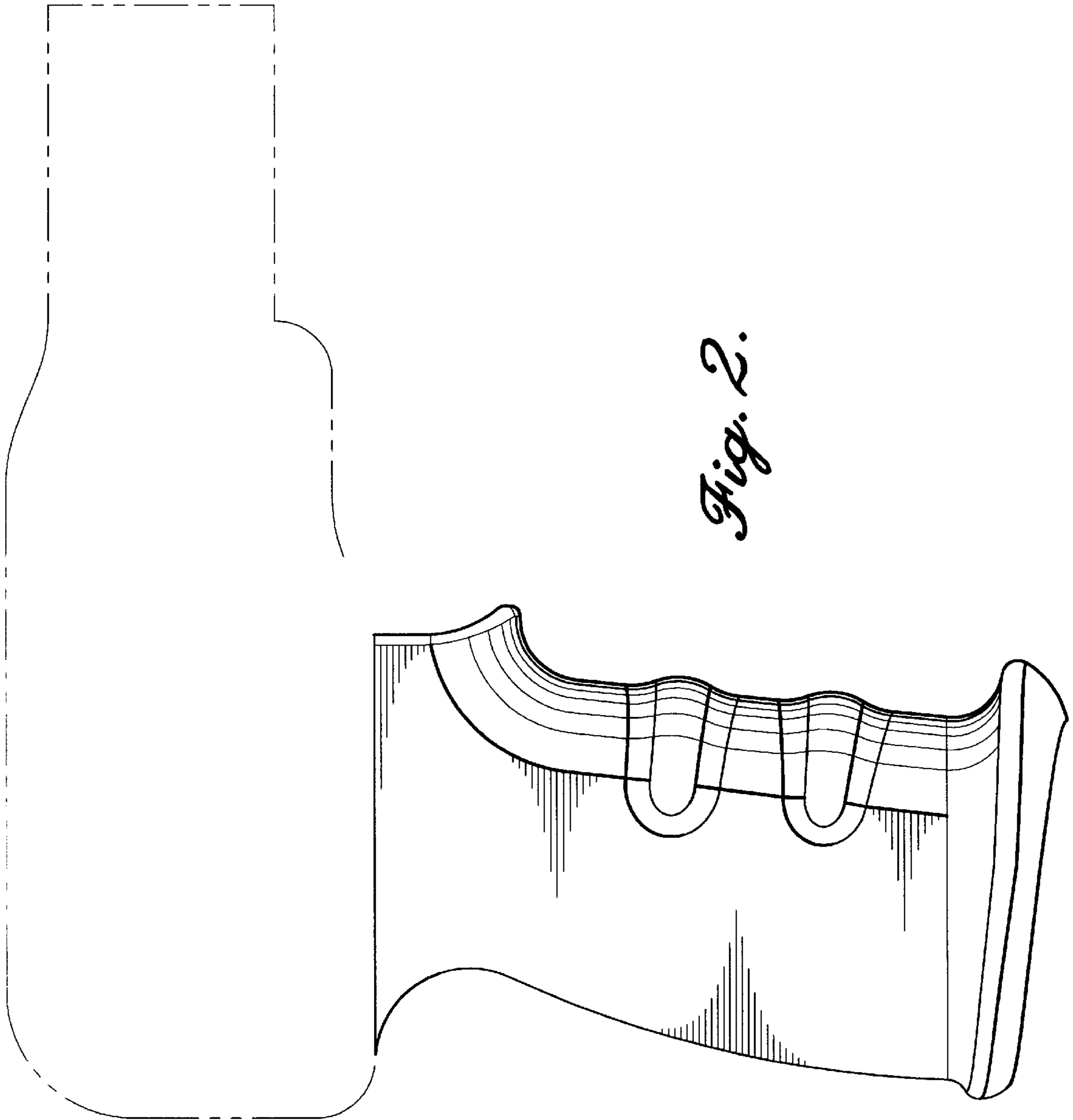
FIG. 1 is a bottom up perspective view of a first embodiment of the subject design tool handle;  
FIG. 2 is a side view of the first embodiment;  
FIG. 3 is a top down planform view of the first embodiment;  
FIG. 4 is a bottom up planform view of the first embodiment;  
FIG. 5 is a front view of the first embodiment;  
FIG. 6 is a back view of the first embodiment;  
FIG. 7 is a bottom up perspective view of a second embodiment of the subject design tool handle;  
FIG. 8 is a side view of the second embodiment;  
FIG. 9 is a top down planform view of the second embodiment;  
FIG. 10 is a bottom up planform view of the second embodiment;  
FIG. 11 is a front view of the second embodiment; and,  
FIG. 12 is a back view of the second embodiment.

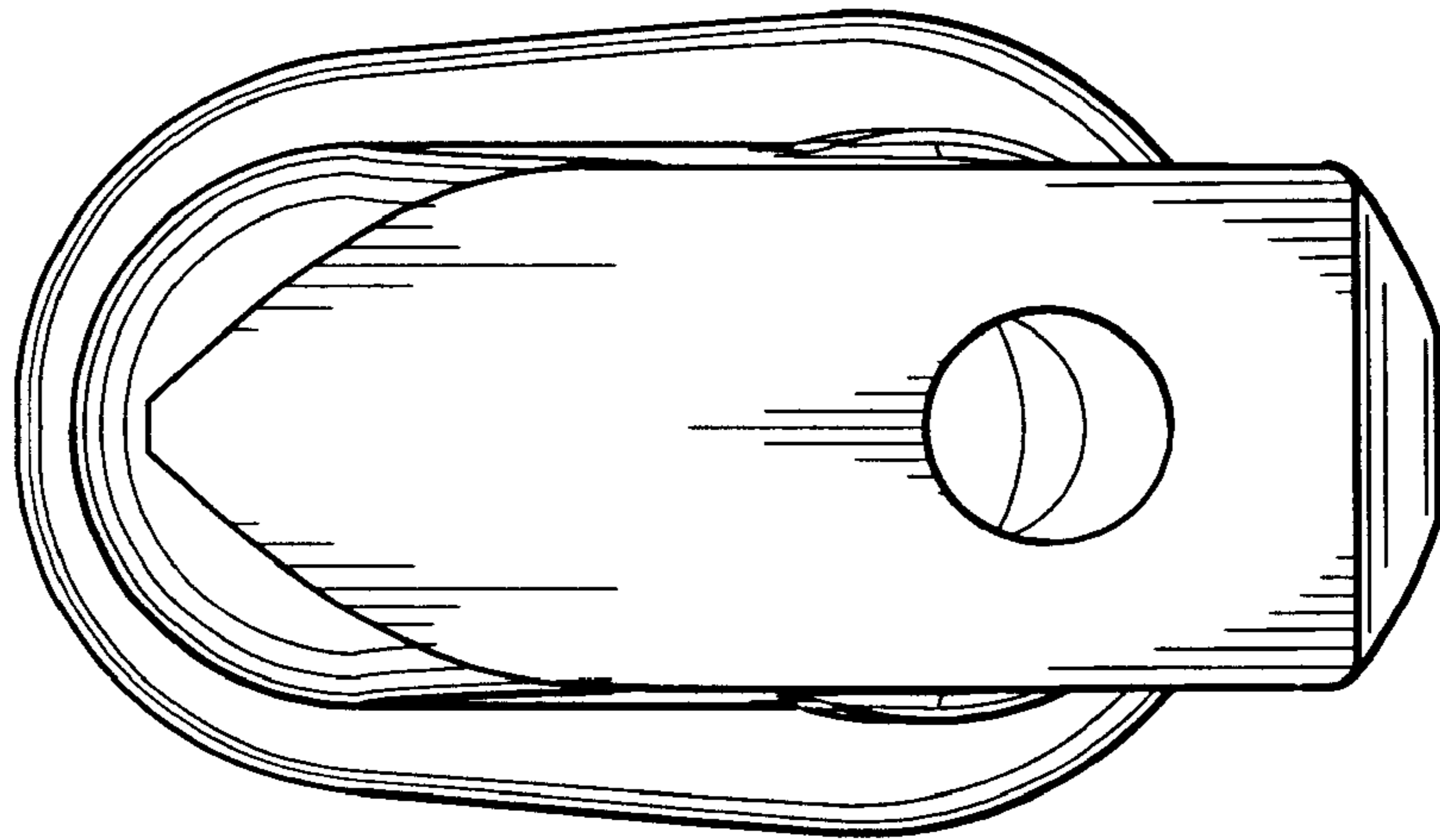
**1 Claim, 8 Drawing Sheets**



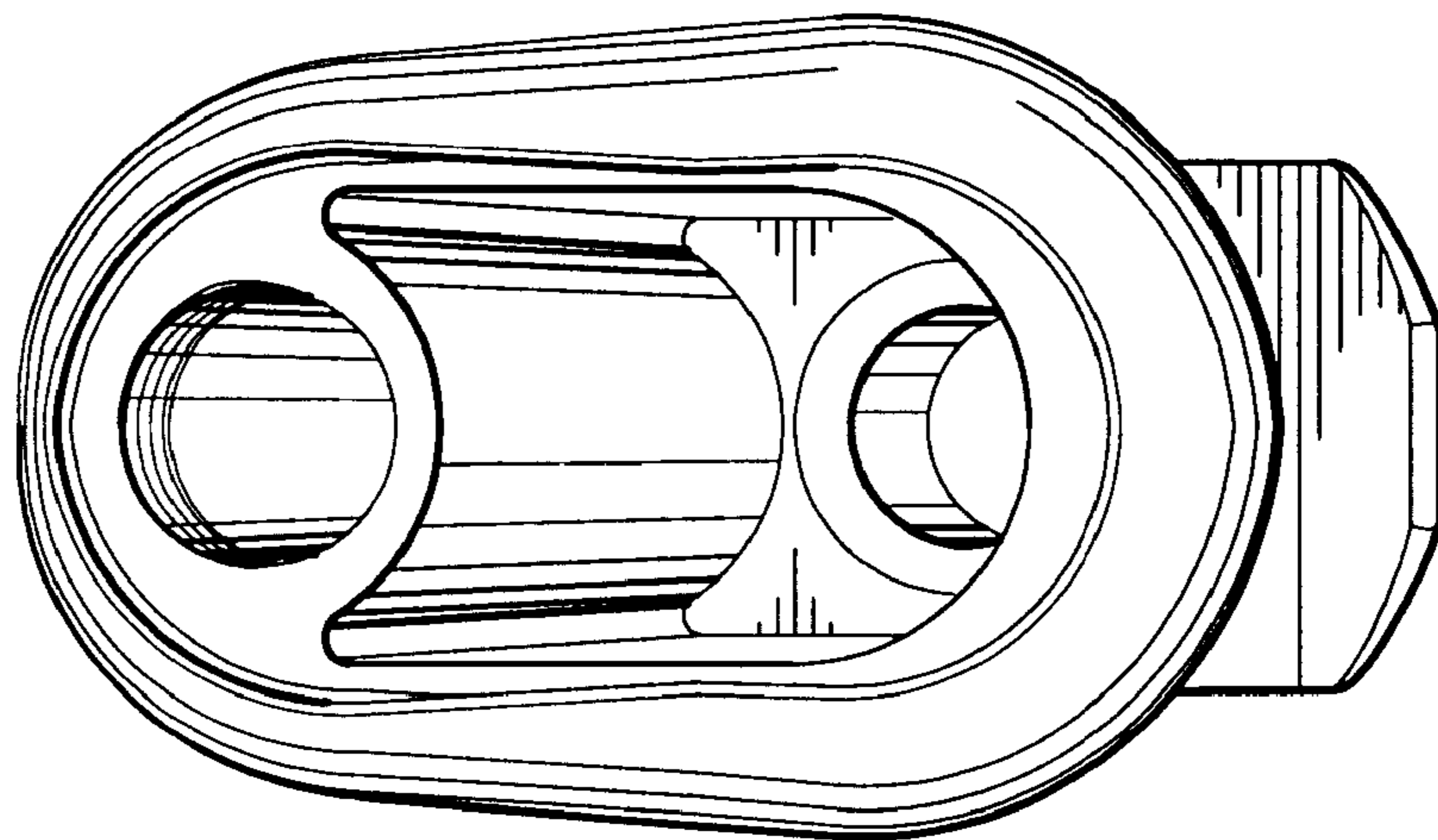
*Fig. 1.*



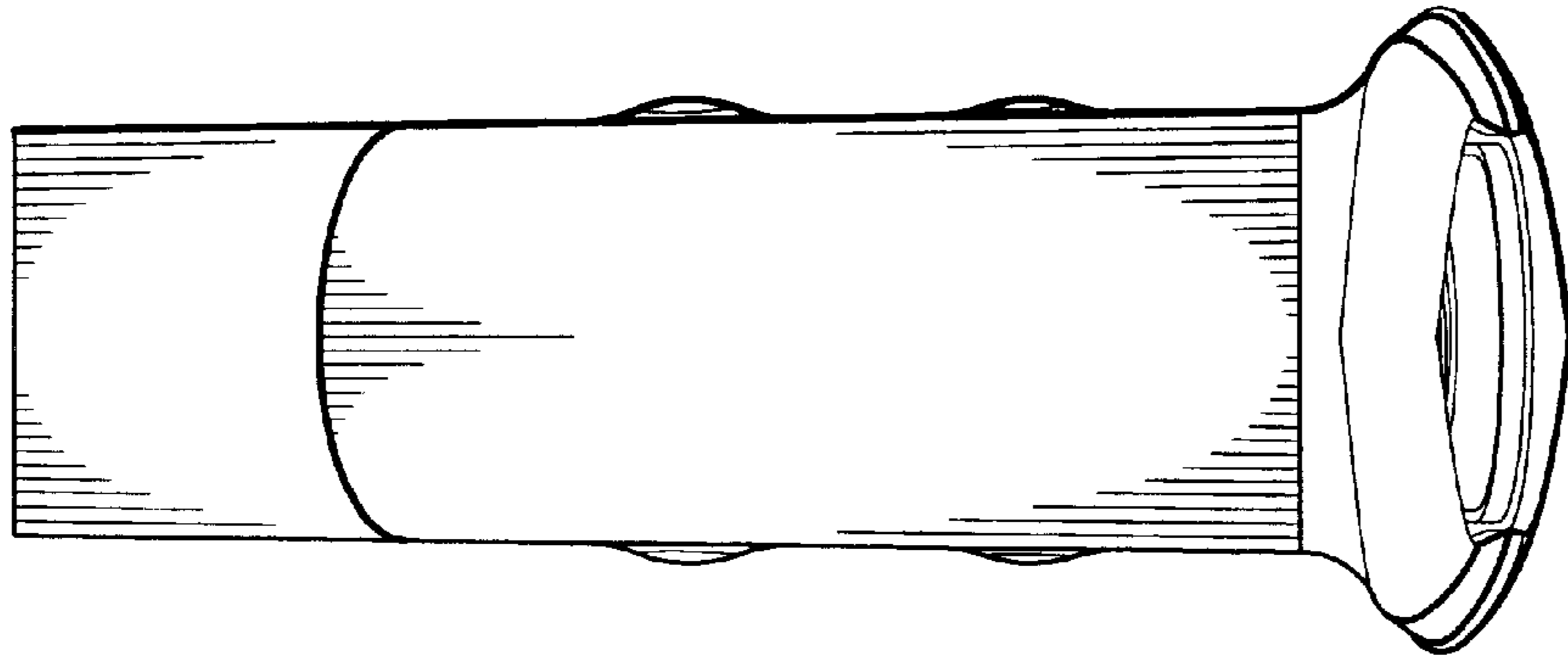




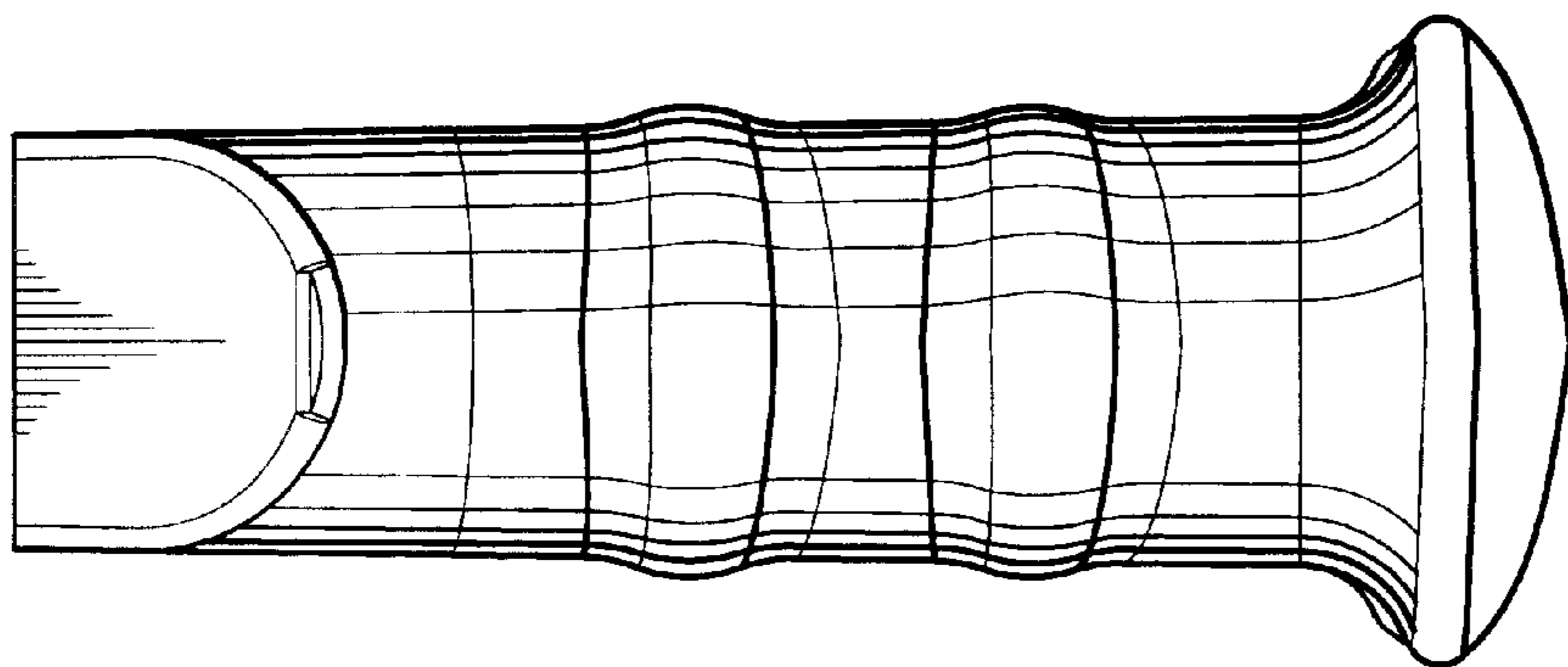
*Fig. 3.*



*Fig. 4.*

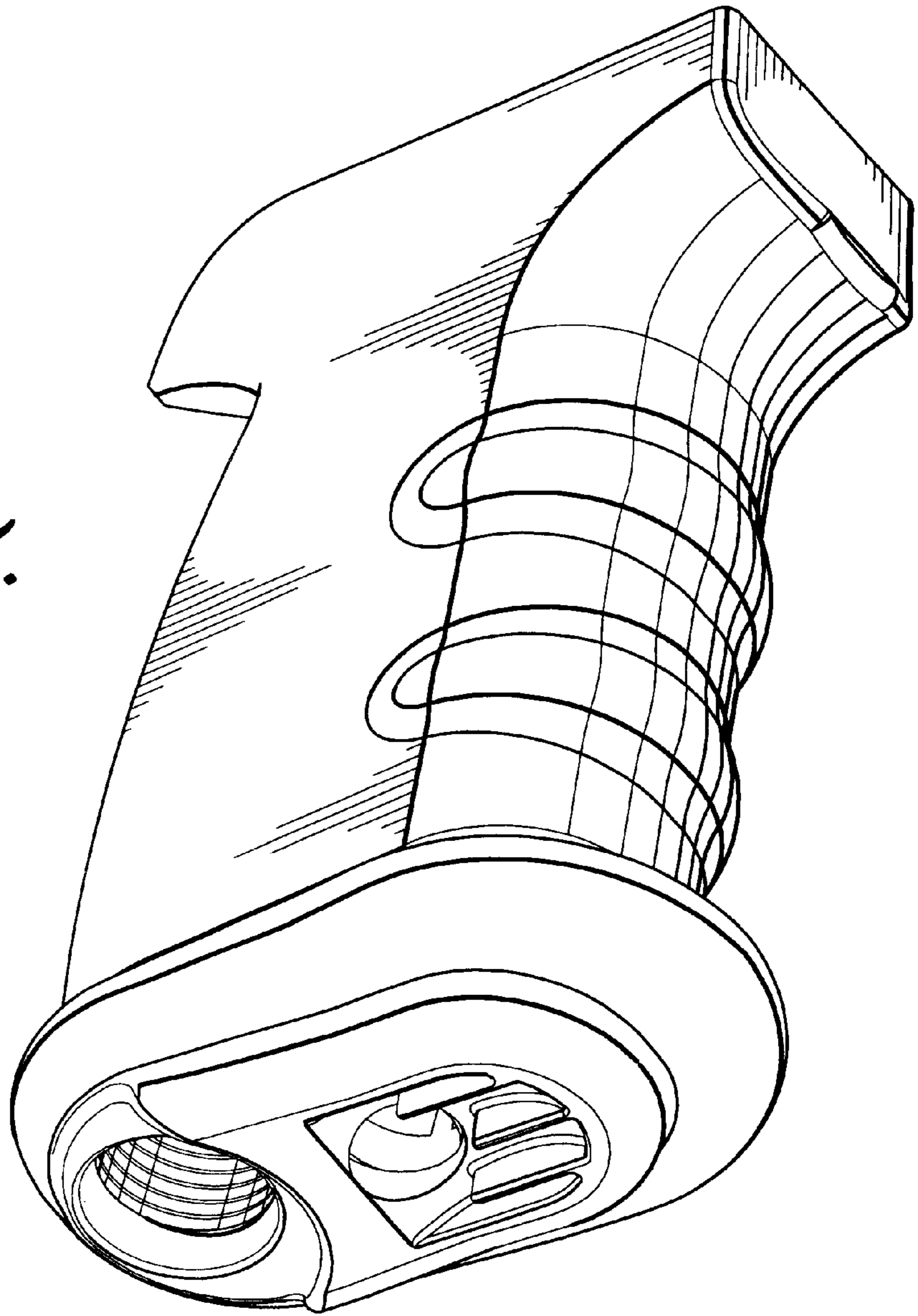


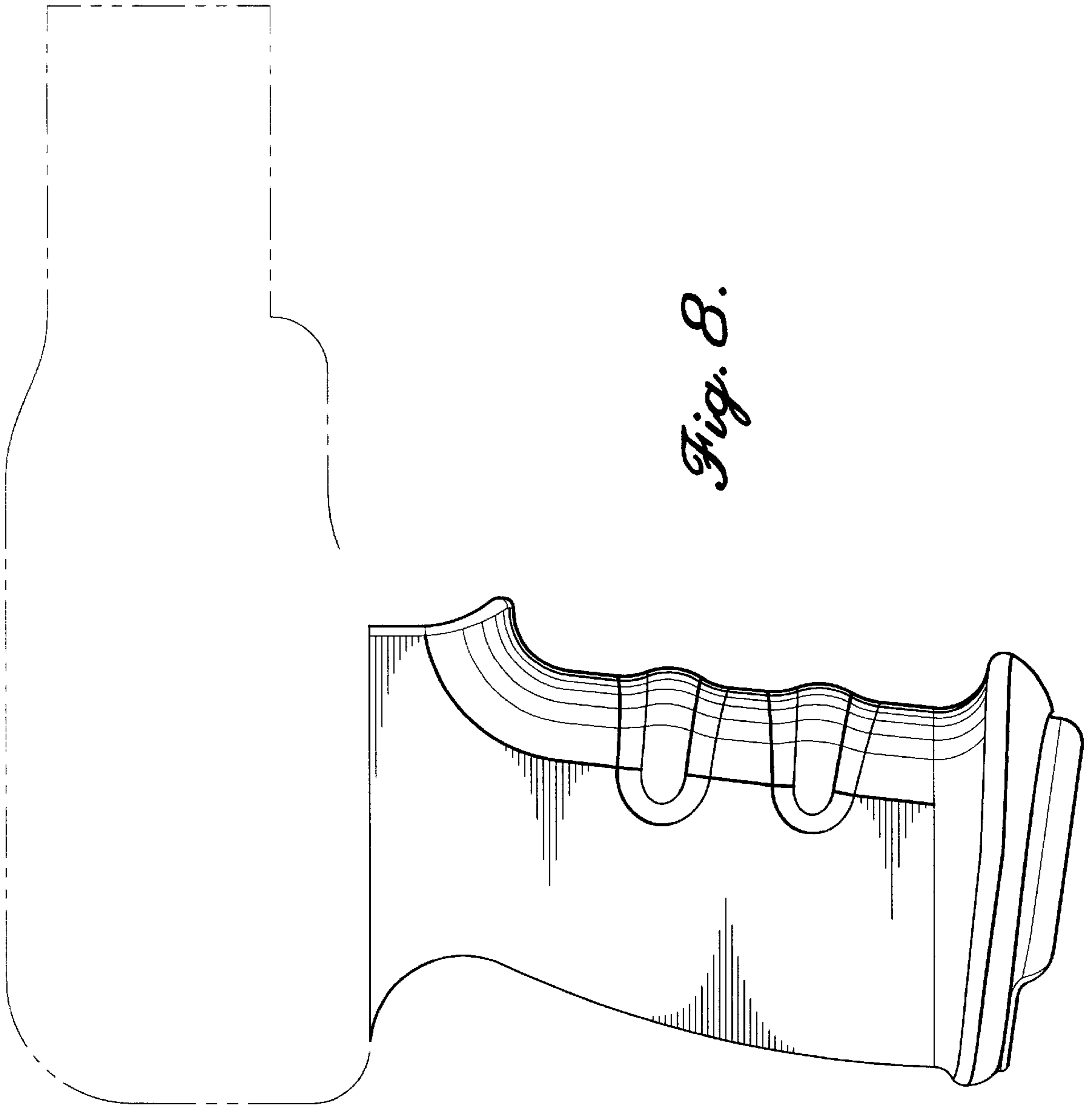
*Fig. 6.*

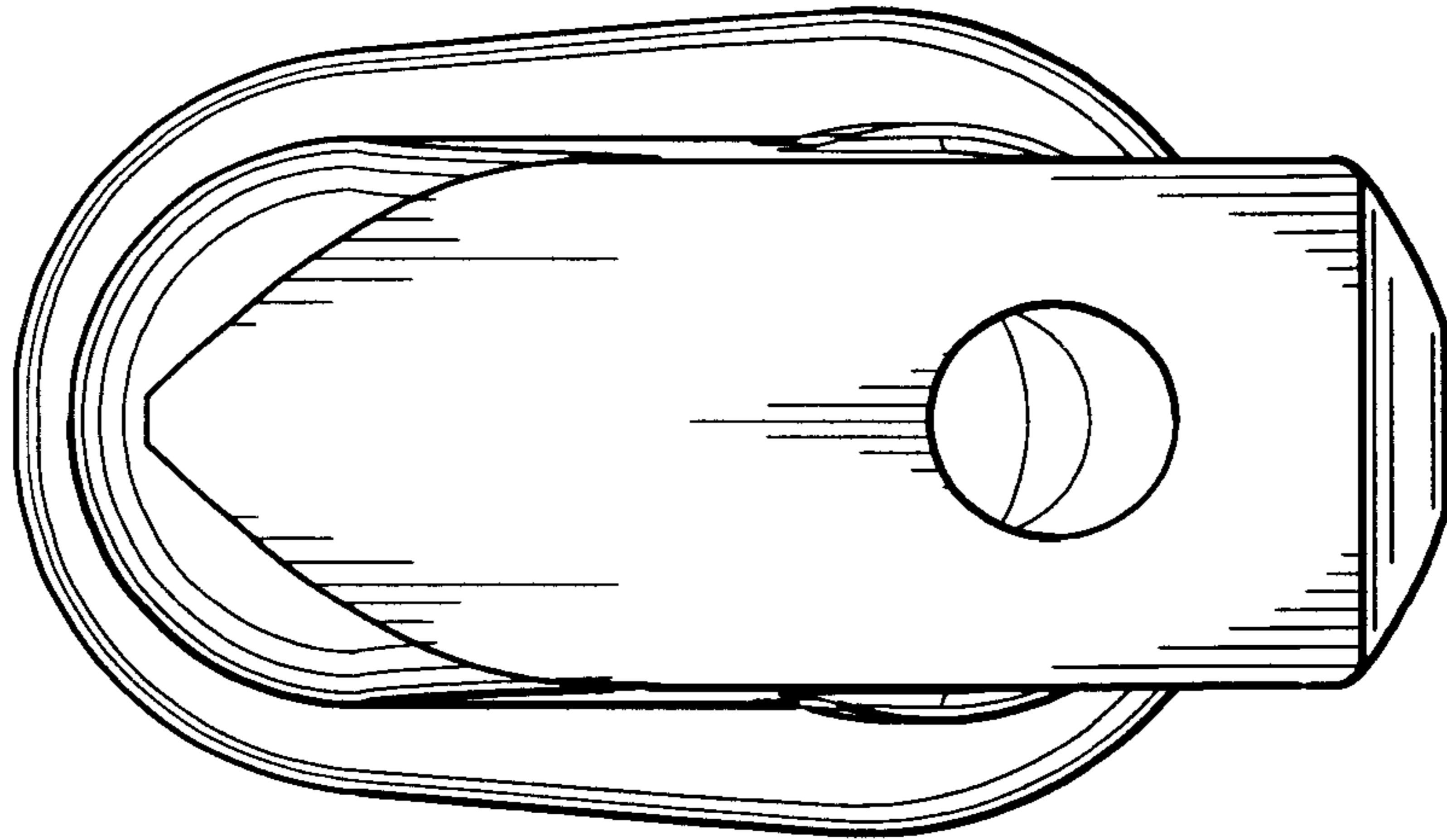


*Fig. 5.*

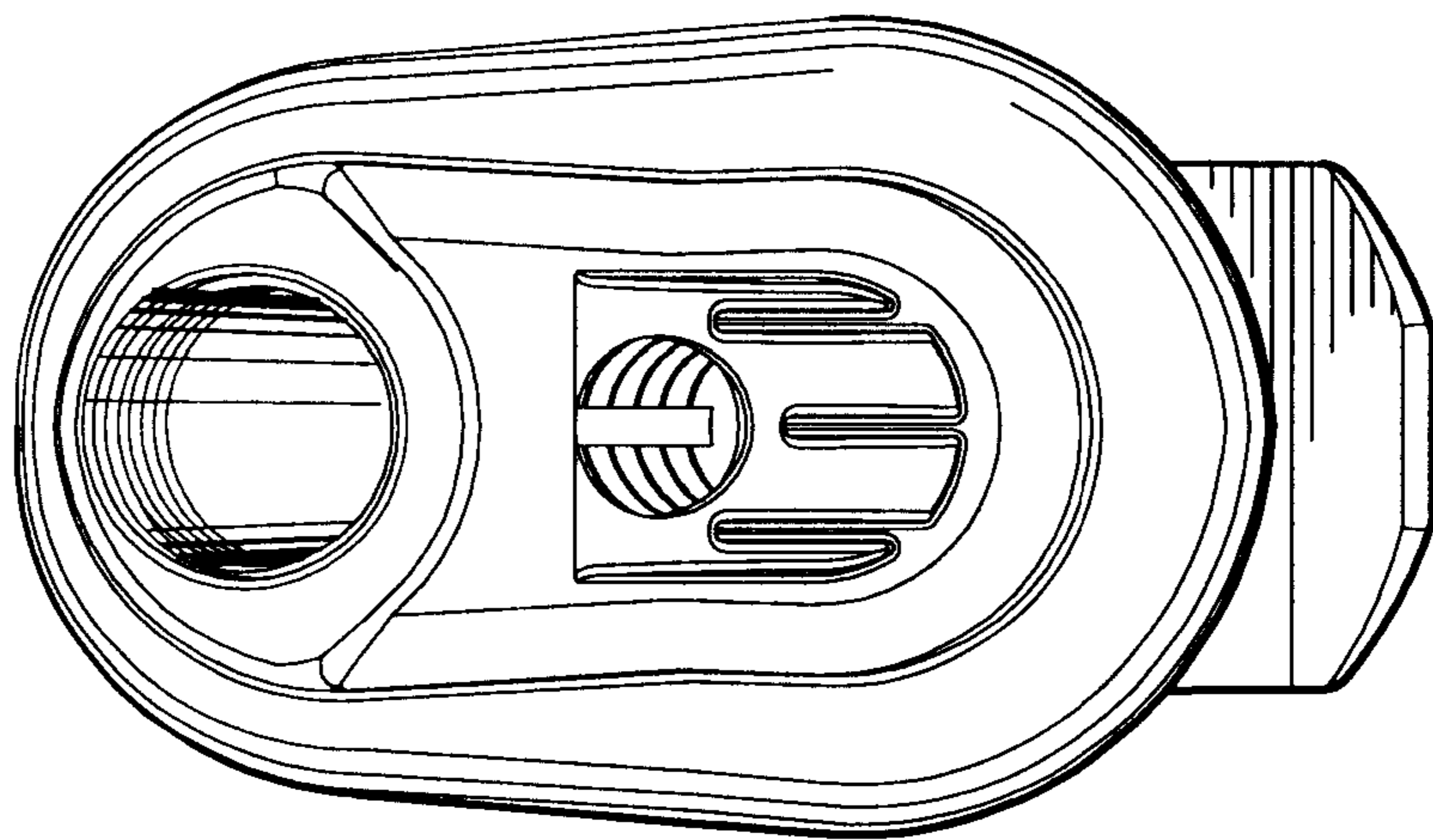
*Fig. 7.*





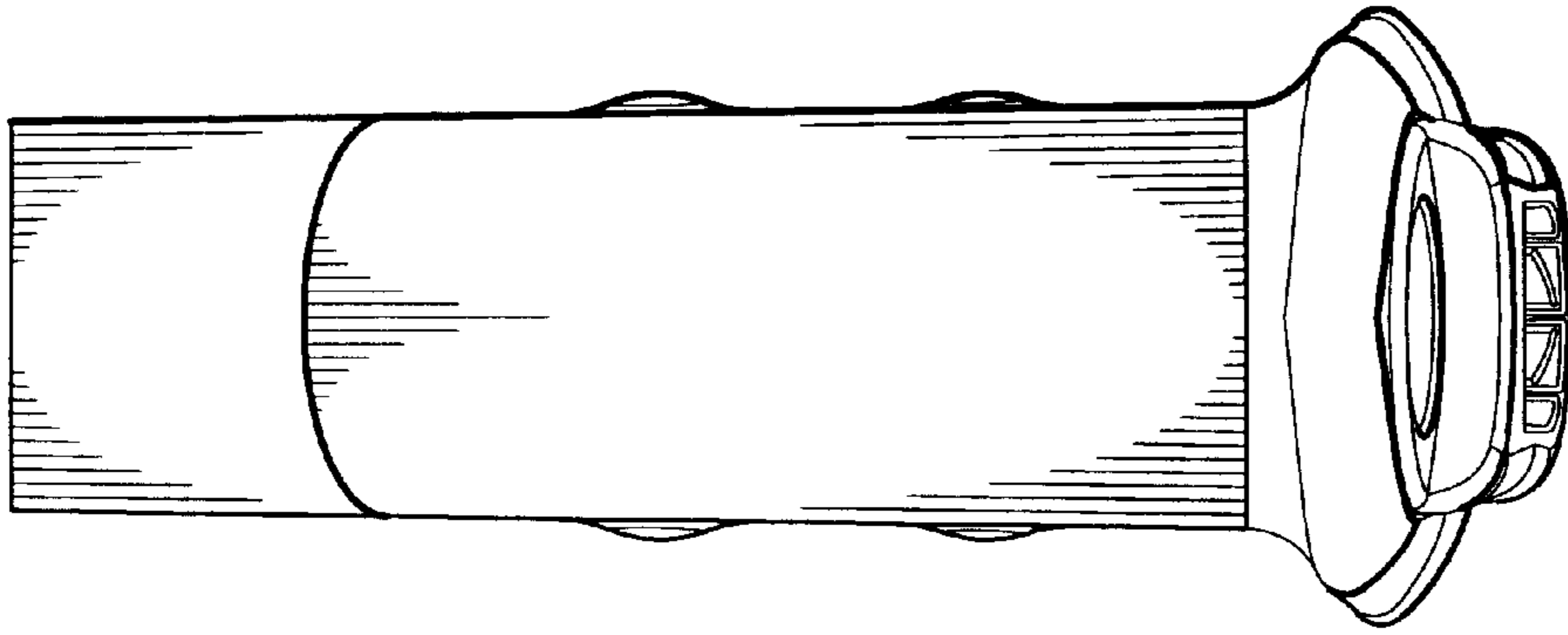


*Fig. 9.*

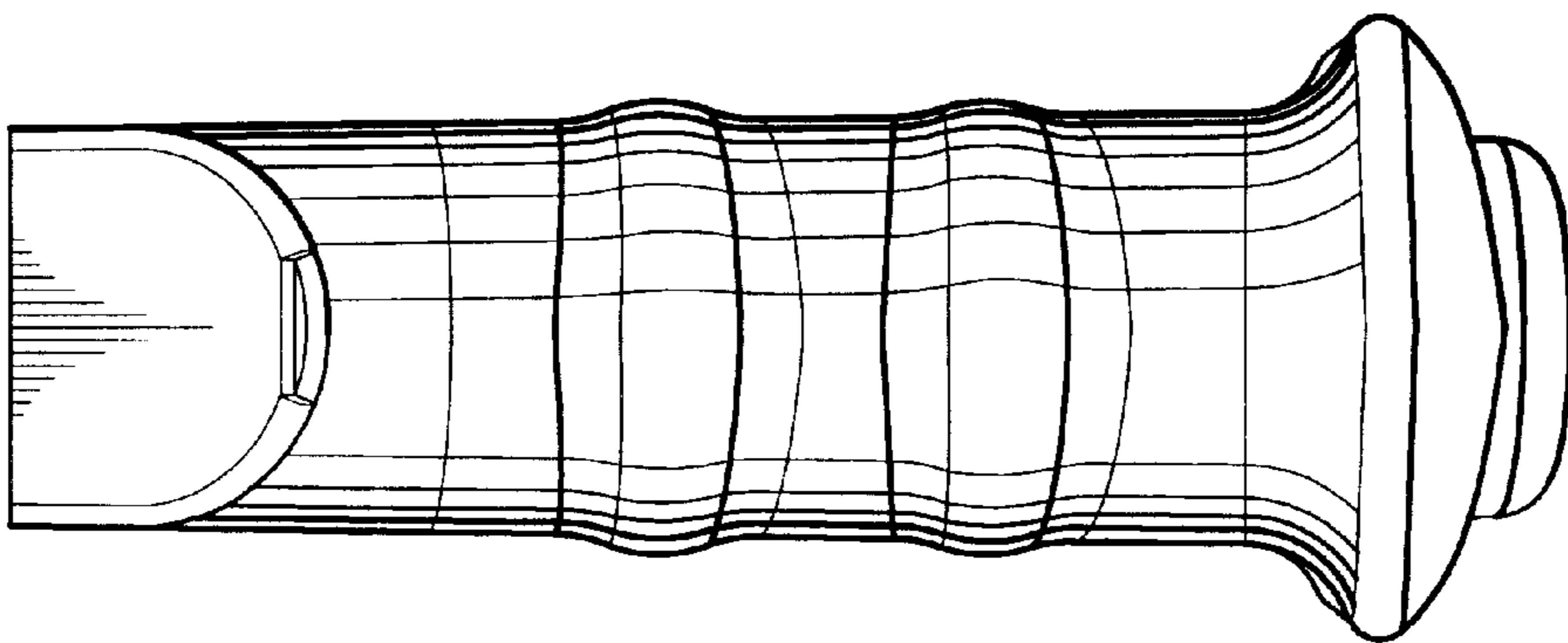


*Fig. 10.*





*Fig. 12.*



*Fig. 11.*