



US00D432890S

United States Patent [19]
Webb

[11] **Patent Number: Des. 432,890**

[45] **Date of Patent: ** Oct. 31, 2000**

[54] **WRENCH EXTENSION**

[76] Inventor: **James Webb**, 3112 Kashiwa St.,
Torrance, Calif. 90505

[**] Term: **14 Years**

[21] Appl. No.: **29/108,133**

[22] Filed: **Jul. 22, 1999**

[51] **LOC (7) Cl.** **08-05**

[52] **U.S. Cl.** **D8/107; D8/22**

[58] **Field of Search** D8/21, 107; 16/429,
16/427; 81/177.2, 180.1, 184; 294/19.1

[56] **References Cited**

U.S. PATENT DOCUMENTS

D. 377,745	2/1997	Laun	D8/107
1,705,625	3/1929	Mitchell	16/429 X
5,324,086	6/1994	Hammer	294/19.1

Primary Examiner—Richelle Shelton
Attorney, Agent, or Firm—Roger A. Marrs

[57] **CLAIM**

The ornamental design for a wrench extension, as shown and described.

DESCRIPTION

FIG. 1 is a perspective view of a wrench extension showing my new design;

FIG. 2 is a top view thereof;

FIG. 3 is a bottom view thereof;

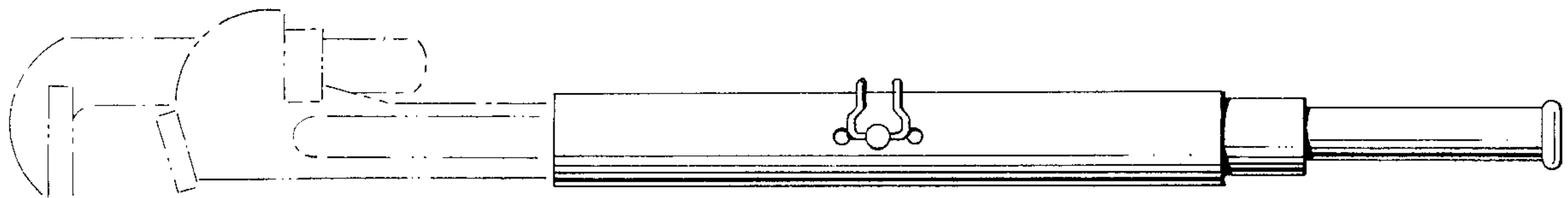
FIG. 4 is a side elevational view thereof;

FIG. 5 is a rear elevational view thereof; and,

FIG. 6 is a front elevational view thereof.

The dotted line showing of a wrench in FIG. 2 is for illustrative purposes and forms no part of the inventive design.

1 Claim, 1 Drawing Sheet



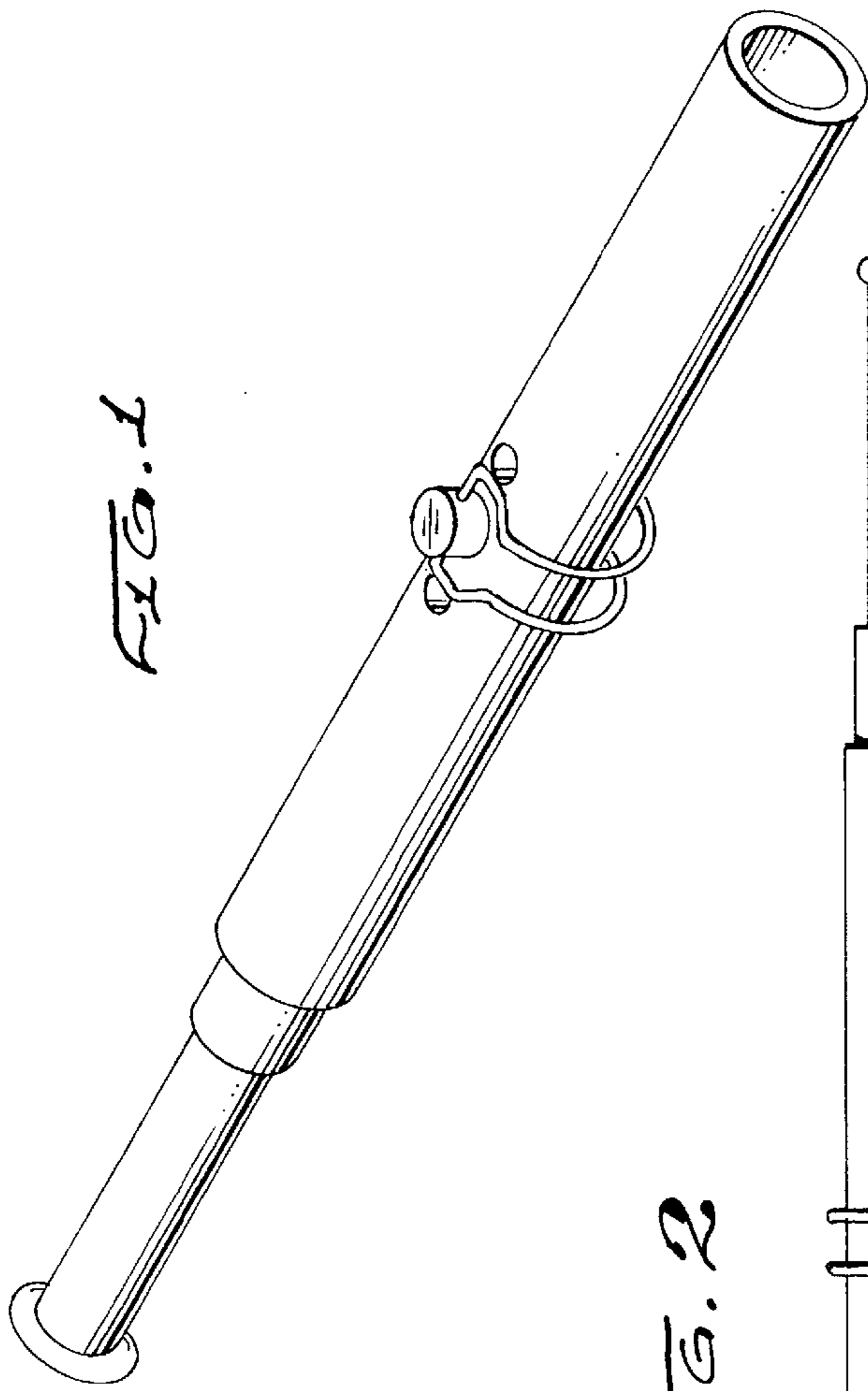


FIG. 1

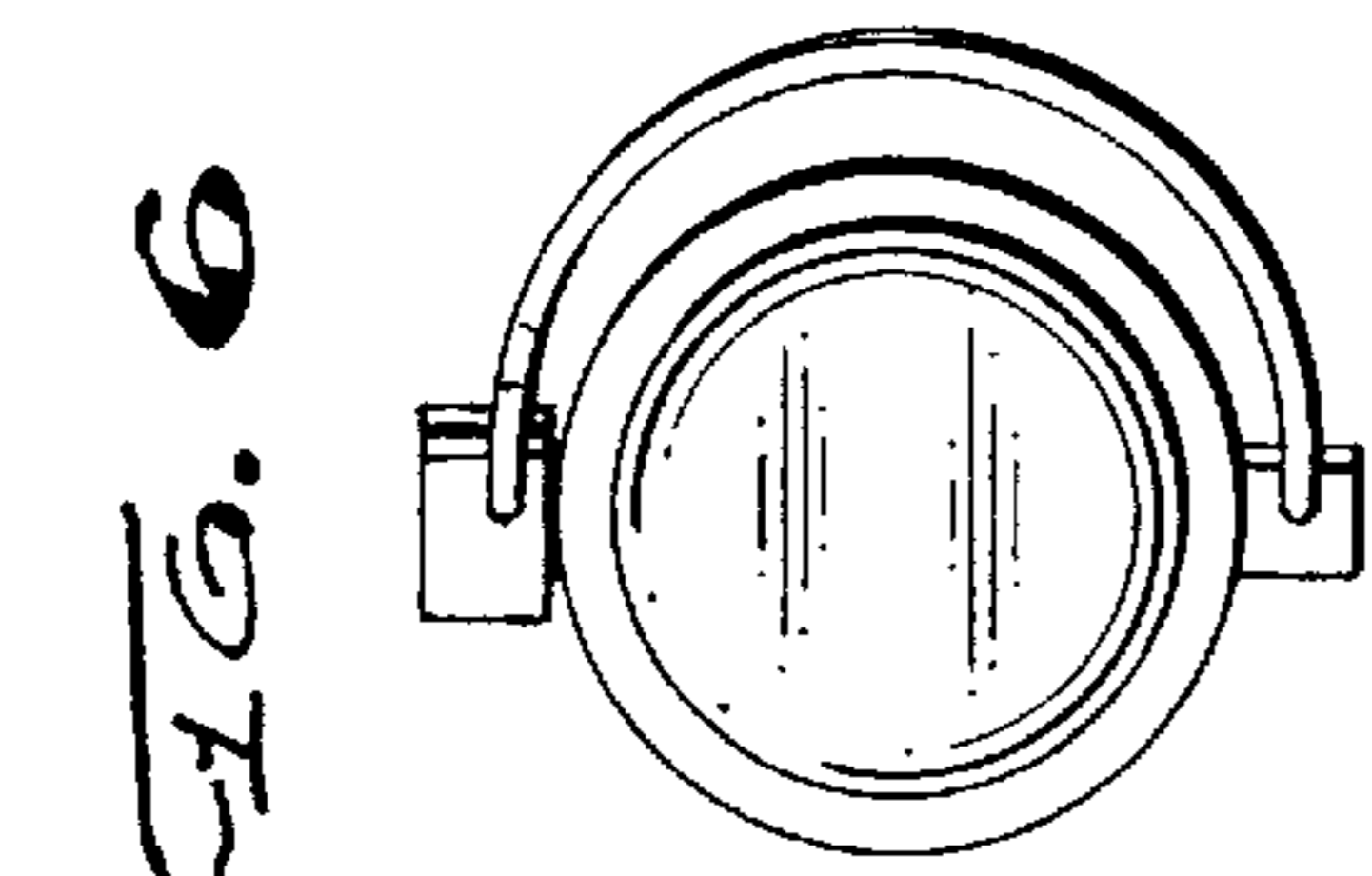


FIG. 2

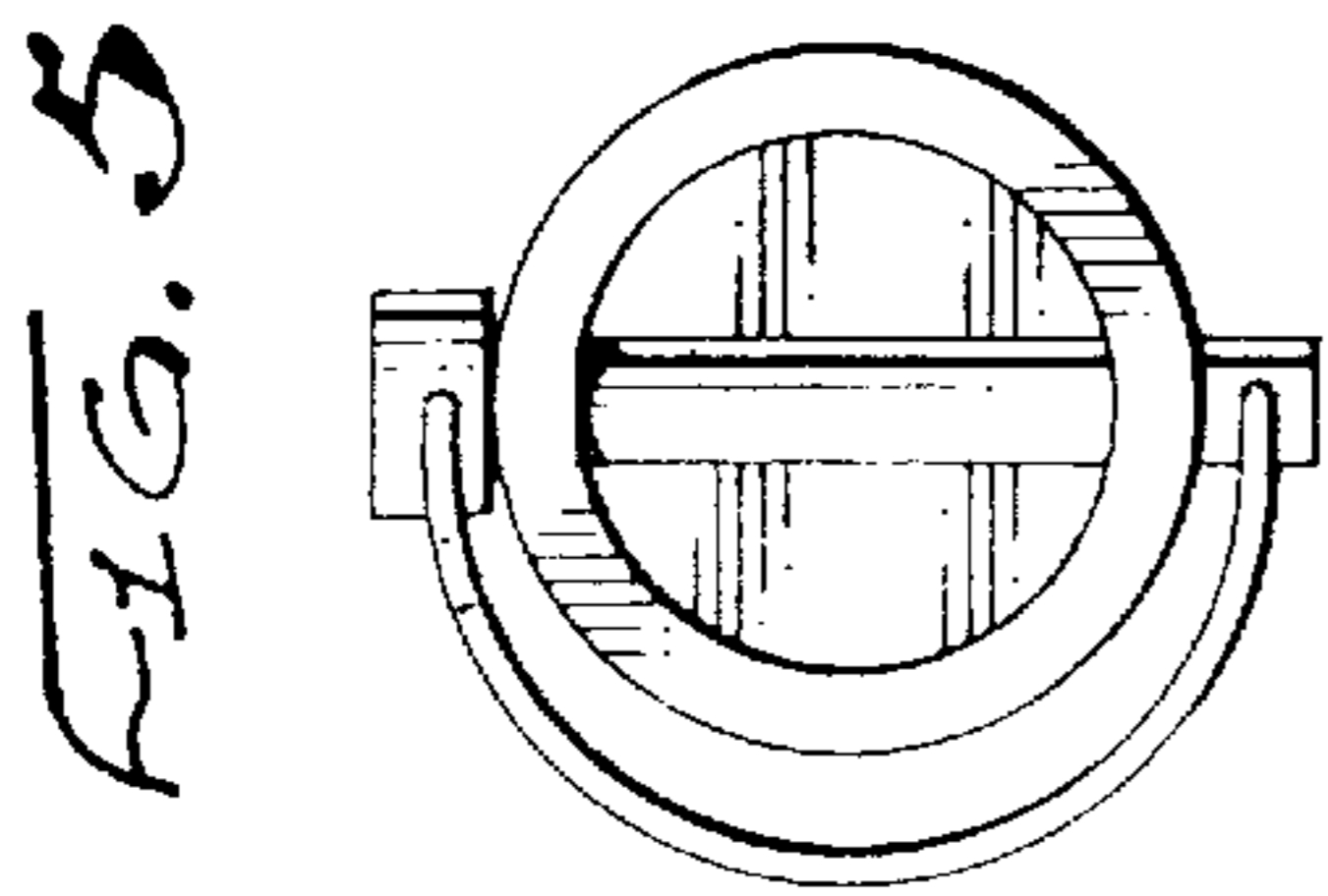


FIG. 3

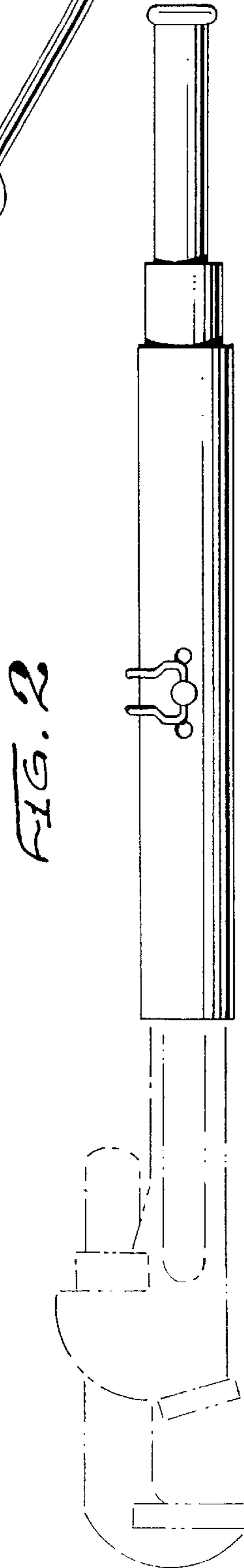


FIG. 4

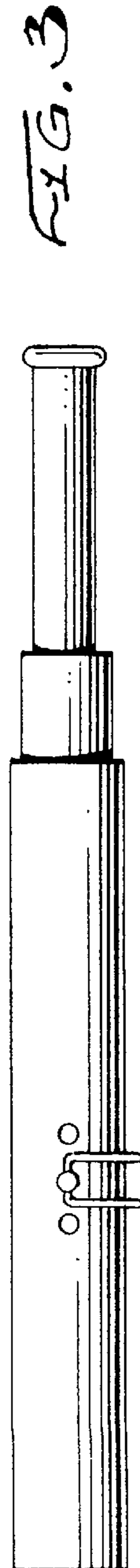


FIG. 5

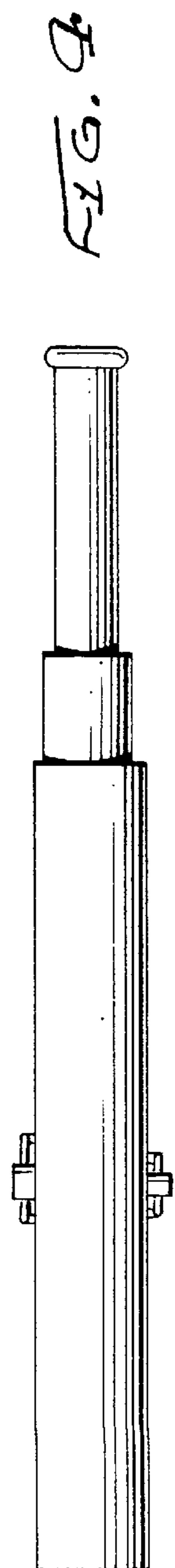


FIG. 6