

US00D432886S

United States Patent [19] Hembroff

[11] Patent Number: **Des. 432,886**

[45] Date of Patent: **** Oct. 31, 2000**

[54] **VICE JAW ADAPTER**

[76] Inventor: **Scott A. Hembroff**, 9532 Interlake Ave.
N., Seattle, Wash. 98103

[**] Term: **14 Years**

[21] Appl. No.: **29/116,708**

[22] Filed: **Jan. 7, 2000**

[51] **LOC (7) Cl.** **08-05**

[52] **U.S. Cl.** **D8/74**

[58] **Field of Search** D8/71, 72, 73,
D8/74; D15/138, 140; 269/259, 271, 279,
280, 247, 32, 25

[56] **References Cited**

U.S. PATENT DOCUMENTS

D. 263,787	4/1982	Testa et al.	D8/74
D. 309,701	8/1990	Newmeyer et al.	D8/74
D. 316,954	5/1991	Glaser et al.	D8/74
2,646,708	7/1953	Nickas, Jr. .	
2,938,414	5/1960	Blomme .	

3,063,707	11/1962	Kelley	D8/74
4,133,519	1/1979	Shin et al.	269/247
4,383,682	5/1983	Feinberg	269/76
4,448,405	5/1984	Cipolla	269/32
4,830,350	5/1989	Kuei	269/279
5,163,665	11/1992	Klearman	269/280
5,316,277	5/1994	Banks	269/25

Primary Examiner—Philip S. Hyder
Attorney, Agent, or Firm—Dean A. Caine

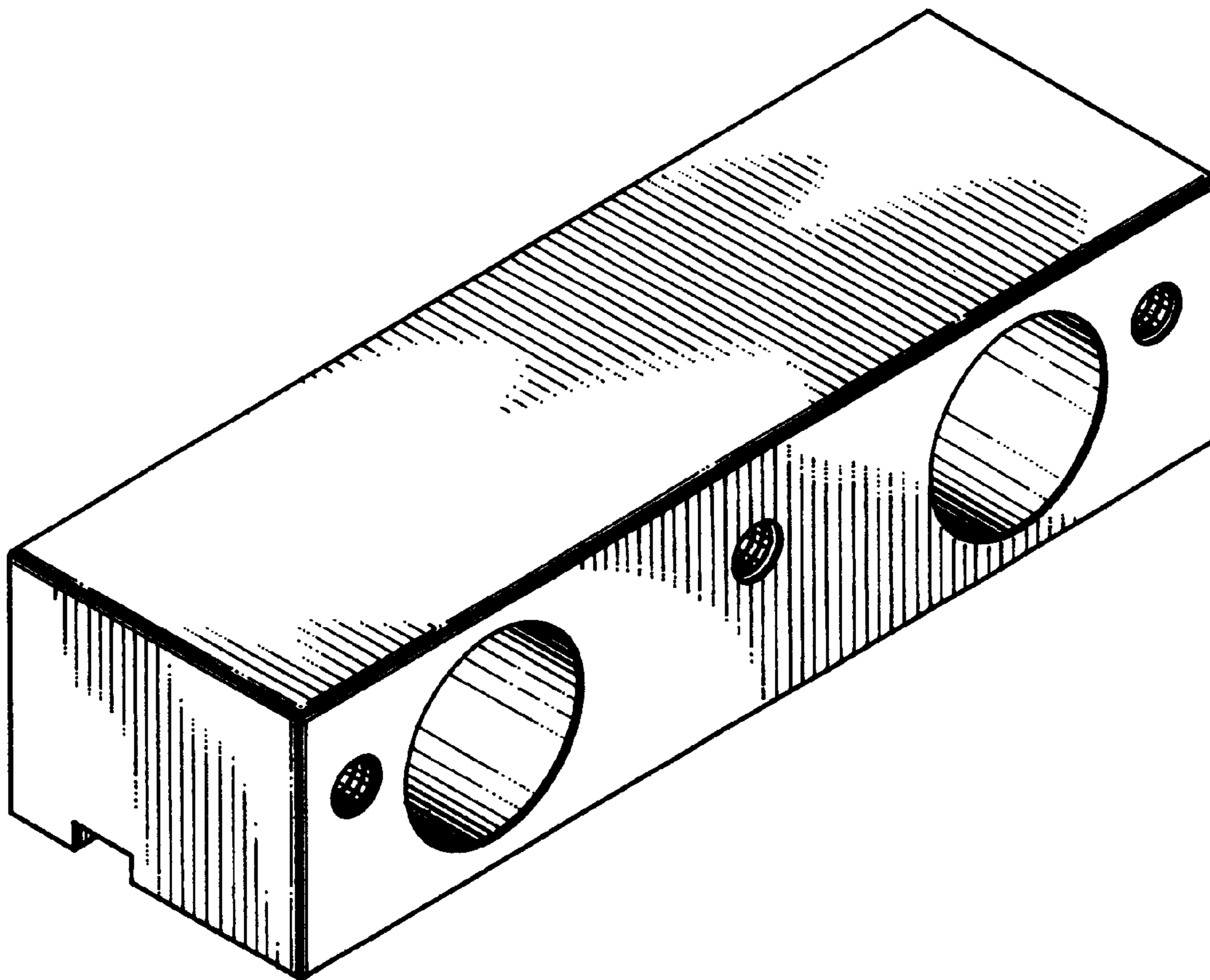
[57] **CLAIM**

The ornamental design for a vice jaw adapter, as shown and described.

DESCRIPTION

FIG. 1 is a perspective view of the vice jaw adapter.
FIG. 2 is a front elevation view of the invention.
FIG. 3 is a rear elevation view of the invention.
FIG. 4 is a top plan view of the invention.
FIG. 5 is a bottom plan view of the invention.
FIG. 6 is a right side elevation view of the invention; and,
FIG. 7 is a left side elevation view of the invention.

1 Claim, 2 Drawing Sheets



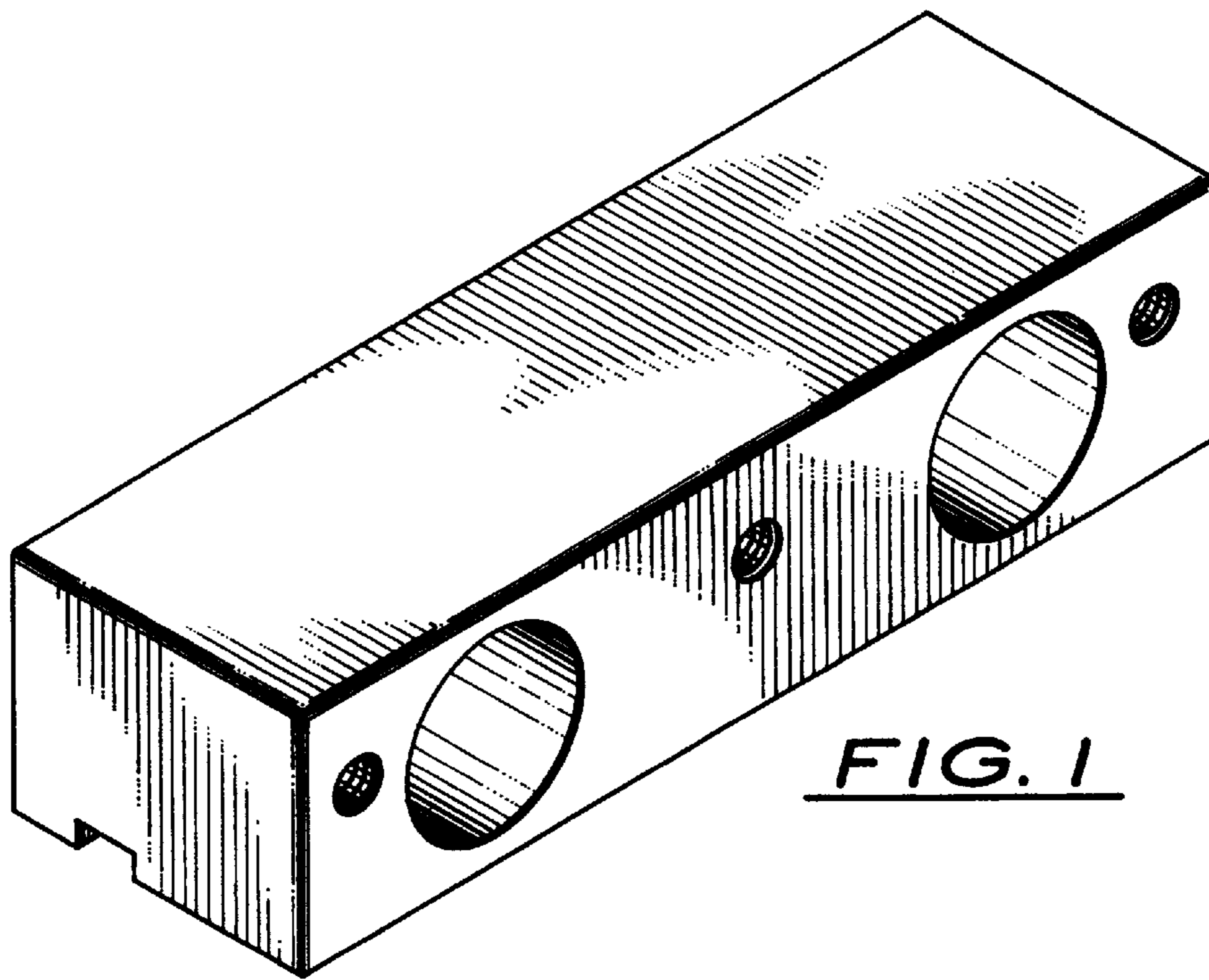


FIG. 1

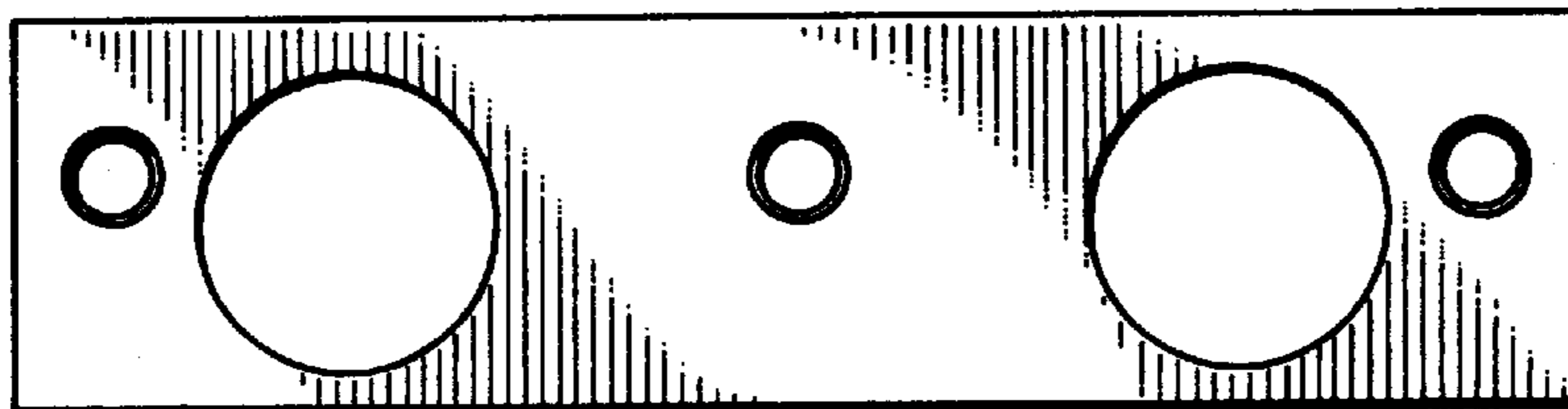


FIG. 2

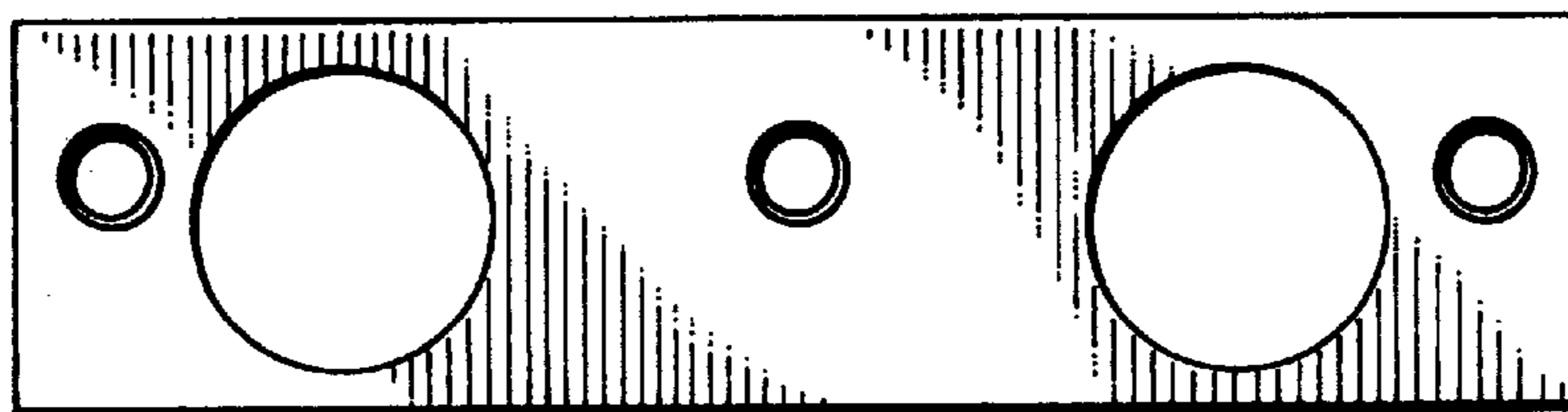


FIG. 3

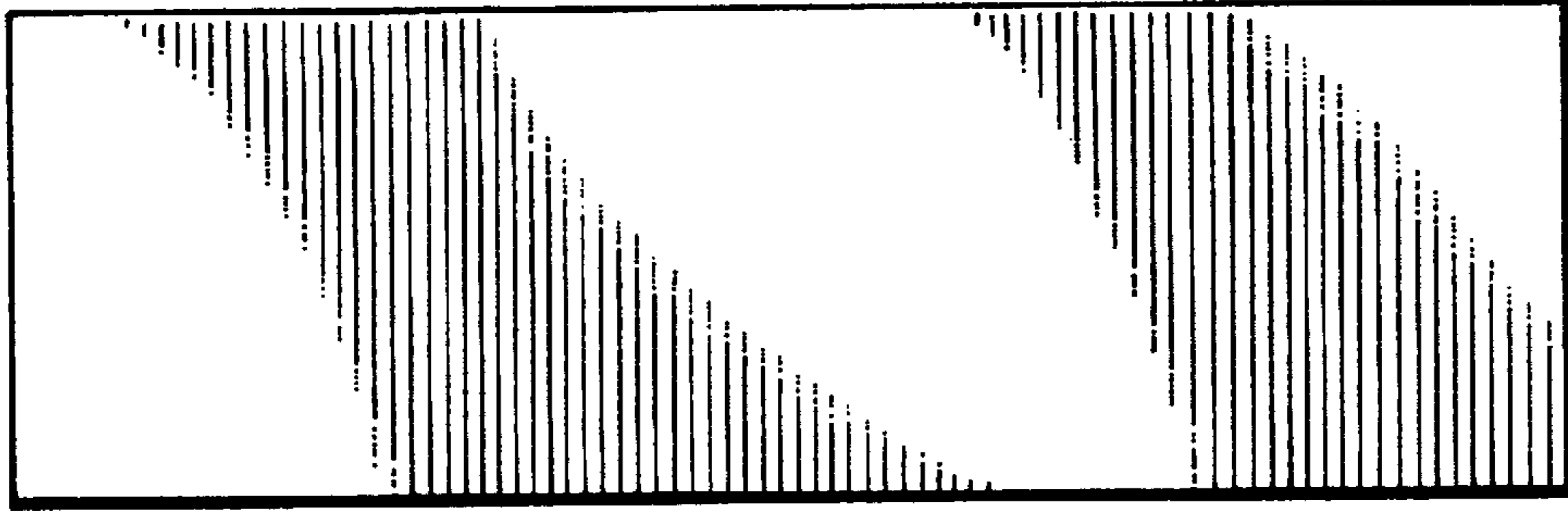


FIG. 4

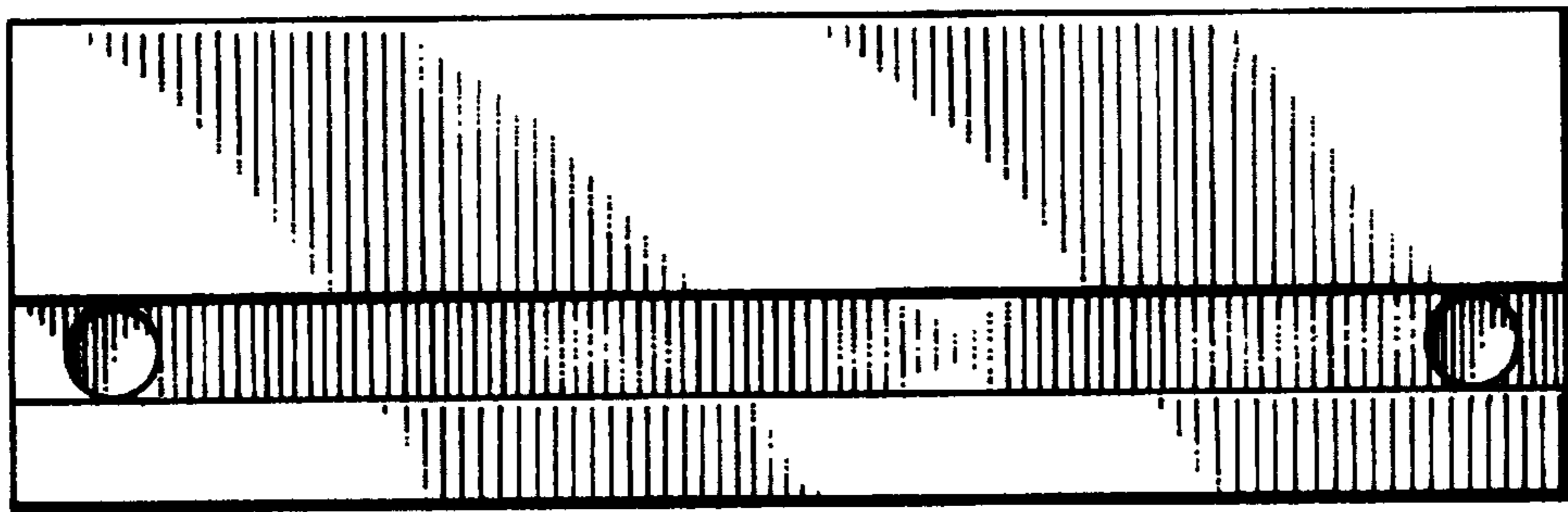


FIG. 5

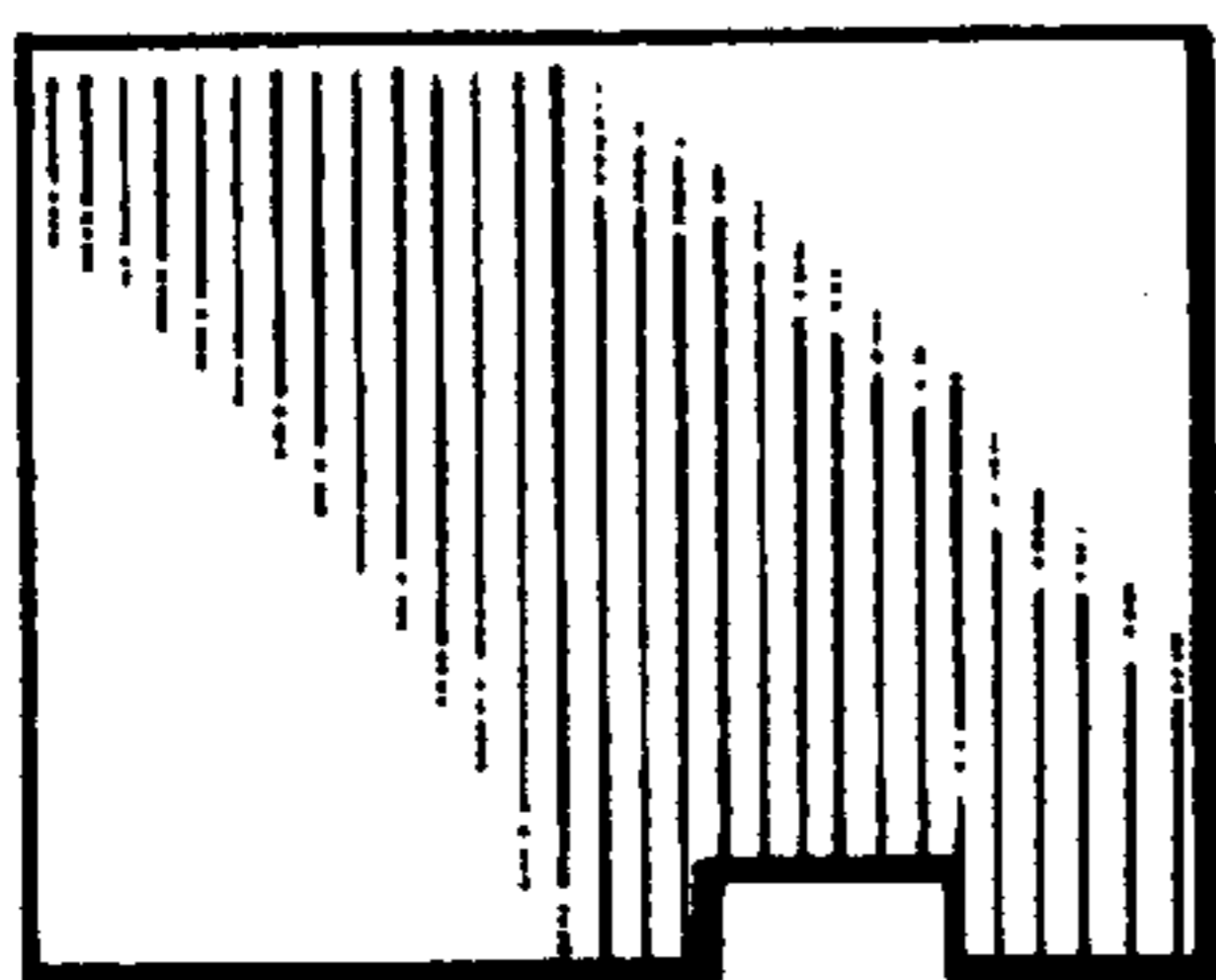


FIG. 6

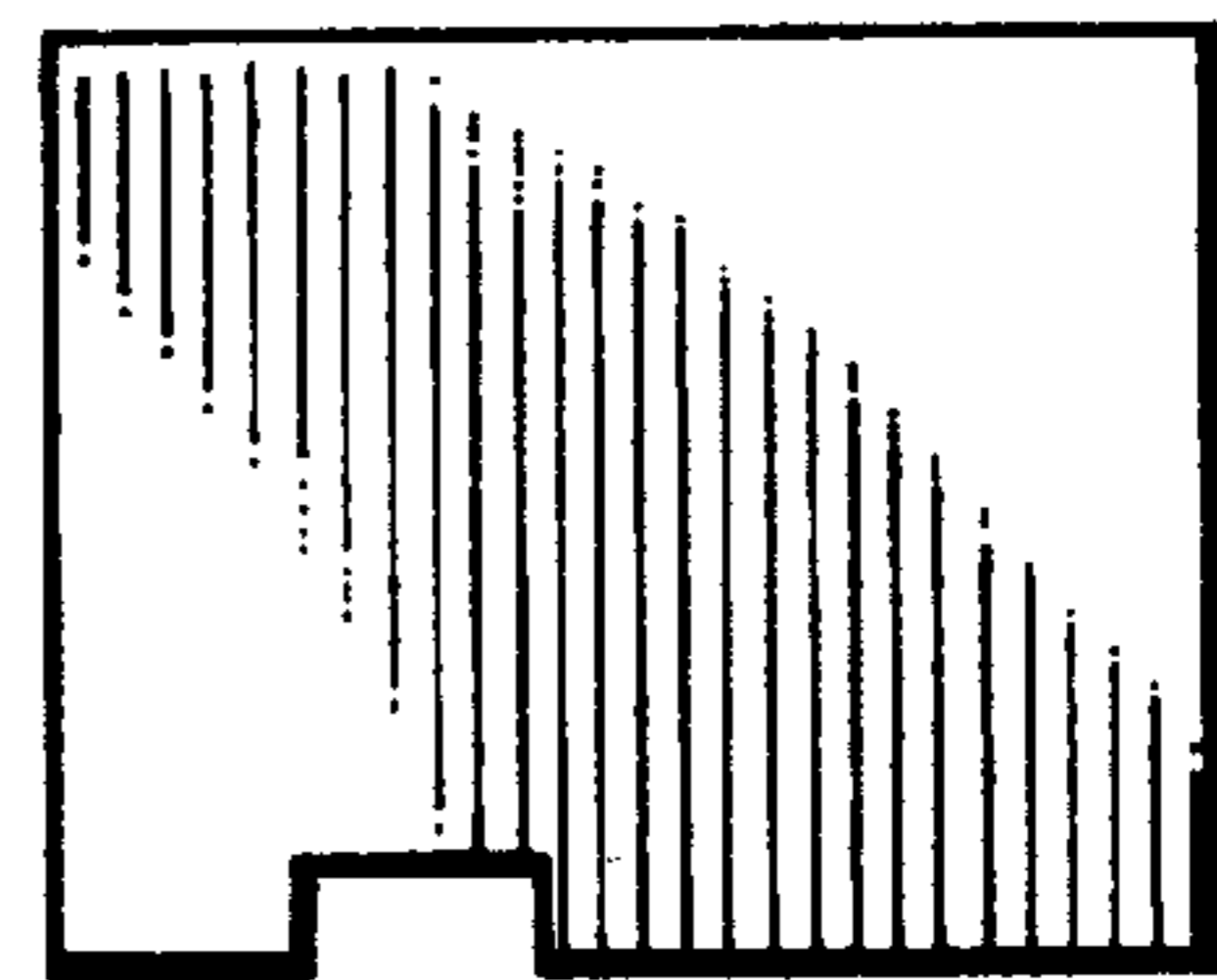


FIG. 7