



US00D432883S

# United States Patent [19] Wingert

[11] Patent Number: **Des. 432,883**

[45] Date of Patent: **\*\* Oct. 31, 2000**

[54] **NAIL GUN HOUSING**

[75] Inventor: **Rudolf Wingert**, West Milford, N.J.

[73] Assignee: **Arrow Fastener Company, Inc.**,  
Saddle Brook, N.J.

[\*\*] Term: **14 Years**

[21] Appl. No.: **29/109,183**

[22] Filed: **Aug. 12, 1999**

[51] **LOC (7) Cl.** ..... **08-05**

[52] **U.S. Cl.** ..... **D8/69; D8/68**

[58] **Field of Search** ..... **D8/61, 68, 69;**  
**227/2, 8, 111-115, 120, 123, 130**

[56] **References Cited**

**U.S. PATENT DOCUMENTS**

3,480,193	11/1969	Ralston	.....	227/123
4,699,307	10/1987	Kozyrski et al.	.....	227/123
5,765,742	6/1998	Marks	.....	227/123

*Primary Examiner*—Antoine Duval Davis  
*Attorney, Agent, or Firm*—Fitzpatrick, Cella, Harper & Scinto

[57] **CLAIM**

The ornamental design for a nail gun housing, as shown and described.

**DESCRIPTION**

FIG. 1 is a perspective view of the nail gun housing according to the invention;  
FIG. 2 is a left side view;  
FIG. 3 is a right side view;  
FIG. 4 is a front view;  
FIG. 5 is a rear view;  
FIG. 6 is a top view; and,  
FIG. 7 is a bottom view.

The nail magazine for the housing is shown in dotted lines for environmental orientation but forms no part of the design.

**1 Claim, 5 Drawing Sheets**

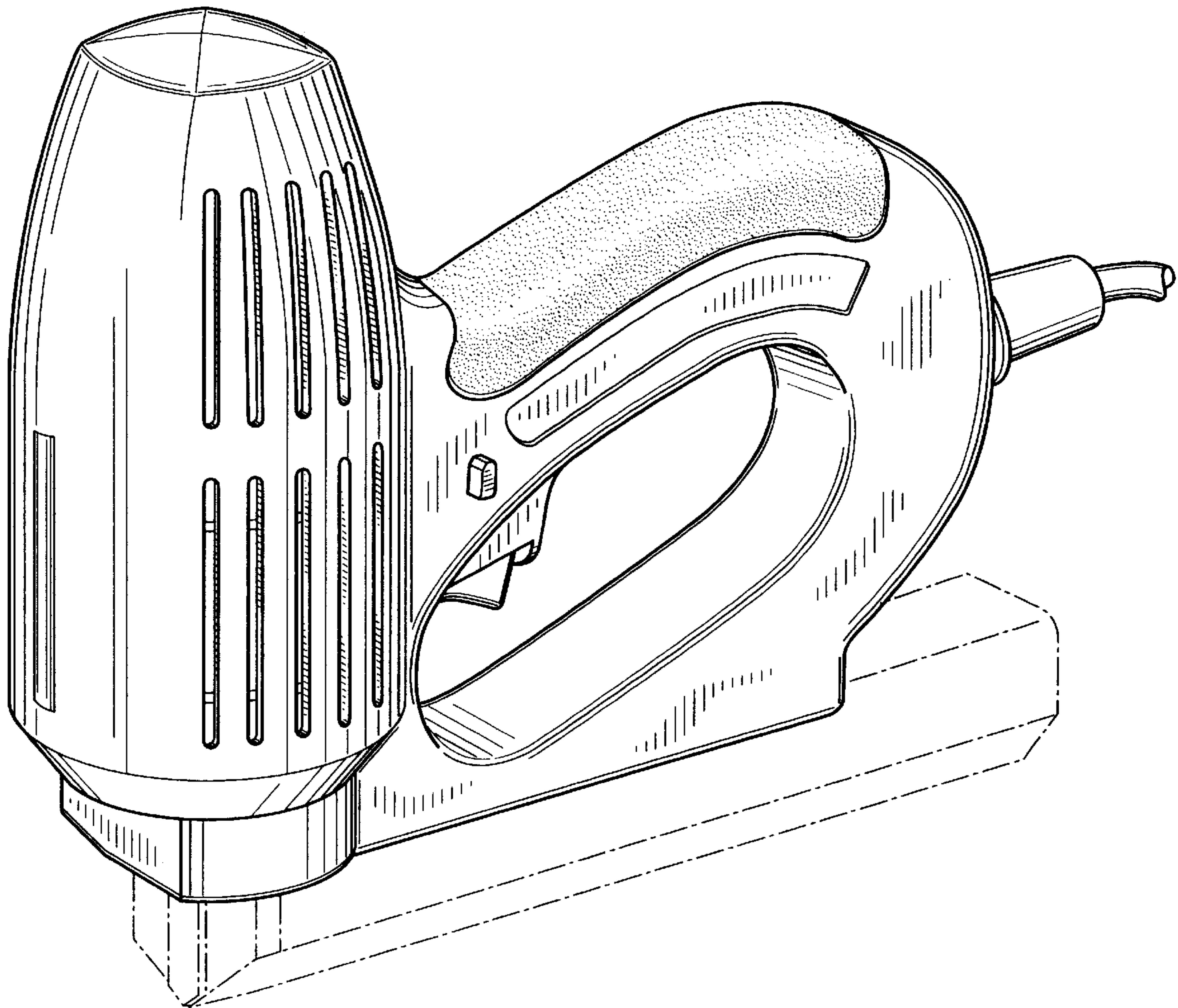


FIG. 1

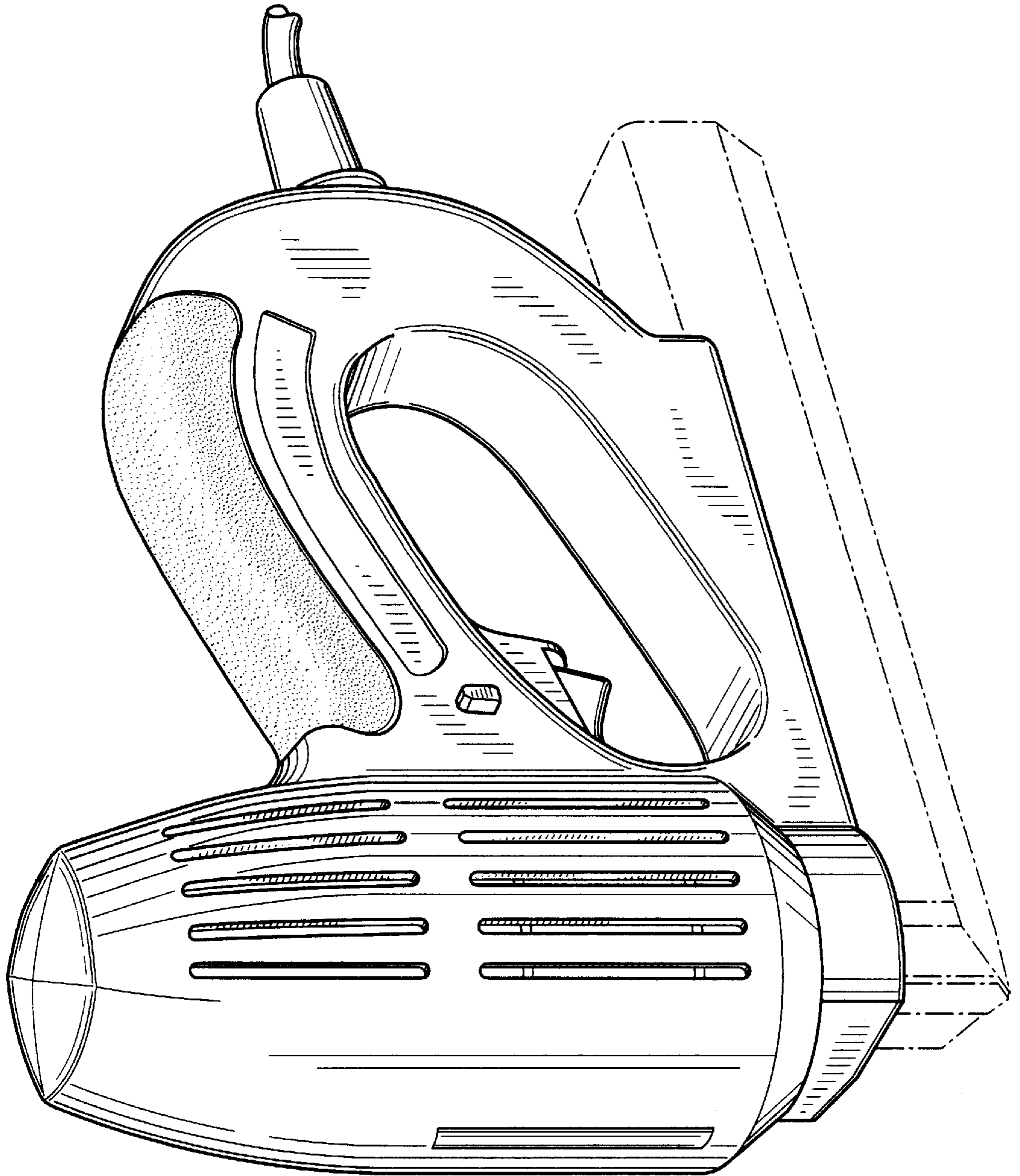
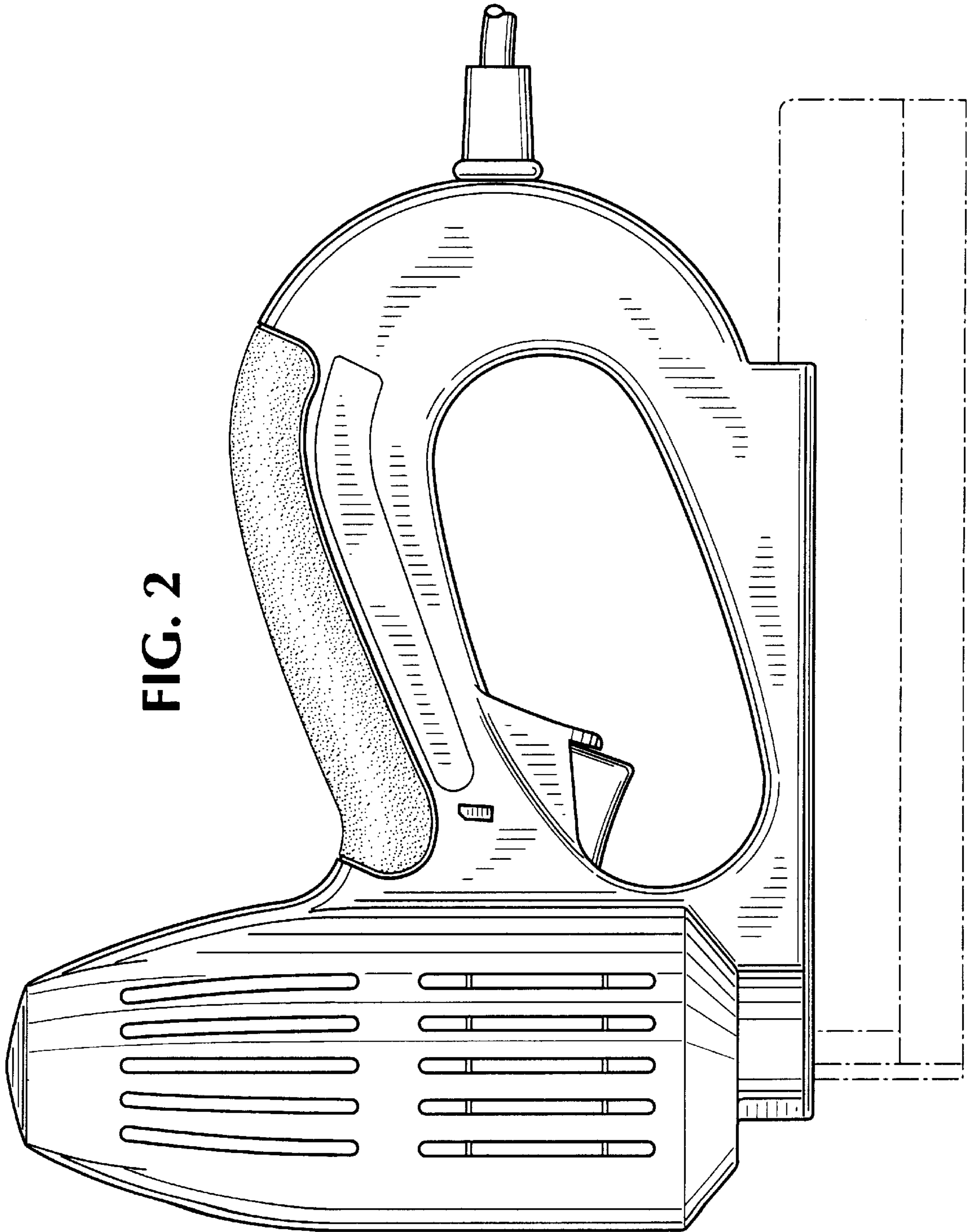


FIG. 2



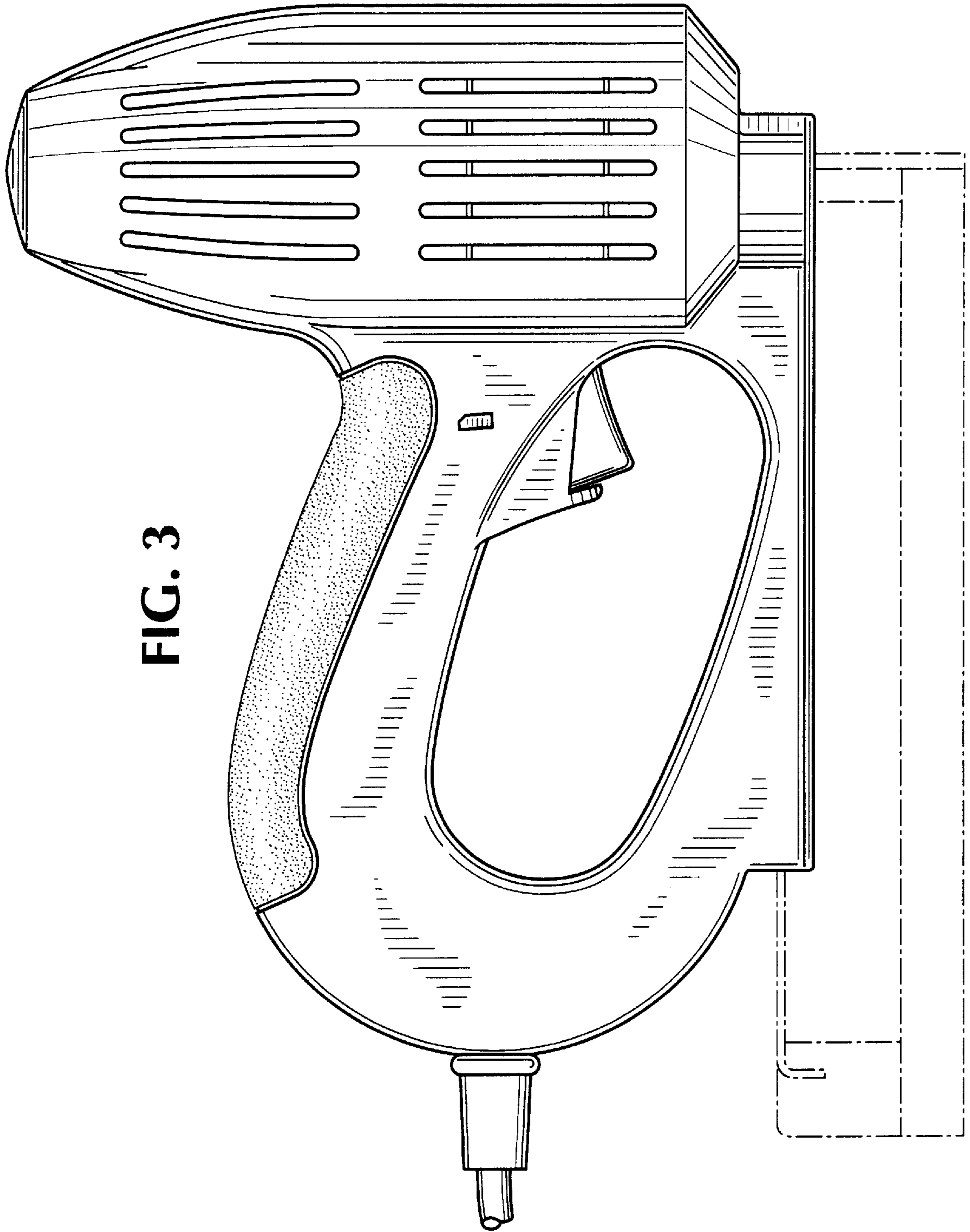


FIG. 3

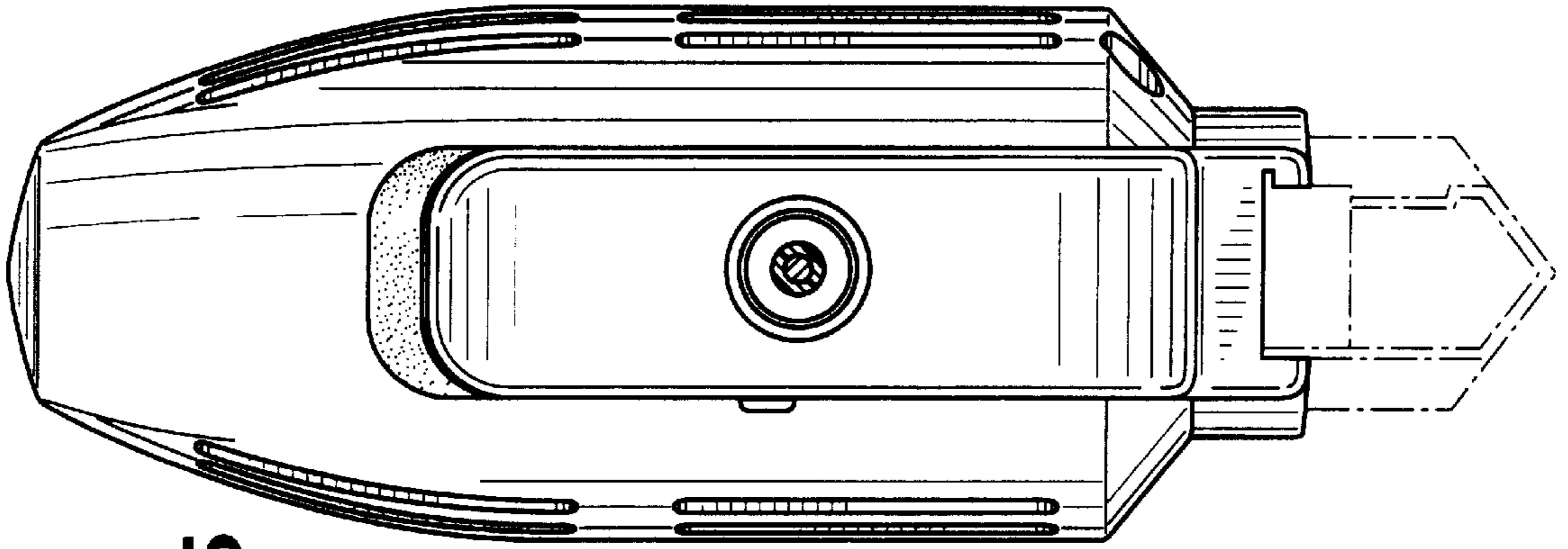


FIG. 5

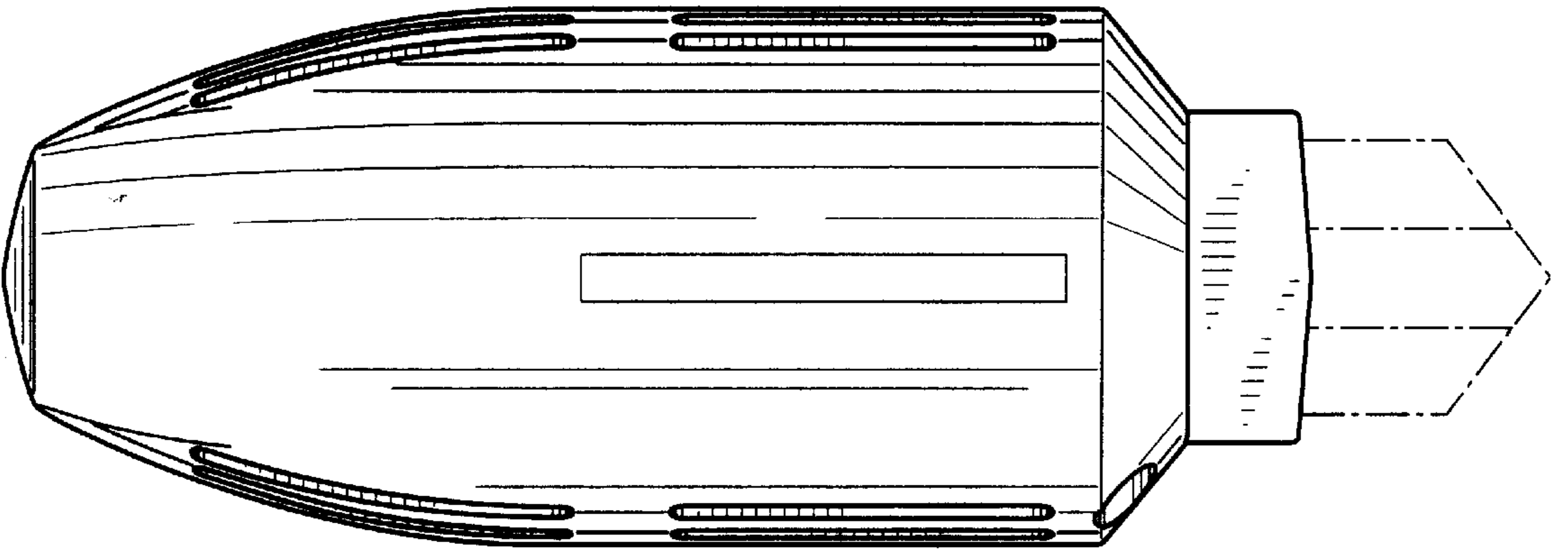


FIG. 4

FIG. 6

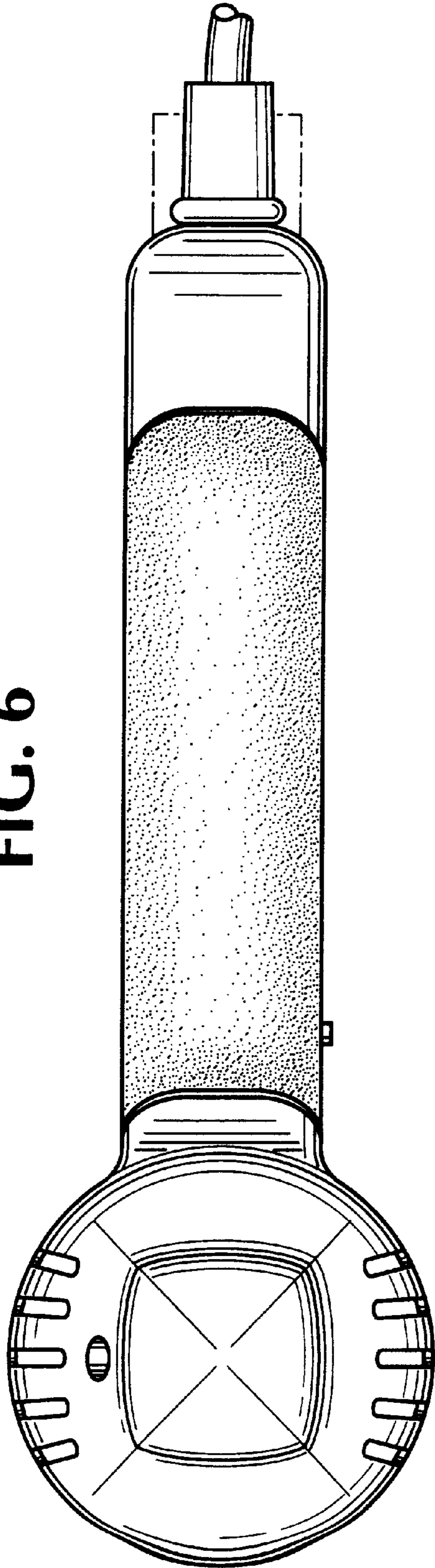


FIG. 7

