



US00D432882S

United States Patent [19]

Matsuoka et al.

[11] Patent Number: Des. 432,882

[45] Date of Patent: ** Oct. 31, 2000

[54] PNEUMATIC NAILING MACHINE

[75] Inventors: Takeshi Matsuoka; Yoshinori Ishizawa; Masanori Aoki; Hiroki Kitagawa, all of Ibaraki, Japan

[73] Assignee: Hitachi Koki Co., Ltd., Tokyo, Japan

[**] Term: 14 Years

[21] Appl. No.: 29/112,478

[22] Filed: Oct. 19, 1999

[30] Foreign Application Priority Data

Apr. 19, 1999 [JP] Japan 11-10249

[51] LOC (7) Cl. 08-05

[52] U.S. Cl. D8/68

[58] Field of Search D8/61, 68, 69; 227/2, 8, 111-115, 120, 123, 130

[56] References Cited

U.S. PATENT DOCUMENTS

D. 383,658 9/1997 Kaiser D8/68 X
6,032,848 3/2000 Smolinski 227/123

OTHER PUBLICATIONS

Hitachi Air Tools catalog, issued Dec. 1997, p. 6.

Primary Examiner—Antoine Duval Davis
Attorney, Agent, or Firm—Sughrue, Mion, Zinn, Macpeak & Seas, PLLC

[57] CLAIM

The ornamental design for a pneumatic nailing machine, as shown and described.

DESCRIPTION

FIG. 1 is a perspective view of the top, front and one side of a pneumatic nailing machine showing our new design; FIG. 2 is a side elevational view of said one side thereof; FIG. 3 is a top plan view thereof; FIG. 4 is a bottom plan view thereof; FIG. 5 is a front elevational view thereof; FIG. 6 is a rear elevational view thereof; and, FIG. 7 is a side elevation view of the opposite side thereof. The detachable nail cartridge assembly shown in broken lines does not constitute a portion of the claimed invention.

1 Claim, 5 Drawing Sheets

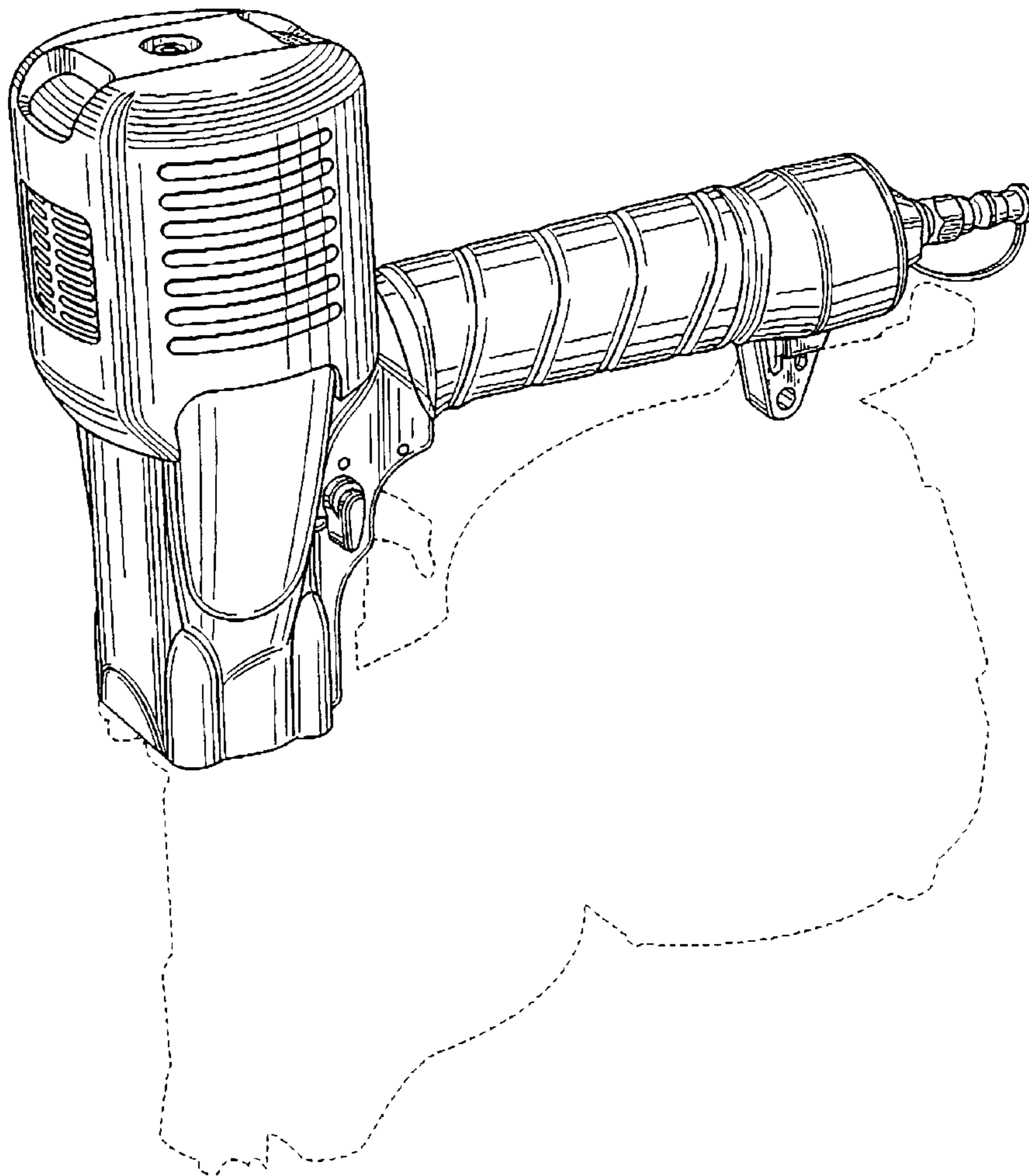


FIG. 1

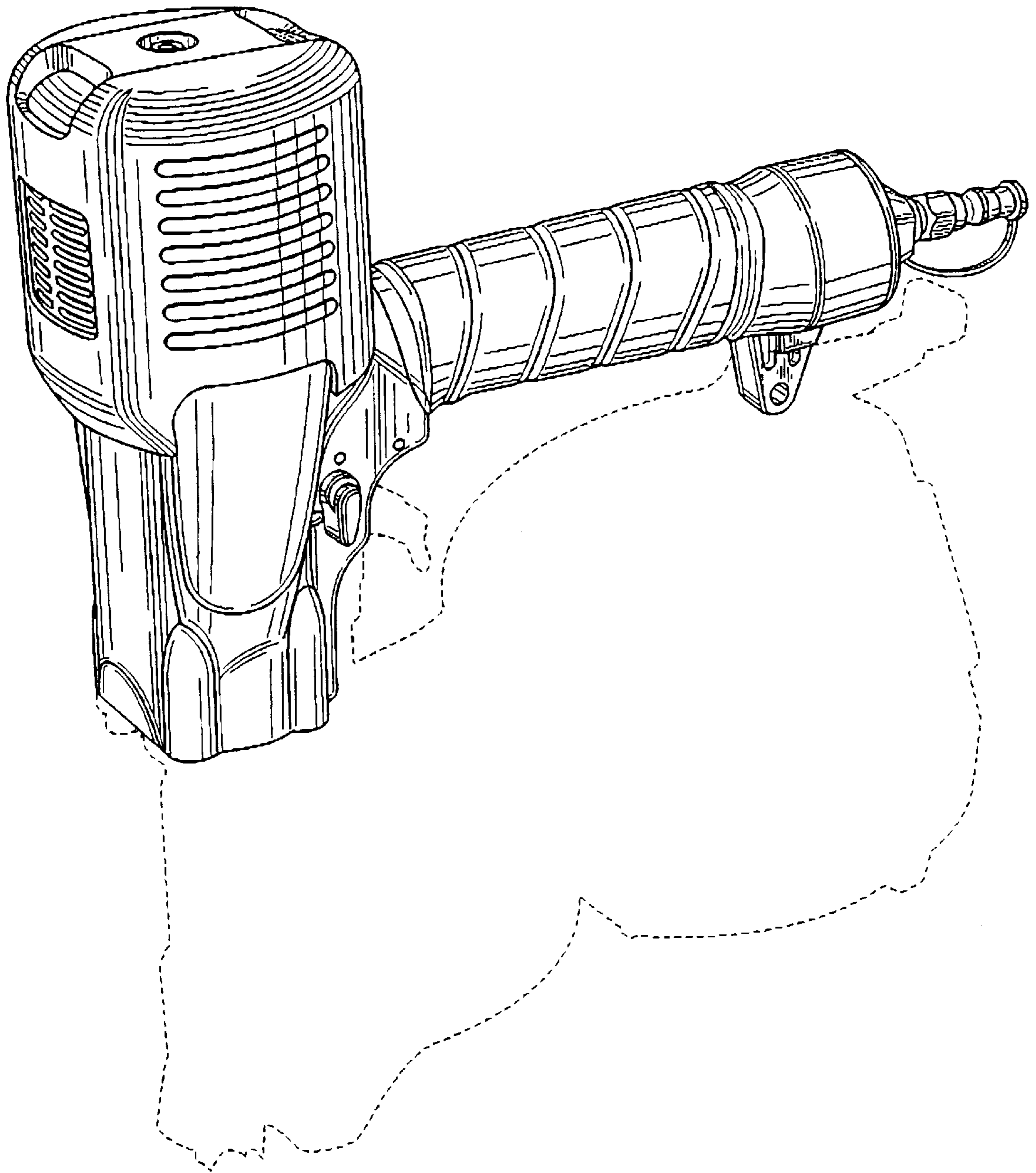


FIG. 2

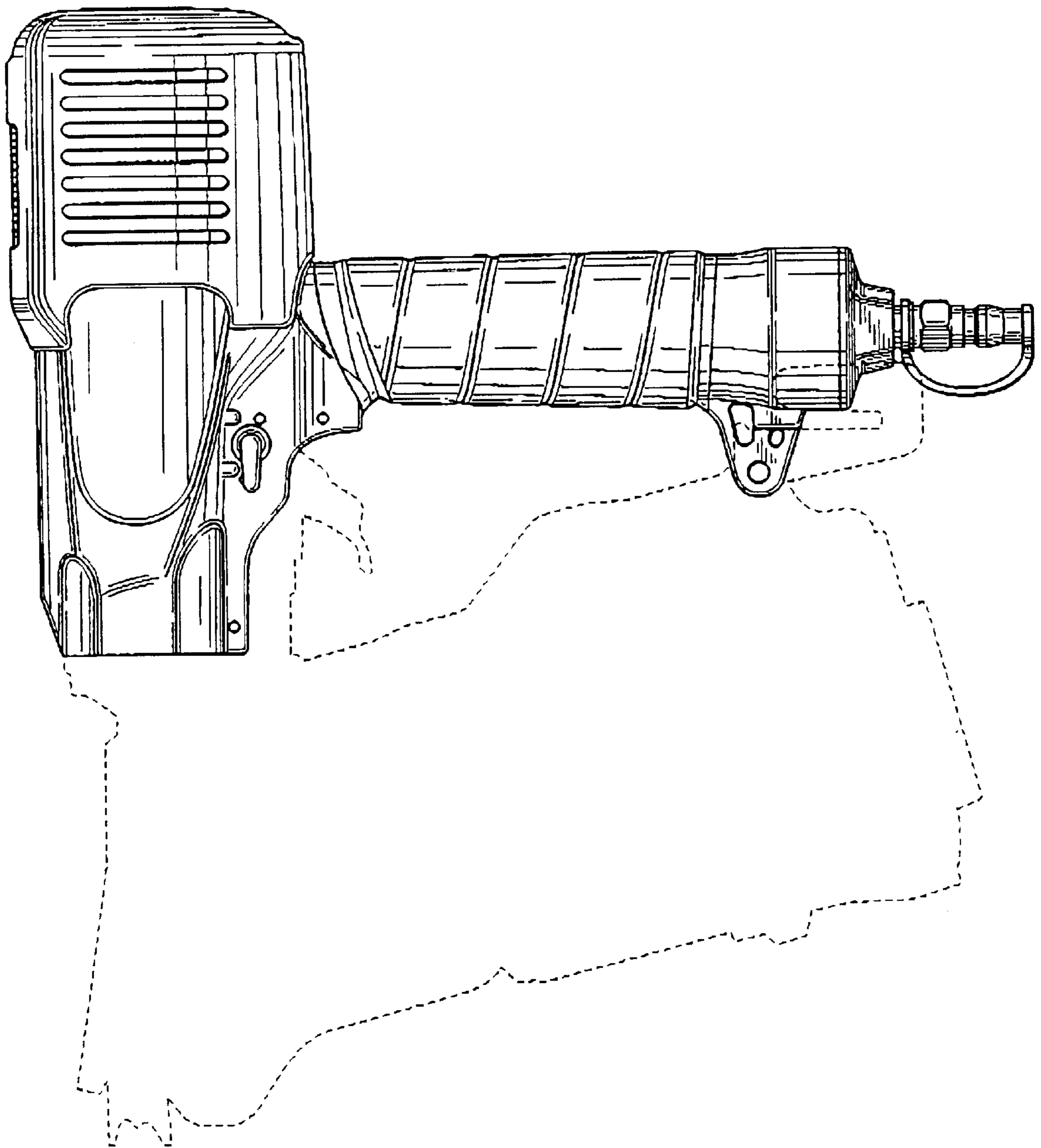


FIG. 3

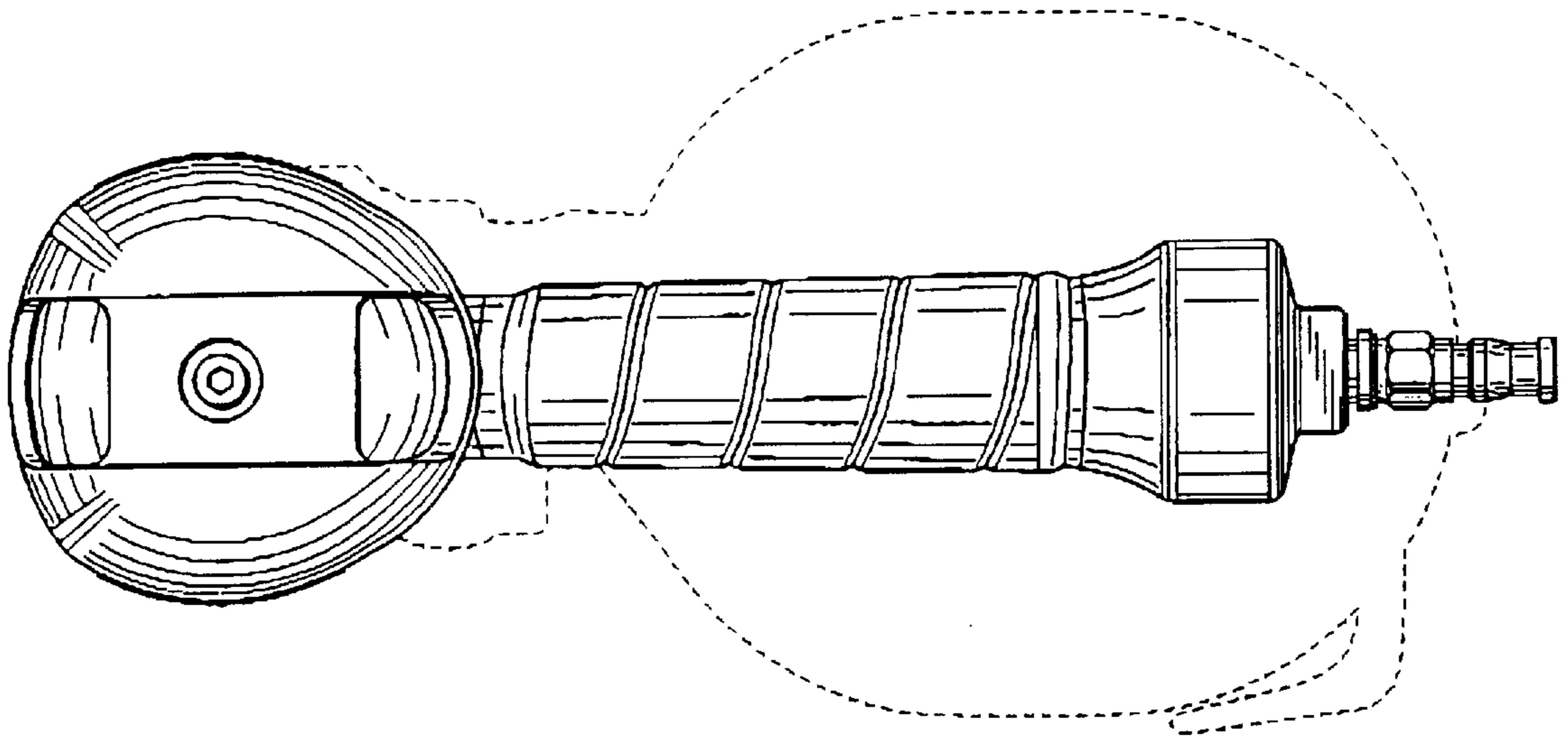


FIG. 4

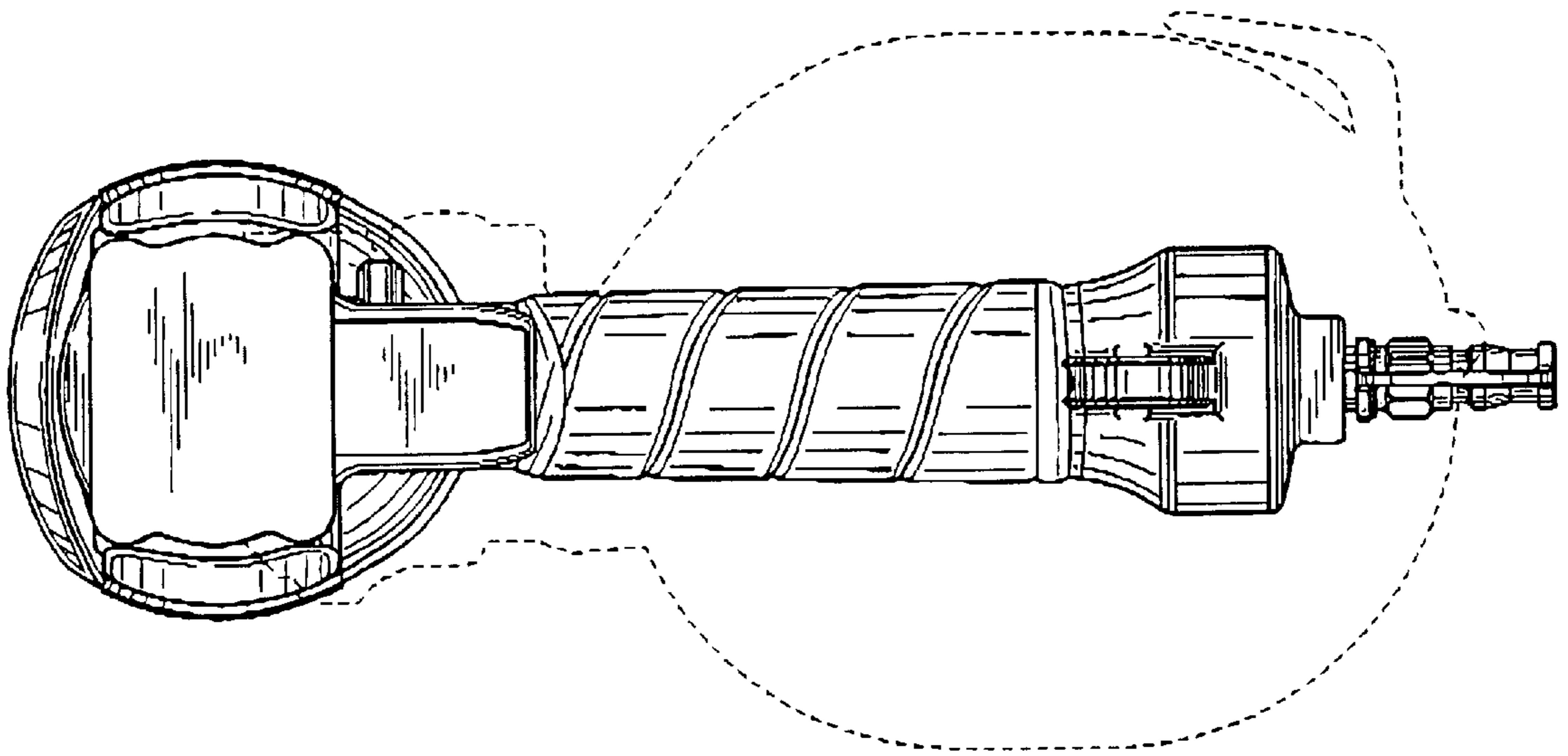


FIG. 5

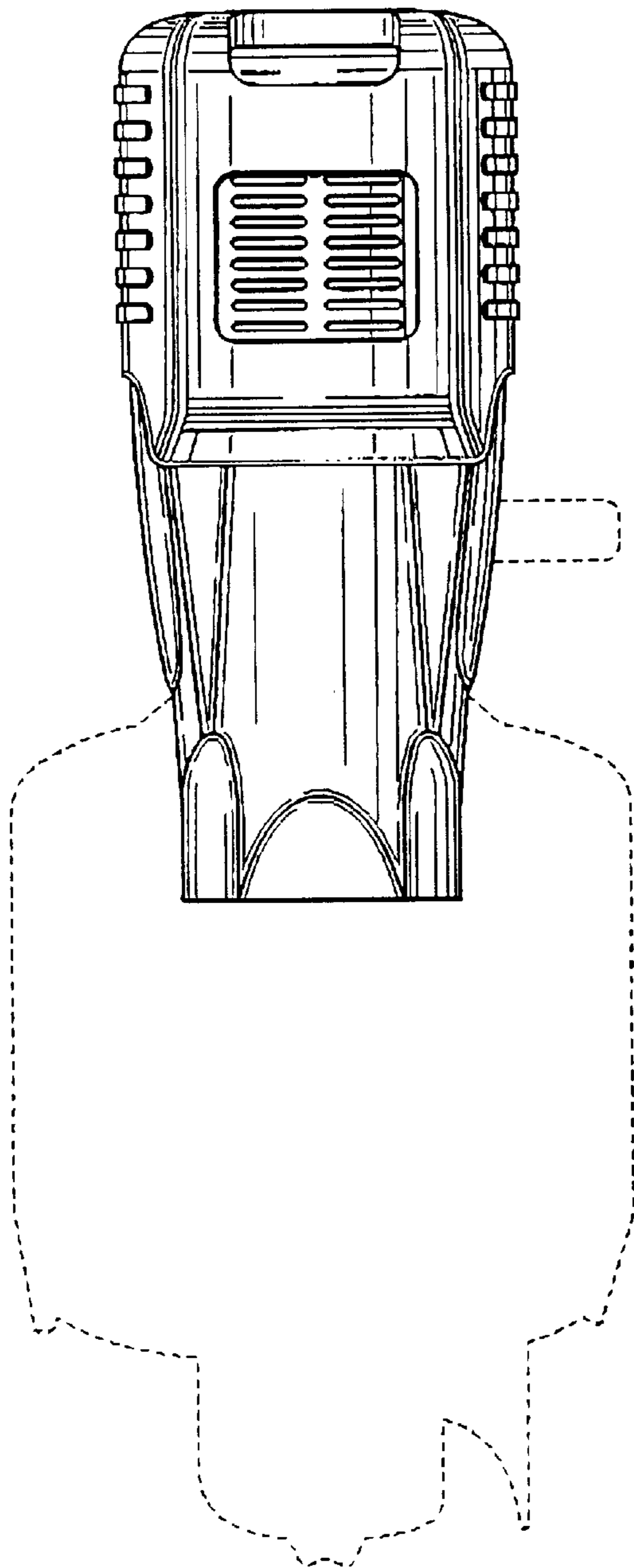


FIG. 6

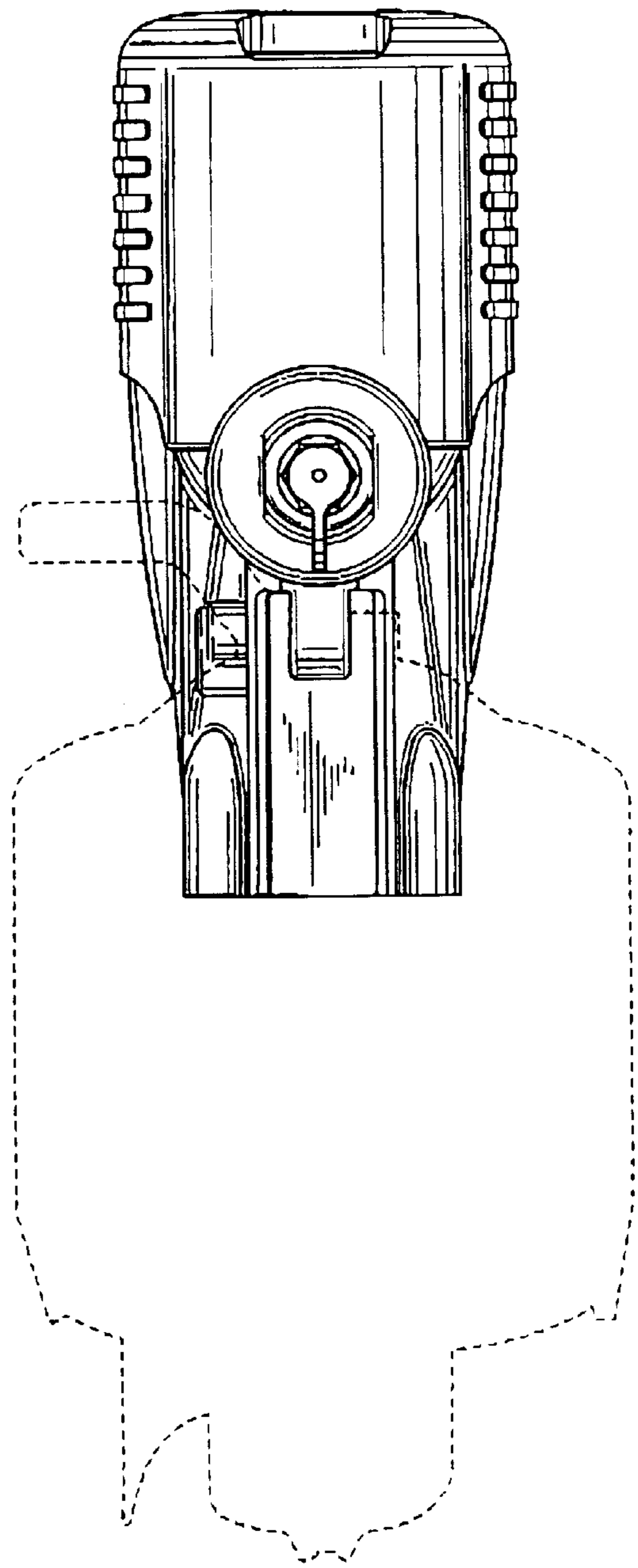


FIG. 7

