



US00D432880S

United States Patent [19]

[11] Patent Number: Des. 432,880

Rice et al.

[45] Date of Patent: ** Oct. 31, 2000

[54] **TOOL HEAD**

Primary Examiner—Richelle Shelton
Attorney, Agent, or Firm—Allan M. Shapiro

[76] Inventors: **Sherwin K. Rice**, 5929 Laurel Canyon Blvd., #11, North Hollywood, Calif. 91607; **Albert P. McKay**, 5106 Bascule Ave., Woodland Hills, Calif. 91364

[57] **CLAIM**

The ornamental design for a tool head, as shown and described.

[**] Term: **14 Years**

DESCRIPTION

[21] Appl. No.: **29/101,460**

FIG. 1 is an isometric view from the top, front and right side of a tool head, showing our new design;

[22] Filed: **Mar. 2, 1999**

FIG. 2 is an isometric view from the bottom, rear and left side thereof;

[51] **LOC (7) Cl.** **08-05**

FIG. 3 is a front elevational view thereof, the rear elevational view being identical;

[52] **U.S. Cl.** **D8/29**

[58] **Field of Search** D8/21-29, 70; D17/22; 81/124.2, 119, 121.1, 124.6, 186

FIG. 4 is a right side elevational view thereof, the left side elevational view being identical;

[56] **References Cited**

FIG. 5 is a top plan view thereof;

U.S. PATENT DOCUMENTS

FIG. 6 is a sectional view taken in the direction of the arrows along line 6—6 in FIG. 3; and,

D. 319,764	9/1991	McCord	D8/70
D. 366,996	2/1996	Torres	D8/29
1,181,565	5/1916	Block	81/124.2
5,746,416	5/1998	Paylor	81/124.2 X

FIG. 7 is a sectional view taken in the direction of the arrows along line 7—7 in FIG. 4.

1 Claim, 1 Drawing Sheet

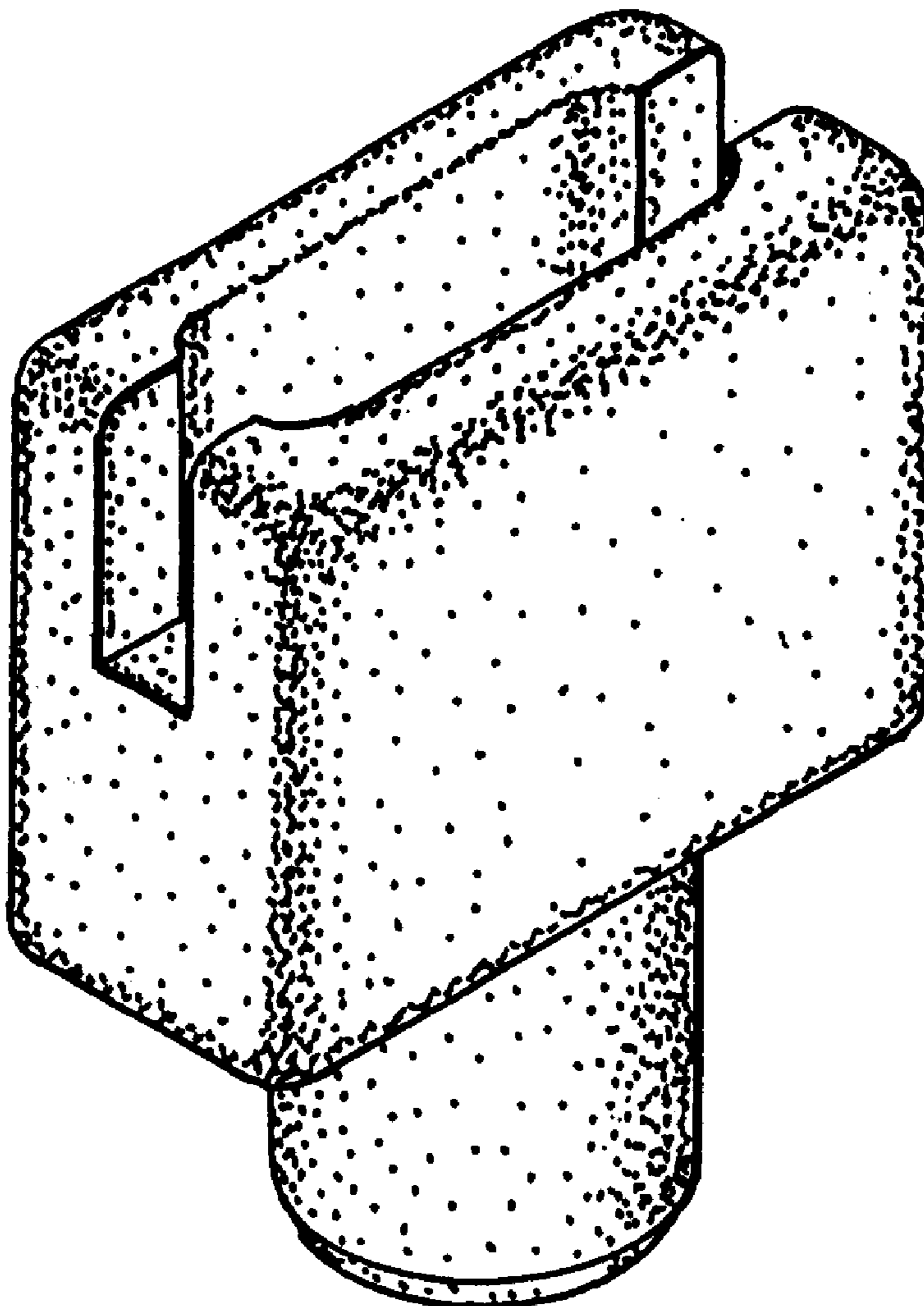


FIG. 1

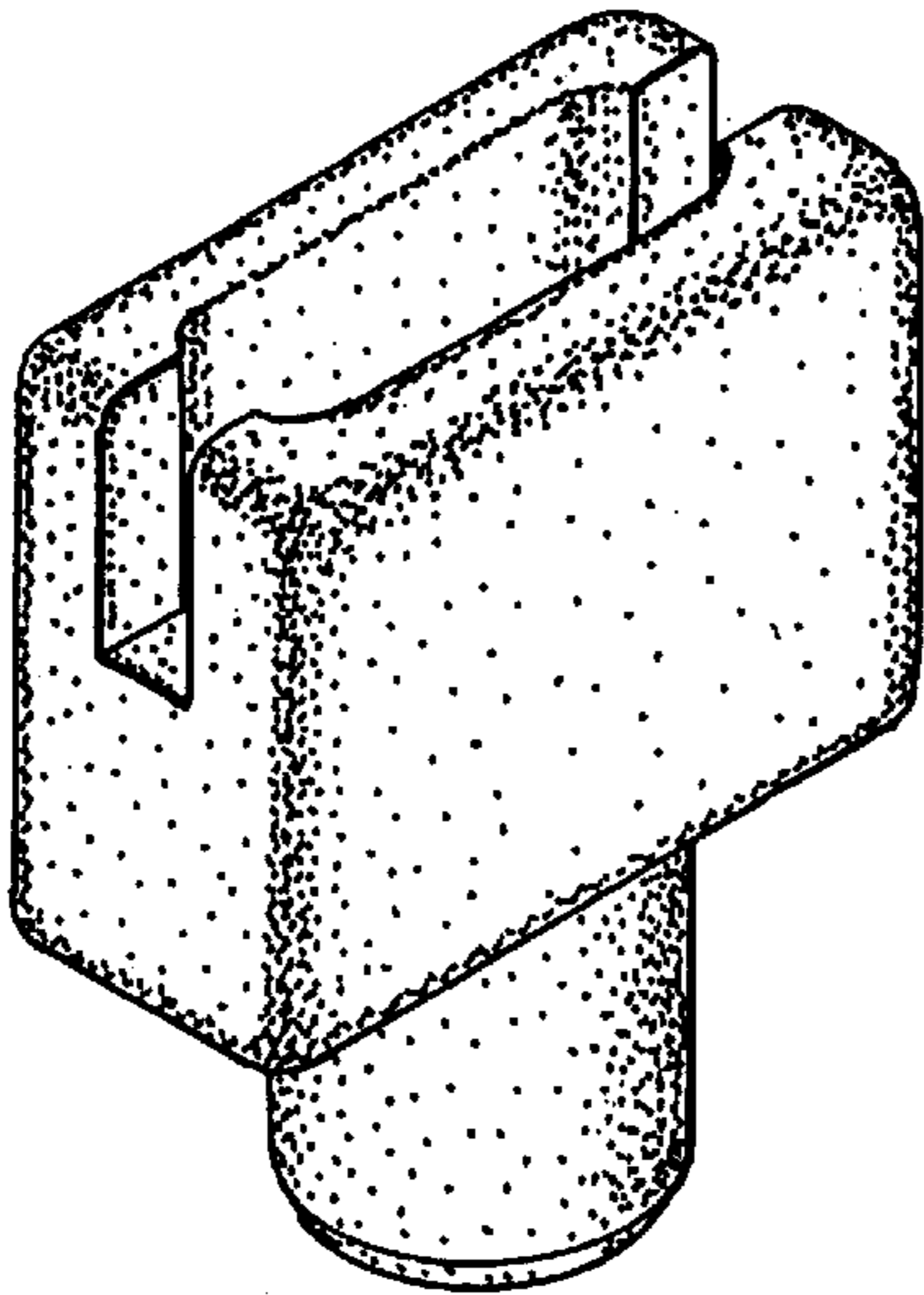


FIG. 2

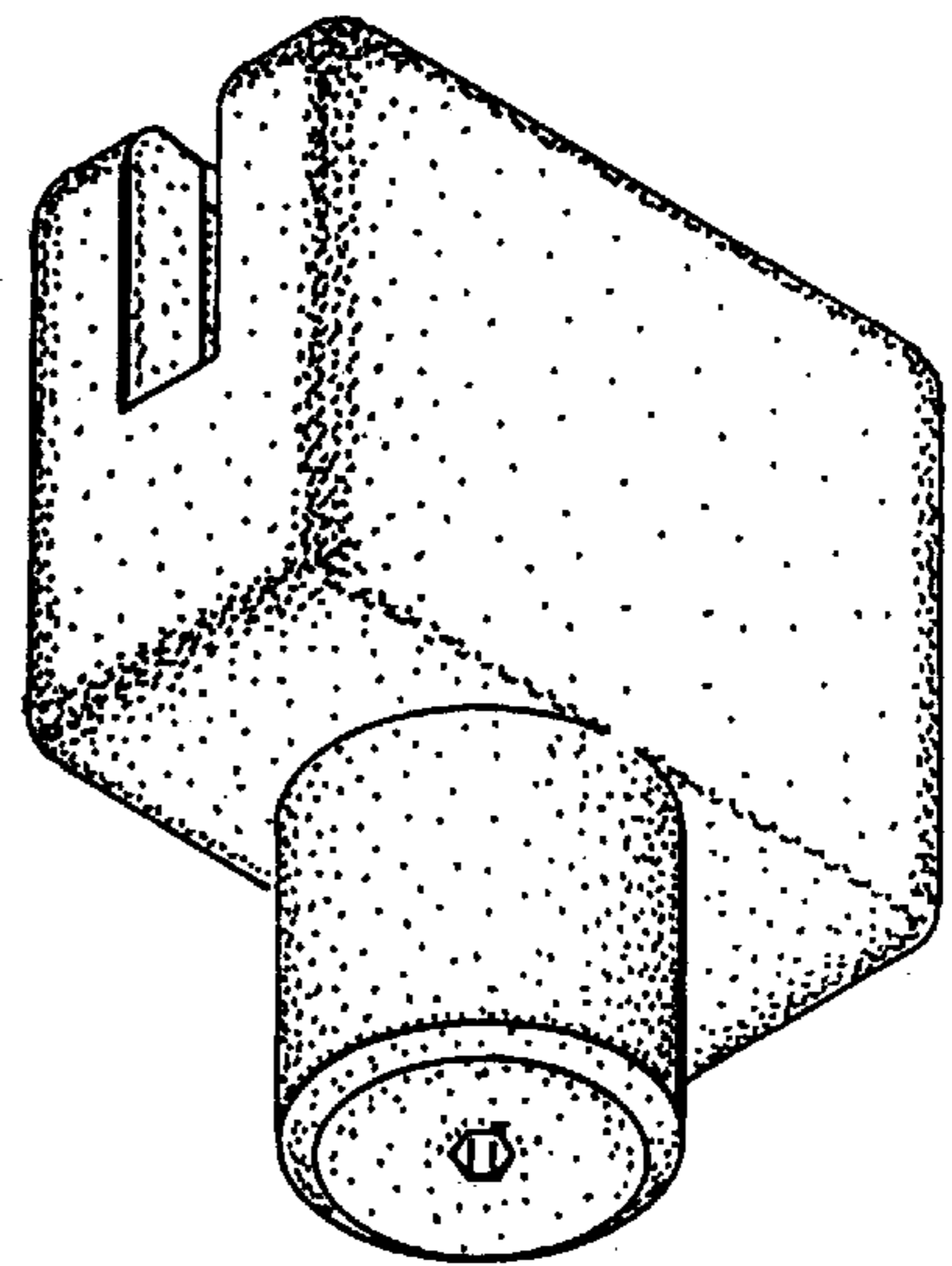
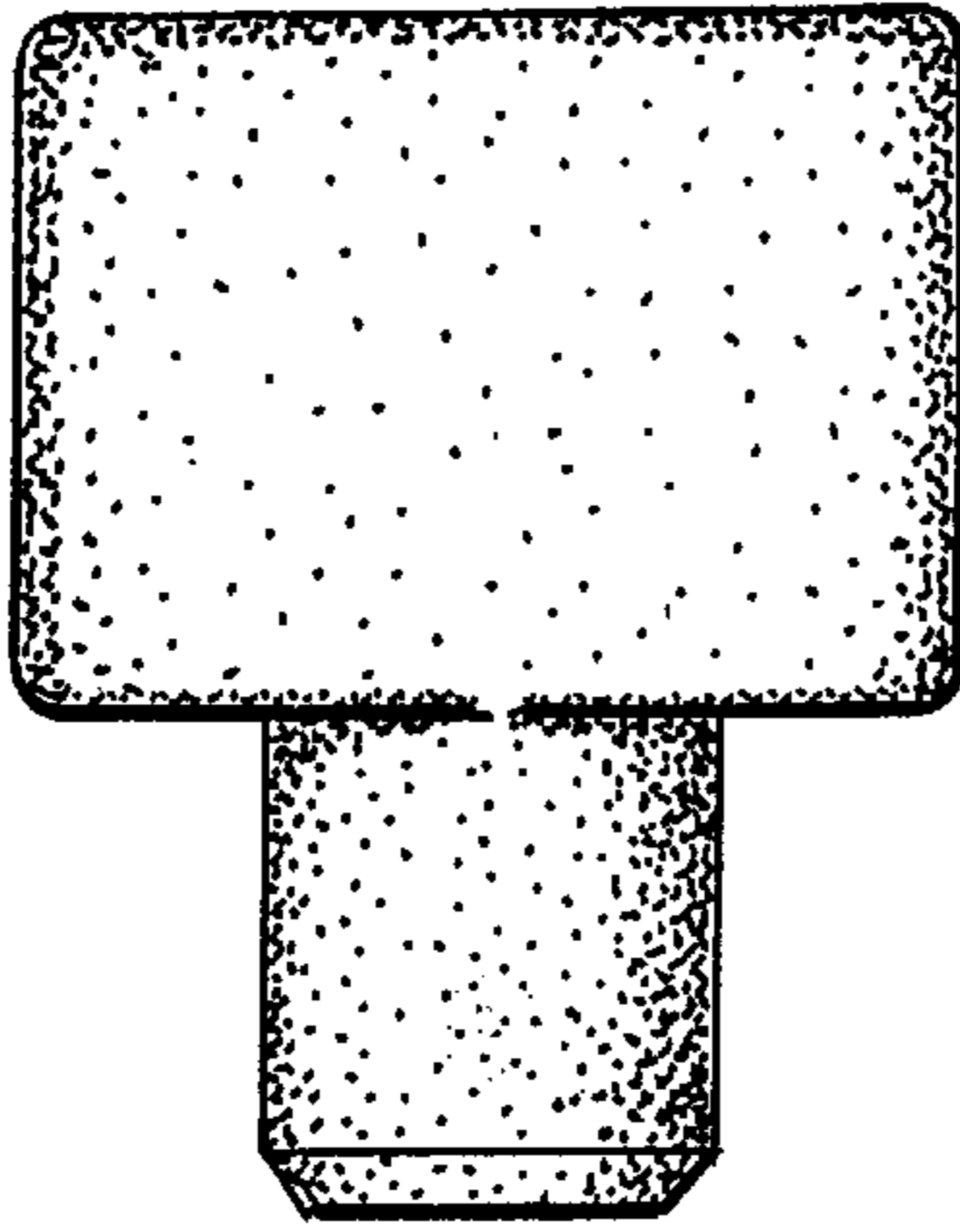
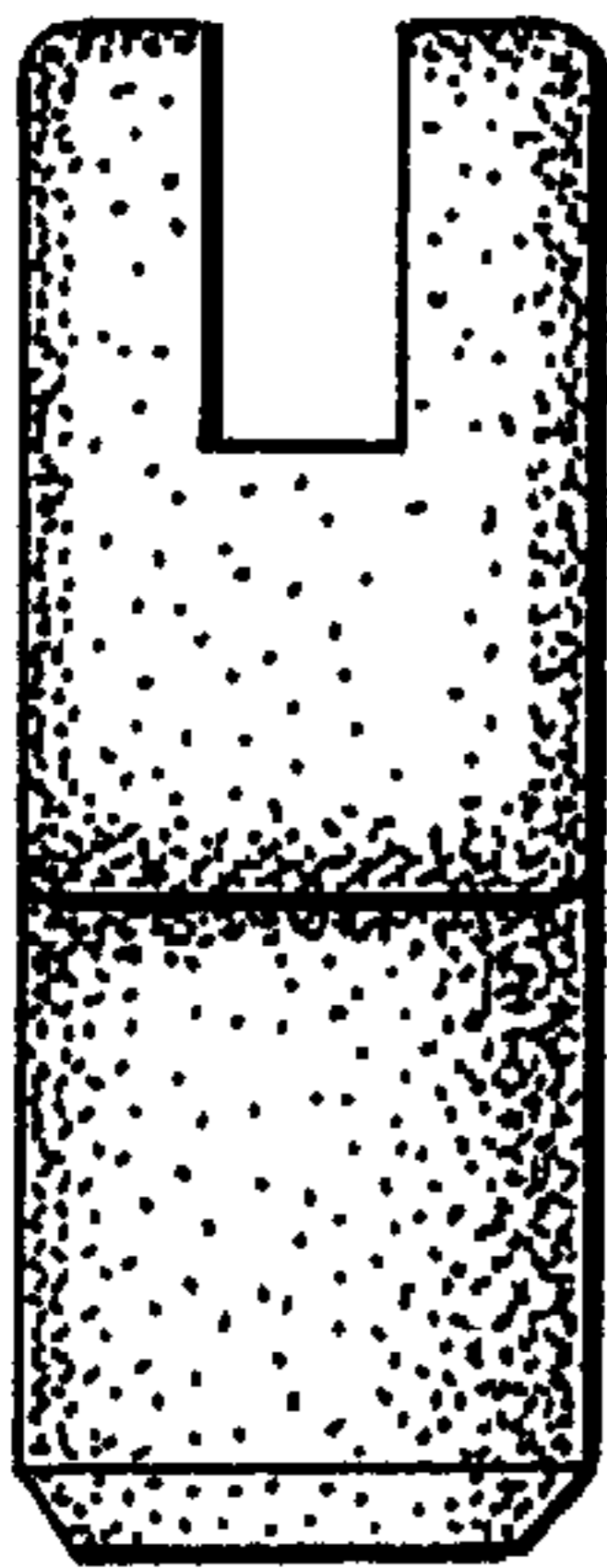


FIG. 3

FIG. 4

← 6

7 →



← 6

7 →

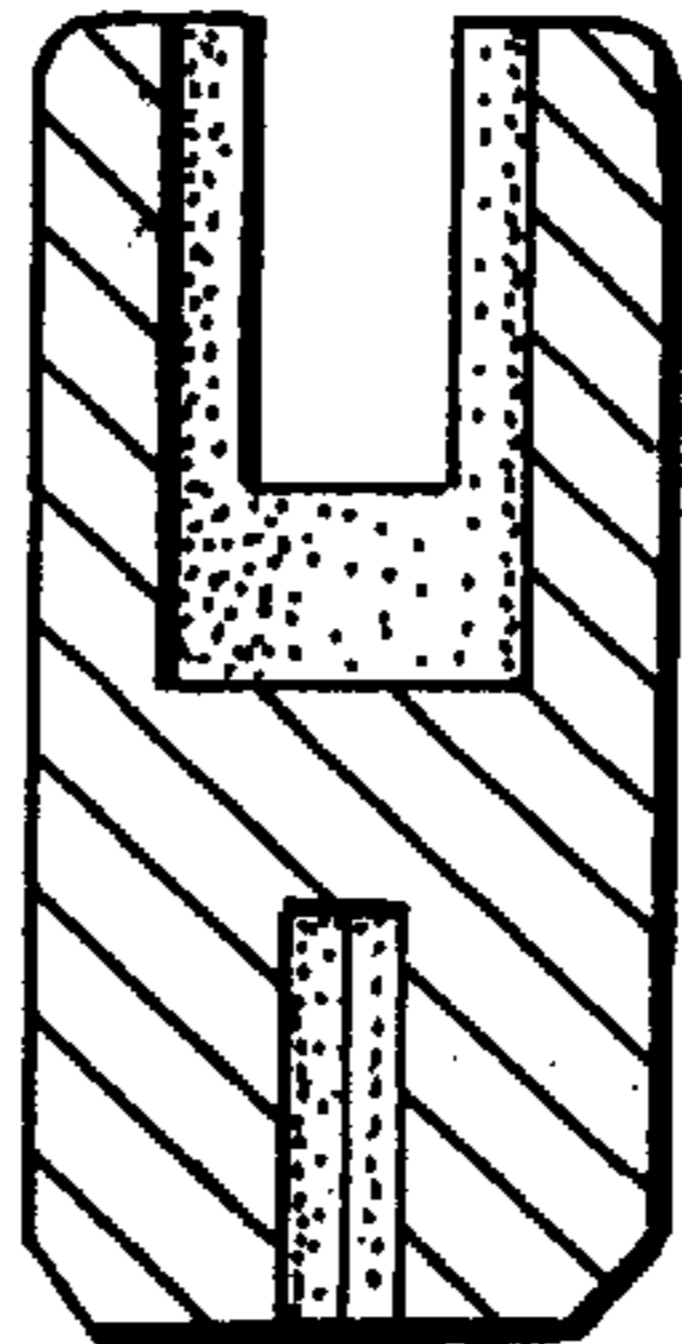
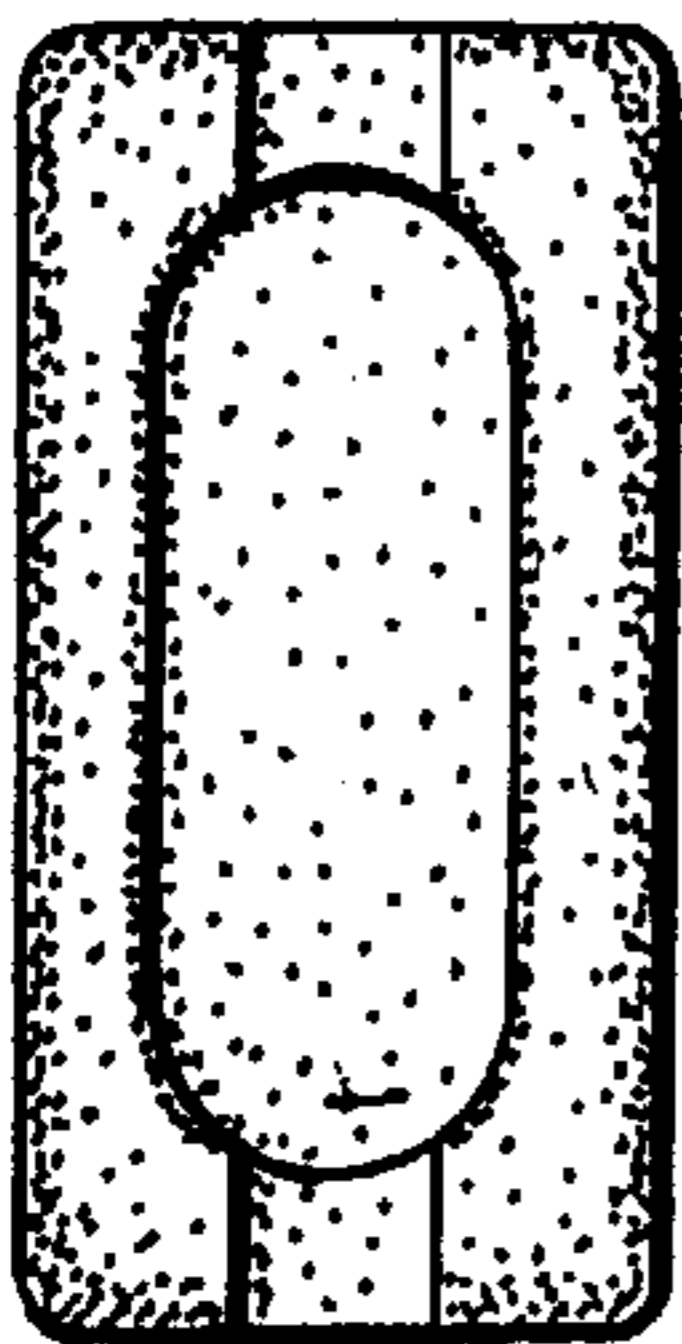


FIG. 5

FIG. 7

FIG. 6

