



US00D432874S

**United States Patent** [19]  
**Kari**

[11] **Patent Number: Des. 432,874**

[45] **Date of Patent: \*\* Oct. 31, 2000**

[54] **APPLE WEDGER**

[75] Inventor: **Kathy Kari**, Lisle, Ill.

[73] Assignee: **The Pampered Chef, Ltd.**, Addison, Ill.

[\*\*] Term: **14 Years**

[21] Appl. No.: **29/092,897**

[22] Filed: **Aug. 28, 1998**

[51] **LOC (7) Cl.** ..... **07-04**

[52] **U.S. Cl.** ..... **D7/673**

[58] **Field of Search** ..... D7/673, 693, 695;  
30/114, 117, 302, 303, 312

[56] **References Cited**

**U.S. PATENT DOCUMENTS**

D. 114,372	4/1939	Zimmerly	.....	D7/673
D. 114,471	4/1939	Rosenberg	.....	D7/673
D. 154,071	6/1949	Smith	.....	D7/673
1,466,114	8/1923	Buchi	.....	30/302
1,581,310	4/1926	Fetschan	.....	30/303

**OTHER PUBLICATIONS**

NORPRO, 1992 Catalog, p. 6, Apple and Fruit Wedgers.  
Harold Import Co., Inc., 1992 Catalog, p. 98, Apple Corer.  
Rowoco, 1991 Catalog, p. 60, Apple Core'n Section.

Farberware, 1992-93 Price List, p. 18, Fruit Slicer.

Better Houseware Corp., Jan. 1992 Price List, p. 16, Apple Divider/Corer.

The Pampered Chef, catalog p. 16, Apple Wedger, no date.

*Primary Examiner*—Terry A. Wallace  
*Attorney, Agent, or Firm*—Olson & Hierl, Ltd.

[57] **CLAIM**

The ornamental design for an apple wedger, as shown and described.

**DESCRIPTION**

FIG. 1 is a top perspective view of an apple wedger showing my new design;

FIG. 2 is a top plan view thereof;

FIG. 3 is a bottom plan view thereof;

FIG. 4 is a side elevational view, the opposite side elevational view being a mirror image thereof;

FIG. 5 is a front elevational view, the rear elevational view being a mirror image thereof; and,

FIG. 6 is bottom perspective view thereof.

**1 Claim, 2 Drawing Sheets**

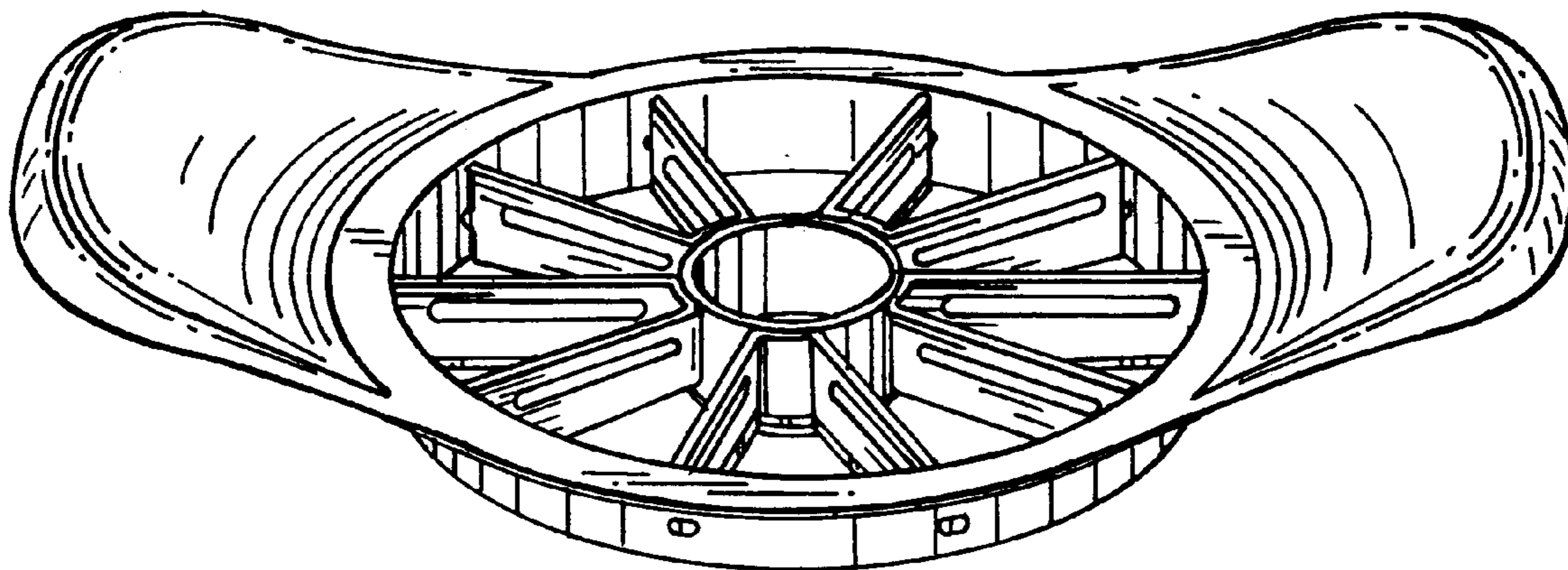


FIG. 1

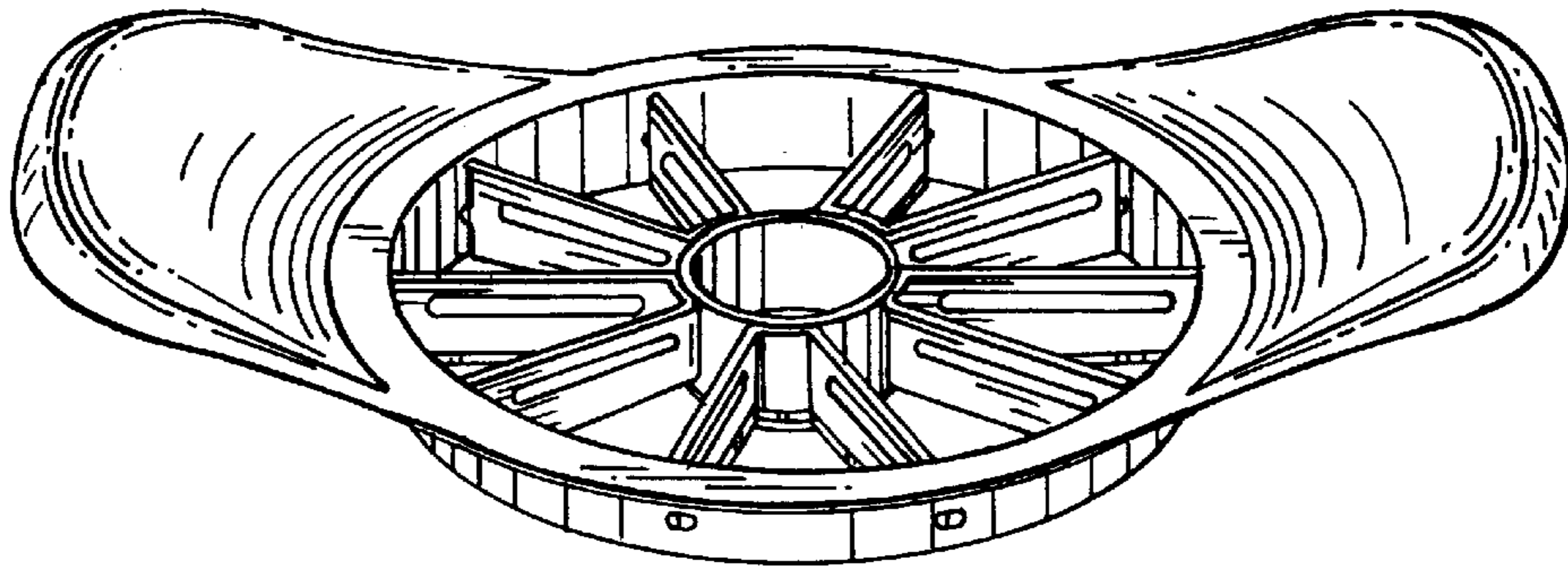


FIG. 2

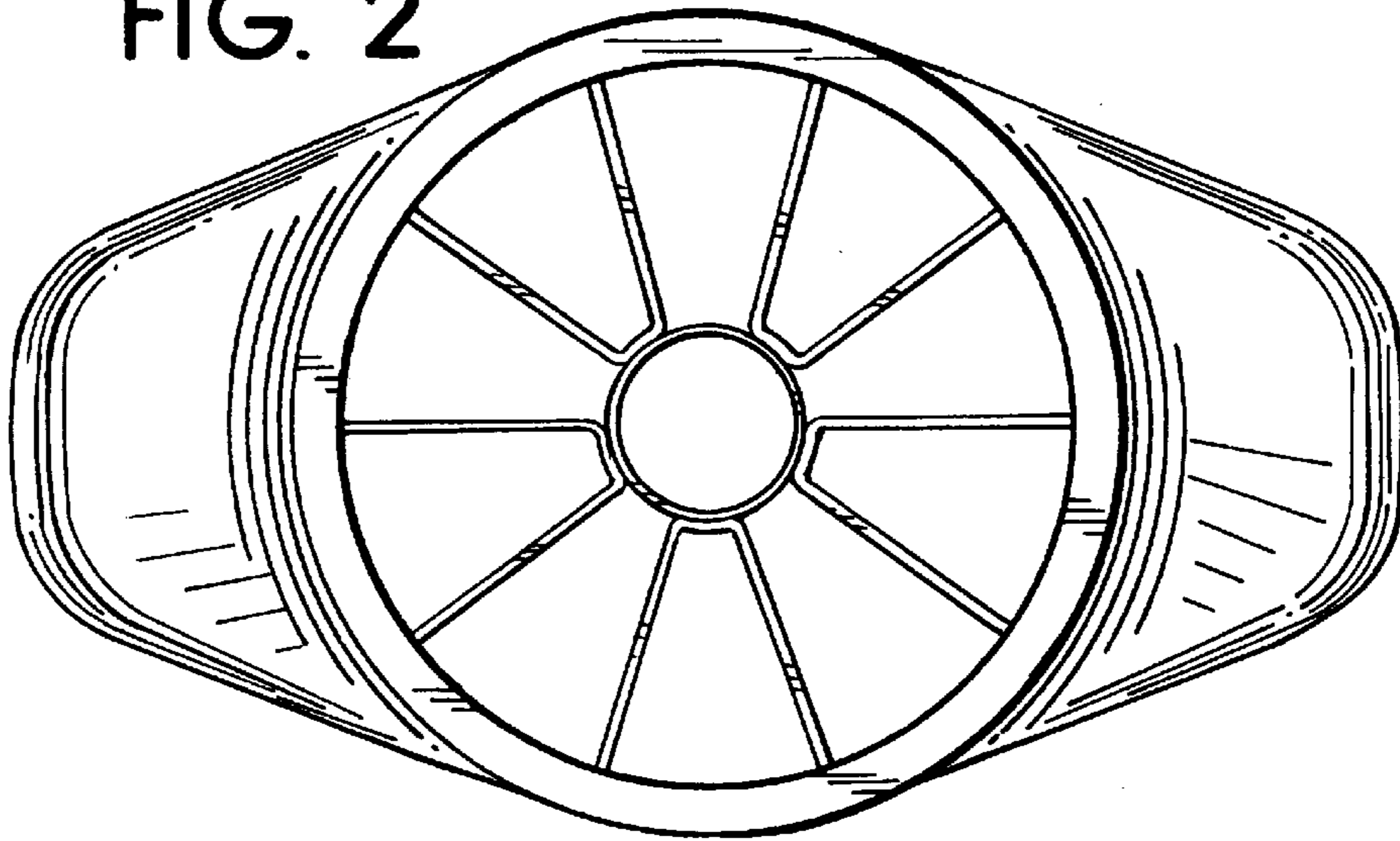


FIG. 3

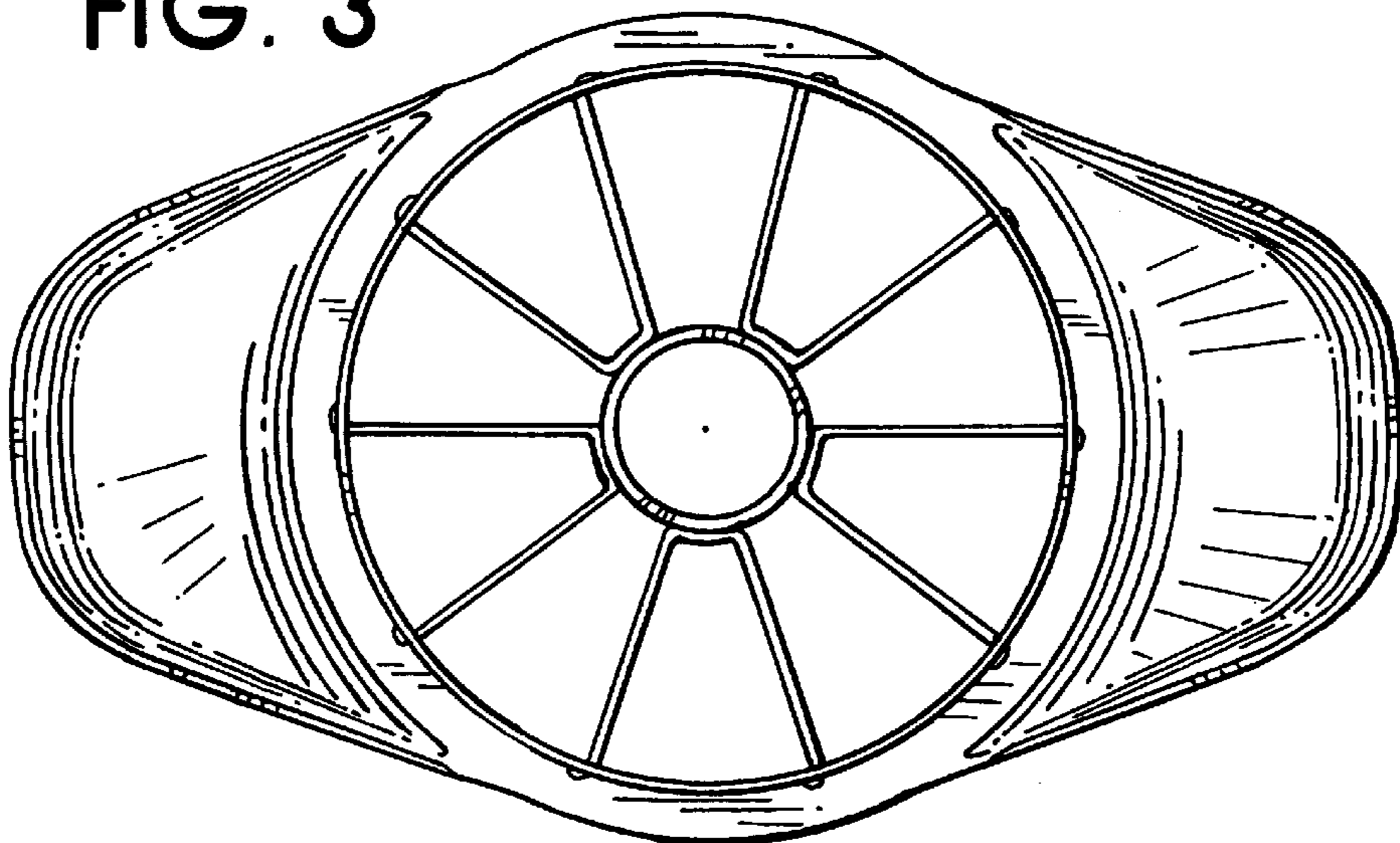


FIG. 4

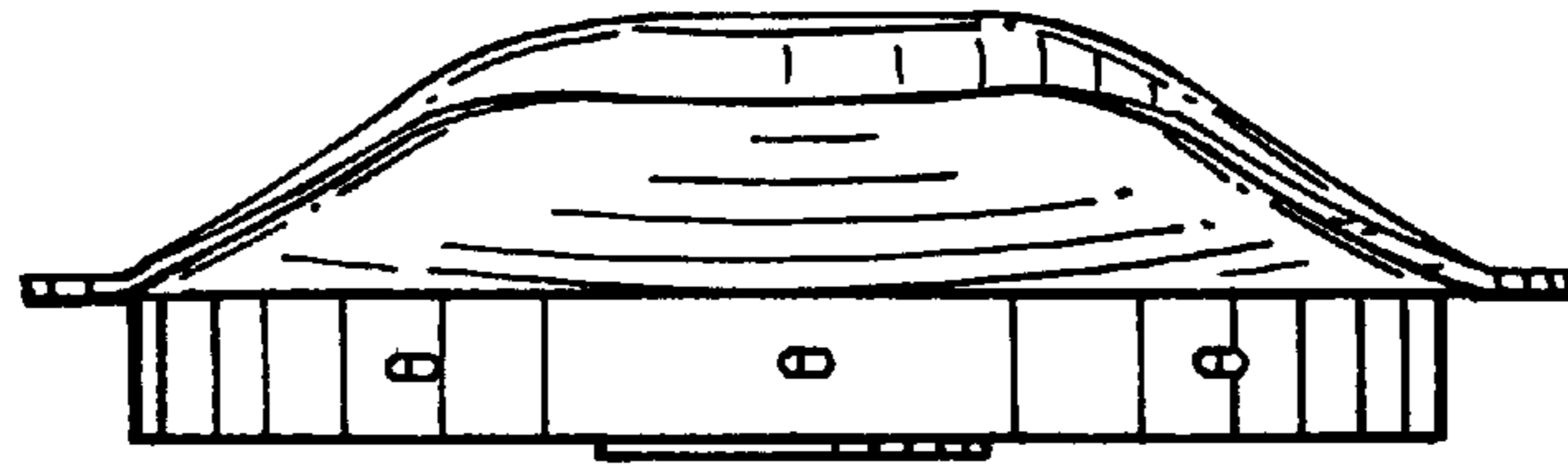


FIG. 5

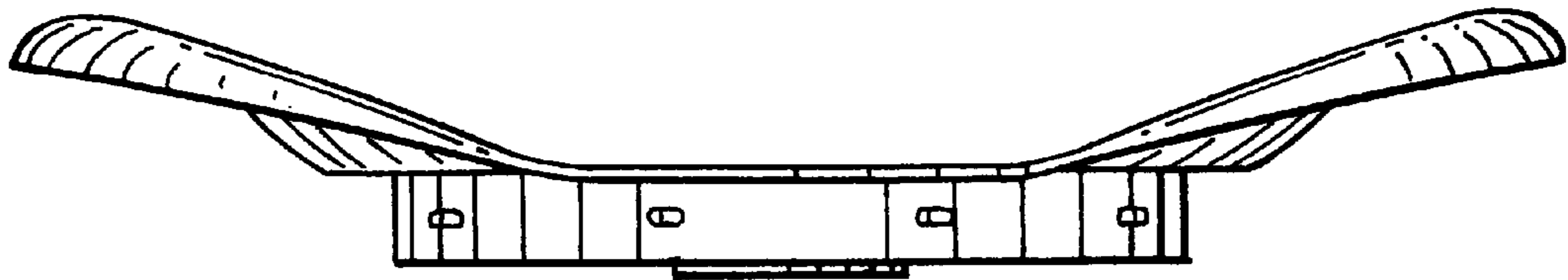


FIG. 6

