

US00D432869S

United States Patent [19]
Saunders

[11] **Patent Number: Des. 432,869**

[45] **Date of Patent: ** Oct. 31, 2000**

[54] **BULK FOOD CONTAINER**

4,718,578 1/1988 Radek et al. D7/589 X
4,744,487 5/1988 Welborn D6/471 X

[76] Inventor: **Michael Peter Saunders**, 2397
Commissioners Road West, London,
Ontario, Canada, N6K 4P1

Primary Examiner—Terry A. Wallace

[**] Term: **14 Years**

[57] **CLAIM**

The ornamental design for a bulk food container, as shown and described.

[21] Appl. No.: **29/114,329**

DESCRIPTION

[22] Filed: **Nov. 23, 1999**

FIG. 1 is a perspective view of a bulk food container showing my new design;
FIG. 2 is a right side elevation view thereof;
FIG. 3 is a left side elevation view thereof;
FIG. 4 is a front elevation view thereof;
FIG. 5 is a rear elevation view thereof;
FIG. 6 is a bottom elevation view thereof; and,
FIG. 7 is a top elevation view thereof.

[51] **LOC (7) Cl.** **07-06**

[52] **U.S. Cl.** **D7/589; D7/612**

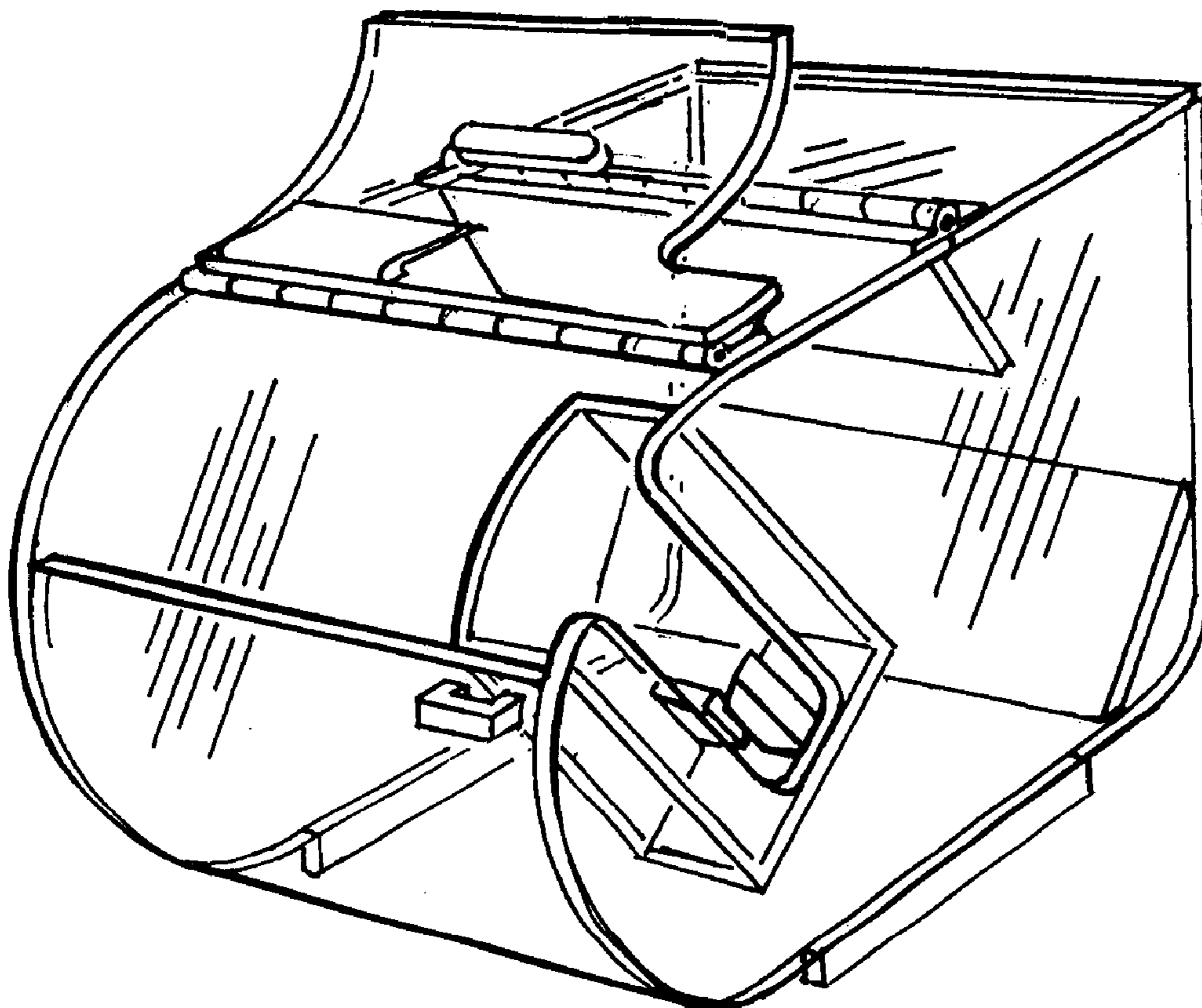
[58] **Field of Search** D7/589, 612; D6/471;
220/810, 827, 843

[56] **References Cited**

U.S. PATENT DOCUMENTS

D. 347,554 6/1994 Wingate et al. D7/612

1 Claim, 1 Drawing Sheet



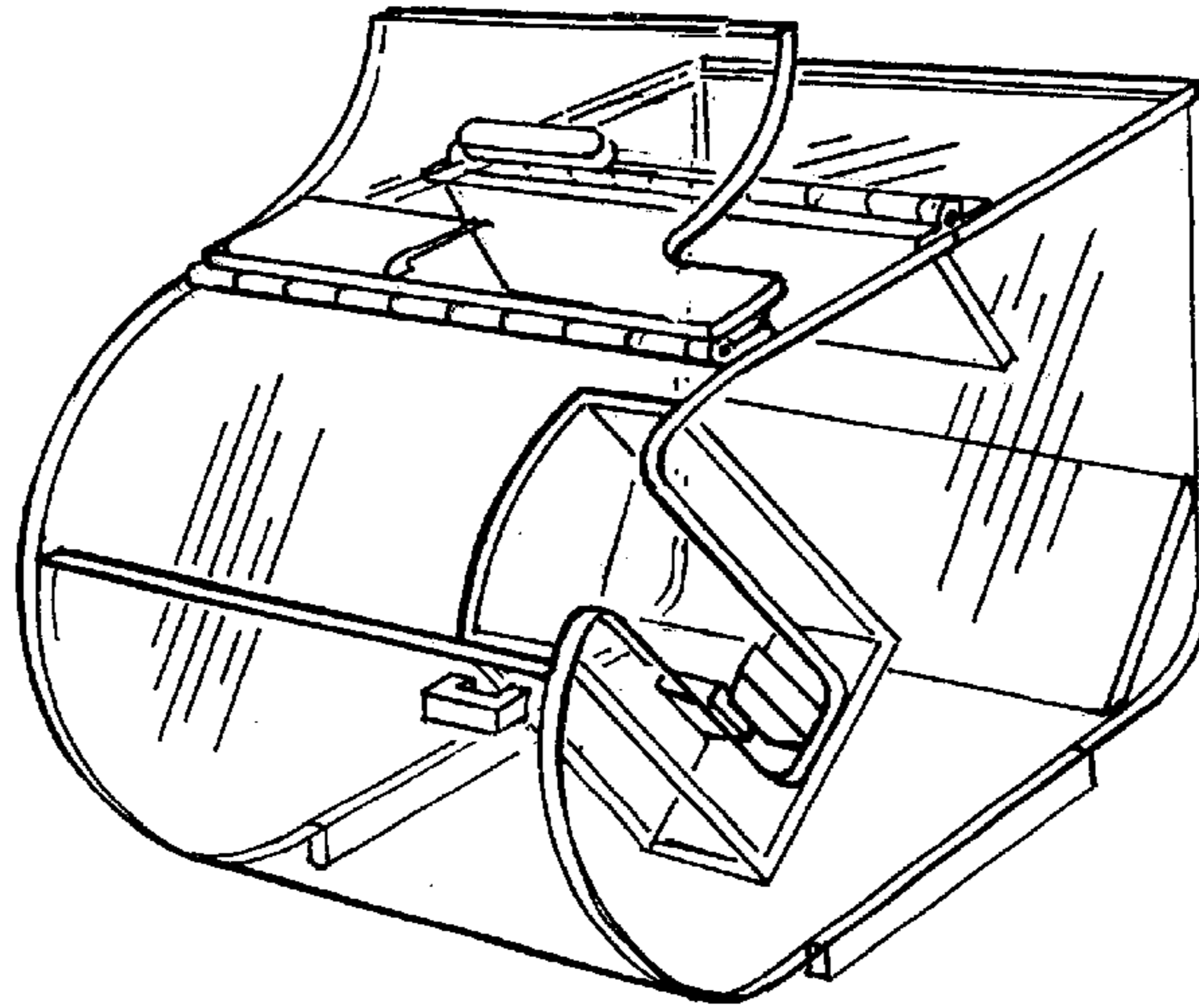


Fig. 1

Fig. 3

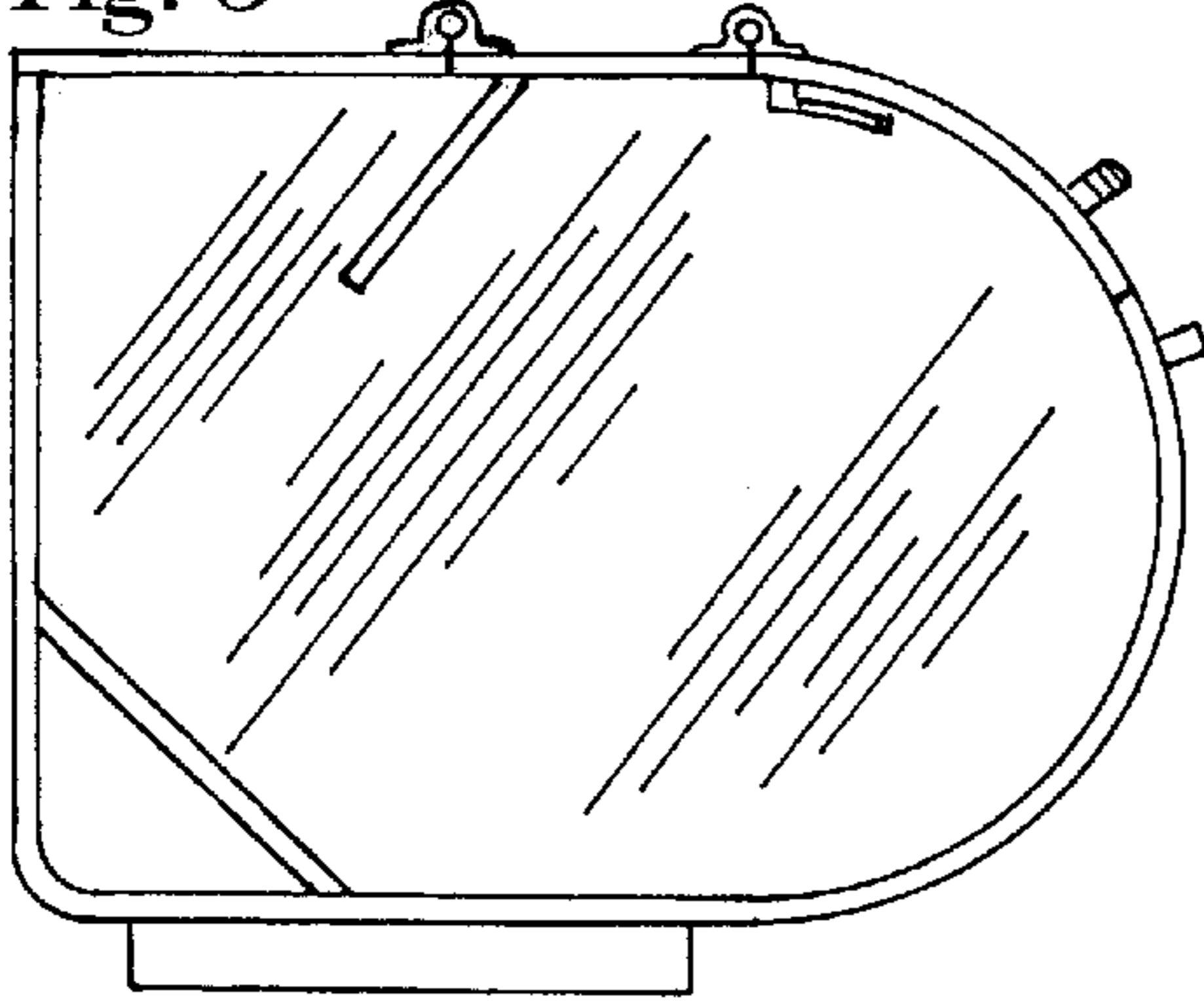


Fig. 2

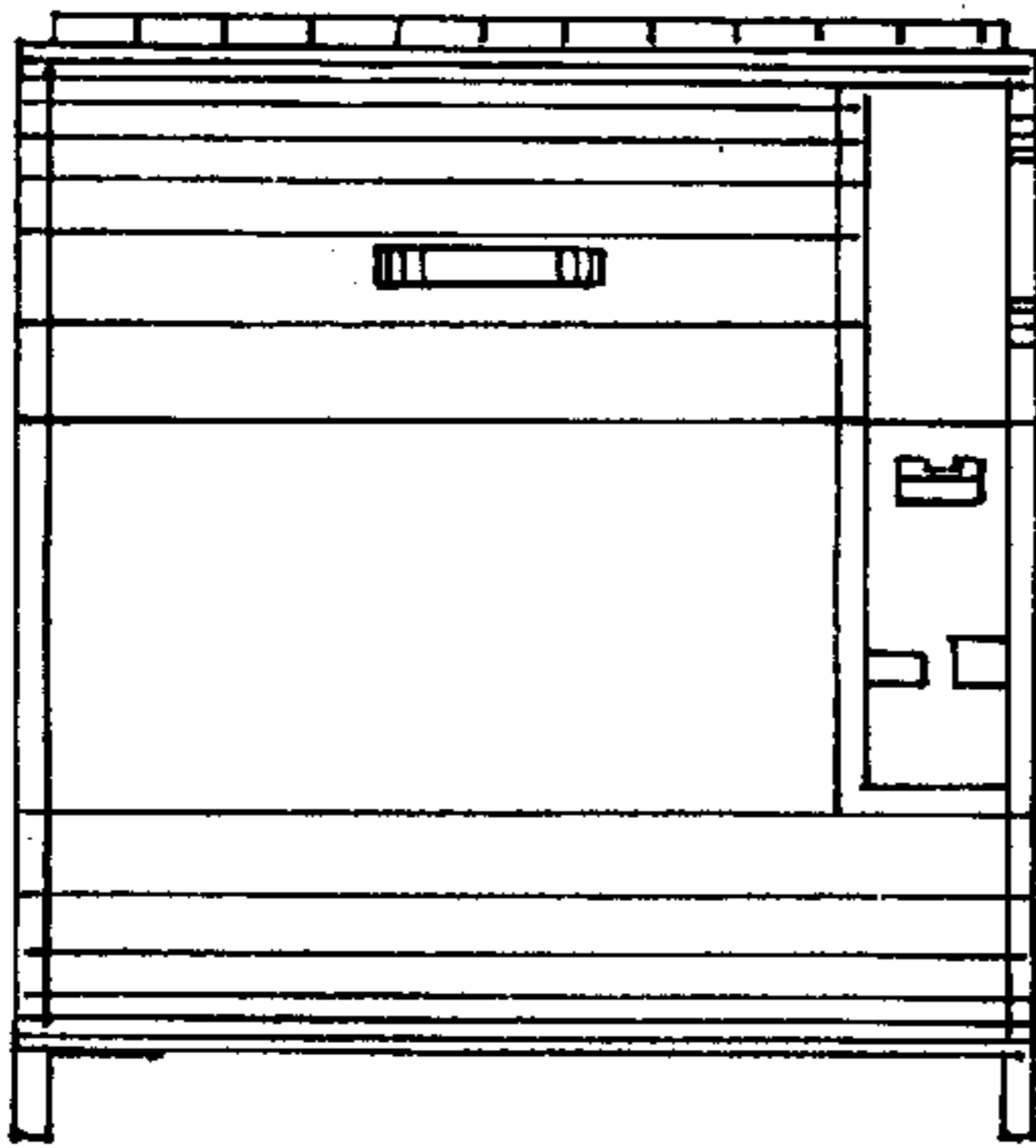
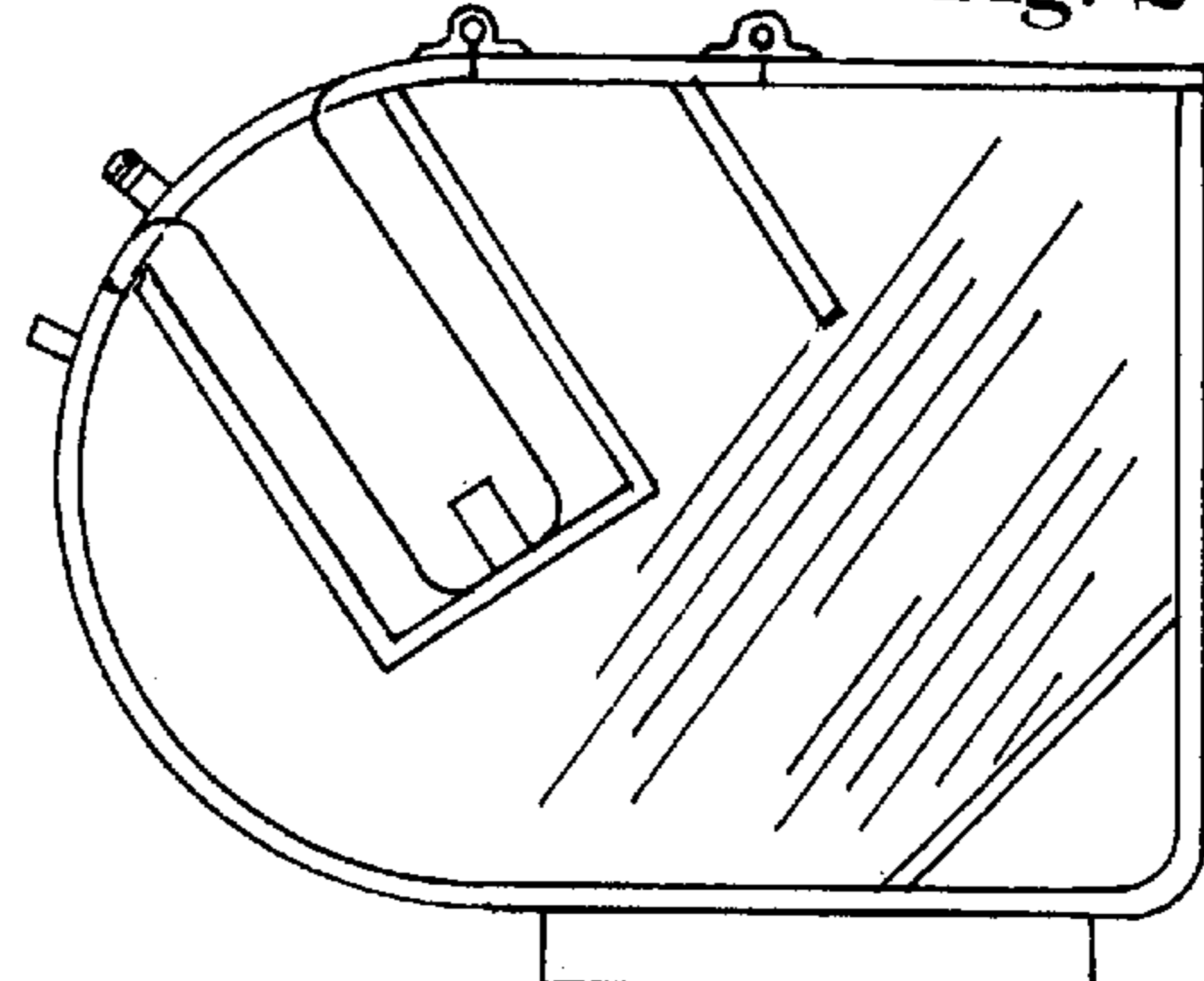


Fig. 4

Fig. 5

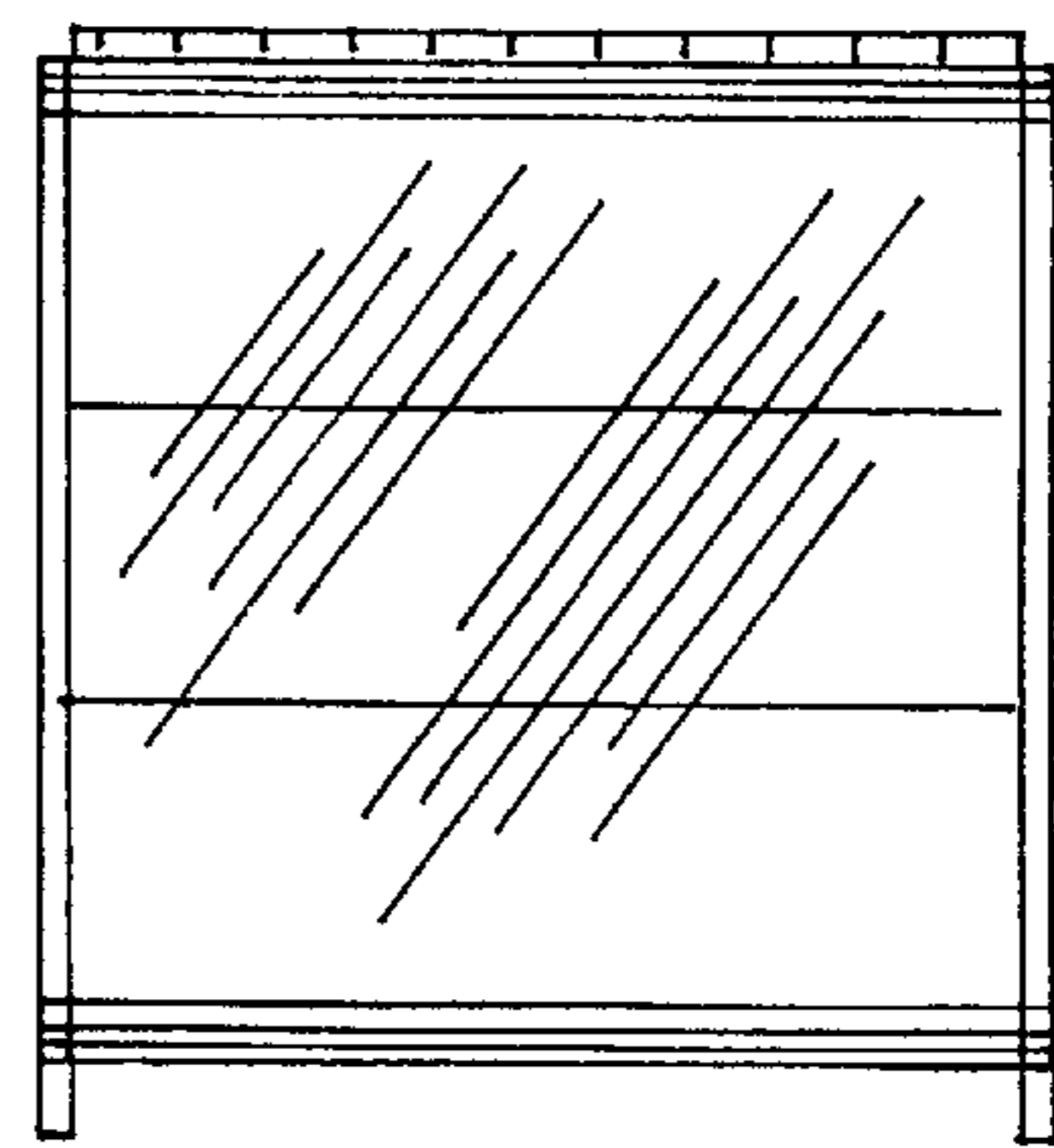


Fig. 6

Fig. 7

