



US00D432868S

# United States Patent [19] Tan

[11] **Patent Number: Des. 432,868**

[45] **Date of Patent: \*\* Oct. 31, 2000**

[54] **POLYHEDRAL BOWL**

2,085,238 6/1937 Towel ..... D7/500  
3,419,176 12/1968 Liffert et al. .... D7/500

[76] Inventor: **Zhixing Tan**, Juxing Building, No. 58  
Zhongshan Road, Zunyi City, Guizhou  
Province 565300, China

*Primary Examiner*—Antoine Duval Davis  
*Attorney, Agent, or Firm*—Nath & Associates PLLC; Gary  
M. Nath

[\*\*] Term: **14 Years**

[57] **CLAIM**

[21] Appl. No.: **29/107,942**

The ornamental design for a polyhedral bowl, as shown and  
described.

[22] Filed: **Jul. 19, 1999**

**DESCRIPTION**

[51] **LOC (7) Cl.** ..... **07-01**

[52] **U.S. Cl.** ..... **D7/584**

[58] **Field of Search** ..... D7/550.1, 546,  
D7/586, 554.3, 540, 558, 554.4, 500, 587,  
554.2, 397, 392.1, 555, 566, 584, 601,  
602, 641; 206/562, 561, 538, 564, 508,  
511; 220/574, 575, 212, 605, 23.8, 23,  
556, 628, 675

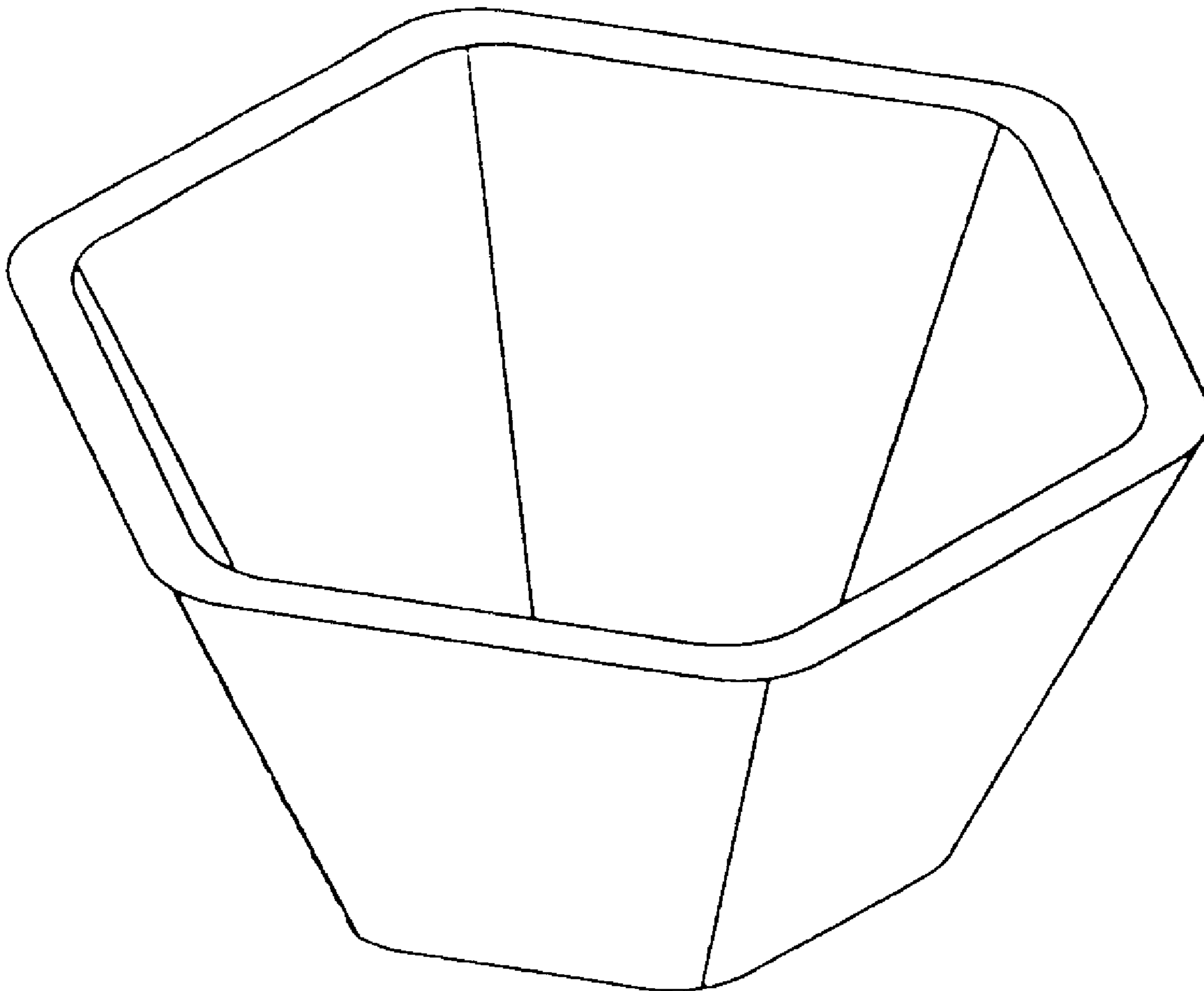
FIG. 1 is a perspective view of the polyhedral bowl;  
FIG. 2 is a front side view of the polyhedral bowl;  
FIG. 3 is a left side view of the polyhedral bowl;  
FIG. 4 is a bottom view of the polyhedral bowl; and,  
FIG. 5 is a top view of the polyhedral bowl;  
The right side view and the back side view, which are the  
same as the left side view and the front side view, respec-  
tively, are omitted.

[56] **References Cited**

**U.S. PATENT DOCUMENTS**

D. 12,422 8/1881 Brundige ..... D7/545

**1 Claim, 3 Drawing Sheets**



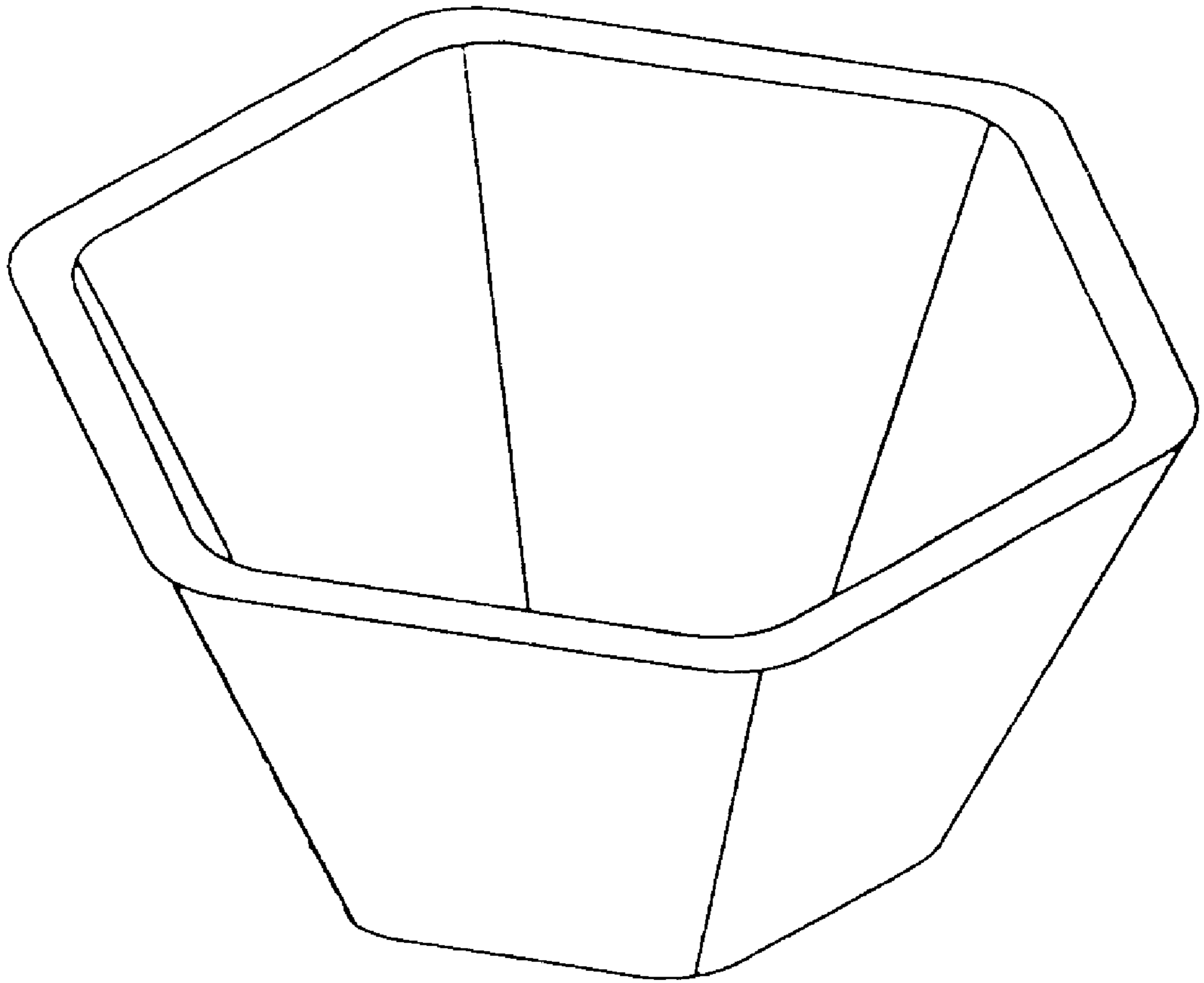


Fig. 1

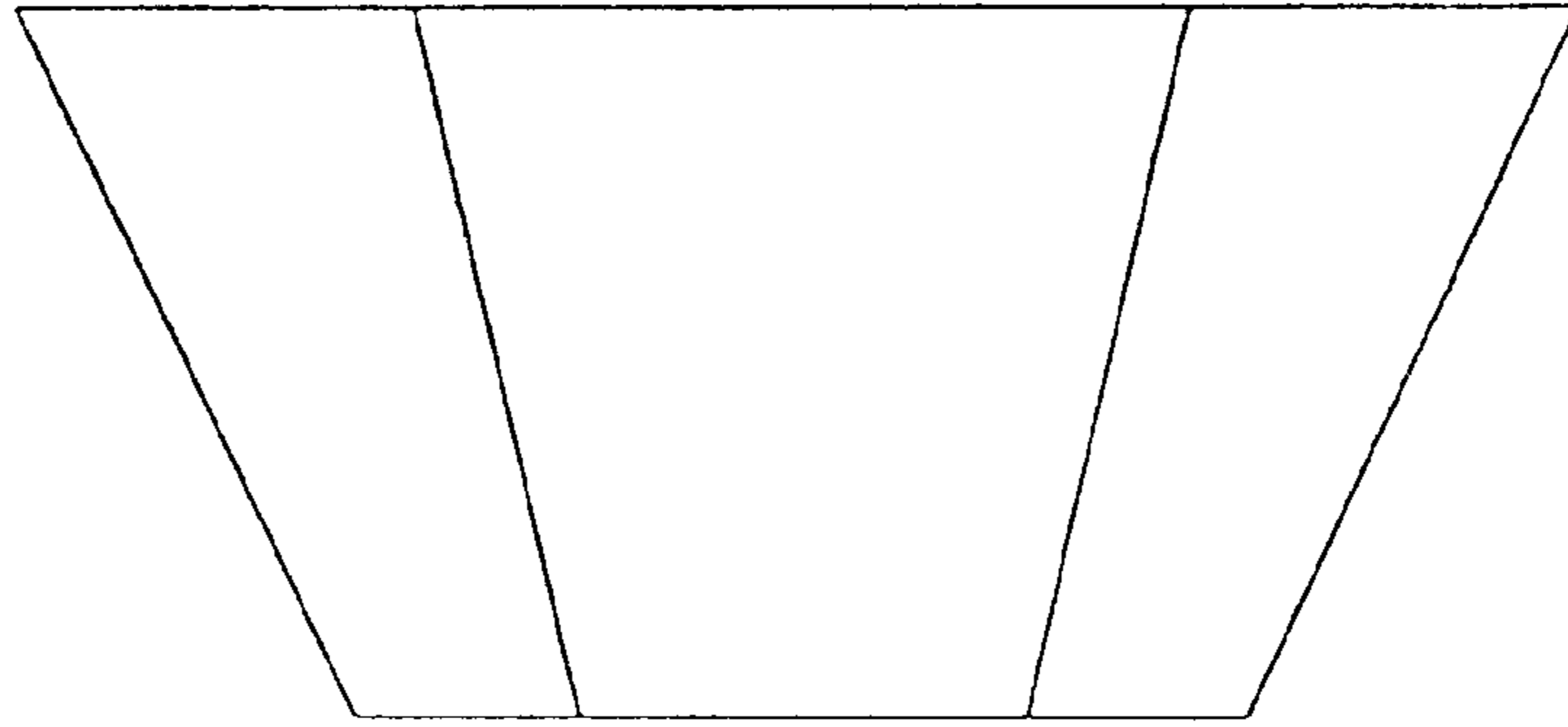


Fig. 2

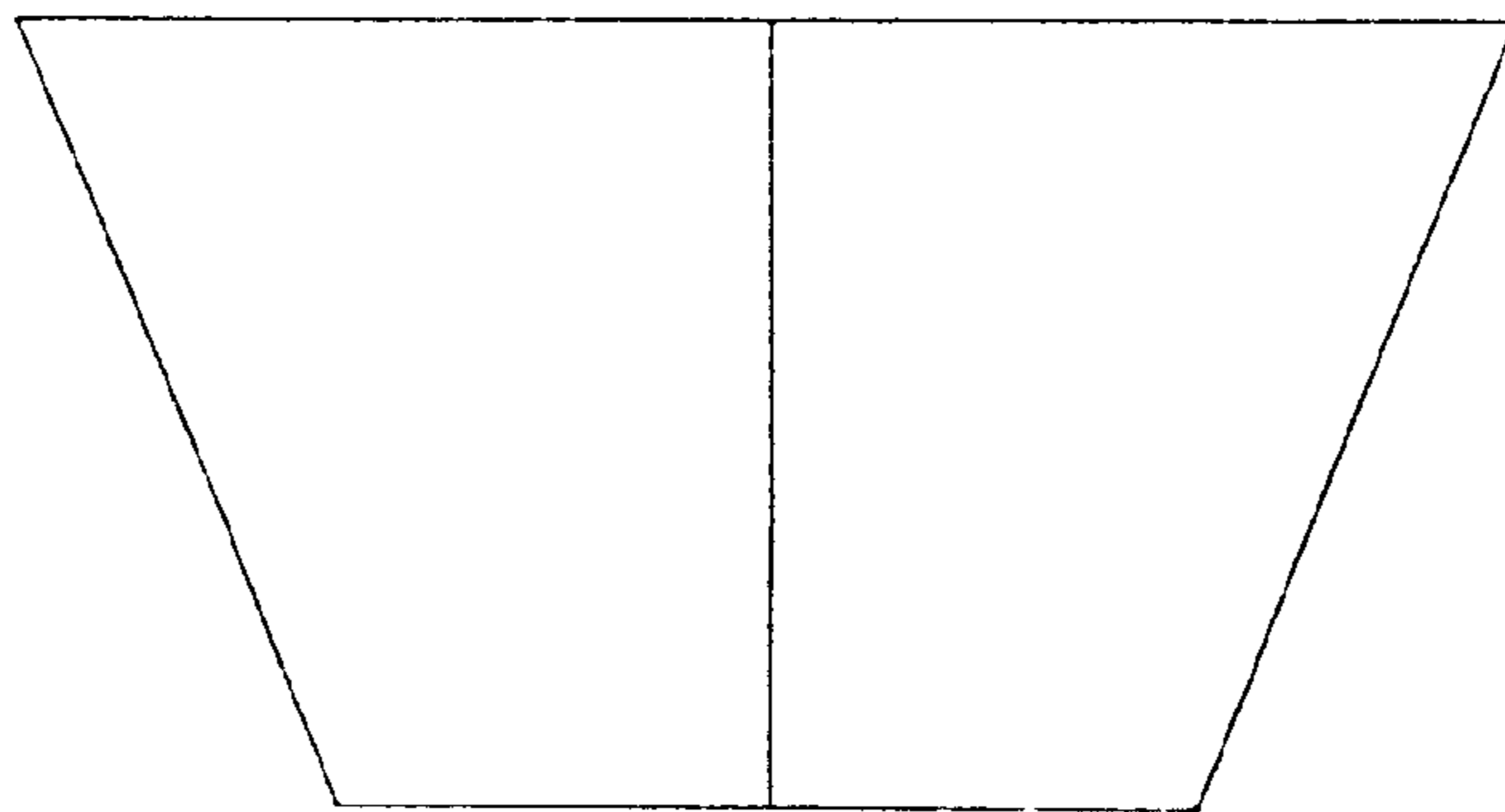


Fig. 3

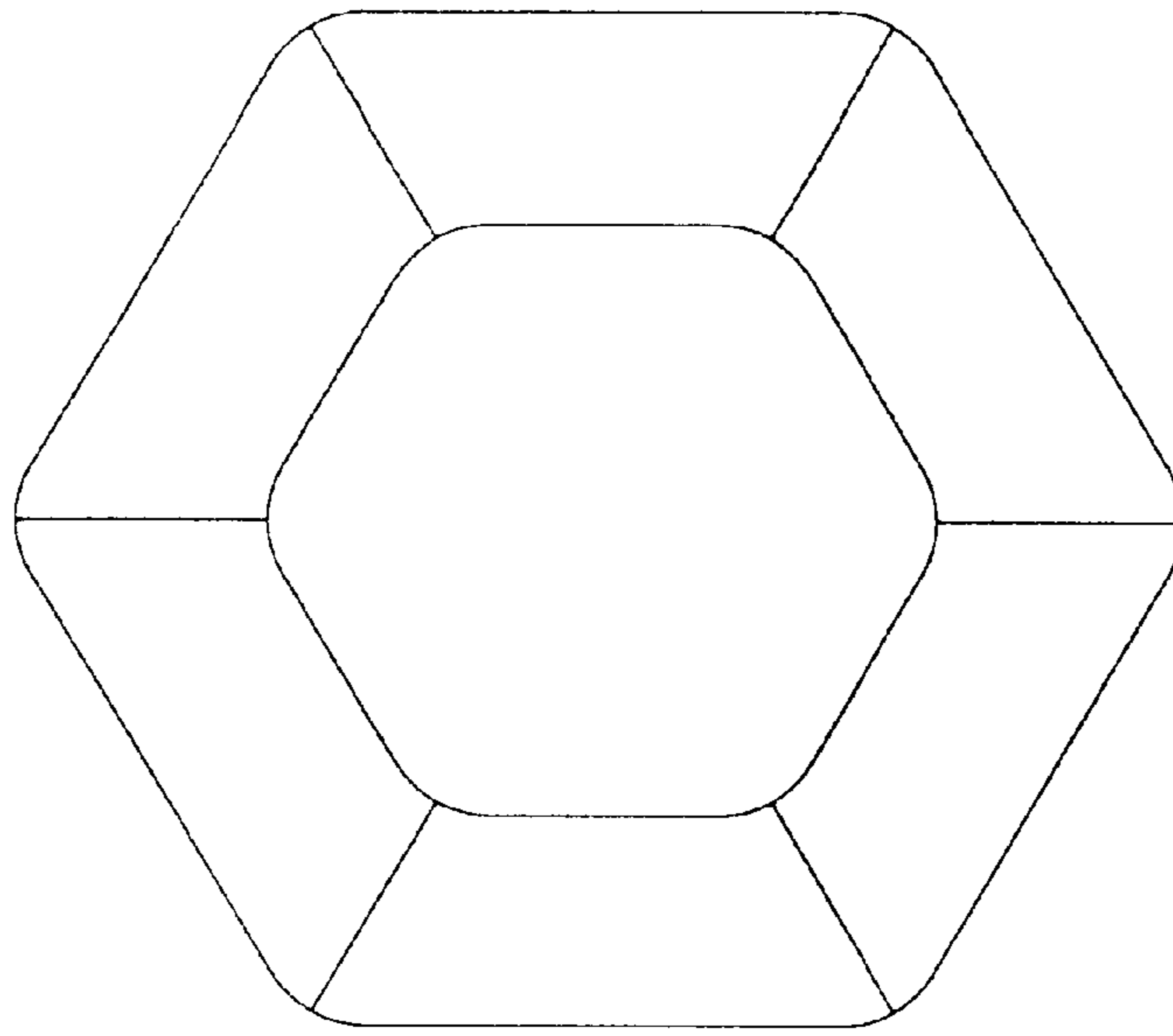


Fig. 4

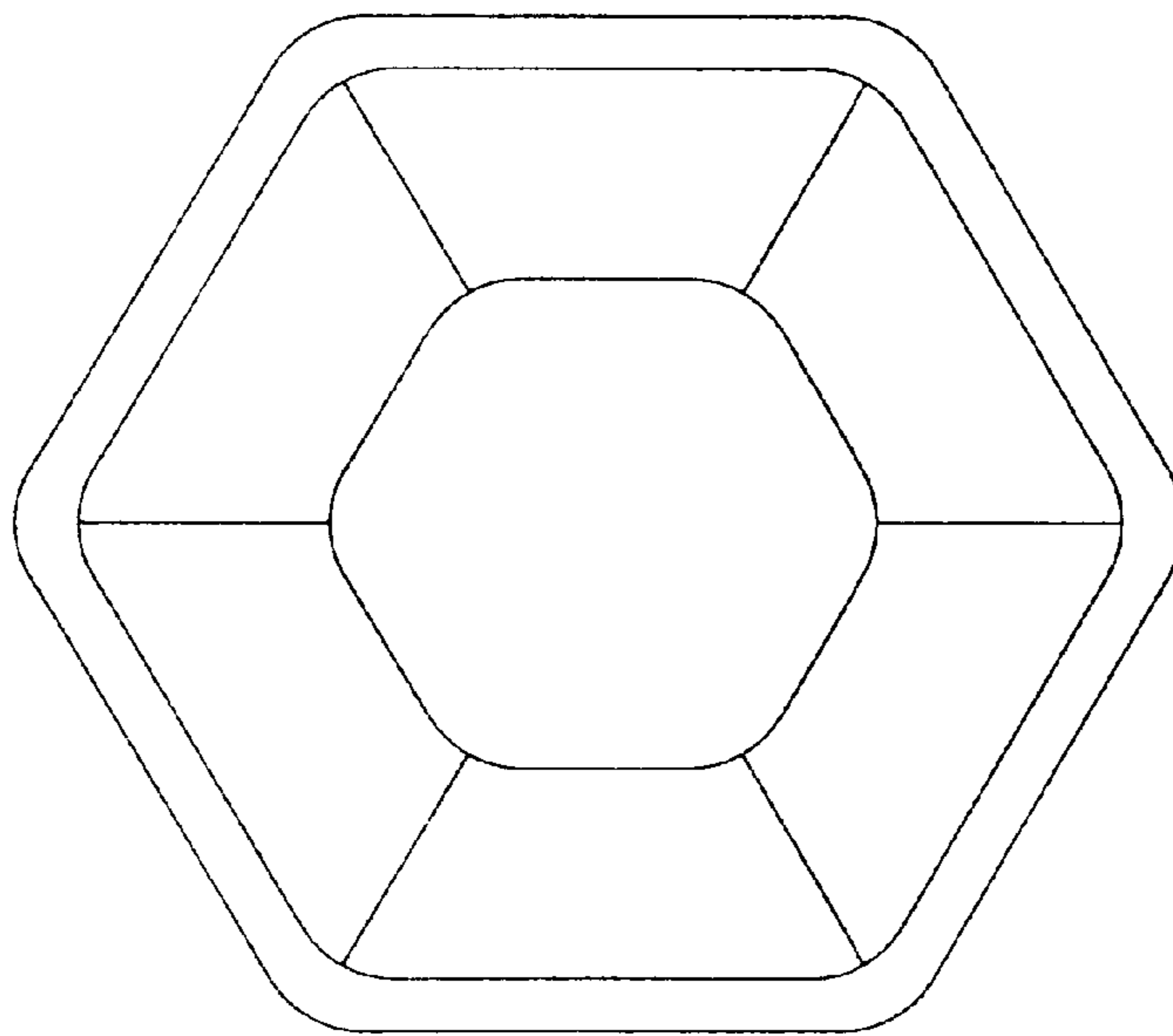


Fig. 5