



US00D432866S

United States Patent [19] Harrison

[11] **Patent Number: Des. 432,866**

[45] **Date of Patent: ** Oct. 31, 2000**

[54] **SERVING PAN**

[75] Inventor: **Gregory S. Harrison**, Farmington, Utah
[73] Assignee: **Crest Manufacturing, Inc.**, Salt Lake City, Utah
[**] Term: **14 Years**
[21] Appl. No.: **29/115,268**
[22] Filed: **Dec. 10, 1999**

[51] **LOC (7) Cl.** **07-01**
[52] **U.S. Cl.** **D7/545**
[58] **Field of Search** D7/545, 345, 357, D7/597, 598, 543, 546, 547, 552, 554, 557, 566, 568, 570, 584, 586, 601, 602, 500, 501, 503, 553, 555, 549, 558, 565, 610, 614, 554.3, 587; 220/518, 215, 212.5, 351, 346, 322

[56] **References Cited**

U.S. PATENT DOCUMENTS

D. 254,117	2/1980	Kramer	D7/97
D. 268,622	4/1983	Wolters et al.	D34/40
D. 275,500	9/1984	Tyke	D19/76
D. 282,708	2/1986	Schaeffer	D7/104

(List continued on next page.)

OTHER PUBLICATIONS

James P. Danielsen and Jeffrey C. Mittmann, "Pan Corner" (pending U.S. design application).
Bourgeat, Internet advertisements located at www.bourgeat.fr/us/equiphotel.htm, www.bourgeat.fr/us/produit/prod.htm, www.bourgeat.fr/us/produit/gastro.htm, www.bourgeat.fr/us/produit/inox.htm, www.bourgeat.fr/us/produit/polycarb.htm, www.bourgeat.fr/us/produit/polyprop.htm, and www.bourgeat.fr/us/produit/concept.htm.

Primary Examiner—Antoine Duval Davis
Attorney, Agent, or Firm—Kirton & McConkie; Berne S. Broadbent; Keith Hargrove

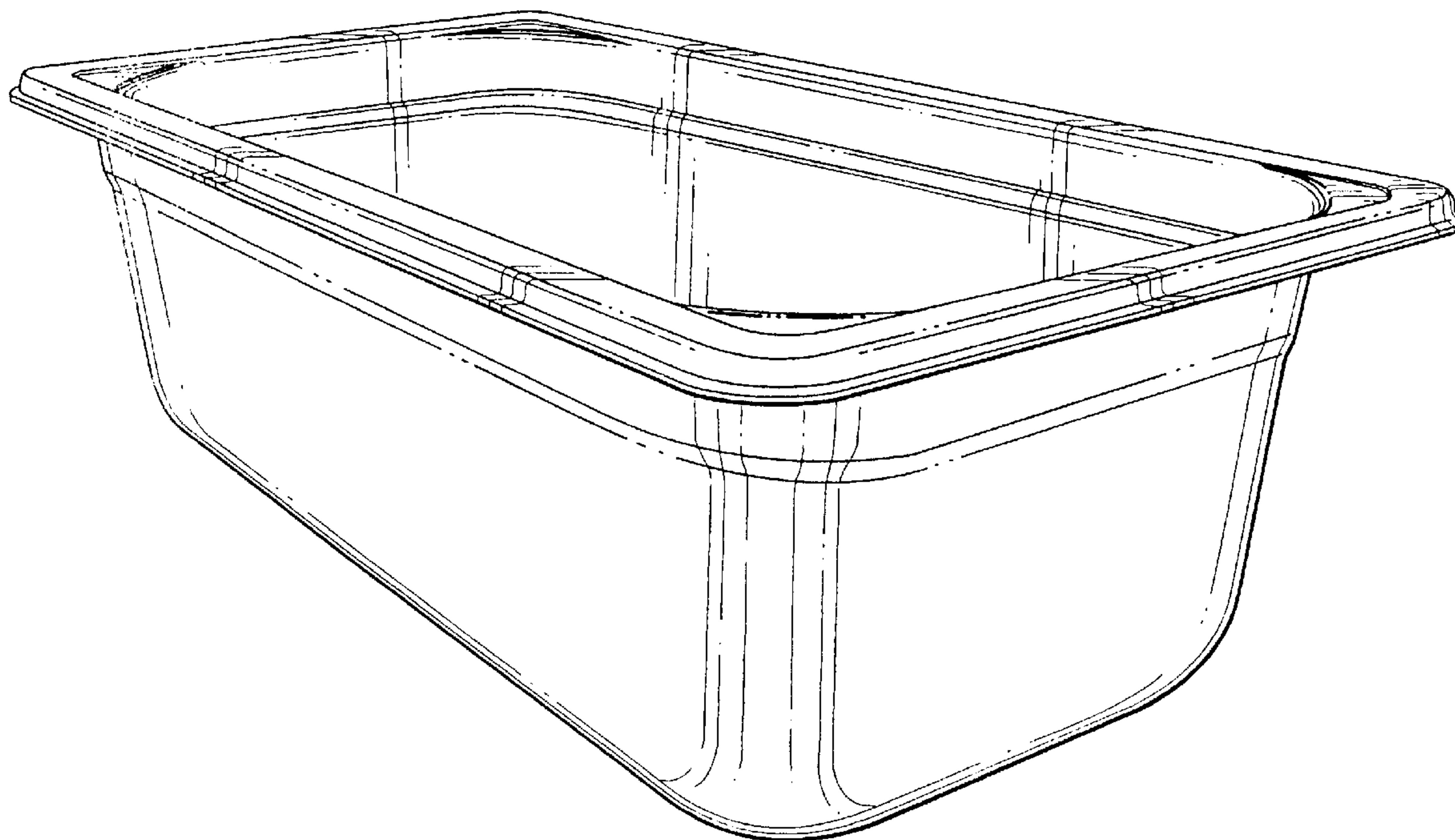
[57] **CLAIM**

The ornamental design for a serving pan, as shown.

DESCRIPTION

FIG. 1 illustrates a perspective view of the serving pan in accordance with the present invention;
FIG. 2 illustrates a side plan view of the pan of FIG. 1;
FIG. 3 depicts a top plan view of the pan of FIG. 1;
FIG. 4 depicts an end plan view of the pan of FIG. 1; and,
FIG. 5 depicts a bottom plan view of the pan of FIG. 1.

1 Claim, 3 Drawing Sheets



U.S. PATENT DOCUMENTS					
			4,343,850	8/1982	Kravig et al. 428/203
D. 288,396	2/1987	Ritman	4,375,711	3/1983	Franzen et al. 16/252
D. 291,046	7/1987	Johnson	4,402,167	9/1983	Denucci
D. 291,526	8/1987	Heaney et al.	4,470,861	9/1984	Kravig et al. 156/222
D. 292,663	11/1987	Johnson	4,540,207	9/1985	Klasen et al. 292/341.17
D. 293,295	12/1987	Johnson	4,654,099	3/1987	Sandman
D. 296,287	6/1988	Mueller	4,660,734	4/1987	Heaney et al. 220/74
D. 312,749	12/1990	Kessler	4,689,275	8/1987	Sandman
D. 323,296	1/1992	Schoenthaler	4,779,605	10/1988	Smith et al. 126/33
D. 323,768	2/1992	Friederichs	4,847,949	7/1989	Goad et al. 16/252
D. 326,033	5/1992	Friederichs	4,867,504	9/1989	Johnson, Jr. 297/3
D. 333,944	3/1993	Denzin et al.	4,921,119	5/1990	Goad et al. 220/212
D. 349,421	8/1994	Goad	4,923,086	5/1990	Mahon et al. 220/401
D. 358,292	5/1995	Goad	4,957,224	9/1990	Kessler et al. 222/465.1
D. 365,501	12/1995	Daugherty et al.	4,967,908	11/1990	Kessler
D. 384,555	10/1997	Bradley	5,018,623	5/1991	Hrenyo
D. 393,776	4/1998	Kessler	5,035,327	7/1991	Denzin et al. 206/518
D. 396,925	8/1998	Kessler et al.	5,048,714	9/1991	Stevens
D. 415,656	10/1999	Henry	5,082,334	1/1992	Beyer et al. 312/140.4
D. 417,361	12/1999	Mittmann et al.	5,119,800	6/1992	Roberts et al. 126/377
3,683,452	8/1972	Rickmeier, Jr. et al.	5,131,708	7/1992	Denzin
3,694,044	9/1972	Cummings	5,203,257	4/1993	Goad
3,717,397	2/1973	Cummings	5,269,217	12/1993	Goad
3,722,700	3/1973	Cummings	5,326,248	7/1994	Thuecks et al. 425/187
3,722,970	3/1973	Healy	5,375,719	12/1994	Mittmann et al. 206/518
3,806,218	4/1974	Cummings	5,381,729	1/1995	Hennessy et al. 99/483
3,813,896	6/1974	Lebahn	5,758,572	6/1998	Hennessy et al. 99/483
3,975,794	8/1976	Kaiser et al.	5,762,226	6/1998	Baltus et al. 220/212.5
4,080,764	3/1978	Stowik et al.	5,769,261	6/1998	Gaffney et al. 220/335
4,113,095	9/1978	Dietz et al.	5,823,367	10/1998	Morgan, Jr. 211/126.1
4,180,944	1/1980	Stowik et al.	5,867,867	2/1999	Kessler
4,197,941	4/1980	Halasz	5,984,130	11/1999	Hayes et al. 220/574
4,298,156	11/1981	Reifers et al.			

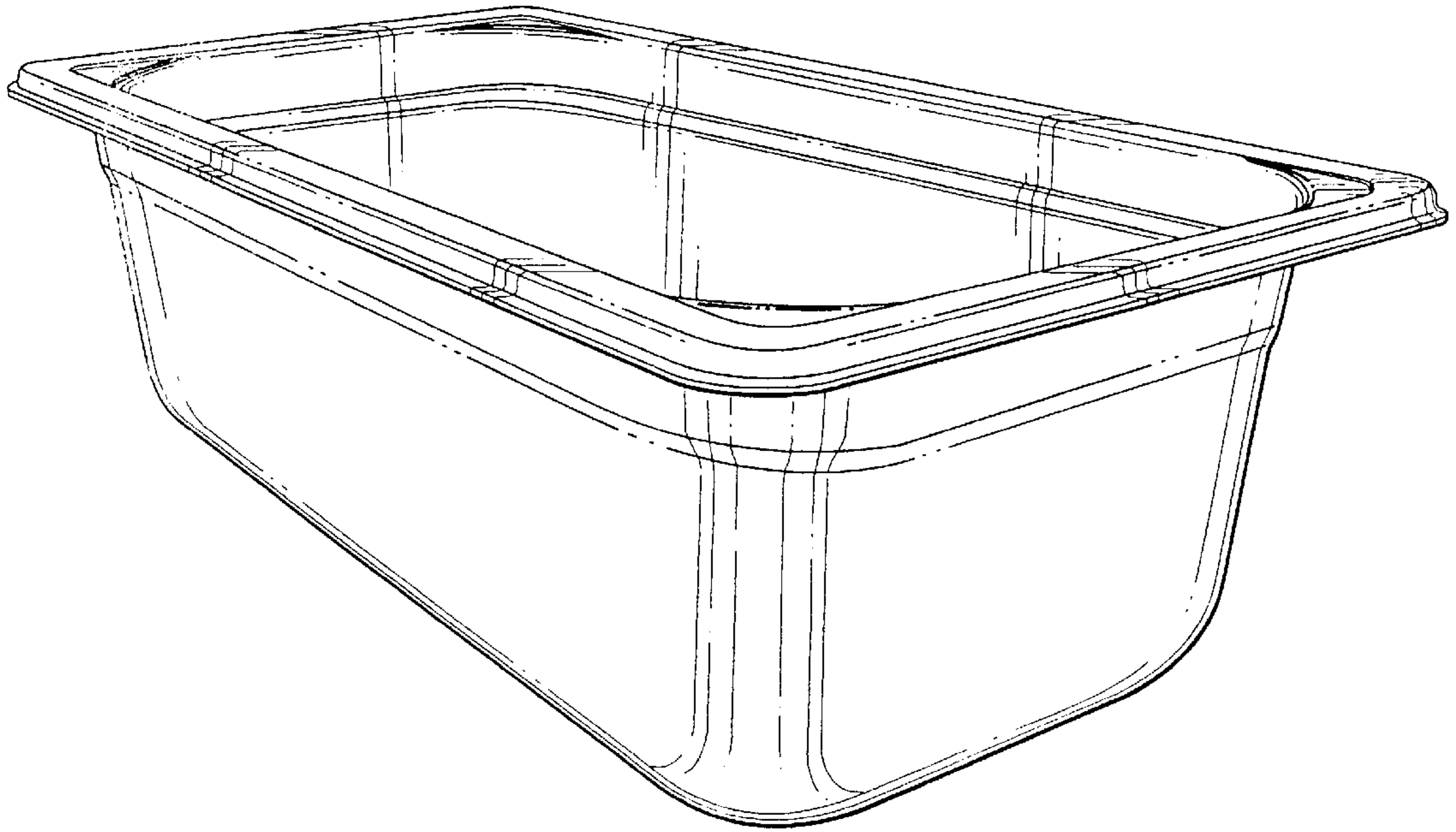


FIG. 1

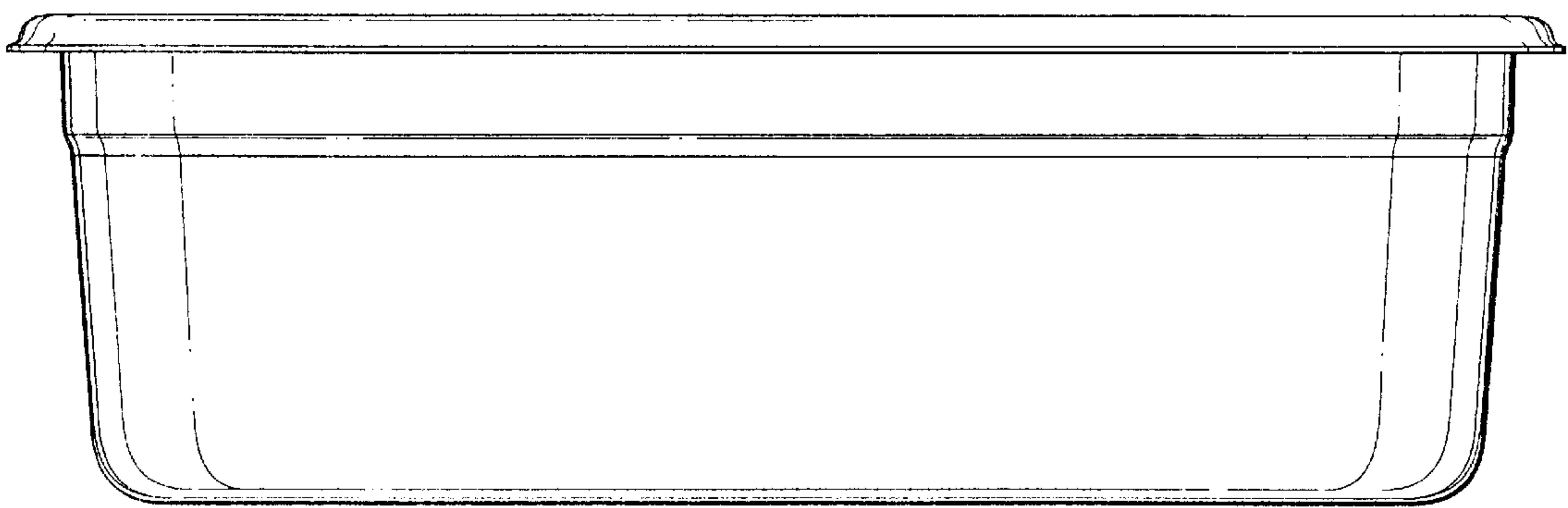


FIG. 2

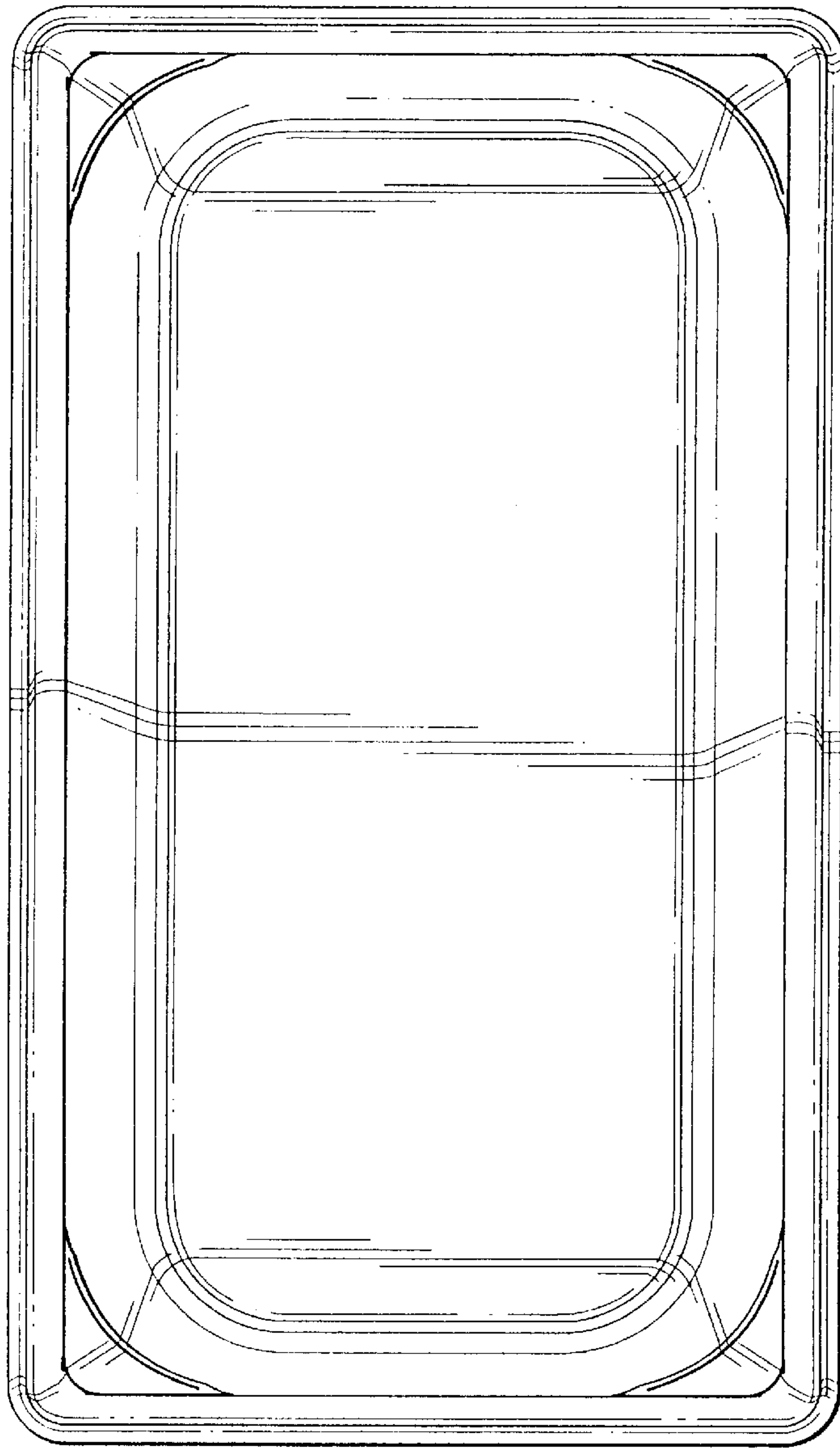


FIG. 3

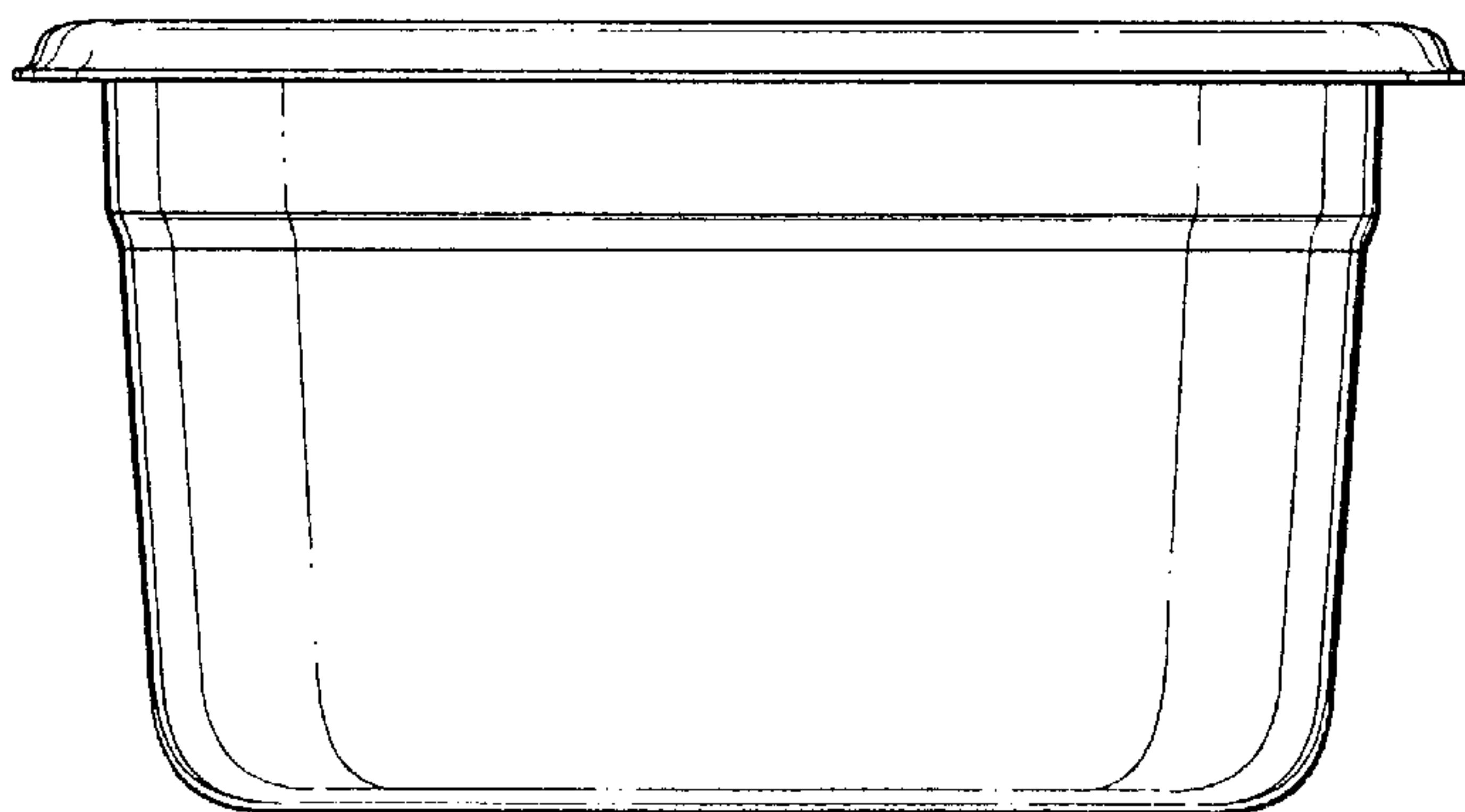


FIG. 4

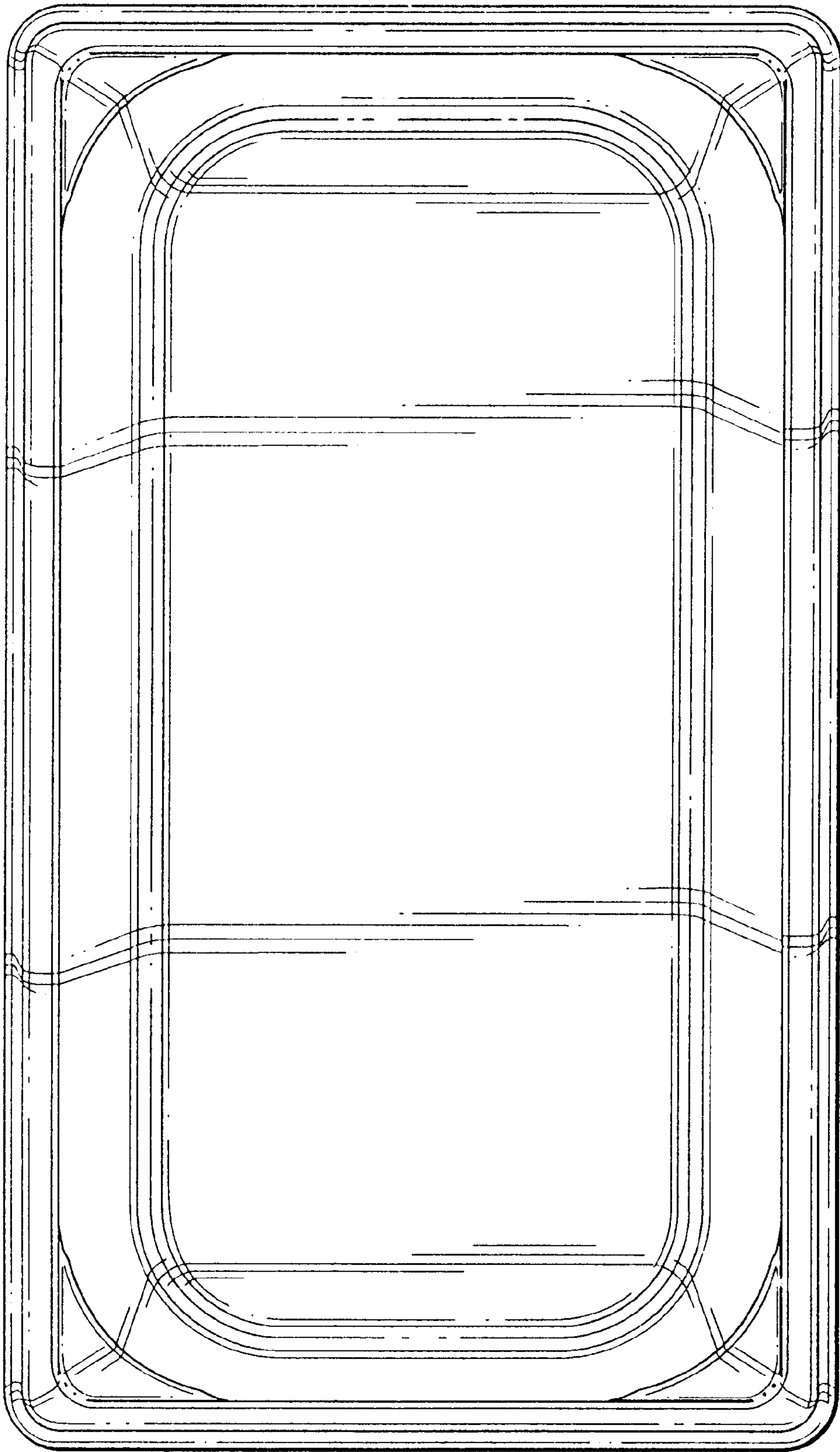


FIG. 5