



US00D432862S

United States Patent [19] Cragg

[11] Patent Number: **Des. 432,862**

[45] Date of Patent: **** Oct. 31, 2000**

[54] **BARBECUE GRILL SHAPED LIKE A TENNIS BALL**

[76] Inventor: **Brandon Cragg**, 119 Merriam Ave.,
Newton, N.J. 07860

[**] Term: **14 Years**

[21] Appl. No.: **29/111,178**

[22] Filed: **Sep. 22, 1999**

[51] **LOC (7) Cl.** **07-02**

[52] **U.S. Cl.** **D7/402; D7/332**

[58] **Field of Search** D7/331-337, 402-403;
26/25 R, 25 A, 25 AA, 9 R, 29-30, 39 R,
41 R; 99/419, 421 R; D21/707, 710, 713,
714, 716, 498, 548-550, 453

[56] **References Cited**

U.S. PATENT DOCUMENTS

D. 330,284	10/1992	Klien et al.	D3/202
D. 357,386	4/1995	Jones	D7/606
D. 357,500	4/1995	Mutterperl	D19/36
D. 358,324	5/1995	Mitchell	D9/307
D. 413,598	9/1999	Cheung	D14/156
D. 416,770	11/1999	Thorpe	D7/710

D. 418,004	12/1999	Taylor, Jr.	D7/332
D. 418,359	1/2000	Taylor, Jr.	D7/332
D. 419,387	1/2000	Hansen	D7/606
D. 421,033	2/2000	Shirley et al.	D16/227
D. 421,220	2/2000	Larson et al.	D9/434

Primary Examiner—Ruth McInroy
Attorney, Agent, or Firm—Robert M. Downey, P.A.

[57] **CLAIM**

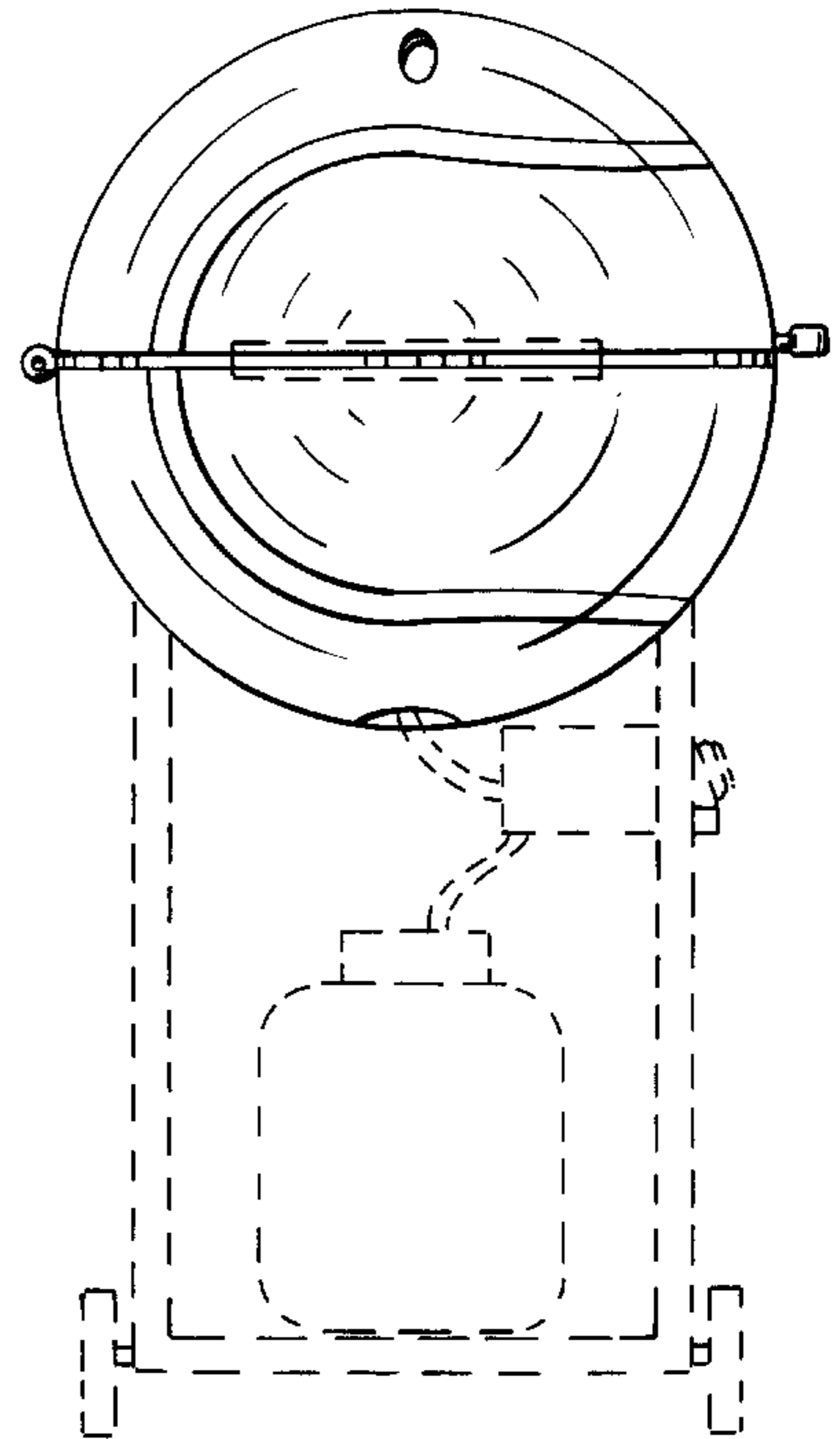
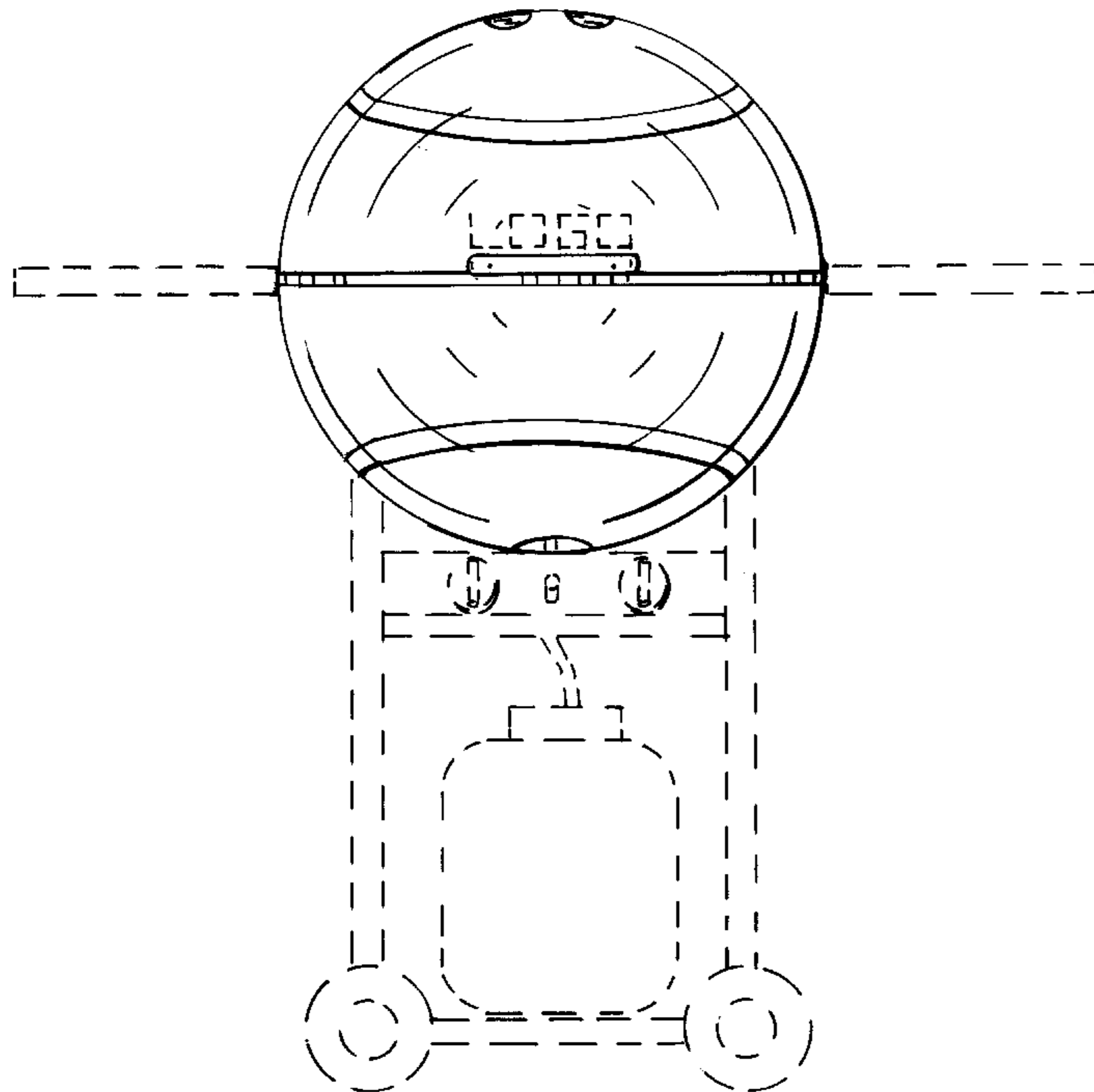
The ornamental design for barbecue grill shaped like a tennis ball, as shown and described.

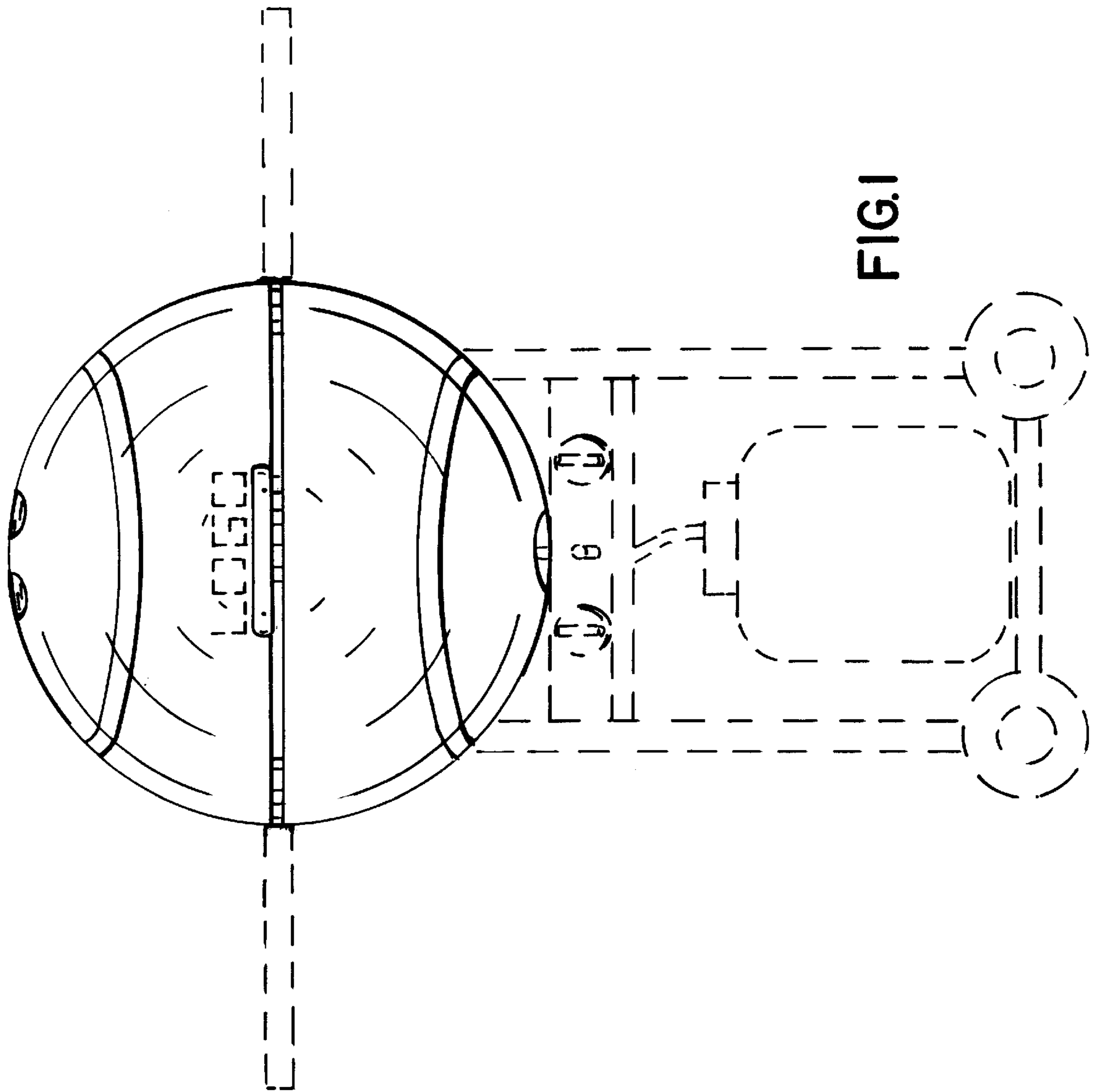
DESCRIPTION

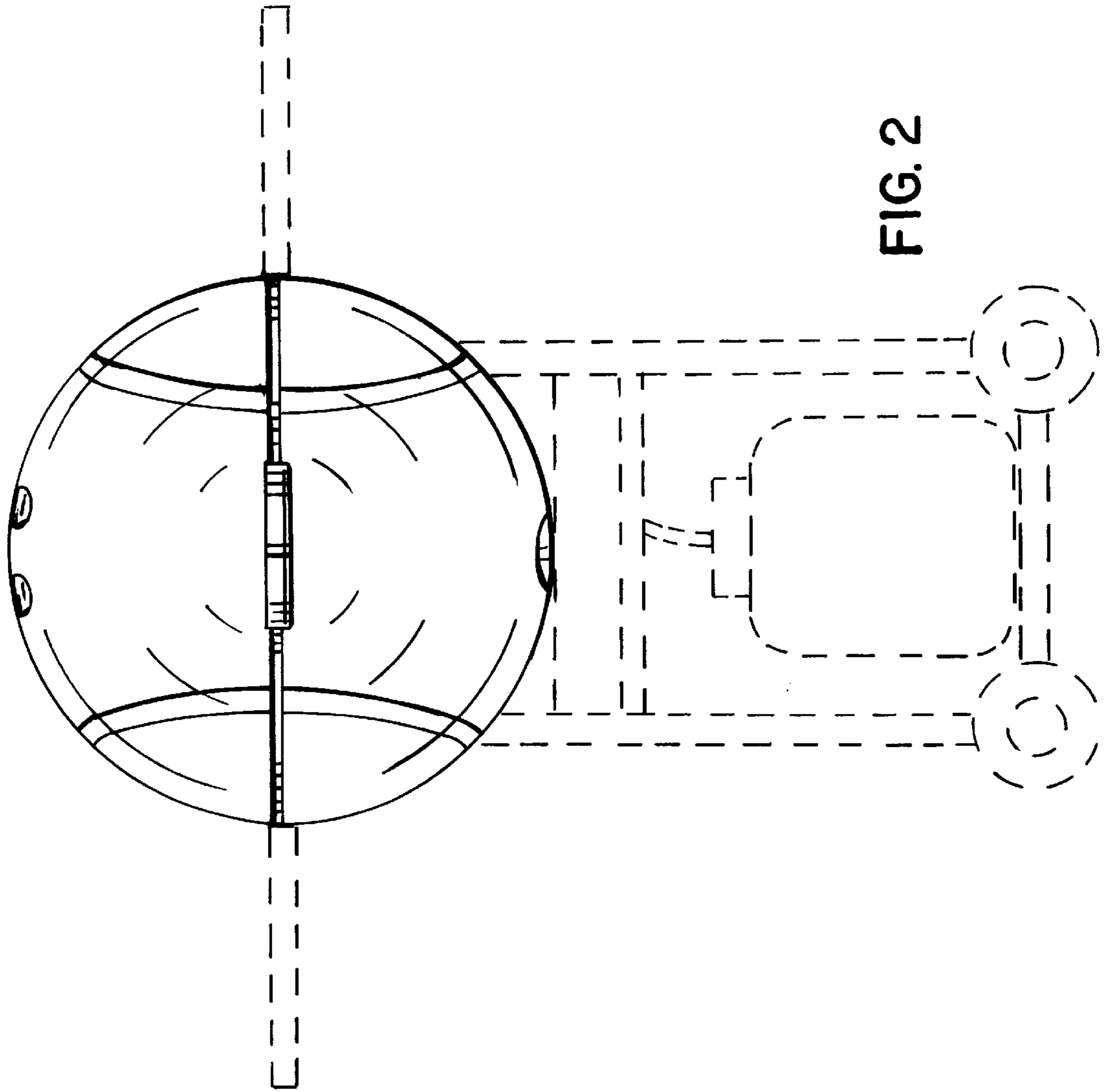
FIG. 1 is a front elevational view of a barbecue grill shaped like a tennis ball showing my new design;
FIG. 2 is a rear elevational view thereof;
FIG. 3 is a left side elevational view thereof, the right side elevational view being identical thereto;
FIG. 4 is a top plan view thereof; and,
FIG. 5 is a bottom plan view thereof.

The broken lines showing the barbecue cart including the console panel, the side tables, the gas tank, and the logos are for illustrative purposes only and form no part of the claimed design.

1 Claim, 5 Drawing Sheets







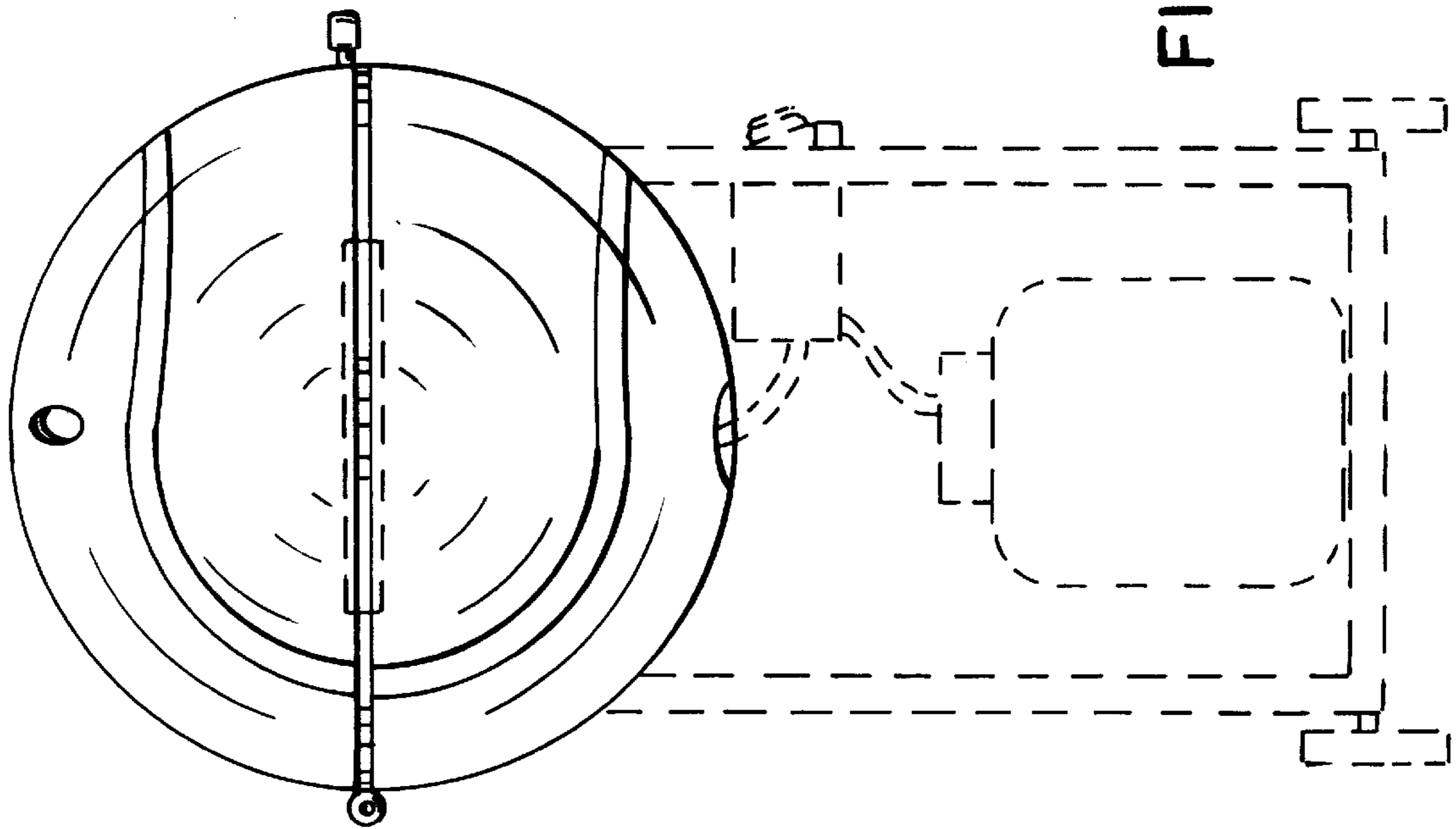


FIG. 3

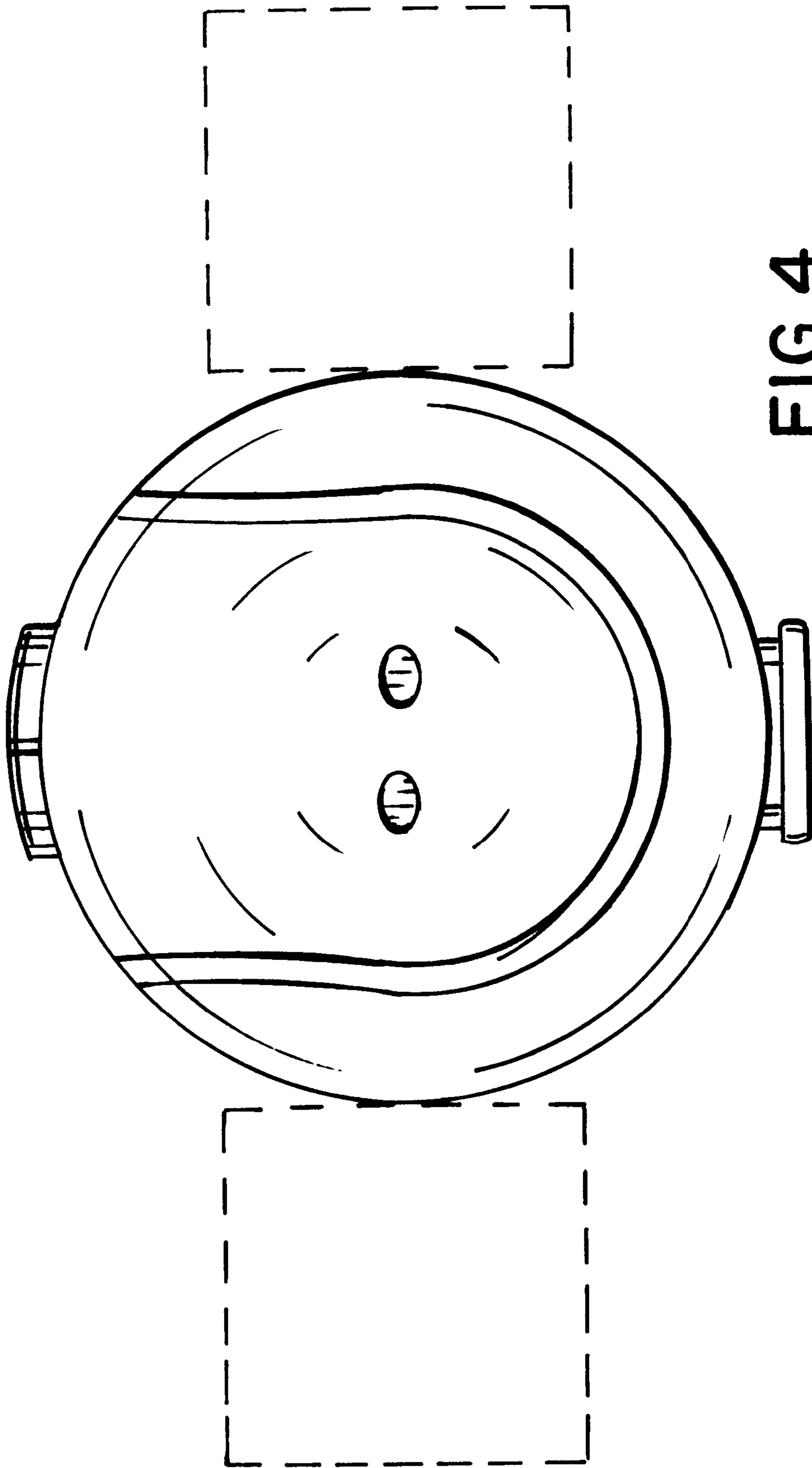


FIG. 4

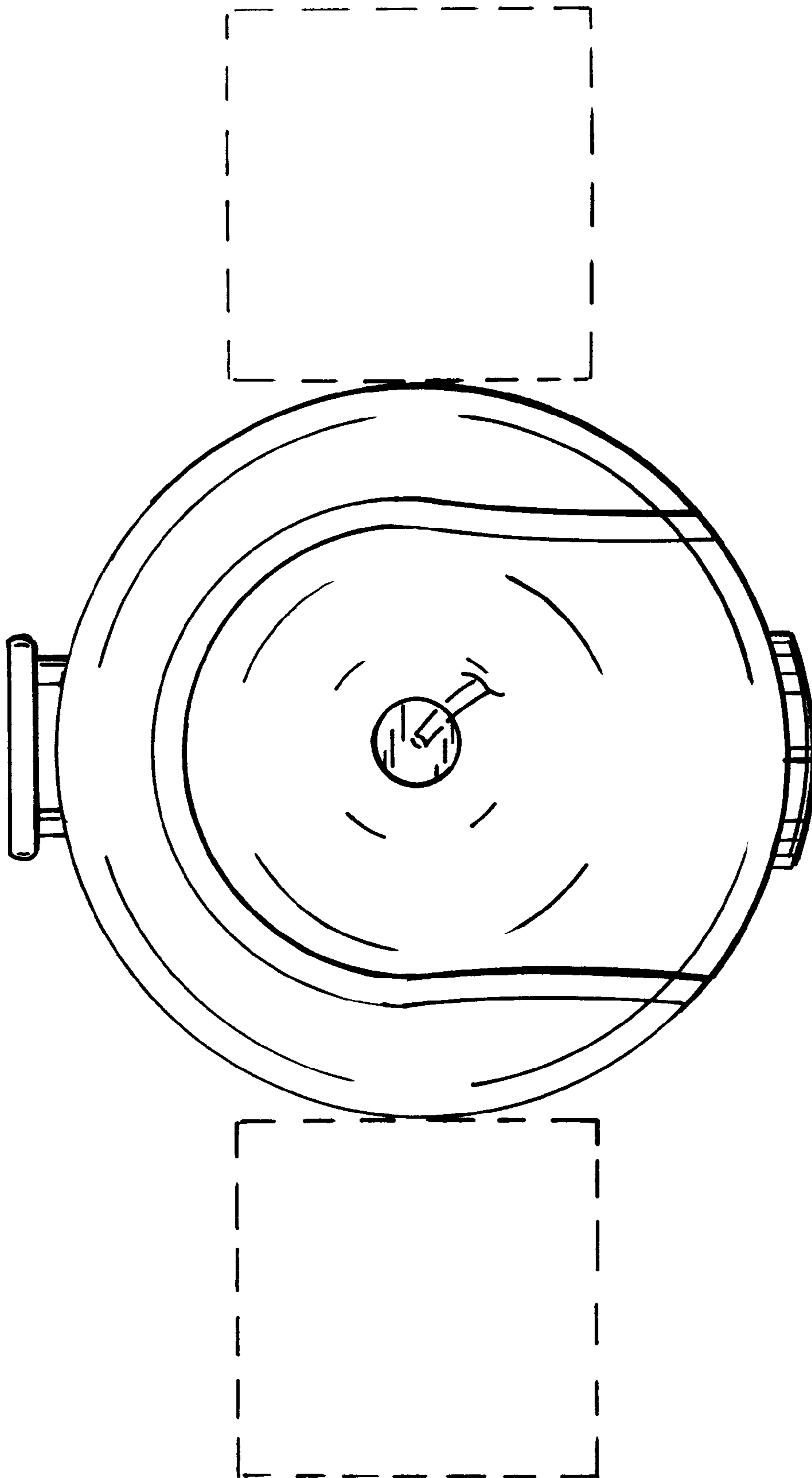


FIG. 5